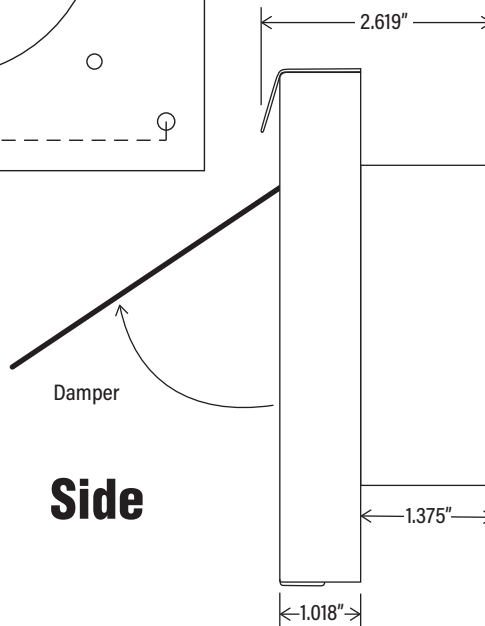
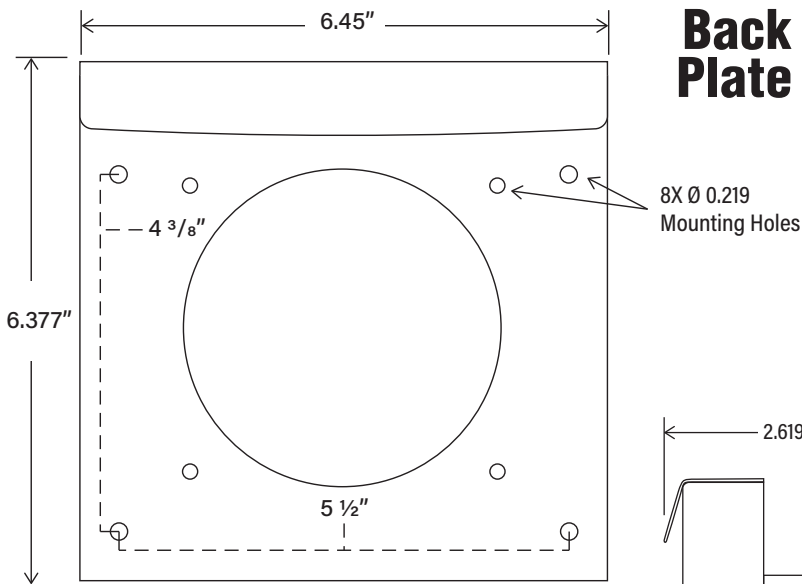
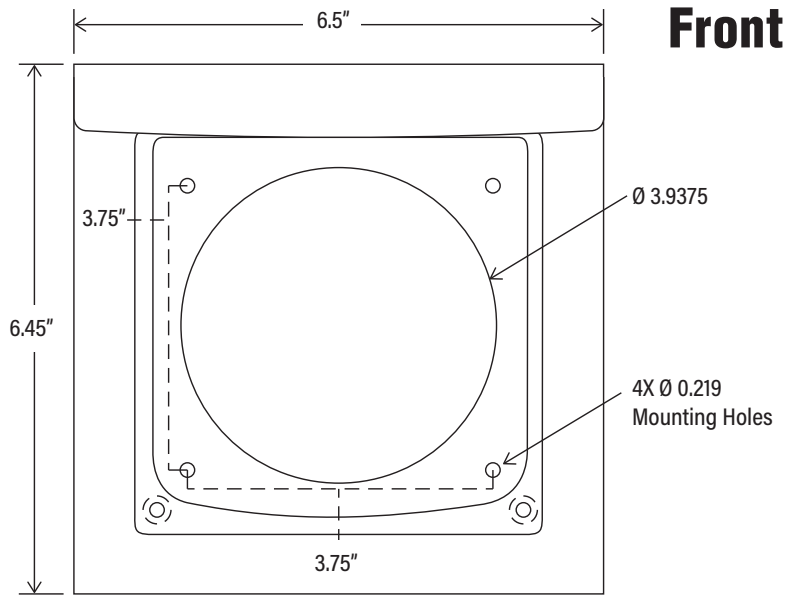




# Technical Product Specifications



Model Number	Color
DWV4W	White
DWV4T	Tan
DWV4B	Brown
DWV4K	Black

## Performance Data

### Product Use:

- Venting Dryer Exhaust Systems Through Exterior Walls
- Complies w/ IMC 504.4 & IRC 1502.3

### Materials:

- Heavy Gauge Galvalume® Steel Housing
- Lightweight Gauge Galvalume® Damper
- Polyester TGIC Weather Resistant Powder Coating

## General Information

### Benefits:

- Improves Aesthetics with Flush Installation
- Installs Easily in New and Existing Construction
- Simplifies Duct Cleaning with Easy Accessibility
- Deters Bird and Rodent Entry
- Maximizes Airflow Efficiency
- Helps Minimize Dryer Cycle Times
- Extra Protection Against the Elements

### Features:

- Deep Drawn Manufacturing Process
- Galvalume® & Powder Coated Steel Construction
- Lightweight Damper and Heavier Frame
- Recessed Gravity Damper & Integrated Magnets
- Integrated Secondary Back Plate with Wider Mounting Holes
- Built-in Drip Edge
- Damper Opens Freely to 110°
- Low Strength Closure Magnets
- Rubber Bumpers Support Quiet Closing Damper
- Eight Built-in Mounting Holes
- **Stocked in 4 Colors: White, Tan, Brown and Black**

## Manufactured By

InOvate Technologies, Inc.  
 250 S. Central Blvd. Suite 207  
 Jupiter, FL 33458  
 Phone: (888) 443-7937  
 Fax: (561) 745-9723  
<https://dryerwallvent.com>