



**Count on it.**

**Parts Catalog**

**22in Recycler®**

**Lawn Mower**

Model No. 20379—Serial No. 40000000 and Up



# Ordering Replacement Parts

To order replacement parts, please supply the part number, the quantity, and the description of each part desired.

## Understanding Reference Numbers

Each identified part in an illustration has a reference number. The reference number for a part also appears in the parts list, along with other information about the part.

This catalog uses two special reference number formats, one to indicate parts in a service assembly and another to indicate the quantity of a given part in an illustration.

## Service Assembly Reference Numbers

Parts in service assemblies have reference numbers in the form a:b. The a represents the reference number of the entire service assembly and the b represents a sequential number unique to each part within the service assembly.

For example, a wheel assembly might be identified by reference number 6, the tire by 6:1, the valve by 6:2, and the wheel by 6:3. When you order the assembly identified by reference number 6, you receive all parts identified by reference numbers 6:1, 6:2, and 6:3. However, you may also order any part individually. Reference numbers of this type appear in illustration and in parts lists.

## Reference Numbers Indicating Quantity

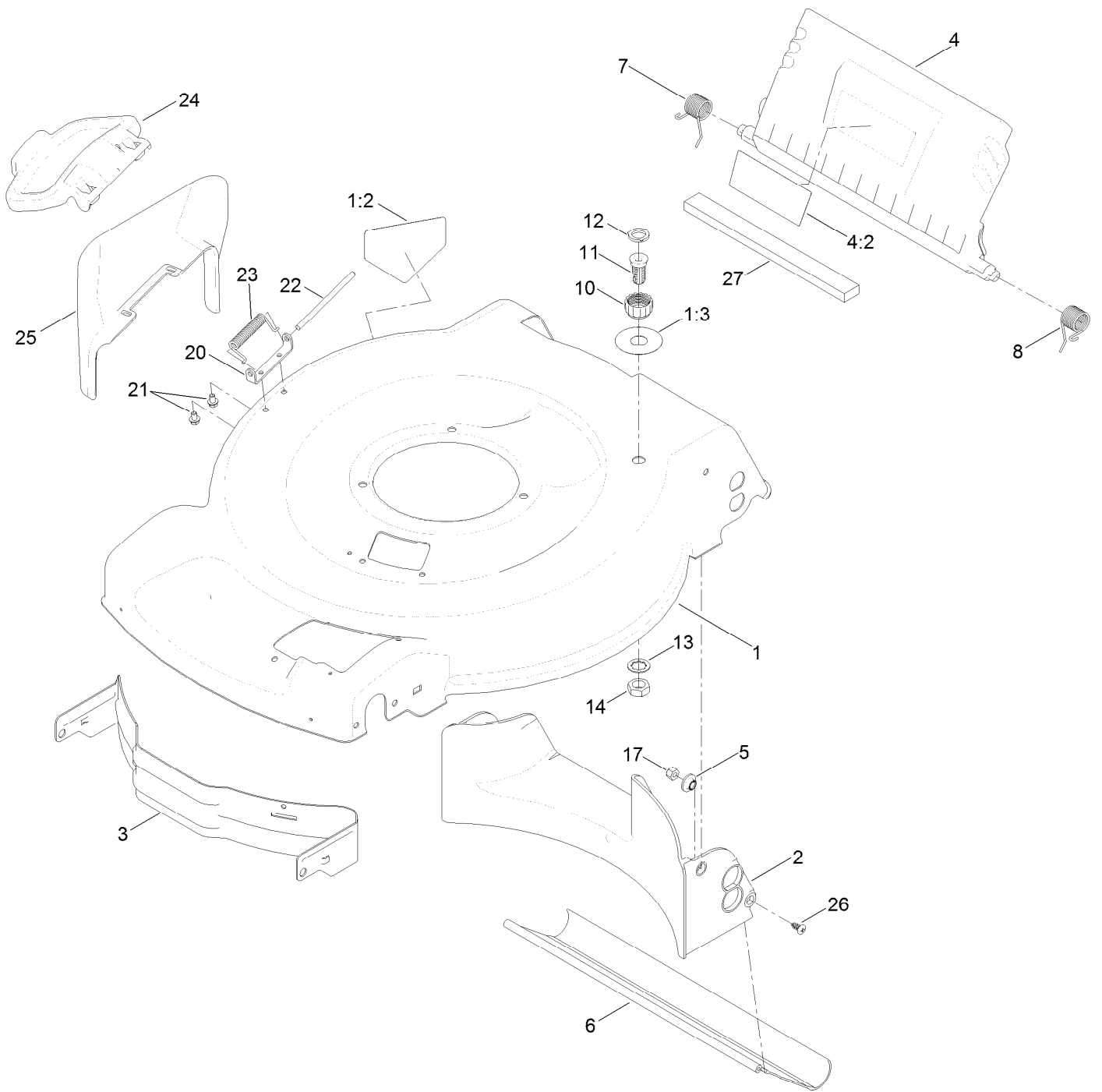
In an illustration, if a reference number indicates more than one part, the reference number has the form nX y. The n represents the quantity of the part, the X is the multiplication symbol, and the y represents the reference number.

For example, in an illustration, the reference number 2X 37 means that two of the parts identified by reference number 37 are indicated.

# Contents

Housing Assembly .....	4
Rear Bag Assembly .....	6
Engine and Blade Assembly .....	8
Transmission and Front Wheel Drive Assembly .....	10
Height-of-Cut and Rear Wheel Assembly .....	12
Handle Assembly .....	14
Attachments and Accessories .....	16

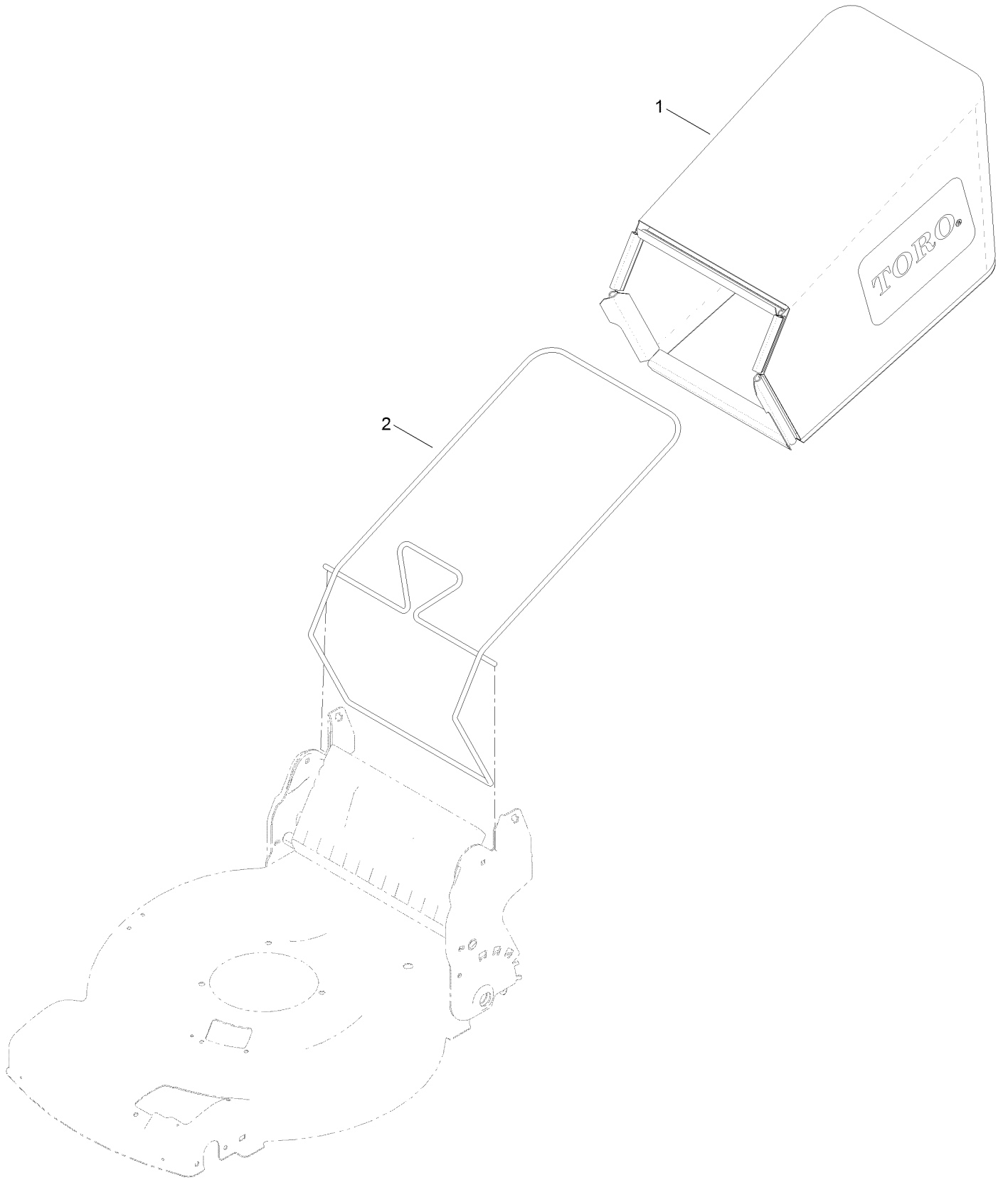
# Housing Assembly



## Housing Assembly (continued)

<i>Ref.</i>	<i>Part Number</i>	<i>Qty.</i>	<i>Description</i>	<i>Ref.</i>	<i>Part Number</i>	<i>Qty.</i>	<i>Description</i>
1	136-7052	1	Housing ASM	11	112-6400	1	Port-Washout
1:2	94-8072	1	Decal-Danger	12	112-6438	1	Washer-Seal, Washout Port
1:3	112-8867	1	Decal-Port, Washout	13	3254-5	1	Washer-Tooth, Internal
2	120-5218	1	Baffle-Rear	14	3218-6	1	Nut-Jam
3	114-7963-01	1	Baffle-Front	17	3296-29	2	Nut-Lock, NI
4	136-7003	1	Rear Deflector ASM	20	112-6416	1	Bracket-Cover
4:2	131-4514	1	Decal-Warning	21	99-8445	2	Screw-HWH
5	117-5991	2	Washer-Stepped, Baffle	22	99-5291	1	Rod-Cover
6	115-8420	1	Shield-Trailing	23	99-5293	1	Spring-Torsion
7	114-7924	1	Spring-Torsion	24	115-8449	1	Deflector-Side
8	115-2859	1	Spring-Torsion	25	115-8447	1	Chute-Discharge, Side
10	112-6401	1	Coupling-Hose, Washout Port	26	117-1092	2	Screw-PTH
				27	117-5924	1	Foam-Seal

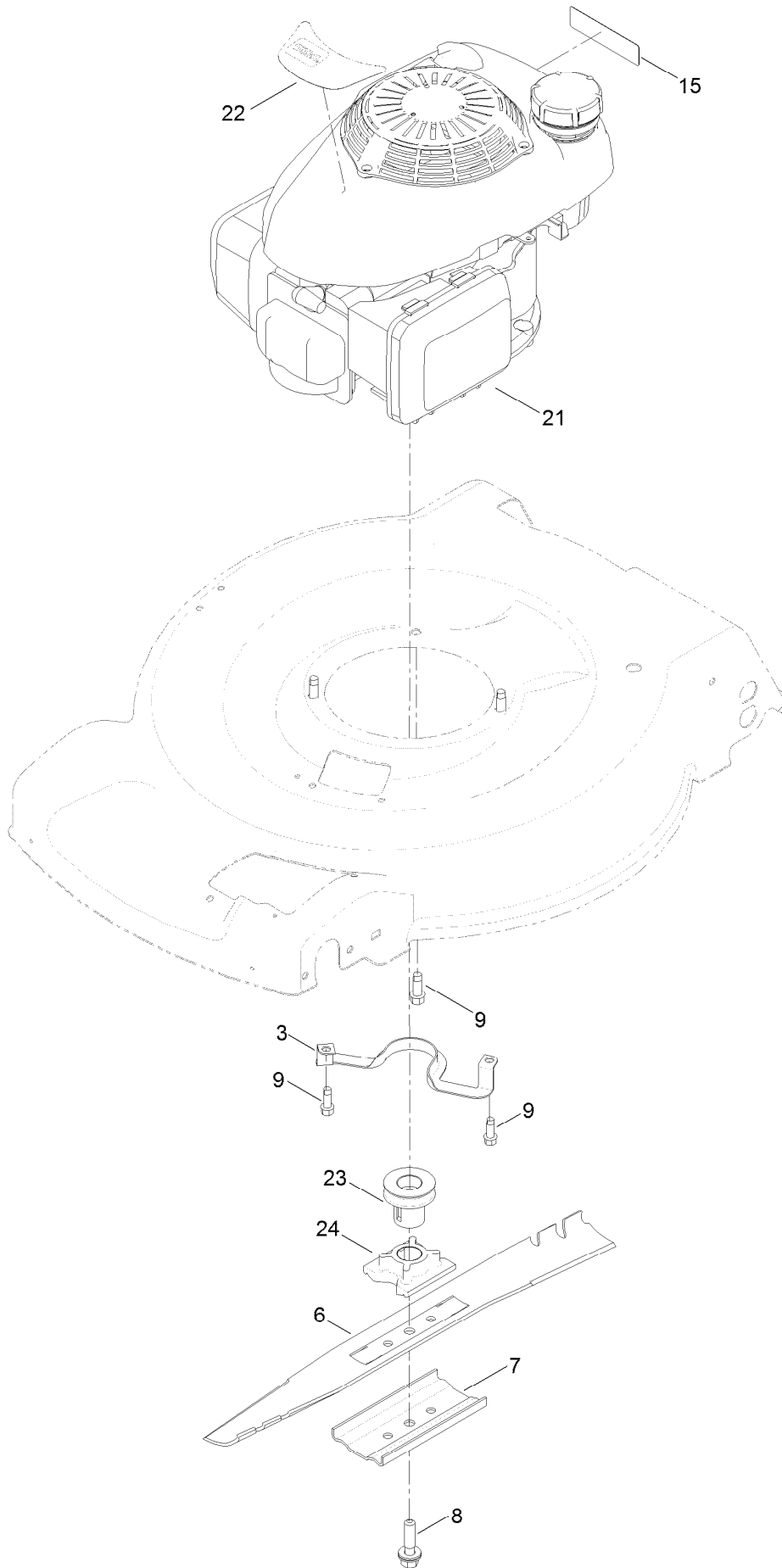
# Rear Bag Assembly



## Rear Bag Assembly (continued)

<i>Ref.</i>	<i>Part Number</i>	<i>Qty.</i>	<i>Description</i>
1	115-4664	1	Grass Bag ASM
2	132-4483-03	1	Frame-Bag

# Engine and Blade Assembly





## Engine and Blade Assembly (continued)

<i>Ref.</i>	<i>Part Number</i>	<i>Qty.</i>	<i>Description</i>	<i>Ref.</i>	<i>Part Number</i>	<i>Qty.</i>	<i>Description</i>
3	105-3031-03	1	Guide-Belt	21		1	Engine-Honda, Gcv160La0
6	131-4547-03	1	Blade-22 Inch				S3B ●■
7	108-3766-03	1	Support-Blade	22	131-0854	1	Decal-Shroud, Honda
8	117-5270	1	Bolt-Blade	23	130-6684	1	Pulley
9	95-1726	3	Screw-Taptite	24	130-6674	1	Retainer-Blade
15	117-2718	1	Decal-Arrester, Spark				

● Not serviced separately

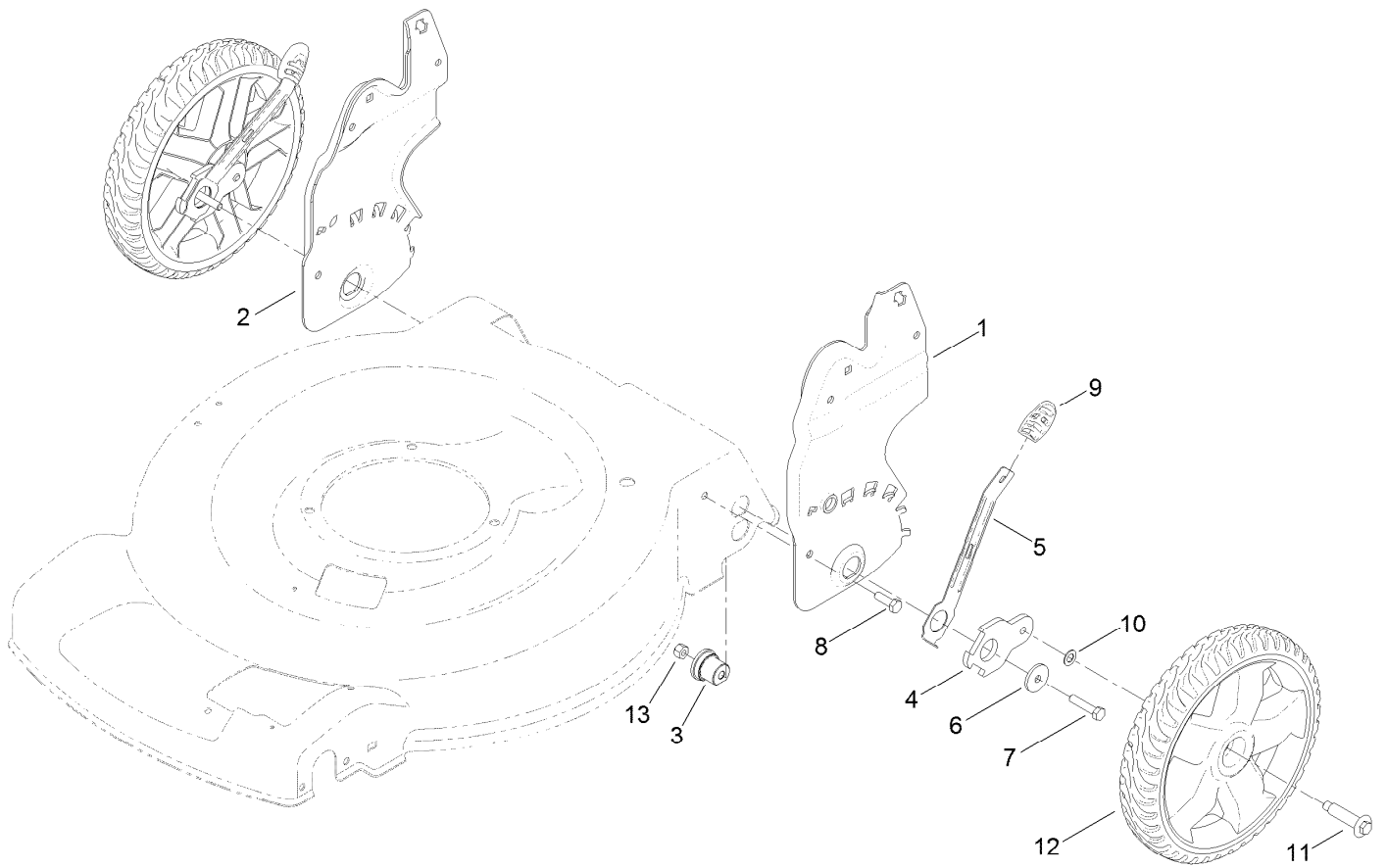
■ Obtain parts from [www.honda-engines.com](http://www.honda-engines.com)



## Transmission and Front Wheel Drive Assembly (continued)

<i>Ref.</i>	<i>Part Number</i>	<i>Qty.</i>	<i>Description</i>	<i>Ref.</i>	<i>Part Number</i>	<i>Qty.</i>	<i>Description</i>
1	115-1305	1	Cover-Belt	11	32151-36	2	Ring-Retaining
2	46-8091	2	Screw-HWH	12	105-3042	2	Knob-Lever, HOC
3	115-1956-03	2	Plate-HOC, Front	13	322-3	4	Screw-HH
4	131-0836	2	Retainer-Bearing, HOC	14	3296-29	4	Nut-Lock, NI
5	105-1807	2	Arm-Pivot, Front	15	130-6733	1	Transmission ASM
6	105-1809	2	Arm-Spring	16	114-7978-03	1	Bracket-Transmission
7	127-6840	2	Wheel Cover ASM	17	110-7191	2	Washer-Thrust
7:2	614426	1	Washer-Stepped	18	32151-61	2	Ring-Retaining
8	614650	2	Bolt-Shoulder	19	108-7476	3	Screw-Plastite
9	119-0311	2	8 Inch Wheel ASM	20	131-0896	2	Gear-Pinion, 13T
10	104-8699	2	Bearing-Ball	21	117-1018	1	V-Belt

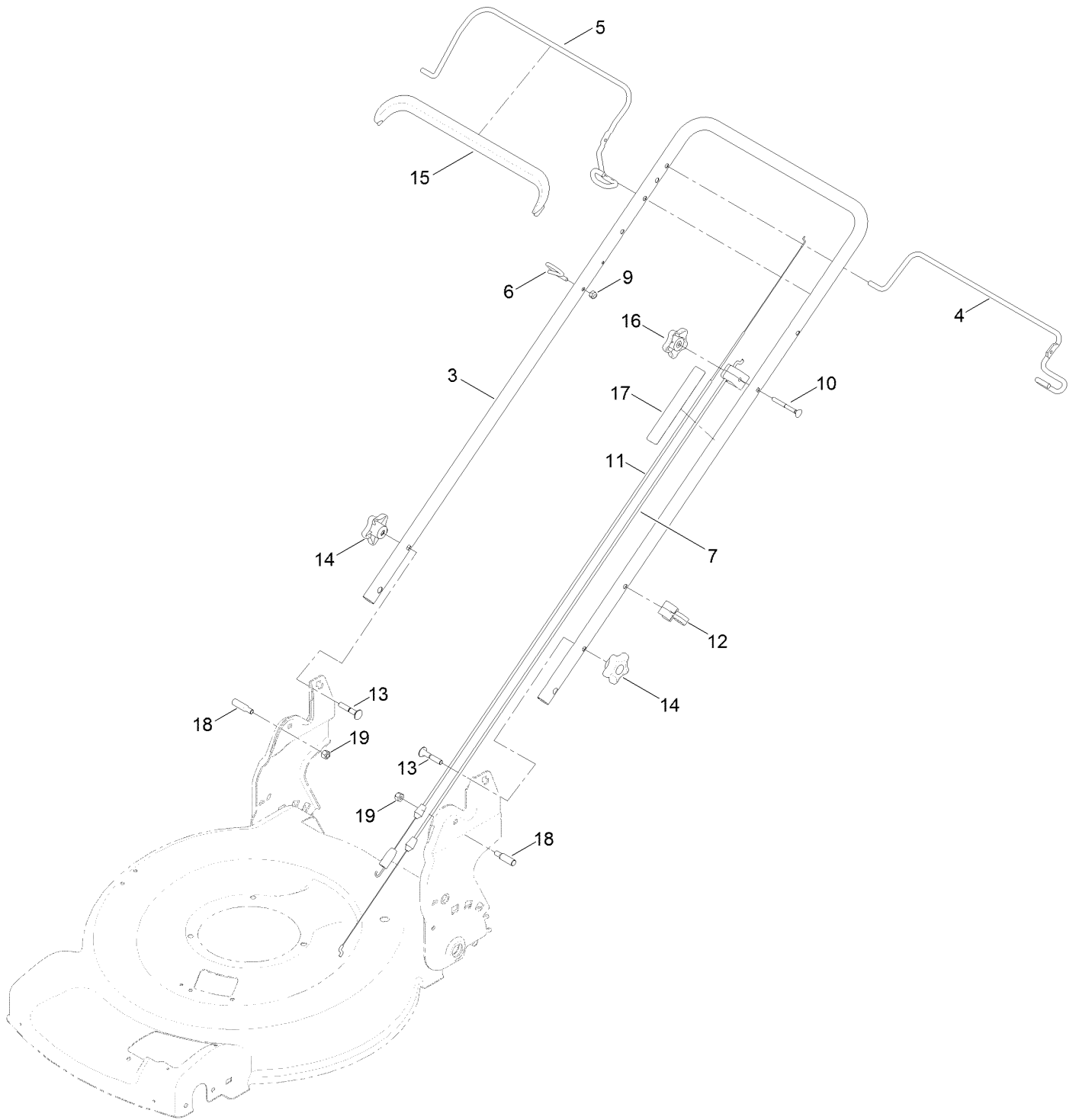
# Height-of-Cut and Rear Wheel Assembly



## Height-of-Cut and Rear Wheel Assembly (continued)

<i>Ref.</i>	<i>Part Number</i>	<i>Qty.</i>	<i>Description</i>	<i>Ref.</i>	<i>Part Number</i>	<i>Qty.</i>	<i>Description</i>
1	132-4490-03	1	Plate-HOC, LH	8	322-5	2	Screw-HH
2	132-4491-03	1	Plate-HOC, RH	9	105-3042	2	Knob-Lever, HOC
3	115-4651	2	Bushing-Mount, HOC	10	40-1940	2	Washer
4	114-7997	2	Arm-Pivot, Rear	11	614650	2	Bolt-Shoulder
5	115-2899	2	Arm-Spring, Rear	12	119-0313	2	11 Inch Wheel ASM
6	105-3048	2	Washer-Flat	13	3296-29	2	Nut-Lock, NI
7	322-7	2	Screw-HH				

# Handle Assembly



## Handle Assembly (continued)

<i>Ref.</i>	<i>Part Number</i>	<i>Qty.</i>	<i>Description</i>	<i>Ref.</i>	<i>Part Number</i>	<i>Qty.</i>	<i>Description</i>
3	131-4598-05	1	Handle	12	114-7988	1	Guide-Cable
4	131-0835-03	1	Bail-Traction	13	131-9663	2	Screw-CARR
5	131-0821-03	1	Bail-Brake	14	117-5976	2	Knob-Handle
6	86-9671	1	Guide-Rope	15	127-6847	1	Cover-Bail
7	136-9065	1	Cable-Brake	16	131-0897	1	Knob-Handle, Locking
9	3296-73	1	Nut-Lock, NI	17	132-4470	1	Decal-Traction, Adjust
10	92-2270	1	Screw-Handle	18	131-4591	2	Bolt-Shoulder
11	119-2379	1	Cable-Traction	19	3296-29	2	Nut-Lock, NI

# Attachments and Accessories

## For 20379 22in Recycler Lawn Mower

<b>Product Name</b>	<b>Model/Part</b>
WPM Maintenance Kit, 2014 and Newer .....	130-8134
Replacement Bag .....	59305
Replacement Bag and Frame Kit.....	59307
22 Inch Atomic Blade .....	59534P



**Notes:**

**Notes:**

**Notes:**



**Count on it.**