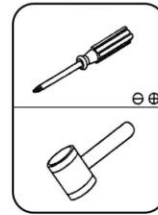
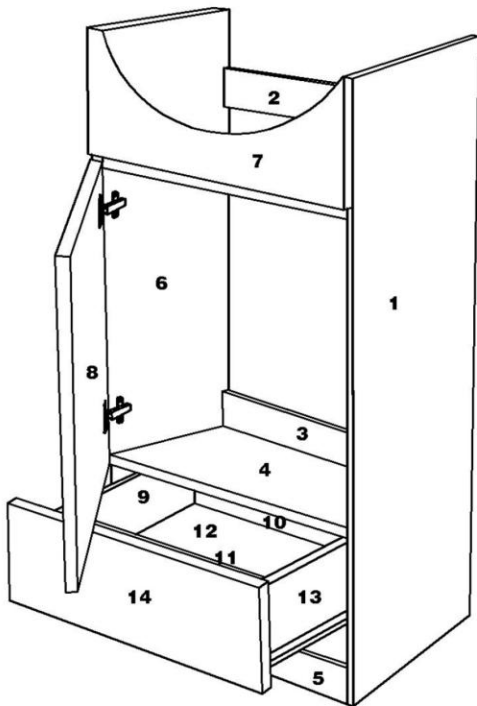
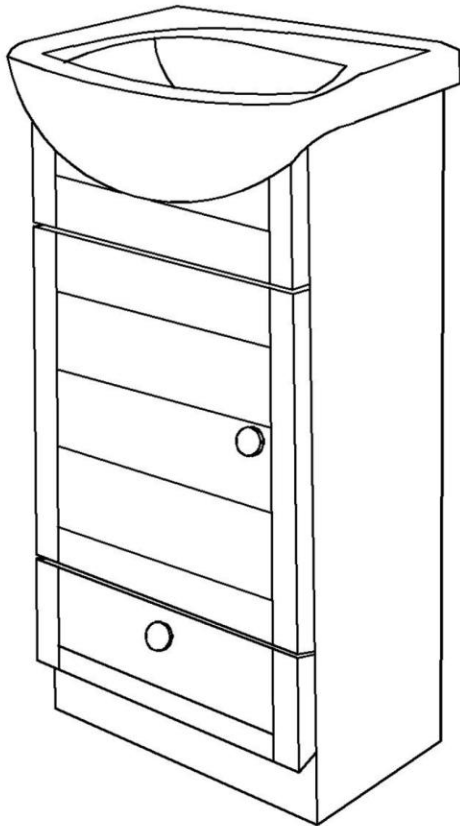




The Renovator's Supply, Inc.
The Most Trusted Source Since 1978
Customer Service: 1-800-659-2211

#21951/#21954/#21955 Assembly Guide



#15 x 12



#16 x 24



#17 x 8



#18 x 24



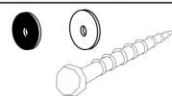
#19 x 2



#20 x 2

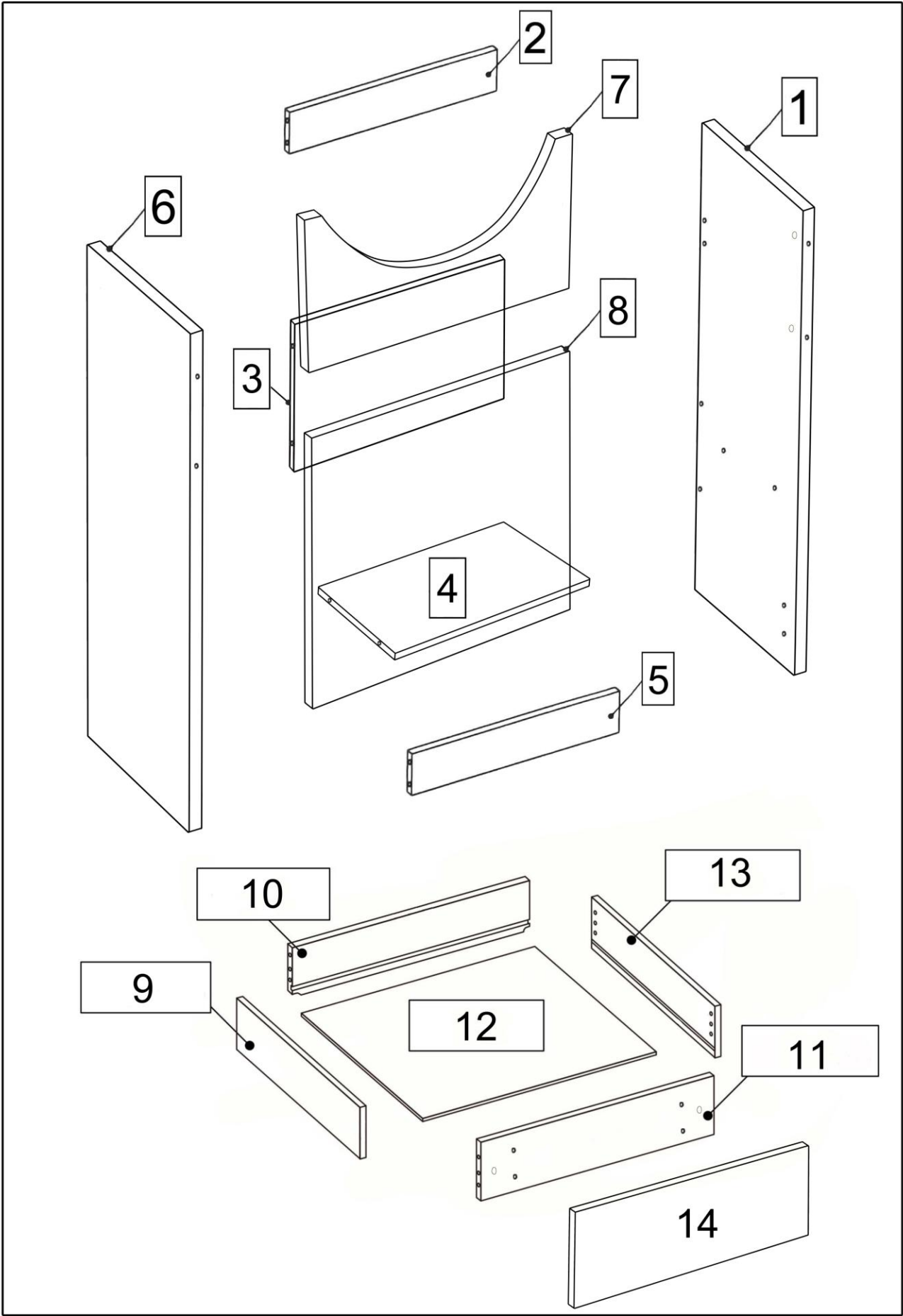


#21 x 4



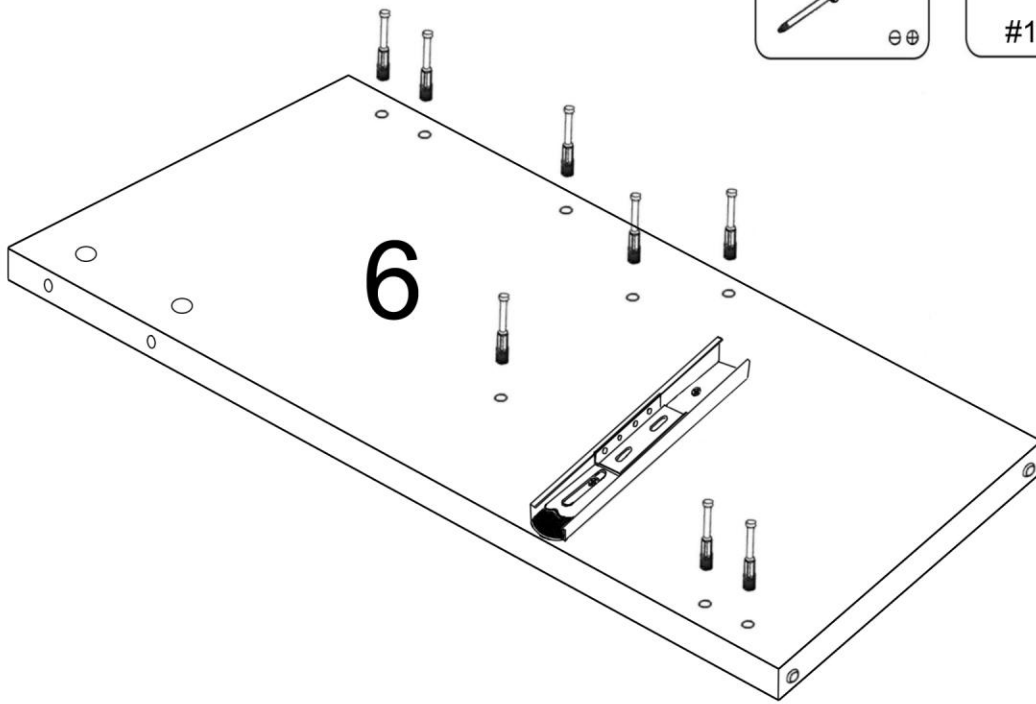
#22 x 2

Wood panels (No 1-14) and hardware package (No 15-22)

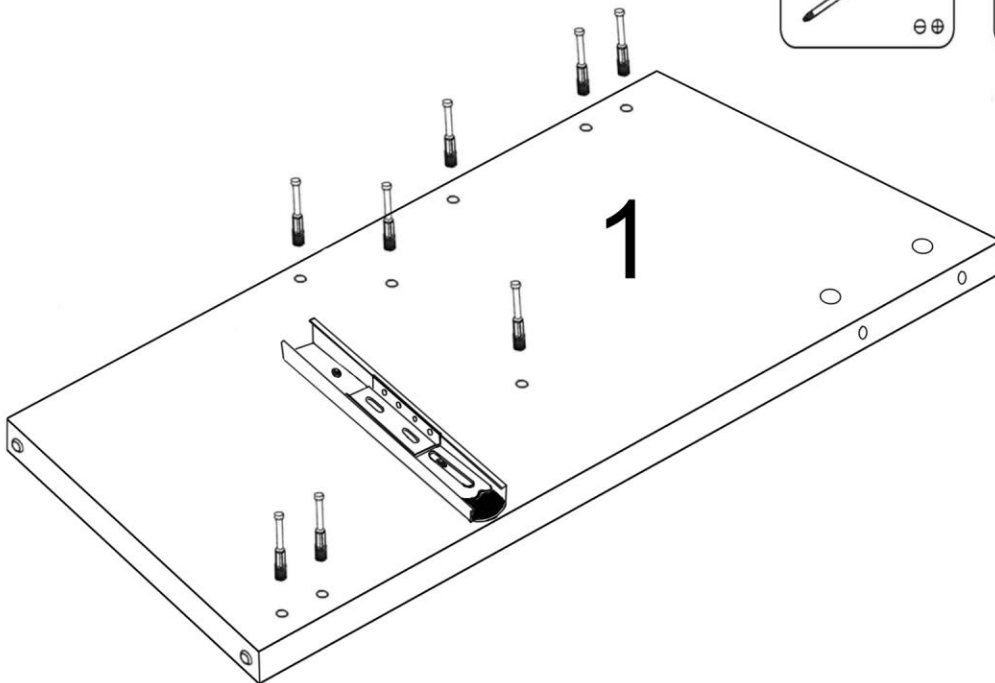
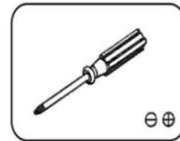


Layout of all panels

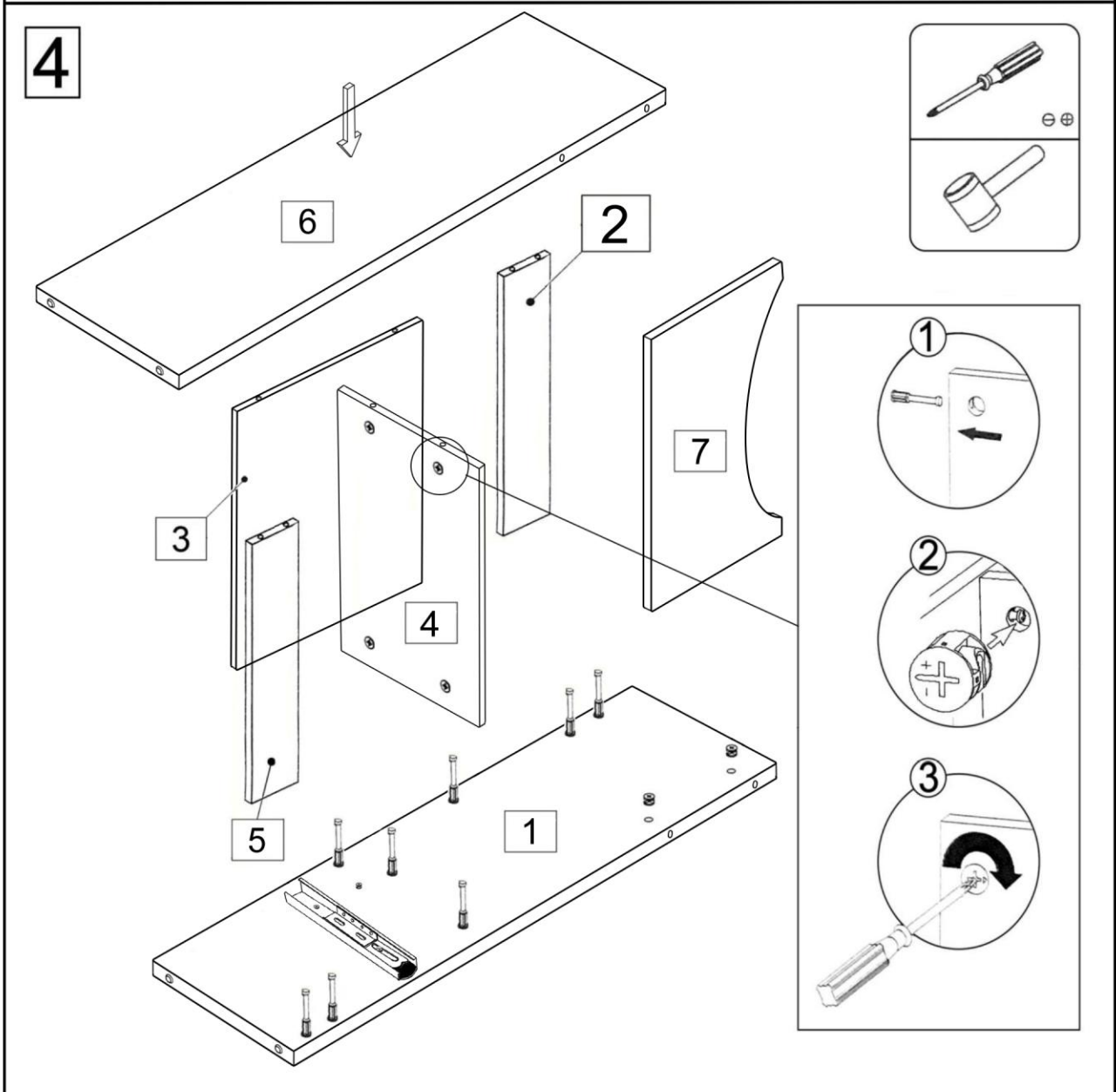
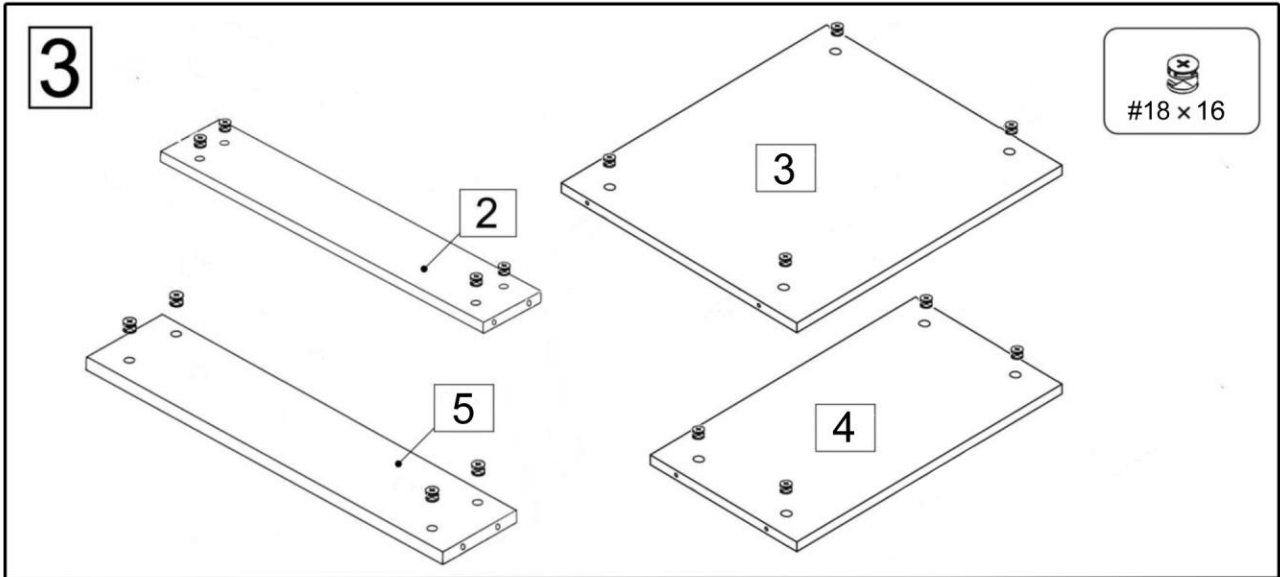
1



2

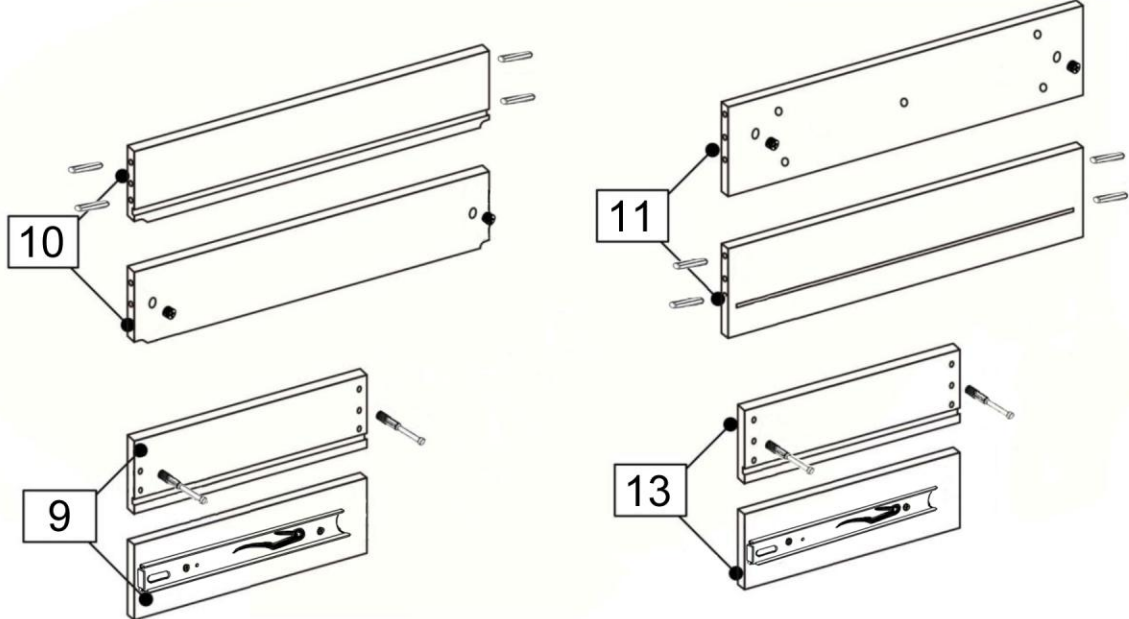
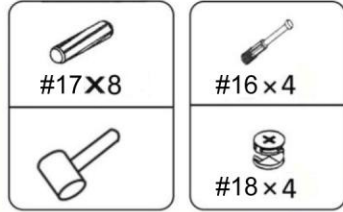


Install No #16 on pre-drilled holes.

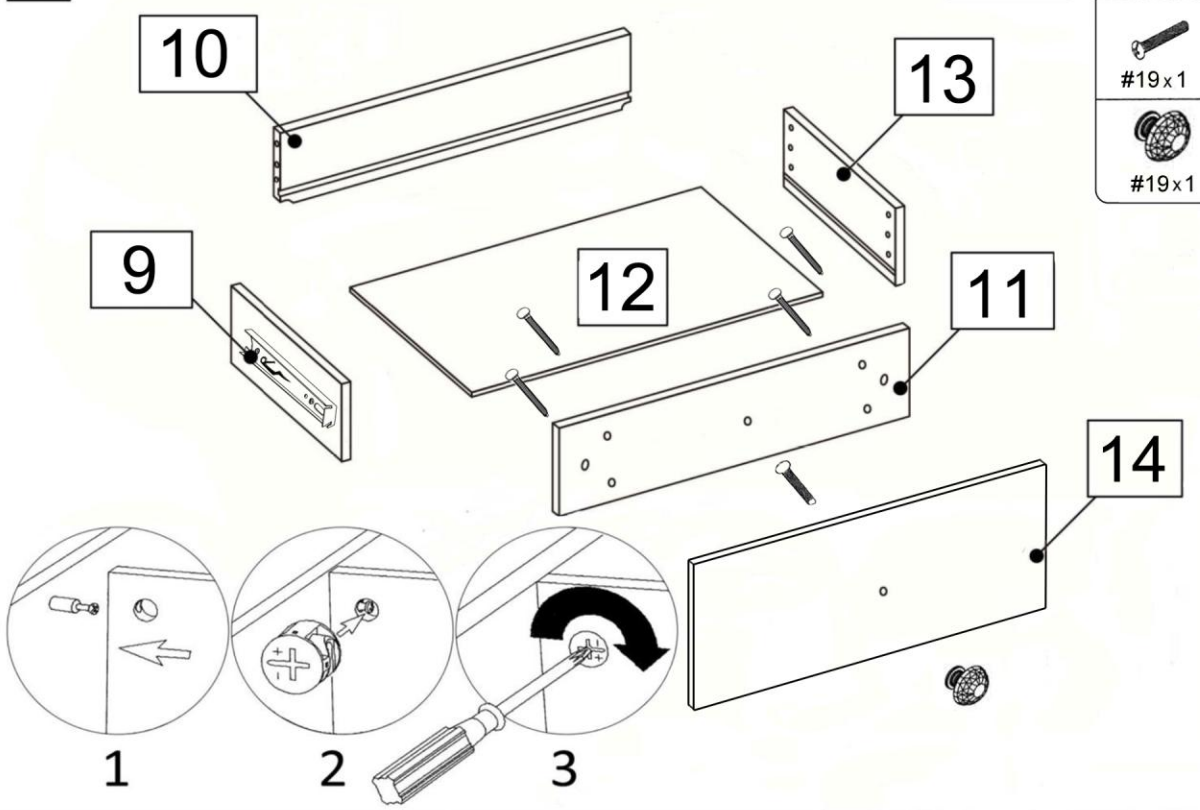
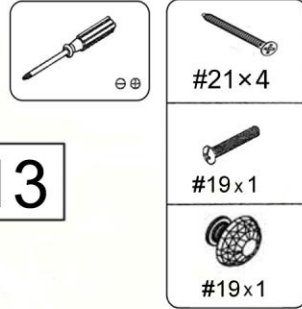


Install panels 2, 3, 4, 5 on to panel 1 with pre-installed connector (#16), then put the panel 6 at the top, screw it up, then put on panel 7.

5

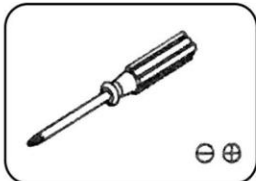


6



Assemble the drawer
 Insert #16 and #17 to panels 9, 10, 11, 13 with pre-drilled holes first, then put panels 9,10,11 together. After that,insert panel 12,then put panel 13 together and screw up. Use screws to joint panel11 and panel 14, install the knob as last step here.

7



#15×4



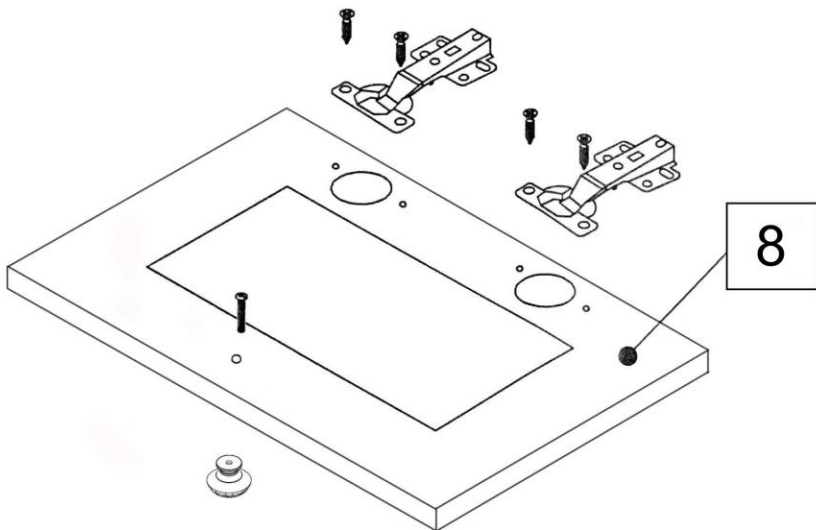
#20×2



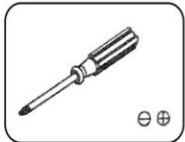
#19×1



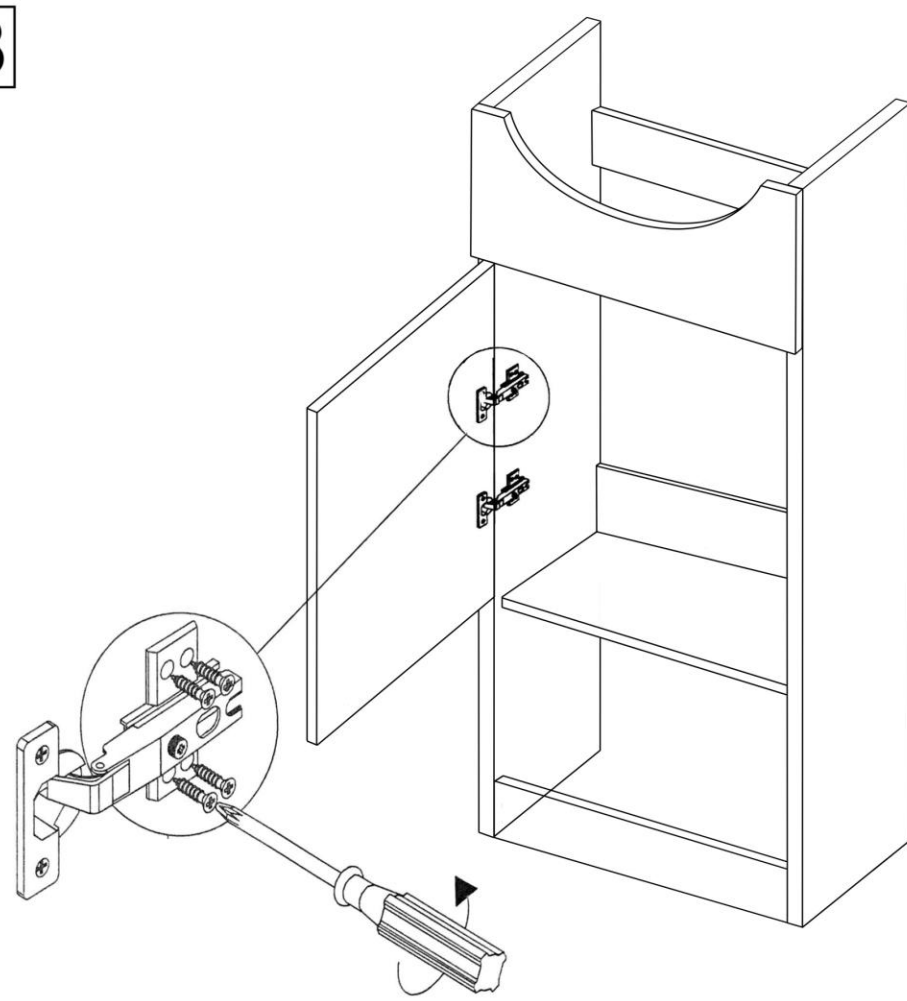
#19×1



8

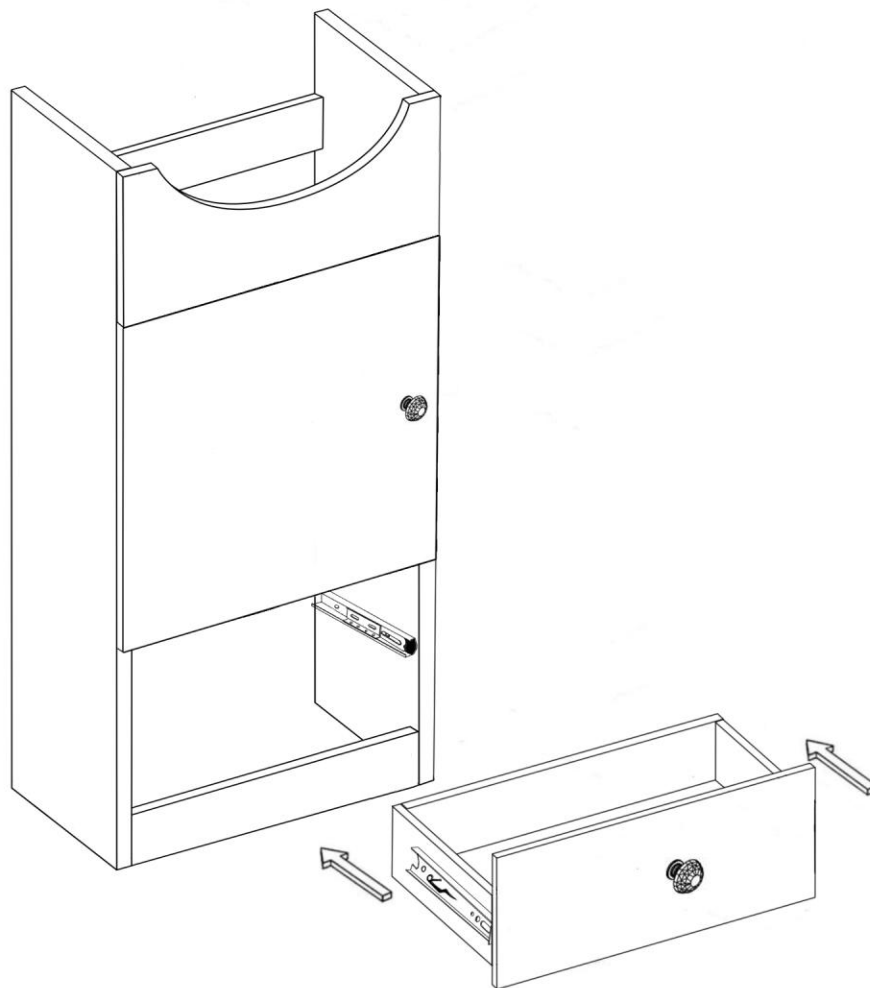
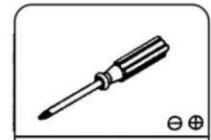
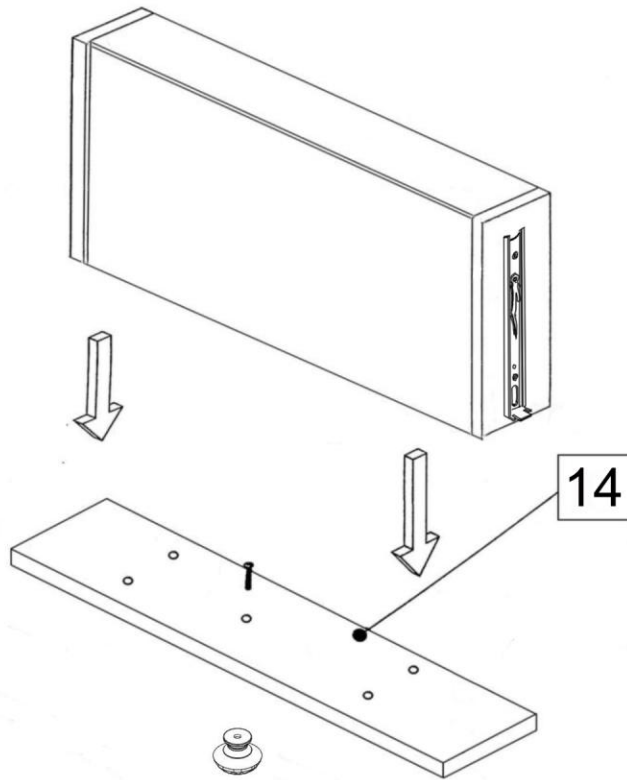


#15×8

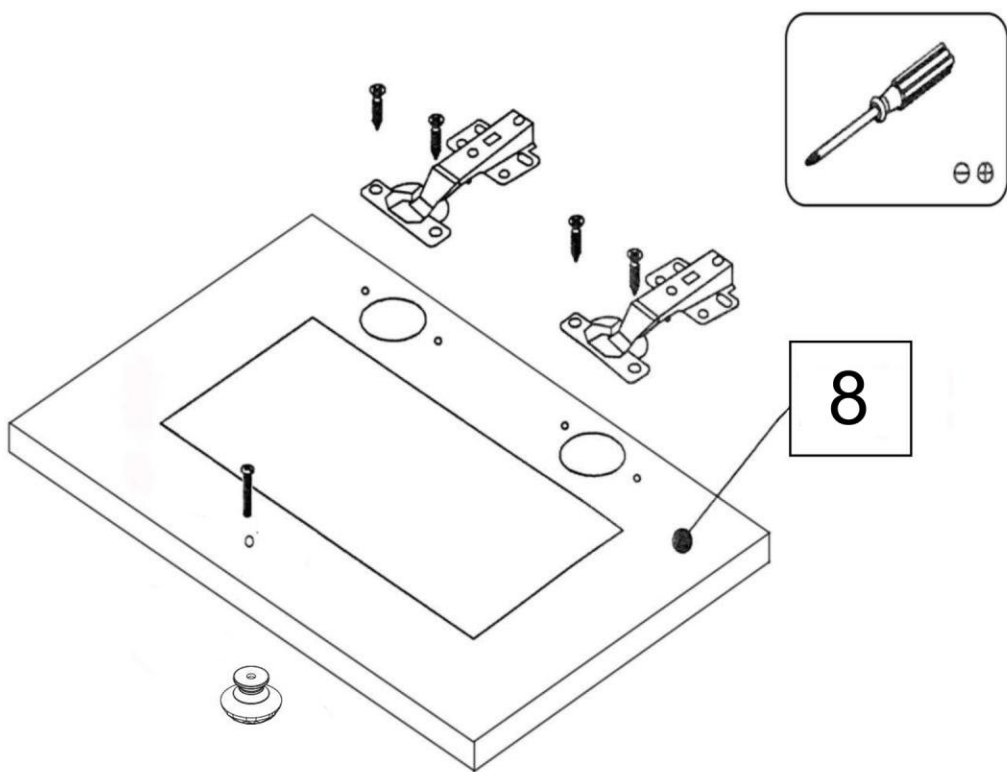



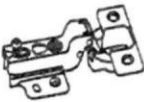


Install #20 (the hinges) to panel # 8 – the front door, install the door knob (#19), put Panel 8 to Panel 1 or 6 with predrilled side holes.

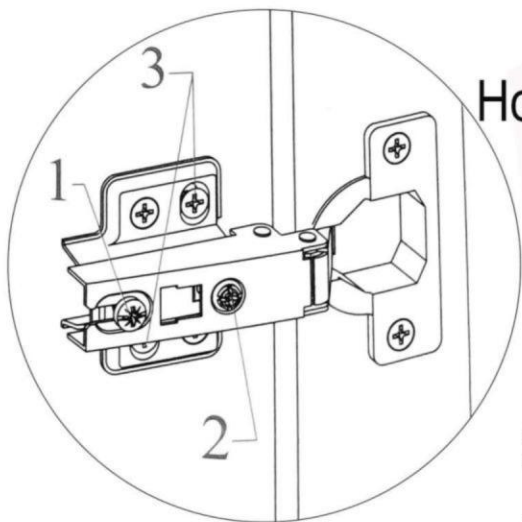
9



Put the assembled drawer into the cabinet, please note keep the drawer on same level for easy assembling.

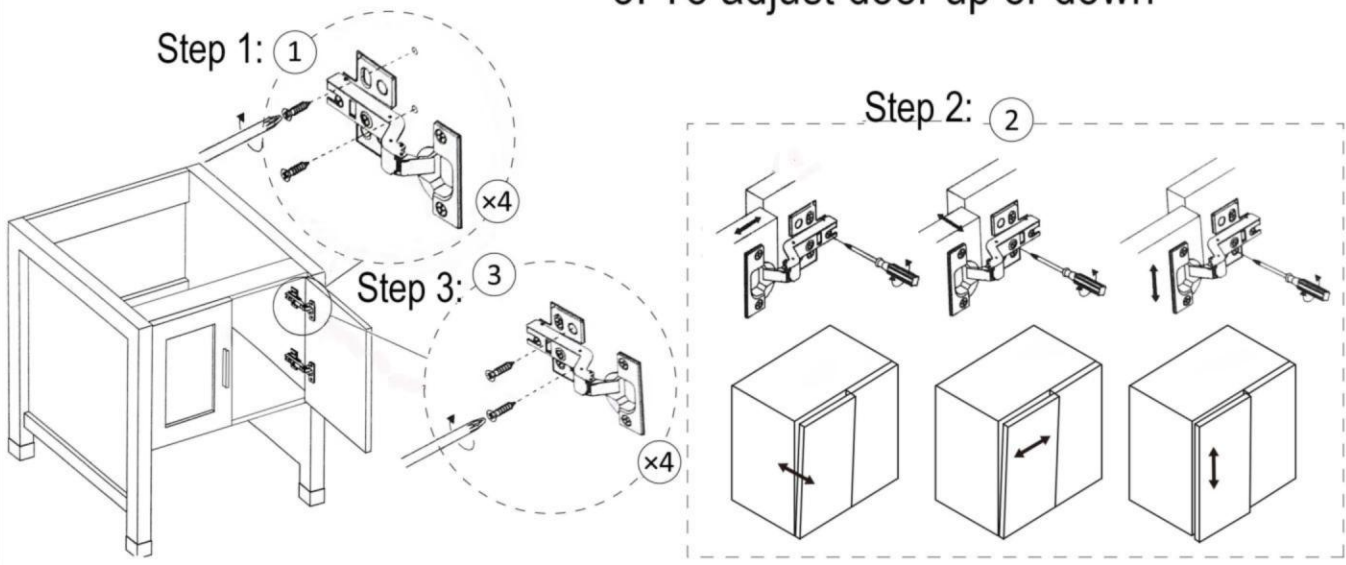


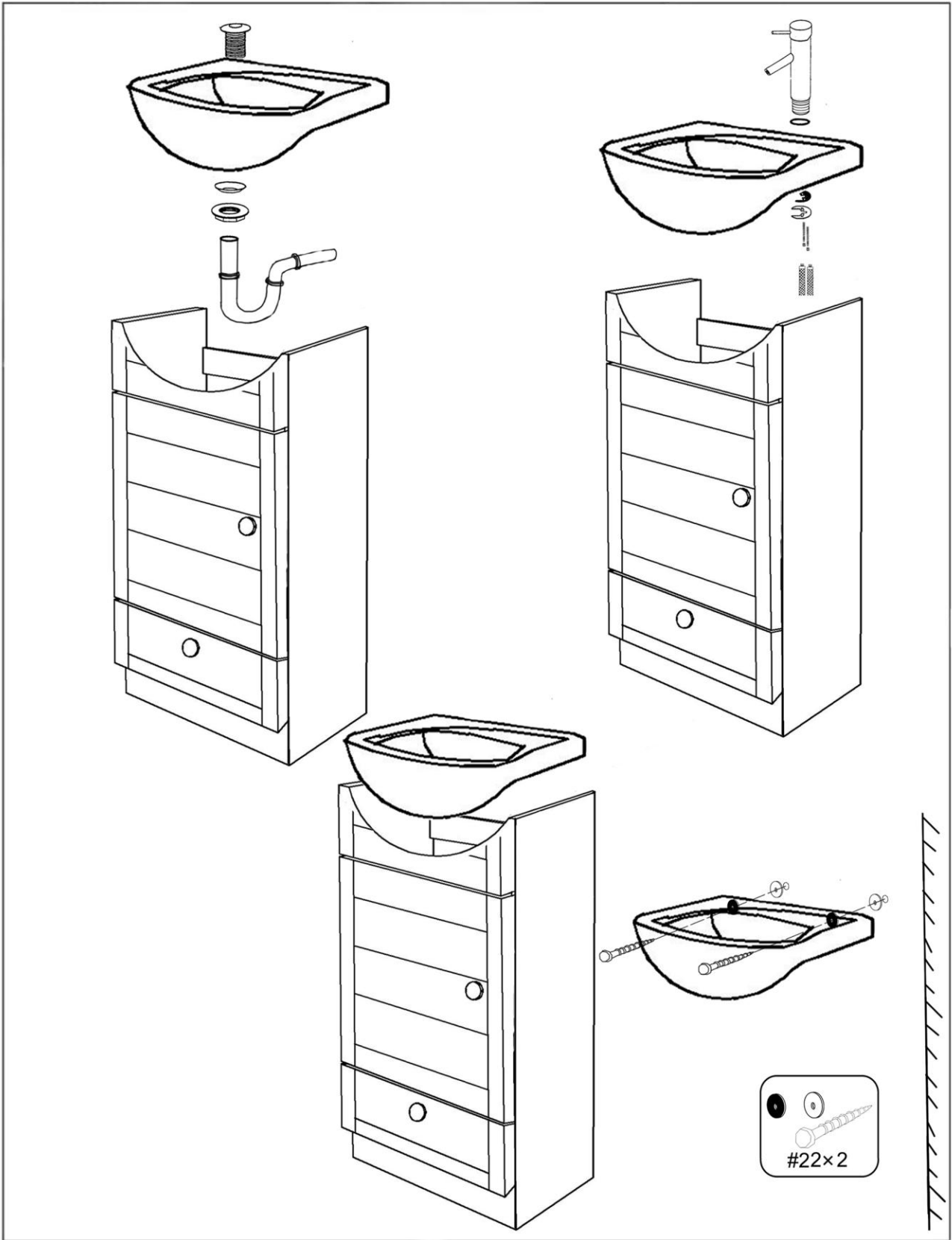
- 
 #15x4
- 
 #20x2
- 
 #19x1
- 
 #19x1



How to adjust hinges on the doors

1. To adjust door forward or backward.
2. To adjust door to right or to left.
3. To adjust door up or down





Install drain, sink and faucet.

Lag sink to wall. It is recommended to fasten sink to wall with provided hardware. Adequate wood backing is required behind finish wall for securing sink.