

**BlueDri** | **PRO**

**AIR MOVER**  
HIGH VELOCITY FAN

**BD PRO-25**  
**1/4 HP**

**OPERATION**  
**SAFETY**  
**SERVICE**  
**WARRANTY**  
**CONTACT**  
**SPECIFICATIONS**  
**TROUBLESHOOTING**



**LOW AMPS**



**3 SPEEDS**



**STACKABLE**



**POWERFUL**



Please **READ** and **UNDERSTAND** this **MANUAL** carefully before using the product in order to **REDUCE** the **RISK** of **INJURY**. **SAVE** this manual for instructions.

# Table Of Contents

Important Safety Instructions	3
Motor Specifications & Electrical Requirements	4
Grounding Instructions	4
Introduction	5
Product Features	5
Unpacking & Checking Of Contents	6
Operating Instructions	6
Maintenance	6
Cleaning	6
User Servicing Instructions	6
Lubrication	7
Storage & Transportation	7
Servicing	7
Limited Warranty	7
Parts List	8
Specifications	9
Troubleshooting	10
Warranty Registration	11

**ATTENTION!**

Read all safety rules carefully before attempting to operate the BD PRO-25. Please retain this manual for future reference.

**NEVER** operate this unit when flammable materials or vapors are present – electrical devices produce arcs or sparks which may cause a fire or an explosion.

**NEVER** operate this unit unattended.

**IMPORTANT SAFETY INSTRUCTIONS**

Your SAFETY is of utmost importance. Please stay alert, use your common sense and know how this air mover works at all times.

While reading through this manual, please note these **IMPORTANT safety signal words:**



**DANGER:** indicates a hazardous situation, which **WILL** result in death or serious injury, if not avoided.



**WARNING:** indicates a hazardous situation, which **COULD** result in death or serious injury, if not avoided.



**CAUTION:** indicates a hazardous situation, which **COULD** result in minor or moderate injury, if not avoided.

**WARNING!**

To reduce the risk of fire, electric shock or injury:

- Read and understand this manual and all labels on the Air Mover before operating the product.
- Use product only as described in this manual.
- To reduce the risk of electric shock, do not expose to rain, immerse in or use in standing water.
- Store indoors only.
- Use only with GFCI-protected outlets.
- When storing or transporting, do not stack air movers more than 5 units high.
- Do not use an extension cord with this air mover.
- Electrical appliances can ignite flammable vapors or dust. Do not use near combustible liquids, gases or dusts.
- Do not leave plugged into outlet when not in use or when servicing. Turn off before unplugging.
- To reduce the risk of stirring up and inhaling toxic vapors, do not use near toxic or hazardous materials.
- Never operate with safety grills removed.
- This unit has an automatically-operated protective device which may shut down the unit during operation. Unplug before servicing or cleaning.
- Do not use with solid state speed control device.
- Do not allow to be used as a toy. Close attention is necessary when used by or near children.
- Do not unplug by pulling on cord. To unplug, grasp the plug, not the cord.
- Do not use with damaged cord, plug or other parts.
- Call customer service if your air mover is not working as it should, has missing parts, has been dropped, damaged, left outdoors or dropped into water.
- Do not pull or carry by cord, use cord as handle, close a door on cord, or pull cord around sharp edges or corners. Keep cord away from heated surfaces.
- Do not run cord under carpeting. Do not cover cord with throw rugs, runners or similar coverings. Do not route cord under furniture or appliances. Arrange cord away from traffic area and where it will not be tripped over.
- Do not handle plug, switch or the air mover with wet hands.
- Do not put any object into air intake openings.
- Keep hair, loose clothing, fingers and all parts of the body away from openings and moving parts.
- Direct air discharge only at work area. Do not direct air at bystanders.

**CAUTION:**

- For dusty operations, wear dust mask.
- Do not move or carry air mover when it is operating.
- Only operate on a level and stable surface to prevent it from falling and possibly causing injury or damage to unit.

Observe the following warnings that appear on the motor housing of your air mover:

**WARNING!**

To reduce the risk of electric shock, connect only to a GFCI-protected outlet. Do not expose to water.

**CAUTION:**

- This fan has an automatic motor shutoff device. It may restart without notice. To reduce the risk of injury, unplug before servicing.
- Do not use an extension cord with this fan.

**WARNING!**

TO REDUCE THE RISK OF TIP-OVER DURING STORAGE OR TRANSPORT, STACK UP TO 5 UNITS HIGH ONLY.

## Motor Specifications & Electrical Requirements

This BD PRO-25 has a 3-speed, 115-volt, 60 Hz induction motor with a grounding conductor. Thermally protected, it will automatically shut down if overheated. The motor will restart automatically once cooled, for as long as it is plugged into a power source.

In the event of a malfunction or breakdown, grounding provides a path of least resistance for electric current to reduce the risk of electric shock. This air mover is equipped with an electric cord having an equipment grounding conductor and a grounding plug. The plug must be plugged into a matching outlet that is properly installed and grounded in accordance with all local codes and ordinances.

Do not modify the plug provided. If it will not fit the outlet, have the proper outlet installed by a qualified electrician.

### CORDS

- Use three-pronged adapters that are UL and CE approved and with Ground Fault Circuit Interrupter (G.F.C.I.).
- Do not use cords that show any kind of wear or damage.
- Cords are not covered by warranty.



**WARNING!** The Total amperage of the BD PRO-25 Air Mover plus all other devices plugged into the receptacle must not exceed 12 amps.

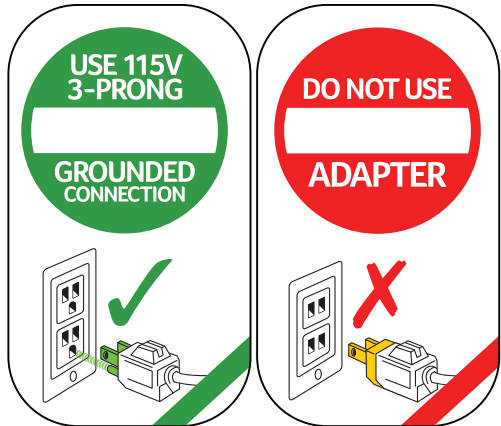
### Grounding Instructions

The BD PRO-25 must be grounded. Should it malfunction or break down, grounding provides a path of least resistance for electric current and reduces the risk of electric shock. This appliance is equipped with a cord that has an equipment-grounding conductor and a grounding plug. The plug must be inserted into a properly installed and grounded outlet, in accordance with all local codes and ordinances.



**WARNING!** Improper connection of the equipment-grounding conductor can result in the risk of an electric shock. Check with a qualified electrician or service person if you are in doubt as to whether the outlet is properly grounded. Do not modify the plug provided with the appliance. If plug does not fit the outlet, have a proper outlet installed by a qualified electrician.

**NOTE:** In Canada, the use of a temporary adapter is not permitted by the Canadian Electrical Code.



## Introduction

Designed to move large volumes of air, the BD PRO-25 can be used for drying wet carpet, furniture and floors and may also be used for ventilation.

## Product Features

Compact yet powerful, the BD PRO-25 is lightweight and perfect for use in crawl spaces, cabinets, closets, or any other cramped areas that need to be dried. The BD PRO-25 is just the right size for small drying jobs.

Since the BD PRO-25 pulls only 2.1 amps on high and has daisy chain capability, up to 5 units can be connected together using just one outlet. This allows the operation of more equipment while creating a dynamic drying vortex.

While the BD PRO-25 is lightweight, mobile and easy to transport, nothing is sacrificed in terms of air moving effectiveness. This is a unit that can be left on overnight for days until the job is completed and dry. **Note:** The unit should not be left unattended for any length of time.

The BD PRO-25 can be daisy-chained with up to five units together to create a unique drying vortex, or the individual units can be directed into difficult-to-reach spots.

As the BD PRO-25 draws only 2.1 amps at its highest setting, it is among the most efficient air movers in the industry.

BALANCED CARRYING HANDLE WITH CORD WRAP

INTAKE GRILL

3 SPEED POWER SWITCH

2 ADDITIONAL DAISY CHAINABLE OUTLETS

CIRCUIT BREAKER BUTTON

EXHAUST OUTLET



**3** OPERATIONAL POSITIONS

0° 45° 90°

SAFETY CERTIFIED

Intertek

**2** YEAR WARRANTY

GROUND PLUG

ROTO MOLDED IMPACT RESISTANT

DAISY CHAINABLE

## Unpacking & Checking Of Contents

Unpack your BD PRO-25 carefully and inspect if all parts are intact. If any of the parts are missing or damaged, please call 844-240-0444 or email [info@bluedripro.com](mailto:info@bluedripro.com).

## Operating Instructions

This BD PRO-25 requires NO ASSEMBLY. The BD PRO-25 is packaged and ready to be put to work.

The BD PRO-25 is intended to be used for drying carpet spills, drying surfaces such as bathroom, garage or room floors, ventilating and circulating air, as well as drying hard-to-reach areas such as under a leaky sink or inside damp cabinets.

1. Place the unit on the surface that needs to be dried.
2. Plug the unit into a grounded outlet .
3. Select the desired speed and position [0°, 45° or 90°].



90° Angle  
Ceiling and Ventilation



45° Angle  
Walls



Horizontal  
Floors and Carpet

## Maintenance



**WARNING:** As with all electrical equipment, the unit must be disconnected from power before servicing or cleaning.

1. Before each use, inspect the unit for damage, blocked inlets and exhaust and for foreign material buildup.
2. When the BD PRO-25 is turned on, inspect the unit for excessive vibration. In the event of excessive vibration or if the fan wheel rubs against the rotomolded housing, immediately turn off the unit and have a certified technician inspect the unit.

## Cleaning



**WARNING:** To reduce the risk of injury from the air mover accidentally starting, unplug power cord before cleaning. The outside of the unit may be cleaned with a damp cloth to remove any dust or residue.

## User Servicing Instructions



**WARNING:** Be sure to disconnect power supply before attempting to service or remove any components. Do not attempt to service your air mover beyond what is described in the user manual. For all other servicing, follow instructions in the Warranty section.

## Lubrication

NO LUBRICATION IS NECESSARY. The motor is equipped with lifetime lubricated bearings.

## Storage & Transportation

1. Before storing your air mover, it should be cleaned.
2. Wrap the power cord around the carry handle on top of the unit to keep it untangled.
3. If you have more than one unit, store units by stacking. Do not stack more than 5 units high.
4. Never operate unit while on its side or while stacked.
5. THE BD PRO-25 SHOULD BE STORED INDOORS.



**CAUTION:**

Do not operate this air mover while stacked on top of each other.  
Do not stack more than 5 units high.

## Servicing

In order to receive service or replacement parts under warranty, you must:

- a. Call BLUE DRI PRO for an RMA (Return Merchandise Authorization Number)
- b. Have your proof of purchase ready.

Upon inspection, we will advise you of the repairs needed and the cost (if applicable). BLUE DRI PRO will issue repair or replacement parts depending on warranty.

## Limited Warranty

Warranty covers against defects in material and craftsmanship under normal intended use to original purchaser for a term of two (2) years from original date of purchase including parts, labor and one-way shipping. Housing is covered for a term of five (5) years from date of original purchase.

**IMPORTANT!**

Warranty does not cover signs of misuse, including (but not limited to) rough handling, abuse, tampering, improper voltage use and unauthorized maintenance or repairs.

## Parts List

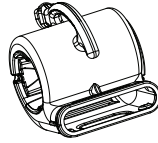
1. Air Intake Grill (Fan Side)



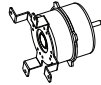
2. Fan



3. Housing



4. Motor



5. Air Intake Grill (Motor Side)



6. Capacitor



7. Switch



8. Power Cord



9. Circuit Breaker



10. Switch Plate



11. Switch Knob



12. Switch Backboard



13. Plug Socket



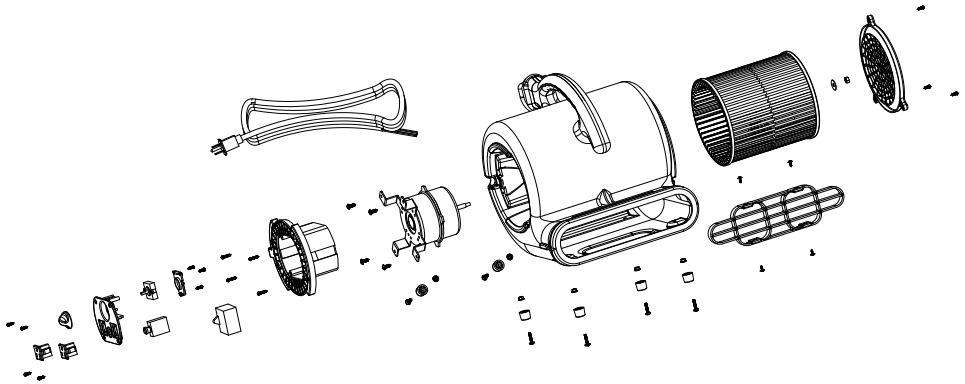
14. Rubber Feet



15. Air Exhaust Grill







## SPECIFICATIONS

Motor 1/4 HP

Amps L 1.7 / M 1.8 / H 2.1 AMPS

Built in Power Outlet 9.5 AMPS

Speeds 3 / Positions 3, 0°, 45°, 90°

Certification C-ETL-US

Daisy Chain Yes / Stackable 5 units

Voltage 115V

Cycle 60Hz

Max Static Pressure 1.3"

Weight Net 11.3 Lbs (12.6 Lbs with box)

Size (LxWxH) 12.8" x 12.4" x 13.3"

Wheel Speed (RPM) L 1060 / M 1370 / H 1600

Attached Cord 10' [FT] 14 AWG

## TROUBLESHOOTING

PROBLEM	POSSIBLE CAUSE	SOLUTION
Unit Not Running	<ul style="list-style-type: none"> <li>a) Switch is OFF</li> <li>b) No Power</li> <li>c) Bad Outlet</li> <li>d) Faulty Switch</li> <li>e) Faulty or Broken Motor Wire or Cord</li> </ul>	<ul style="list-style-type: none"> <li>a) Turn Switch On</li> <li>b) Plug Unit In; Check Circuit Breaker</li> <li>c) Check Outlet/Change To Another Outlet</li> <li>d) Replace Switch*</li> <li>e) Use Volt/Amp Meter to Check On Continuity; Replace Faulty Motor Wire or Cord*</li> </ul>
Running But Making Loud, Grating Noise	<ul style="list-style-type: none"> <li>a) Severe Jolting Causing Blower Wheel To Rub Against Housing</li> <li>b) Severe Jolting Deformed Housing</li> </ul>	<ul style="list-style-type: none"> <li>a) Remove And Replace Damaged Motor Or Motor Mounts, If Needed*</li> <li>b) Replace Blower Wheel Or Damaged Housing*</li> </ul>
Excessive Vibration	<ul style="list-style-type: none"> <li>a) Severe Jolting Caused Motor Shaft To Bend; Unit Is Out Of Balance</li> <li>b) Damaged Blower Wheel Blade</li> <li>c) Build Up Of Dirt On One Side Of Blower Wheel</li> </ul>	<ul style="list-style-type: none"> <li>a) Remove And Replace Motor*</li> <li>b) Replace Blower Wheel*</li> <li>c) Clean Blower Wheel Blades</li> </ul>
Blower Wheel Not Turning	<ul style="list-style-type: none"> <li>a) Blower Wheel Jammed Against Housing</li> <li>b) Broken/Loose Capacitor Wire; Failed Capacitor</li> <li>c) Damaged Housing Is Pressing On Blower Wheel</li> </ul>	<ul style="list-style-type: none"> <li>a) Remove And Replace Damaged Motor Mounts*; Replace Blower Wheel, If Needed*</li> <li>b) Replace Capacitor Wire/ Motor, If Needed*</li> <li>c) Replace Housing/Unit, If Needed*</li> </ul>
Unit Runs But Shuts Off On Overload	<ul style="list-style-type: none"> <li>a) Failing Motor Bearings; Internal Electrical Fault In Motor</li> <li>b) Obstruction In Intake Grill/Exhaust Grill</li> </ul>	<ul style="list-style-type: none"> <li>a) Replace Motor*</li> <li>b) Remove Obstruction</li> </ul>

\*For these issues, please contact factory for further instructions and assistance.

*Thank you for your purchase.*



## Warranty Registration

### ONLINE

Please fill out and submit your warranty form at:

**[www.bluedripro.com/register](http://www.bluedripro.com/register)**



### BY MAIL

**Please complete, mail or fax your product registration card.**

For multiple units, please list serial numbers on a separate sheet.

This warranty card and your bill of sale must be presented for warranty service.

Company name \_\_\_\_\_

Contact name \_\_\_\_\_

Title \_\_\_\_\_

Street address \_\_\_\_\_

City \_\_\_\_\_

State \_\_\_\_\_

Zip \_\_\_\_\_

Phone \_\_\_\_\_

Fax \_\_\_\_\_

Email \_\_\_\_\_

Product serial number \_\_\_\_\_

Date of purchase \_\_\_\_\_

Purchase form \_\_\_\_\_



550 S Ayon Ave  
Azusa, CA 91702  
844-240-0444  
Email: [info@bluedripro.com](mailto:info@bluedripro.com)  
Website: [www.bluedripro.com](http://www.bluedripro.com)



SENDER  
ADDRESS  
HERE

AFFIX  
STAMP  
HERE

MAIL TO  
BLUE DRI PRO  
WARRANTY REGISTRATION  
550 South Ayon Ave  
AZUSA, CA 91702