



Item # THD30140

# THD36280

## USE AND CARE GUIDE

THD30140 - 30" X 15" TRIANGLE TOOLBOX

THD36280 - 36" X 17" TRIANGLE TOOLBOX

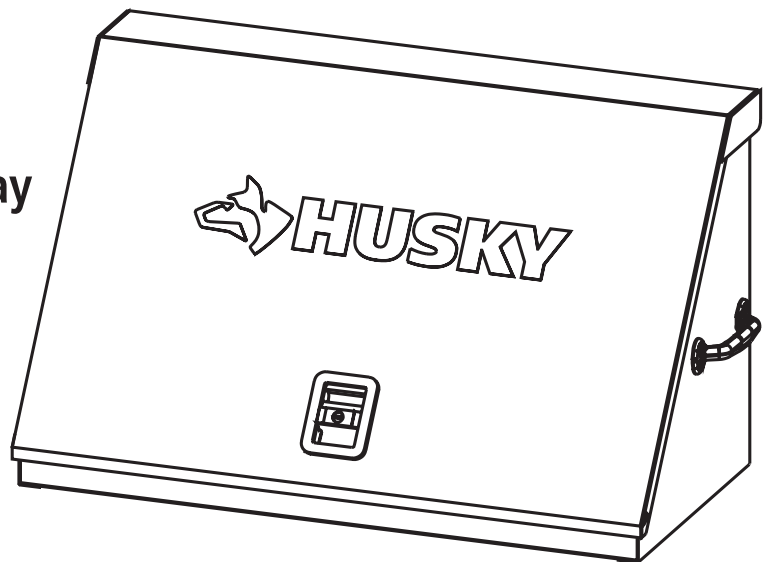
Questions?

Before returning to the store,  
call Customer Service

9 a.m. – 5 p.m., EST, Monday-Friday

1-888-264-3840

[HUSKYTOOLS.COM](http://HUSKYTOOLS.COM)



---

### *THANK YOU*

We appreciate the trust and confidence you have placed in Husky through the purchase of this toolbox. We strive to continually create quality products designed to enhance your home. Visit us online to see our full line of products available for your home improvement needs. Thank you for choosing Husky!

# Table of Contents

---

Safety Information.....	5	Troubleshooting .....	2
Warranty .....	5	Common Parts List .....	3
Maintenance .....	2	Replacement Pars List.....	4

## Maintenance

---

Periodically clean the unit surfaces with mild detergent and water.

Auto wax can be used on painted steel toolboxes to preserve the unit's luster finish and protect against scratches. Apply the wax as you would to a car.

Grease and oil can be removed with most standard cleaning fluids. For safety, use a nonflammable cleaning fluid.

## Troubleshooting

---

The position of the strikers can shift over time, causing problems closing and latching the lid.

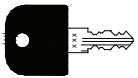
To fix this problem, loosen the screws holding the strikers in position on either side of the toolbox. Adjust the position of the strikers until the lockbar engages the strikers properly when the lid closes. Tighten the screws securely.

When loaded, this toolbox is very heavy. We recommend unloading the box if it is moved to a new location and then reloading. Two person lift is recommended when moving this toolbox.

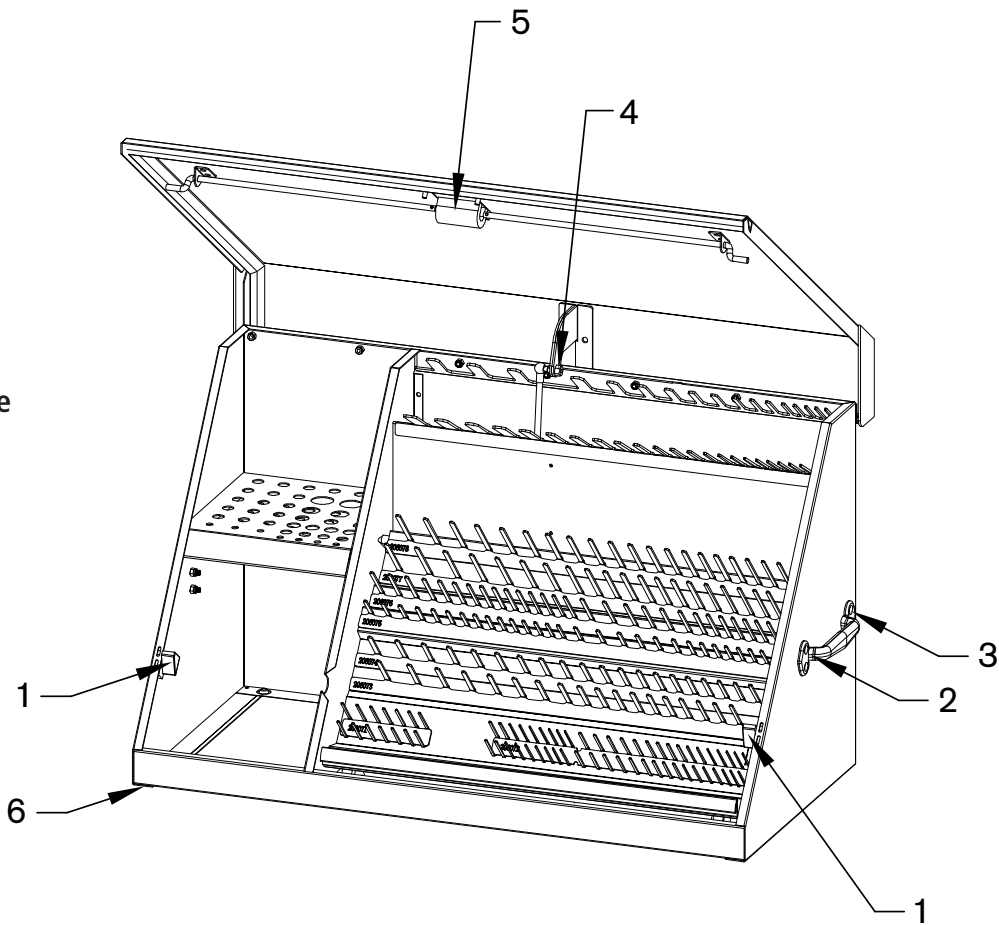


**WARNING**  
Cancer and Reproductive Harm— — [www.P65Warnings.ca.gov](http://www.P65Warnings.ca.gov)

# Common Parts List



The keys are attached to the side panel



REF	DESCRIPTION	PART NUMBER	QTY
1	Striker Kit Set	304015-304016	1
2	Side Handle	306039	2
3	Side Handle Screw	320363	8
4	Lock Nut	323009	qty per gas shock
5	Latch and Key (801–810)	304042	1
6	Waterproof Plug	314017	4

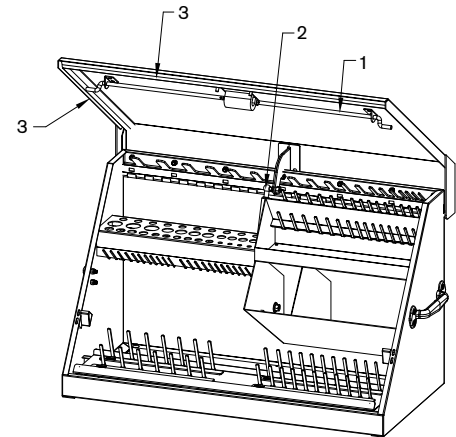
Refer to specific model parts list for parts not shown.

To order replacement parts, email [customerservice@integratedsales.org](mailto:customerservice@integratedsales.org), call 1-888-264-3840 (Monday–Friday, 9:00 am–5:00 pm, EST). Have the part number and quantity ready. Replacement keys may be ordered using the code that appears on the face of the lock. Not all parts are covered under warranty. Those parts not covered can be purchased.

# Replacement Parts List

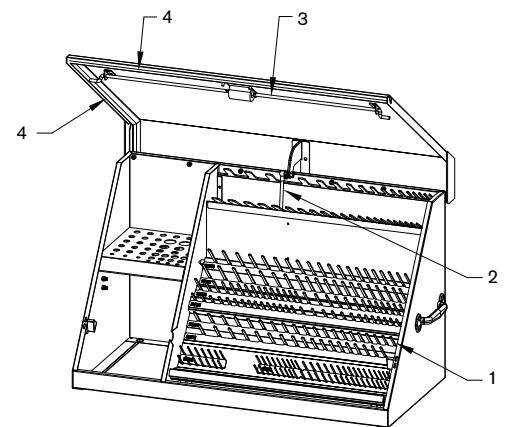
## 30" x 15" Toolbox THD30140

REF	DESCRIPTION	PART NUMBER	QTY
1	Rod	304014	2
2	Gas Shock	303034	1
3	Weatherstripping Kit 1 x 30.3" (770 mm) Weatherstripping 2 x 23.3" (592 mm) Weatherstripping	314013-314016	1



## 36" x 17" Toolbox THD36280

REF	DESCRIPTION	PART NUMBER	QTY
1	Gas Shock	303243	2
2	Gas Shock	303241	1
3	Rod	304019	2
4	Weatherstripping Kit 1 x 36.6" (930 mm) Weatherstripping 2 x 27.4" (697 mm) Weatherstripping	314039-314041	1



Refer to common parts list for general parts not shown.

## Warranty

Husky Triangle Toolboxes have been manufactured to the highest standards of quality and workmanship and are warranted to be free from defects in materials and workmanship under normal use for three (3) years by the original owner. If within three (3) years from date of purchase, any part of the product is found to be defective during normal use, the defective product or part will be replaced at our discretion. This warranty does not cover products that are damaged through shipment, accident, abuse, misuse, commercial/industrial applications or neglect. This warranty also does not cover any losses, injuries or costs including indirect, incidental or consequential damages. Wear items (i.e., locks, strikers, gas struts, lock rods, weather stripping kit) are warranted against defects for (1) one year from date of purchase. This warranty may not be transferred or sold.

Do not ship your product back to the store, or to us, unless we send you written instructions for return. In the event it becomes necessary for your product to be returned, we will notify you how to proceed. A copy of your original purchase receipt must accompany the returned product. A toolbox returned to a store will not be accepted without receiving a documented return authorization approval. Call Husky Customer Service at 1-888-264-3840 for a return authorization approval.

Our obligation to repair or replace defective parts in accordance with the terms set forth herein shall be the buyer's sole and exclusive remedy. We shall not be liable for any damage, for loss of the product or consequential damages of any kind. The company neither assumes nor authorizes any other person to assume for it, any other liabilities beyond the conditions set forth in this warranty, in connection with the product.

This warranty gives you specific legal rights, and you may also have other rights which vary from state to state.

We shall not be liable for, nor shall this warranty include or apply to, any loss or damage caused by or resulting from the following: (1) use of the product in a manner other than as specified in this product manual; (2) use of the product beyond its rated capacity or specifications; (3) modification, alteration or repair not performed by our company or its authorized subcontractors or third parties approved by us; (4) floods, fires, earthquakes, tornado, vandalism or other acts of nature, including windstorms, lightning and hail damage or any other insurable loss under standard fire and extended coverage plans; (5) abuse, misuse, negligent handling, improper or inadequate maintenance, tampering, or accident; (6) accessories, alterations, attachments or other devices not furnished by the company; or (7) failure of buyer to follow operating procedures or the instructions of the company, or to provide a suitable operating environment.

Contact the Customer Service Team at 1-888-264-3840 or visit [www.huskytools.com](http://www.huskytools.com).

## Safety Information

1. The maximum weight this product can hold is 500 lbs (226.8kg) including the weight of the toolbox.
2. Keep the product on level surfaces. The product could become unstable and tip if stored on an uneven surface, which may cause personal injury or product damage.
3. Always wear ANSI approved safety goggles when working with tools and equipment.
4. Make sure the lid is securely closed and that both of the lock rods are engaged before transporting this toolbox. Lock the box during transport.



**CAUTION:** Do not attempt to lift the unit by its side handles using chains, ropes or other lifting devices.



**CAUTION:** Do not stand or sit on the toolbox.



**CAUTION:** Do not alter this toolbox in any manner. This may cause product damage or personal injury.



**CAUTION:** Lock the lid before moving this product.



**Questions? Before returning to the store, call  
Husky Customer Service**

**9 a.m. – 5 p.m., EST, Monday-Friday**

**1-888-264-3840**

**HUSKYTOOLS.COM**

**Retain this manual for future use.**