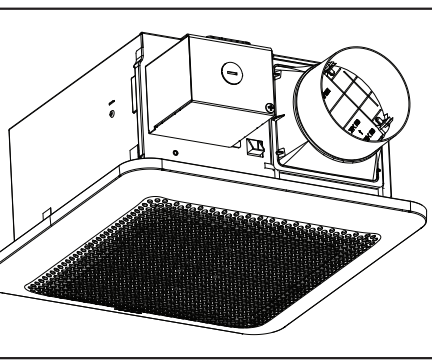


Panasonic

INSTALLATION INSTRUCTIONS

Ventilating Fan

Model No. RG-R811HA



READ AND SAVE THESE INSTRUCTIONS

Thank you for purchasing this Panasonic product. Please read these instructions carefully before attempting to install, operate or service the Panasonic product. Please carefully read the "GENERAL SAFETY INFORMATION". Failure to comply with instructions could result in personal injury or property damage. Please explain to users how to operate and maintain the product after installation and this manual should be presented to users. Please retain this manual for future references.

■ See page 12 for "Panasonic Warranty Sheet".

GENERAL SAFETY INFORMATION

For Your Safety

To reduce the risk of injury, loss of life, electric shock, fire, malfunction, and damage to equipment or property, always observe the following safety precautions.

Explanation of symbol word panels

The following symbol word panels are used to classify and describe the level of hazard, injury, and property damage when the denotation is disregarded and improper use is performed.

WARNING Denotes a potential hazard that could result in serious injury or death.

CAUTION Denotes a hazard that could result in minor injury.

NOTICE Denotes a hazard that could result in property damage.

The following symbols are used to classify and describe the type of instructions to be observed.

! This symbol is used to alert users to a specific operating procedure that must be followed in order to operate this unit safely.

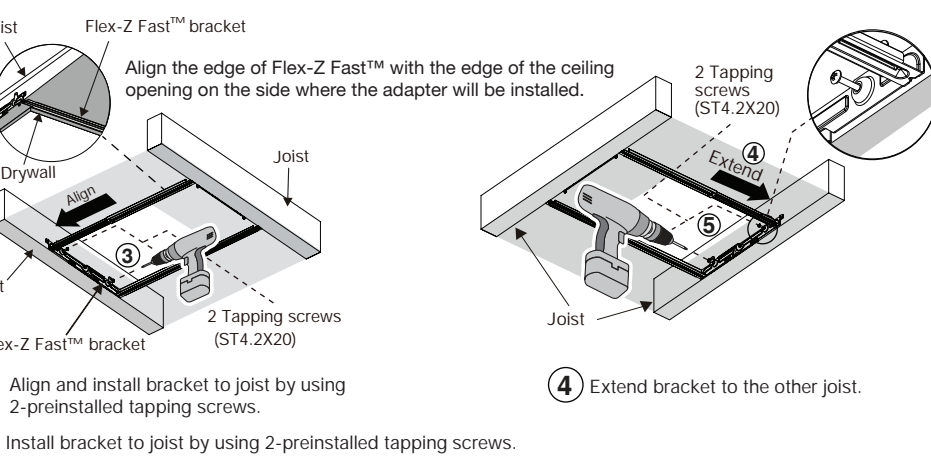
⊘ This symbol is used to alert users to a specific operating procedure that must not be performed.

⊘ This symbol is used to alert users not to disassemble the equipment.

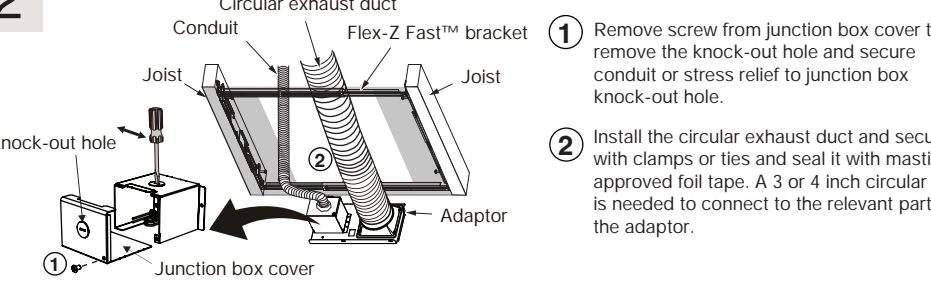
⚡ This symbol is used to alert users to make sure of grounding when using the equipment with the grounding terminal.



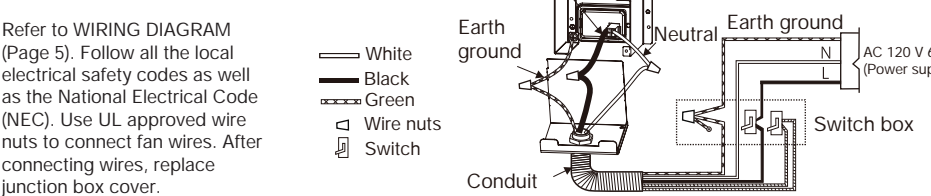
INSTALLATION (RETROFIT) CONTINUED



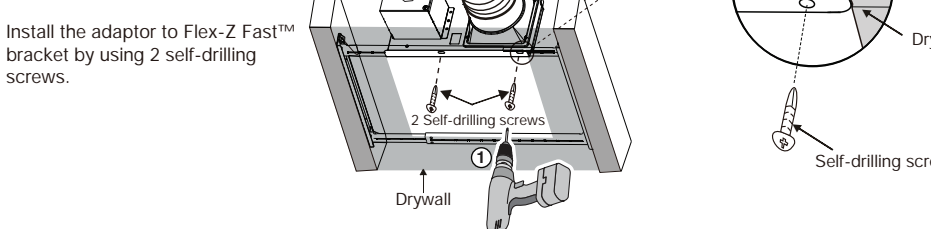
2 Install circular exhaust duct



3 Connect wires



4 Install adaptor



GENERAL SAFETY INFORMATION (CONTINUED)

WARNING

To reduce the risk of fire, electric shock or injury to persons, observe the following:

- 1 Use this unit only in the manner intended by the manufacturer. If you have any questions, contact the manufacturer.
- 2 Before servicing or cleaning unit, switch power off at service panel and lock the service disconnecting means to prevent power from being switched on accidentally. When the service disconnecting means cannot be locked, securely fasten a prominent warning device, such as a tag, to the service panel.
- 3 Installation work and electrical wiring must be done by qualified person(s) in accordance with all applicable codes and standards, including fire-rated construction.
- 4 Sufficient air is needed for proper combustion and exhausting of gases through the flue (chimney) of fuel burning equipment to prevent back drafting. Follow the heating equipment manufacturer's guideline and safety standards such as those published by the National Fire Protection Association (NFPA), and the American Society of Heating, Refrigerating and Air-Conditioning Engineers (ASHRAE) and the local code authorities.
- 5 When cutting or drilling into wall or ceiling, do not damage electrical wiring and other hidden utilities.
- 6 Ducted exhaust fans must always be vented to the outdoors.
- 7 If this unit is to be installed over a tub or shower, it must be marked as appropriate for the application and connected to a GFCI (Ground Fault Circuit Interrupter) - protected branch circuit.

These models are UL listed for tub and shower enclosures.

Do not disassemble the unit for reconstruction. It may cause fire or electric shock.

If this product is no longer to be used, it must be removed from the ceiling to prevent it from falling.

The ceiling joist must be able to withstand a static load of at least five times the weight of the product.

Do not install with a method which is not approved in the instructions.

Do not use this fan with any solid-state speed control device. Solid state controls may cause harmonic distortion which can cause a humming noise in the motor.

This product must be properly grounded.

CAUTION

Do not install this ventilating fan in a location where the interior room temperature may exceed 104 °F (40 °C).

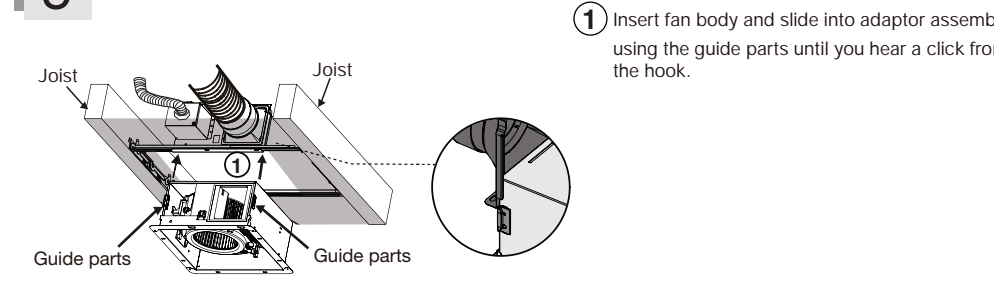
Make sure that the electric service supply voltage is AC 120 V 60 Hz.

Follow all local electrical and safety codes, as well as the National Electrical Code (NEC) and the Occupational Safety and Health Administration (OSHA).

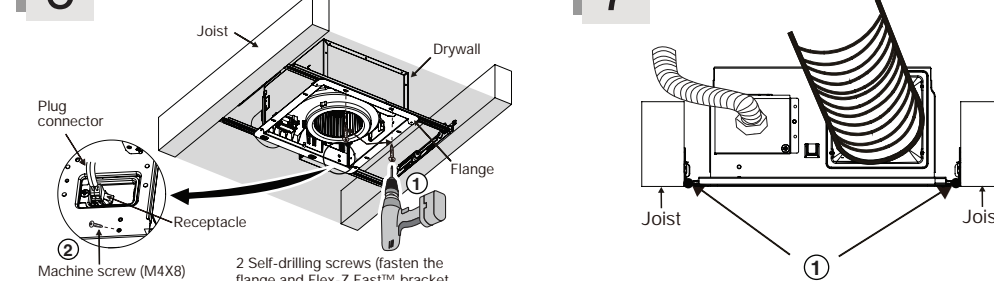
2

INSTALLATION (RETROFIT) CONTINUED

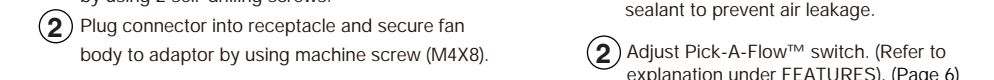
5 Insert fan body



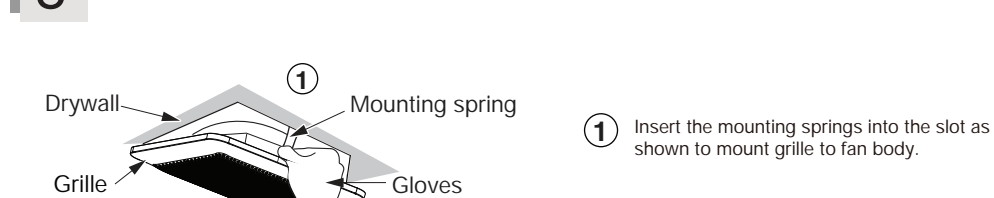
6 Secure fan body



7 Sealing



8 Install grille



CAUTION

Please take care when installing the machine screw (Step 6) to avoid cross threading and to ensure that the screw does not strip or come in contact with the Flex-Z Fast™ bracket.

8

GENERAL SAFETY INFORMATION (CONTINUED)

Always disconnect the power source before working on or near the fan, motor or junction box.

Protect the supply wiring from sharp edges, oil, grease, hot surfaces, chemicals or other objects.

Do not kink the supply wiring.

For general ventilating use only. Do not use to exhaust hazardous or explosive materials and vapors.

Not for use in cooking area. (Fig. A)

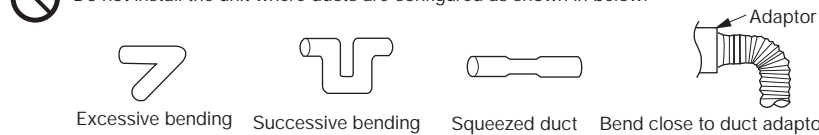
The special-purpose or dedicated parts, such as mounting fixtures, must be used if such parts are provided.

NOTICE

Provide make up air for proper ventilation.

Do not connect multiple units in parallel. If two or more units are connected to one switch in parallel, the units may not function.

Do not install the unit where ducts are configured as shown in below:



DESCRIPTION

These products are listed by UL under UL file No. E78414. These products use a sirocco fan driven by a DC motor powered by an integral transformer. The motor is designed to have long operating life, high dynamic response, higher speed ranges and energy savings. The grille covering the fan body is a spring-attached, quick removal type. A damper for preventing air counter flow is provided. The blower uses a high-capacity sirocco fan developed to reduce the noise level.

(RG-R811HA)
This Panasonic ventilating fan model is equipped with a humidity sensor that turns the fan on automatically when humidity increases rapidly, or when humidity rises above a 30% - 80% relative humidity set-point.

UNPACKING

Unpack and carefully remove the unit from carton. Refer to the Supplied Accessories list to verify that all parts are present.

3

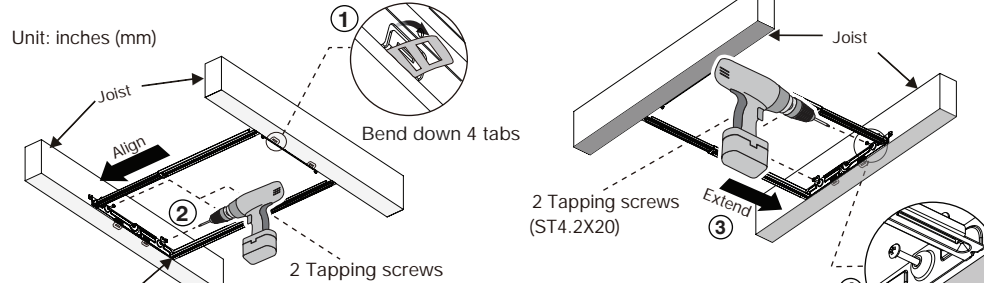
INSTALLATION (NEW CONSTRUCTION)

WARNING

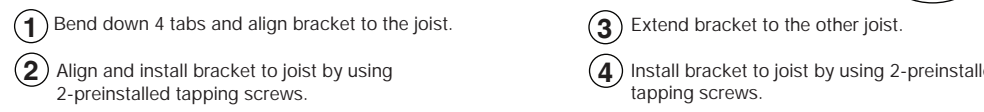
- 1 Disconnect power supply before installing the unit.
- 2 Please wear gloves to protect hands during the installation.
- 3 Ensure the junction box cover encloses all the wires and is completely flush before locking in place with the attached screw.

1 Install Flex-Z Fast™ bracket

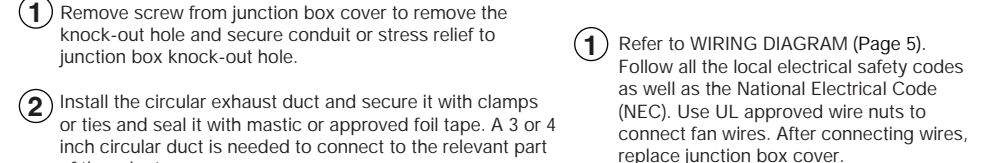
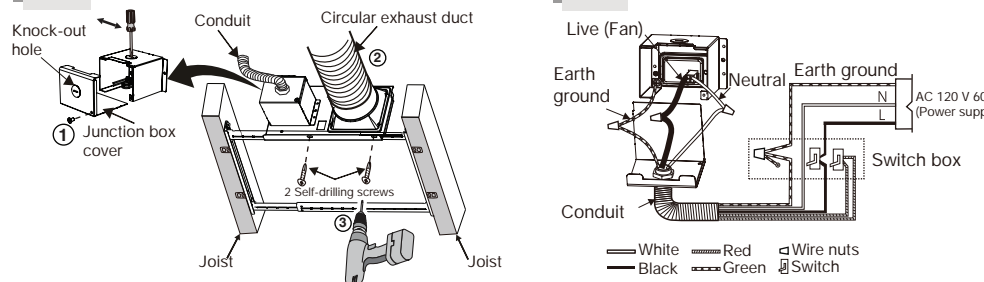
Flex-Z Fast™ bracket position can be adjusted from 16" to 24" (406mm to 610mm) between joists.



Flex-Z Fast™ bracket



2 Install circular exhaust duct



1 Remove screw from junction box cover to remove the knock-out hole and secure conduit or stress relief to junction box knock-out hole.

2 Install the circular exhaust duct and secure it with clamps or ties and seal it with mastic or approved foil tape. A 3 or 4 inch circular duct is needed to connect to the relevant part of the adaptor.

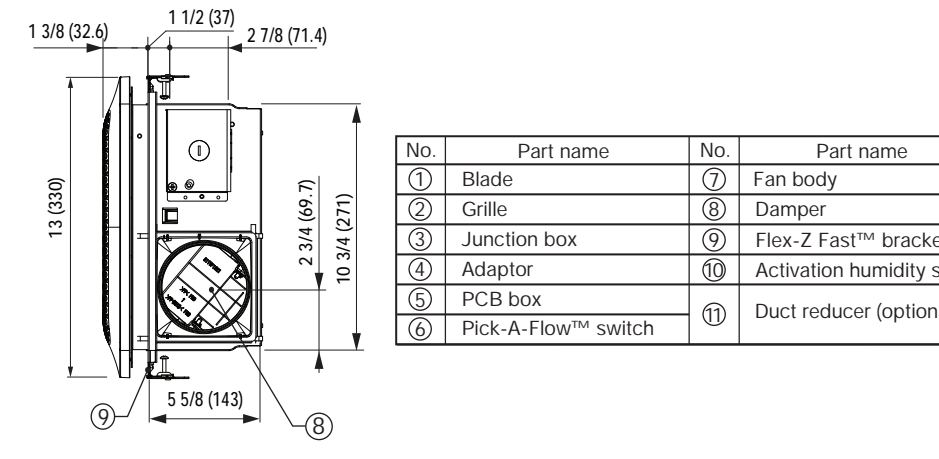
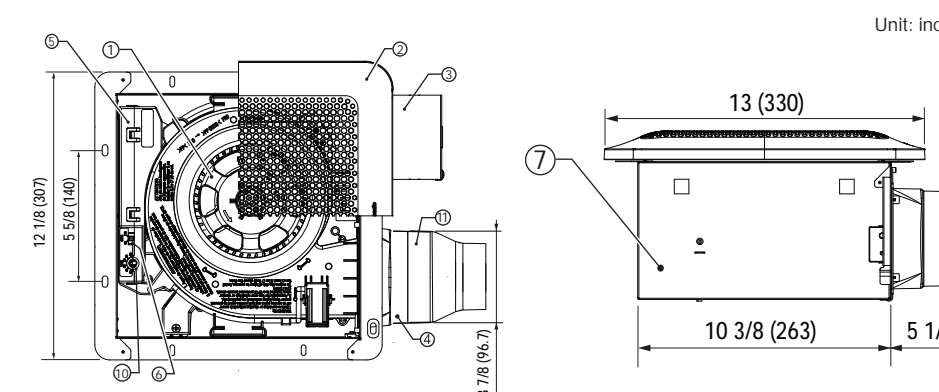
3 Install the adaptor to Flex-Z Fast™ bracket by using 2 self-drilling screws.

9

SUPPLIED ACCESSORIES

Part name	Appearance	Quantity	Part name	Appearance	Quantity
Grille		1	Installation instructions/warranty sheet		1
Flex-Z Fast™ bracket (with 4 tapping screws (ST4.2X20))		1	3 inch duct reducer (optional part)		1
Self-drilling screw		4	Machine screw (M4X8)		1

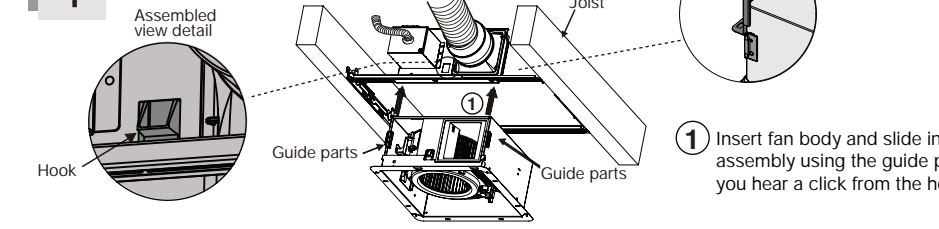
DIMENSIONS



4

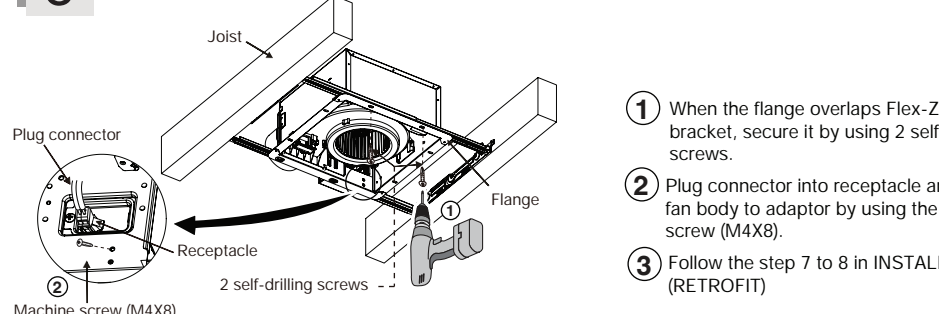
INSTALLATION (NEW CONSTRUCTION) CONTINUED

4 Insert fan body



1 Insert fan body and slide into adaptor assembly using the guide parts until you hear a click from the hook.

5 Secure fan body



MAINTENANCE (CLEANING)

WARNING

Disconnect power supply before working on unit.

CAUTION

- 1 Routine maintenance must be done every year. Please wear gloves during the cleaning work.
- 2 Never use gasoline, benzene, thinner or any other such chemicals for cleaning the ventilating fan.
- 3 Do not immerse motor in water when cleaning. Do not soak resin parts in water over 140° C (60°F).
- 4 Do not use cleaning sprays, solvents, or water on or near the sensor.

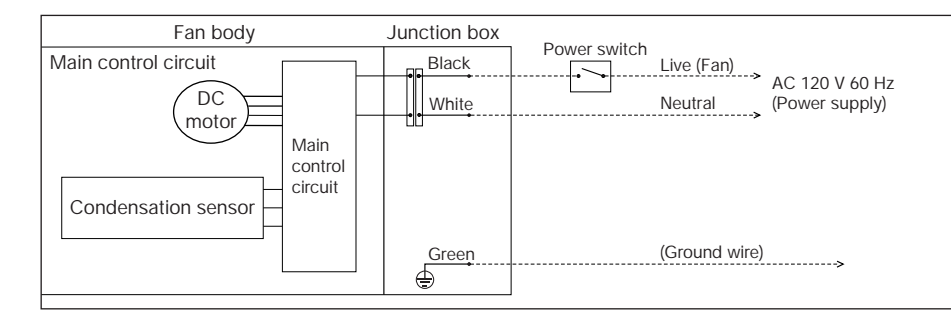
1 Remove grille



1 Remove grille by pulling down one mounting spring then pull the other.

10

WIRING DIAGRAM



FEATURE

These products employ innovative, state-of-the-art technologies that provide a number of customizable unique features that lead to improved indoor air quality. Please read this manual first in order to realize the benefits of this customizable, modular fan.

Optimum Ventilation Performance:

Duct length, elbows and other factors increase static pressure which can hinder the performance of most ventilation fans. These products utilize SmartFlow™ microchip technology that monitors the static pressure in the system and speeds up or slows down the rpm of the fan depending upon the amount of restriction within the ducts. This feature allows the fan to perform as rated and avoid potential installation issues.

Outstanding Energy Savings:

These products are built using DC motor technology. The DC motor is 30% - 70% more energy efficient than the minimum ENERGY STAR requirements.

[For model: RG-R811HA]

Pick-A-Flow™ Feature:

This product comes with Pick-A-Flow™ speed options. The Pick-A-Flow™ switch on the face of the product allows the option to choose 80 or 110 CFM. This product can run continuously or intermittently, depending upon the needs of the owner.

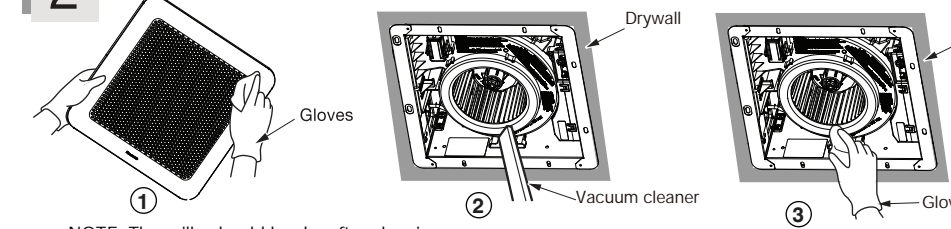
Air volume option (CFM)	Factory setting
80	110
110	80 CFM

The airflow can be set with the Pick-A-Flow™ switch, and humidity triggers can be set by adjusting the humidity setting dial. See the following visual operation chart.

5

MAINTENANCE (CLEANING) CONTINUED

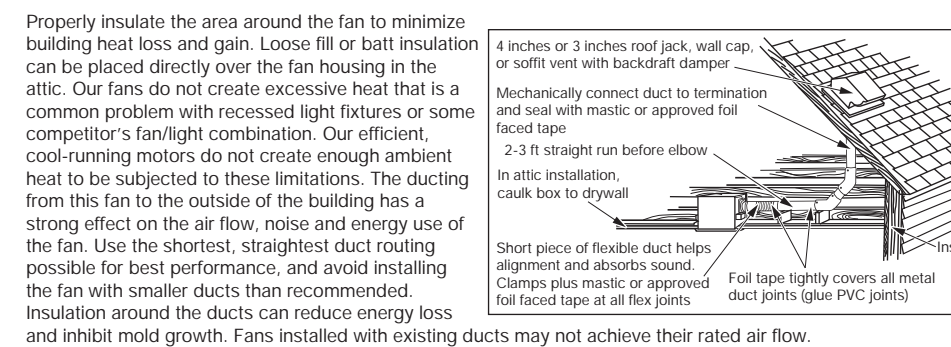
2 Maintenance of unit



NOTE: The grille should be dry after cleaning.

- 1 Clean grille. (Don't put into hot water. Use non-abrasive kitchen detergent, wipe dry with clean cloth).
- 2 Remove dust and dirt from fan body using a vacuum cleaner.
- 3 Using a cloth dampened with kitchen detergent, remove any dirt from fan body. Wipe dry with a clean cloth. Reinstall grille after finishing.

PRACTICAL GUIDE TO INSTALLATION



SPECIFICATIONS

Model No.	Air direction	Voltage (V)	Frequency (Hz)	Duct diameter (inches)	Air volume at 0.1" WG (CFM)	Noise (sones)	Speed (rpm)	Power (W)	Weight (lb./kg)
RG-R811HA	Exhaust	120	60	4	80	0.3	820	5.9	9.5(4.3)
					110	0.8	977	10.2	

HVI Certified performance based on HVI Procedures 915, 916, and 920.

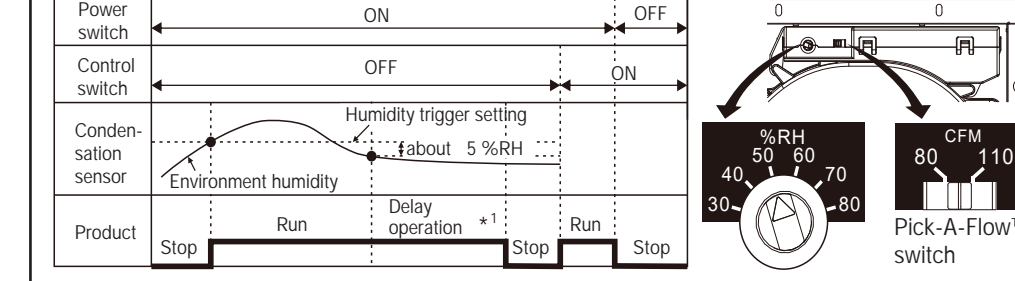
PRODUCT SERVICE

Warning Concerning Removal of Covers: The unit should be serviced by qualified technicians only. Your product is designed and manufactured to ensure a minimum of maintenance. Should your unit require service or parts, call Panasonic Call Center at 1-866-292-7299 (USA).

Panasonic Corporation of North America
Two Riverfront Plaza, Newark, NJ 07102
www.panasonic.com

11

FEATURE

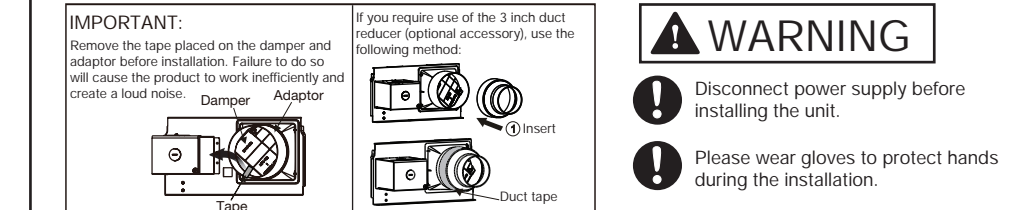


1 The product will continue to run for about 20 minutes after the sensor detects that the humidity is - 5 % RH lower than the humidity setting before stopping.

Note:

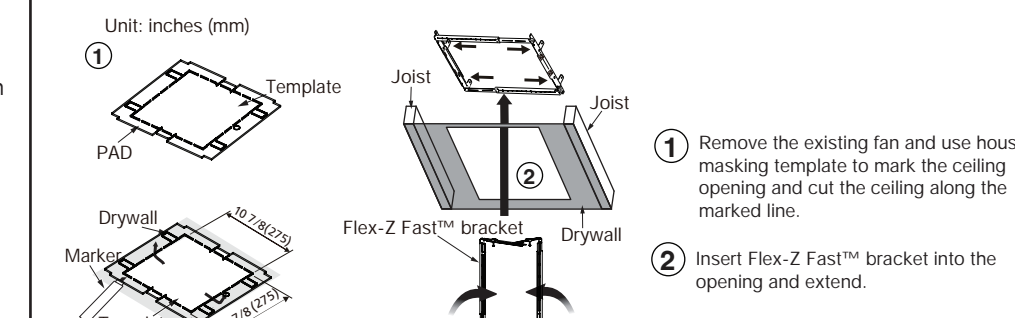
- 1 The power switch should be left on at all times.
- 2 The product will also run when the humidity rises rapidly but does not reach the humidity trigger setting, and then stop at the time delay.
- 3 The activation humidity settings on the dial are continuous from 30 %RH - 80 %RH.
- 4 The humidity detected by the sensor may differ from the value on your hygrometer.
- 5 The product may cycle on and off if the humidity is constantly near the trigger point. This can be addressed by raising the humidity trigger setting on the dial.
- 6 The fan will run for 20 minutes when power switch is first turned on, regardless of the humidity sensor or control switch settings. After 20 minutes, the fan will return to sensor mode.

INSTALLATION (RETROFIT)



1 Install Flex-Z Fast™ bracket

Flex-Z Fast™ bracket position can be adjusted from 16" to 24" (406mm to 610mm) between joists.



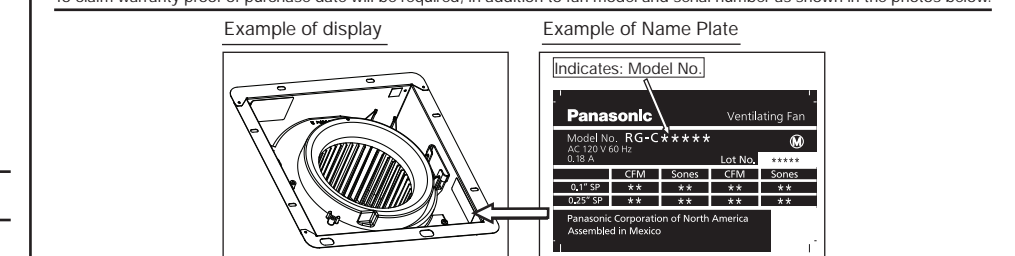
Draw the contour with a marker through marked line

6

Panasonic Corporation of North America
2 Riverfront Plaza, Newark, NJ 07102

Panasonic Ventilating Fan Limited Warranty
Panasonic Corporation of North America ("the Warrantor") warrants that, at its sole discretion, replace this product with new parts or exchange this product, free of charge, in the USA. In the event of defects in material or workmanship in accordance to the following:
ALL Parts: For a period of 3 years (36 months)
DC Motor: For a period of 6 years (72 months)
LED Light Unit: For a period of 5 years (60 months)

Service, in the USA, can be obtained during the warranty period by contacting the selling Distributor or Panasonic Customer Call Center at 1-866-292-7299, toll free.
This warranty does not cover labor charges for removal and installation of parts. This warranty is extended only to the original purchaser of a new product which was not sold "as is," who purchased the product either directly from the Warrantor or from the Warrantor's authorized resellers (including authorized retail and Internet-based sellers), unless otherwise prohibited by law.
This warranty only applies to products purchased in the United States.
To claim warranty proof of purchase date will be required. In addition to fan model and serial number as shown in the photos below.



This warranty only covers failures due to defects in materials or workmanship that occur during normal use and does not cover shipping damages, whether visible or concealed, normal wear or cosmetic damage. The warranty does not cover failures that are caused by products and peripherals not supplied by the Warrantor, or failures which result from accident, misuse, abuse, negligence, mishandling, misapplication, alteration, modification, faulty installation, improper setups or adjustments, improper or lack of maintenance, alterations or modifications, power line surge, improper line voltage, lightning damage, or damage that is attributable to acts of God.

LIMITS AND EXCLUSIONS
There are no express warranties except as listed above. THE WARRANTOR SHALL NOT BE LIABLE FOR INCIDENTAL, CONSEQUENTIAL, OR PUNITIVE DAMAGES, INCLUDING, WITHOUT LIMITATION, LOSS OF GOODWILL, PROFITS OR REVENUE, LOSS OF USE OF THIS PRODUCT OR ANY ASSOCIATED EQUIPMENT, COST OR SUBSTITUTE PRODUCT, DOWNTIME COST, OR CLAIMS OF ANY PARTY DEALING WITH BUYER FOR SUCH DAMAGES, RESULTING FROM THE USE OF THIS PRODUCT OR ARISING FROM BREACH OF WARRANTY OR CONTRACT, NEGLIGENCE OR ANY OTHER LEGAL THEORY EXCEPT AS EXPRESSLY PROVIDED ABOVE. THERE IS NO WARRANTY OR ANY OTHER KIND, EXPRESS OR IMPLIED, THERE ARE NO WARRANTIES WHICH EXTEND BEYOND THE DESCRIPTION ON THE FACE HEREOF.
Some states do not allow the exclusion or limitation of incidental or consequential damages, or limitations on how long an implied warranty lasts, so the above exclusions or limitation may not apply to you.

This warranty gives you specific legal rights and you may also have other rights which vary from state to state. If a problem with this product develops during or after the warranty period, you may contact your Distributor or Panasonic Customer Call Center. If the problem is not handled to your satisfaction, then write to Panasonic Corporation of North America at the address indicated above.

Customer Service Directory
Obtain Product Information and Operating Assistance. Locate your nearest distributor, or make Customer Service and Literature requests by visiting our Web Site at: www.panasonic.com/ventfans.
or send your request by E-mail to: ventfansrus@panasonic.com
You may also contact us directly at: 1-866-292-7299 (Monday-Friday 9 am - 6 pm, EST.)

Accessories Purchases
Purchase Parts and Accessories for Panasonic Ventilating Products by visiting our Website:
Consumers: www.buypanasonicparts.com or send your request by Email to: nccparts@us.panasonic.com
You may also contact us directly at: 1-866-292-7299 (Monday-Friday 9 am - 6 pm, EST.)
Distributors: Send your request by Email to: nccparts@us.panasonic.com
You may also contact us directly at: 1-866-292-7299 (Monday-Friday 9 am - 6 pm, EST.)

Panasonic Consumer Electronics Company
Customer Service Group
2 Riverfront Plaza, Newark, NJ 07102
For hearing or speech impaired TTY users, TTY: 1-877-833-8855

© Panasonic Corporation 2021

Printed in Mexico
P0929-0 R811H1422