

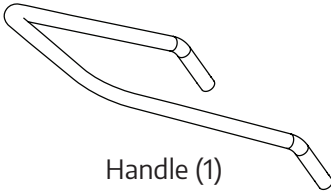


# **Yard Rover**

## **Assembly Instructions**

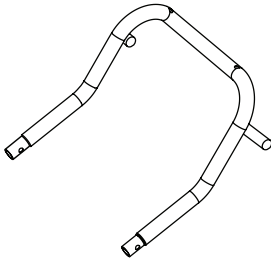
**Use also for Pink Barrow, Ladybug and Pumpkin Barrow**

## Parts Included:

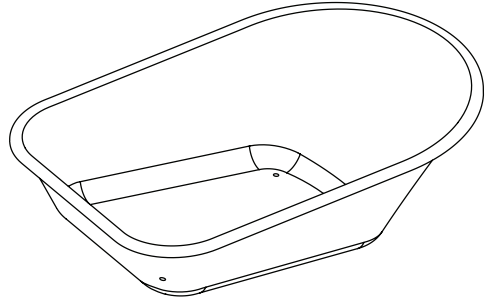


## Tools Needed:

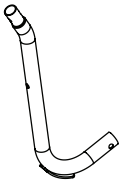
Crescent Wrench  
Gloves  
Eye-wear



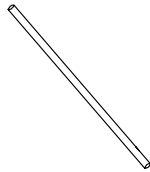
Frame (1)



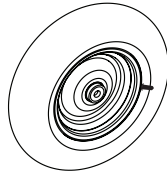
Tray (1)



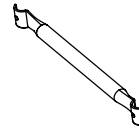
Legs (2)



Axle (1)



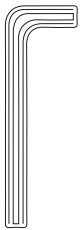
Wheel\* (2)



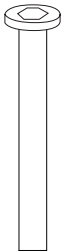
Leg Brace (1)



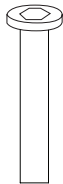
Shim (2)



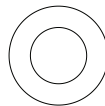
Hex Wrench (1)



Long Bolt (2)



Short Bolt (6)



Big Washer (2)



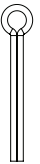
Nylock Nut (8)



Rubber Gasket (4)



Small Washer (8)

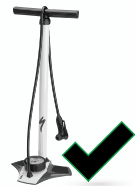


Cotter Pin (2)

1



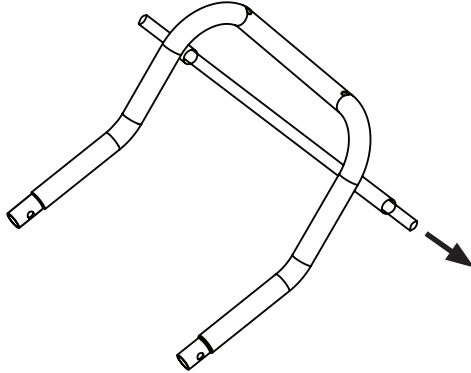
Not for highway use.  
Max. Inflation Pressure 25psi.  
Manual pump only.  
Do not use air compressor.



1

### Step One:

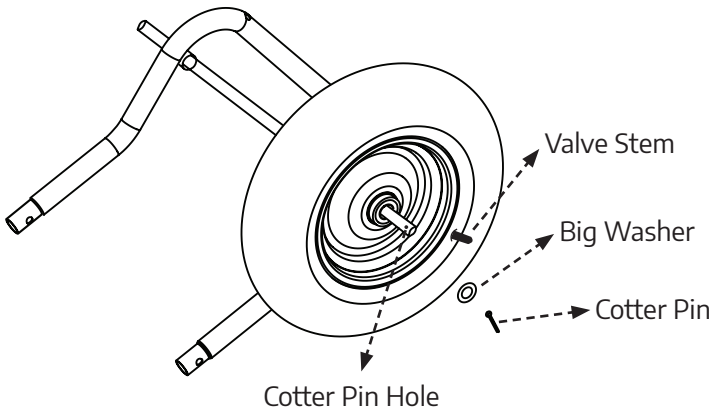
Put on your gloves and protective eye-wear.  
Slide axle through axle brackets on the frame.



2

### Step Two:

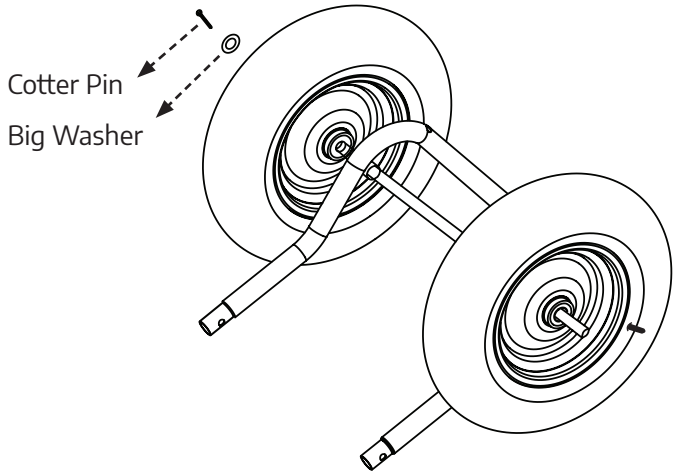
With valve stem facing out, slide first **wheel** through axle.  
Add **big washer** and insert **cotter pin** through hole in axle.  
Split ends of cotter pin to hold it in place.



3

### Step Three:

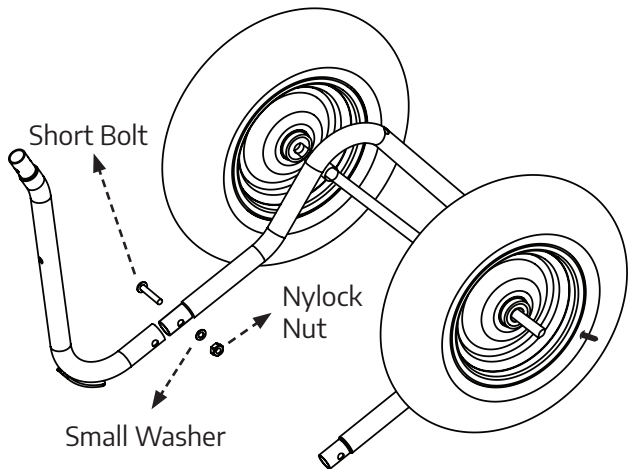
Repeat step 2 with the second wheel adding big washer and cotter pin, splitting both ends to keep it in place.



4

### Step Four:

Attach one leg to frame. Secure with short bolt, facing in. Add small washer and nylock nut. Tighten with your fingers.

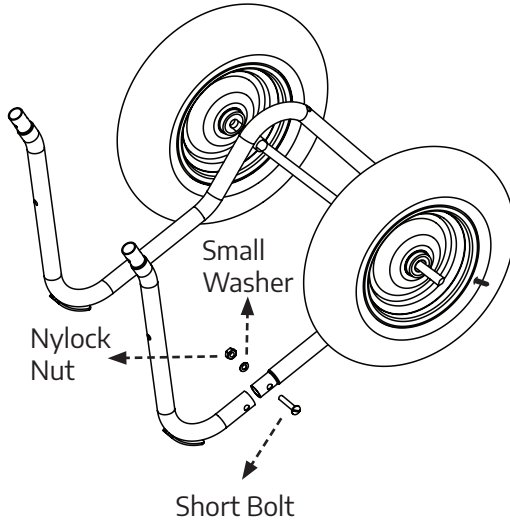


3

5

### Step Five:

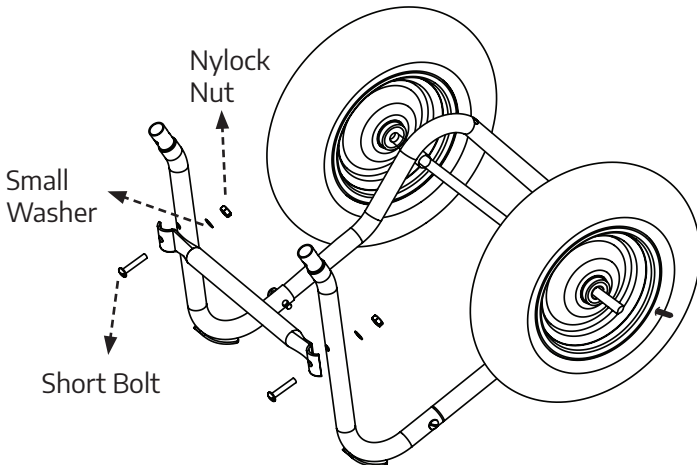
Repeat step 4 on other leg, attaching it to the frame and securing with short bolt, small washer and nylock nut. Tighten with your fingers.



6

### Step Six:

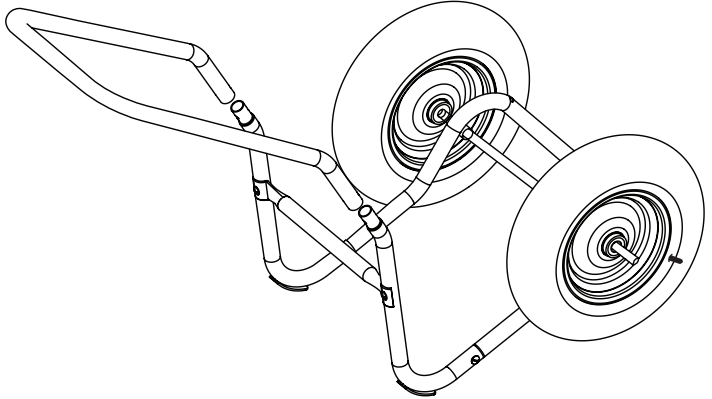
Place leg brace against legs. Secure both sides with short bolts, facing in. Add small washer and nylock nut. Tighten with your fingers.



7

### Step Seven:

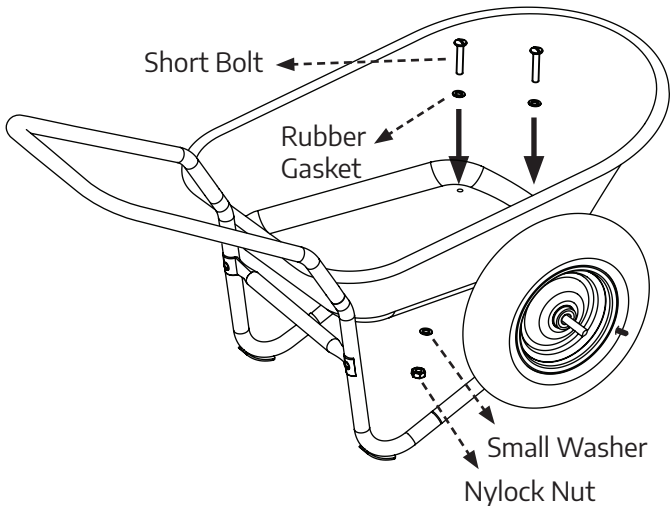
Place handle on legs. Bolts will be added on step 9.



8

### Step Eight:

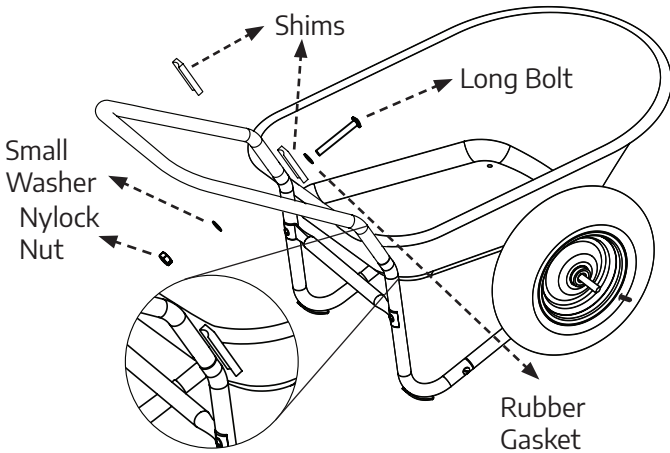
Place tray, aligning front holes first. Slide short bolts through rubber gaskets and front holes. Add small washers and nylock nuts. Tighten with fingers.



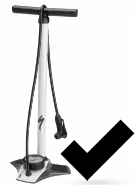
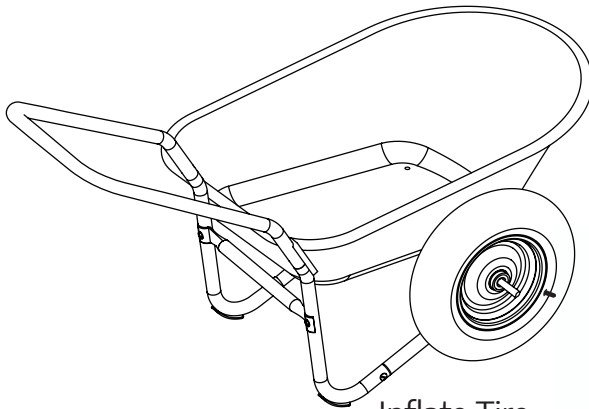
5

**9****Step Nine:**

Align shims between tray and handle, matching curve of the shim to the handle. Insert long bolts through rubber gasket, tray, hole in shim and handle. Add washers and nylock nuts. Tighten with your fingers.

**10****Step Ten:**

Tighten everything up by using the hex wrench to hold the bolts in place and spinning the crescent wrench at the nylock nut. Enjoy your Yard Rover!



Inflate Tire  
Max. Inflation 25psi.  
Manual pump only.

**6**



**Toll Free**

877-425-1640

253-893-7014

**Email:** [sales@marathonind.com](mailto:sales@marathonind.com)

**Website:** [www.gardenstarcarts.com](http://www.gardenstarcarts.com)

Made in China