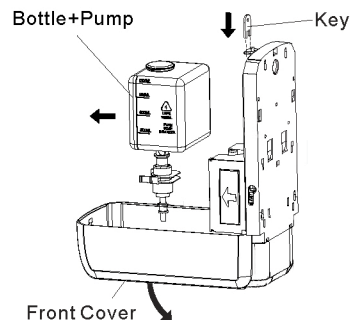


STEP 1

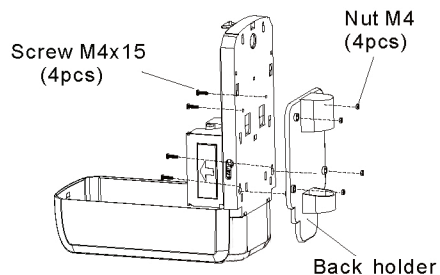
Open it with key, take out the bottle and pump



Install Back Holder

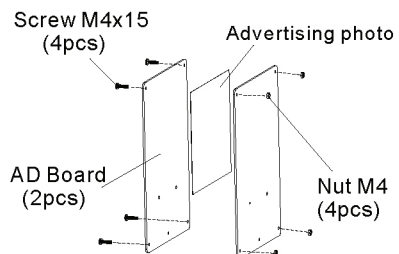
STEP 2

Install the back holder with dispenser



STEP 3

Put Advertising photo inside of 2 pcs AD board

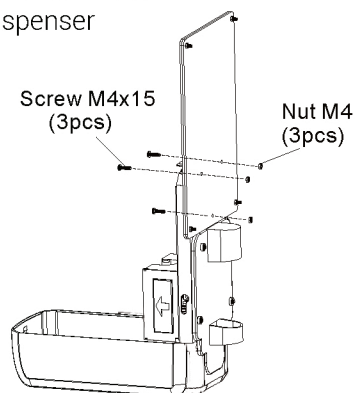


* Advertising photo size: 18x 18cm

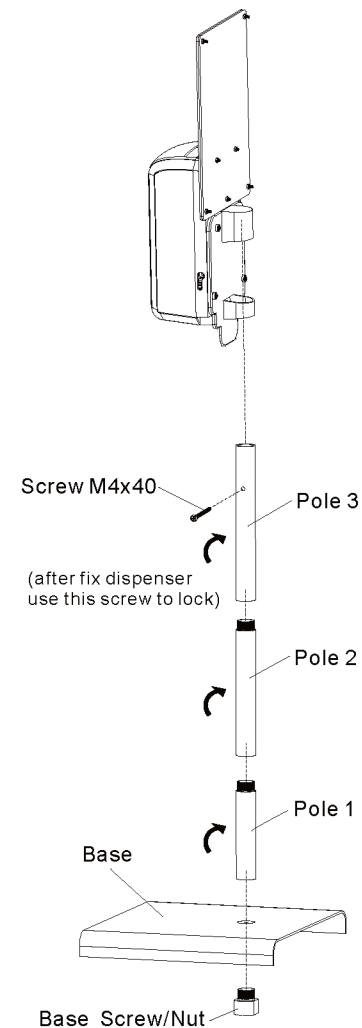
Install AD Board (If Needed)

STEP 4

Install the AD Board on dispenser

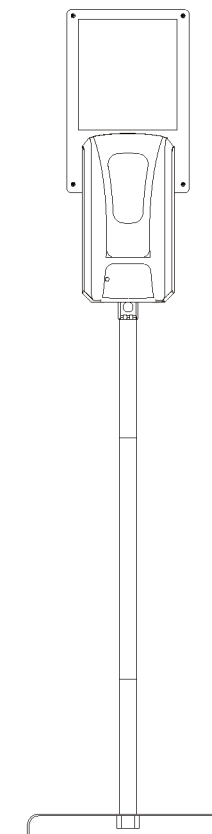


STEP 5



Install Pole and Base

STEP 6



* fix 4 pcs C size batteries, fill liquid and turn on the switch. enjoy your health hand sanitizing.

Enjoy hand sanitizing