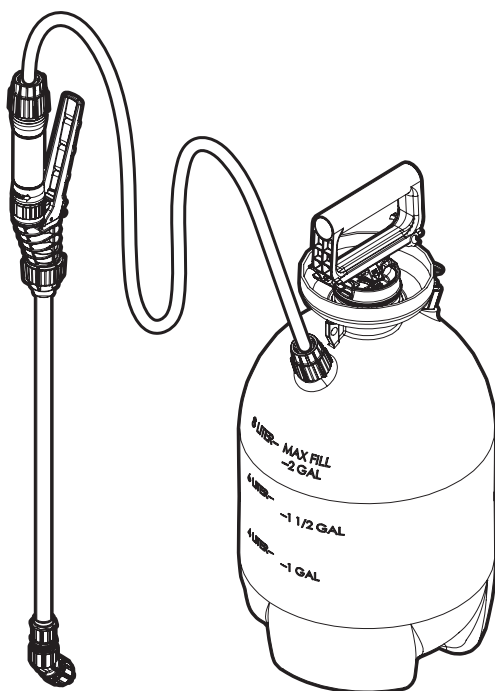


USE AND CARE GUIDE

BLEACH AND DECK SPRAYER



Questions, problems, missing parts? Before returning to the store,
call HDX Customer Service
8 a.m. - 7 p.m., EST, Monday - Friday, 9 a.m. - 6 p.m., EST, Saturday

1-800-514-6729

HOMEDEPOT.COM

THANK YOU

We appreciate the trust and confidence you have placed in HDX through the purchase of this sprayer. We strive to continually create quality products designed to enhance your home. Visit us online to see our full line of products available for your home improvement needs. Thank you for choosing HDX!

Table of Contents

Safety Information	2	Operation.....	7
Warranty.....	3	Cleaning and Storage	10
Pre-Assembly	4	Maintenance	10
Assembly.....	6	Troubleshooting	11

Safety Information

Read all safety warnings, instructions, and chemical manufacturer's instructions before use. Failure to follow the warnings and instructions may result in serious injury.

- Never use caustics, acids, hot water, vinegar, or pressure producing chemicals in this sprayer.
- Keep the sprayer and all chemicals out of the reach of children and pets.
- Only spray when the air is calm (no wind or air movement) to prevent chemical spray from drifting onto non-targeted surfaces.
- Always release pressure when the sprayer is not in use and before removing the pump from the tank.
- Store or dispose of any unused chemicals as instructed by the chemical manufacturer due to the potential for environmental damage from a spill or leak, and/or refer to the disposal criteria referenced in the Safety Data Sheet (SDS).
- Clean and rinse the sprayer after each use to avoid unintended chemical exposure and prevent contamination of subsequent applications.
- Store the sprayer in a warm, dry, dust-free location out of direct sunlight.



DANGER: RISK OF DEATH, SEVERE PERSONAL INJURY AND/OR PROPERTY DAMAGE FROM IMPROPER CHEMICAL USE OR MIXTURE.

- Never use flammable or combustible chemicals in this sprayer. Spraying flammable or combustible chemicals can create combustible fumes that could be ignited, causing an explosion.
- Use only chemicals indicated for spraying applications. Some chemicals may create a toxic or other hazardous atmosphere when sprayed.
- Always refer to chemical manufacturer's instructions and/or the chemical Safety Data Sheet (SDS) for proper mixture and safe application.



WARNING: RISK OF PERSONAL INJURY AND/OR PROPERTY DAMAGE DUE TO CHEMICAL EXPOSURE.

- Use the appropriate Personal Protective Equipment (PPE) as recommended by the chemical manufacturer and/or refer to the chemical Safety Data Sheet (SDS) of the chemical being used. This includes at least goggles, gloves, and protective clothing. Failure to use appropriate PPE could result in chemical exposure through skin contact, eye contact, inhalation, or other means.
- After initial assembly, extended storage, or any possibly damaging event, such as a fall, always inspect the sprayer for damage, and test it with plain water to check for proper function. Ensure all connections are secure and leak free, and the hose is free from damage, prior to using the sprayer with chemicals.
- Never store chemicals in the sprayer.
- Always inspect the hose and all connections before each use. A damaged hose or loose connections could result in an uncontrolled high-pressure discharge of chemicals.
- Do not spray near open flame, hot surfaces, or anything that could vaporize the spray. Doing so could create a dangerous chemical atmosphere.



WARNING: RISK OF PERSONAL INJURY AND/OR PROPERTY DAMAGE DUE TO RUPTURE AND/OR UNCONTROLLED HIGH-PRESSURE DISCHARGE OF LIQUID CHEMICALS.

- Never modify or alter the sprayer from original condition. Never heat or alter the hose, hose nut, or barb. Doing so could weaken the components and/or connections.
- Use only replacement parts from original manufacturer. Other replacement parts are not compatible with this sprayer.
- Never pressurize the sprayer with any device other than the pump supplied by the original manufacturer. Use of an air compressor or other non-standard device to pressurize the tank could exceed the safe working pressure of the sprayer.
- Do not lift, carry, or pull the sprayer by the hose, shut-off valve, or wand extension. Doing so could weaken the components and/or connections. Carry by the pump handle only, making sure the handle is properly locked in place before lifting.
- Clean the sprayer out after every use.
- For use with transparent or semi-transparent water-based stains only.

SAVE THESE INSTRUCTIONS

1-YEAR LIMITED WARRANTY

We warrant that each product sold by us will be free from defects in material and workmanship for a period of one year from the date of shipment by us. We make no other express warranties, and all implied warranties, including fitness and merchantability, are limited to one year from the date of shipment by us. Within the warranty period, we will repair or replace any part found to be defective upon our examination but will not pay shipping cost or other expenses. To obtain warranty service, contact us at: 1-800-514-6729 or www.HomeDepot.com. Merchandise may not be returned without prior permission and must be returned to us prepaid. This warranty service is an exclusive remedy and we are not responsible for any consequential or incidental damages or injury to person(s) or property. This warranty shall not apply to any product which has been subject to misuse, negligence or accident, or been damaged in shipment, or misapplied, or which has been modified or repaired by unauthorized persons. This warranty only applies to products owned by persons purchasing directly from us or from our approved distributors and merchandisers. The right is reserved to incorporate subsequent design or parts changes after publication and without reissue of descriptive literature or catalogs.



NOTE: Limitations on duration of implied warranty and/or consequential damages might not apply to you if your state does not permit them. This warranty gives you specific legal rights in addition to rights you may have under state law.

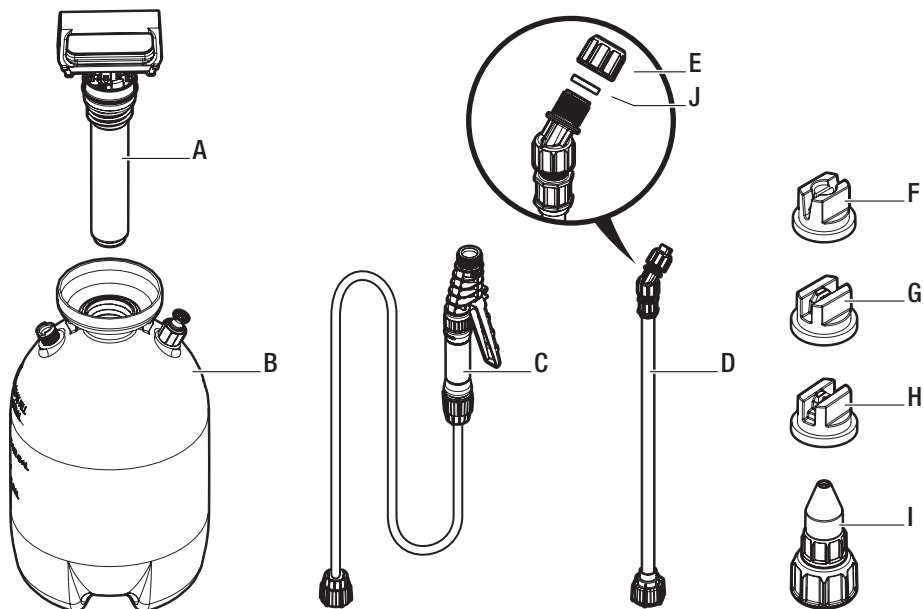
Contact the Customer Service Team at 1-800-514-6729 or visit www.HOMEDEPOT.com/HDX.

Pre-Assembly

PLANNING ASSEMBLY

Compare all parts with the Package Contents list. If any part appears missing or damaged, do not use this product. Contact Customer Service at 1-800-514-6729 or visit www.HOMEDEPOT.com/HDX.

PACKAGE CONTENTS



Part	Description	Quantity
A	Pump	1
B	Tank	1
C	Hose and Shut-off Assembly	1
D	Wand	1
E	Cap Nut	1
F	Brown Maximum Spray Volume Fan Nozzle	1
G	Red High Spray Volume Fan Nozzle	1
H	Yellow Low Spray Volume Fan Nozzle	1
I	Adjustable Cone Nozzle	1
J	Nozzle Flat Seal	1

Pre-Assembly (continued)

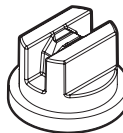
NOZZLE DESCRIPTION

Brown Nozzle - Extra high spray volume with wide spray pattern. This nozzle is ideal for deck staining applications or for spraying more viscous (thicker) fluids.

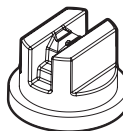


NOTE: For use with transparent or semi-transparent water-based stains only.

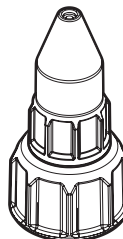
Red Nozzle - High spray volume fan with medium width spray pattern. This nozzle is ideal for covering large areas with a more controlled spray.



Yellow Nozzle - Low spray volume fan with narrow width spray pattern. This nozzle is ideal for precision spraying, such as spraying for insect control.



Adjustable Cone - Adjustable from fine cone pattern to straight stream. This nozzle is ideal for bleach applications for spot spraying (cone) or spraying distant targets (straight stream).



NOTE: Only use bleach products with a Sodium Hypochlorite concentration up to 7.5%.



WARNING: The user should wear appropriate PPE when spraying bleach.



NOTE: Clean the sprayer out after every use.

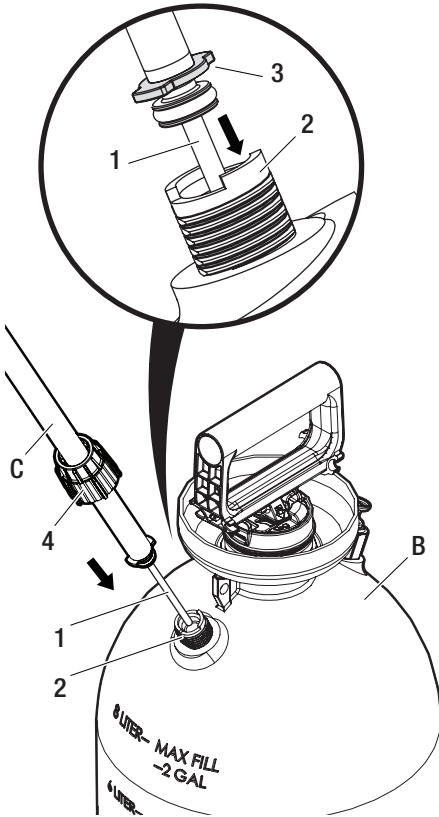
Assembly



WARNING: RISK OF PERSONAL INJURY AND/OR PROPERTY DAMAGE DUE TO CHEMICAL EXPOSURE. After initial assembly, always inspect the sprayer for damage, and test it with plain water to check for proper function. Ensure all connections are secure and leak free, and the hose is free from damage, prior to using the sprayer with chemicals.

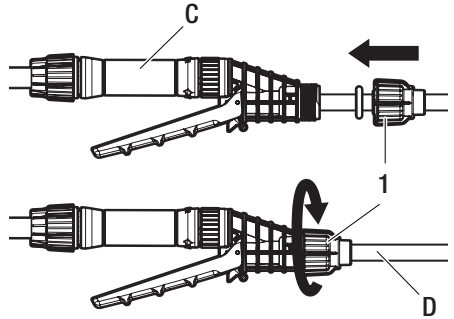
1 Attaching the hose to the tank

- Insert the dip tube (1) of the hose (C) fully into the threaded tank boss (2) on the tank (B).
- Align the tabs on the adapter barb (3) with the slots on the threaded tank boss (2).
- Screw the hose nut (4) onto the threaded tank boss (2). Firmly hand tighten and pull to ensure a tight connection.



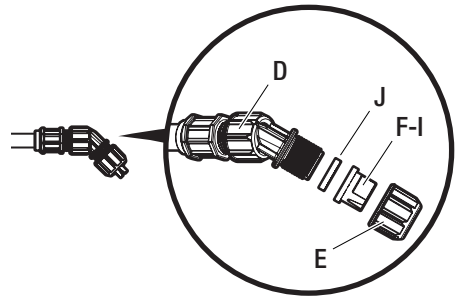
2 Attaching the wand to the shut-off

- Position the wand (D) into the shut-off (C).
- Slide the wand nut (1) onto the shut-off (C) and firmly hand tighten.



3 Installing a nozzle

- Choose the spray nozzle (F - I) best for your application. Position the nozzle and nozzle flat seal (J) into the cap nut (E) and then screw the cap nut (E) with nozzle onto the end of the wand (D).
- Rotate the wand (D) as needed for desired nozzle orientation.
- To ensure the correct assembly, test the sprayer with water before first use.



Operation



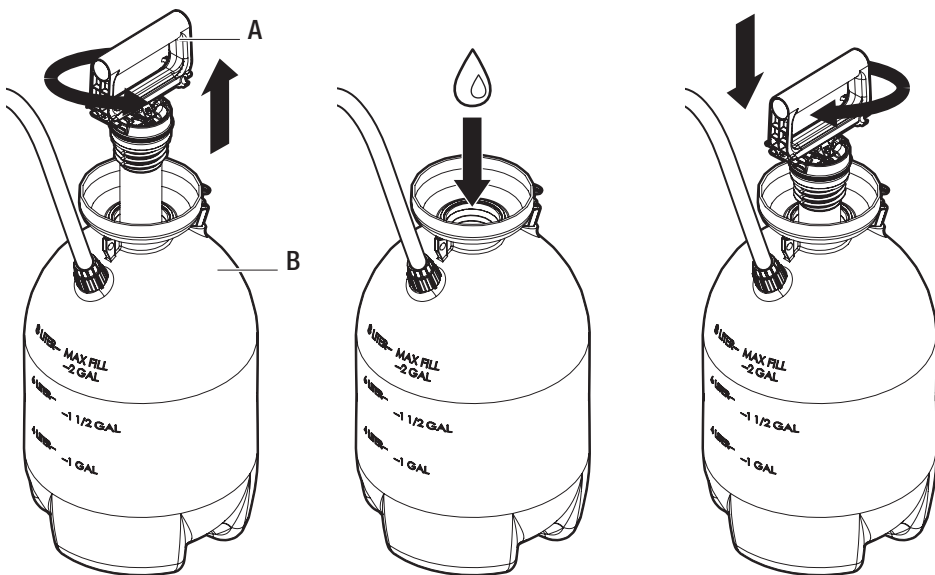
WARNING: RISK OF PERSONAL INJURY DUE TO CHEMICAL EXPOSURE. Use the appropriate Personal Protective Equipment (PPE) as recommended by the chemical manufacturer and/or refer to the chemical Safety Data Sheet (SDS) of the chemical being used. This includes at least goggles, gloves, and protective clothing.

1 Filling the sprayer



DANGER: RISK OF DEATH, SEVERE PERSONAL INJURY AND/OR PROPERTY DAMAGE FROM IMPROPER CHEMICAL USE OR MIXTURE.

- Never use flammable or combustible chemicals in this sprayer. Spraying flammable or combustible chemicals can create combustible fumes that could be ignited, causing an explosion.
 - Use only chemicals indicated for spraying applications. Some chemicals may create a toxic or other hazardous atmosphere when sprayed.
 - Always refer to chemical manufacturer's instructions and/or the chemical Safety Data Sheet (SDS) for proper mixture and safe application.
-
- Remove the pump (A) from the tank (B) by turning the handle on the pump (A) counterclockwise to unscrew and remove the entire pump (A).
 - Prepare the desired chemical according to the instructions listed on the chemical manufacturers' label. Mix only the amount of chemical to be sprayed and never fill the tank (B) above the maximum fill line (MAX FILL LINE).
 - Screw the pump (A) back into the tank (B) and tighten firmly by hand.



2 Pressurizing the sprayer

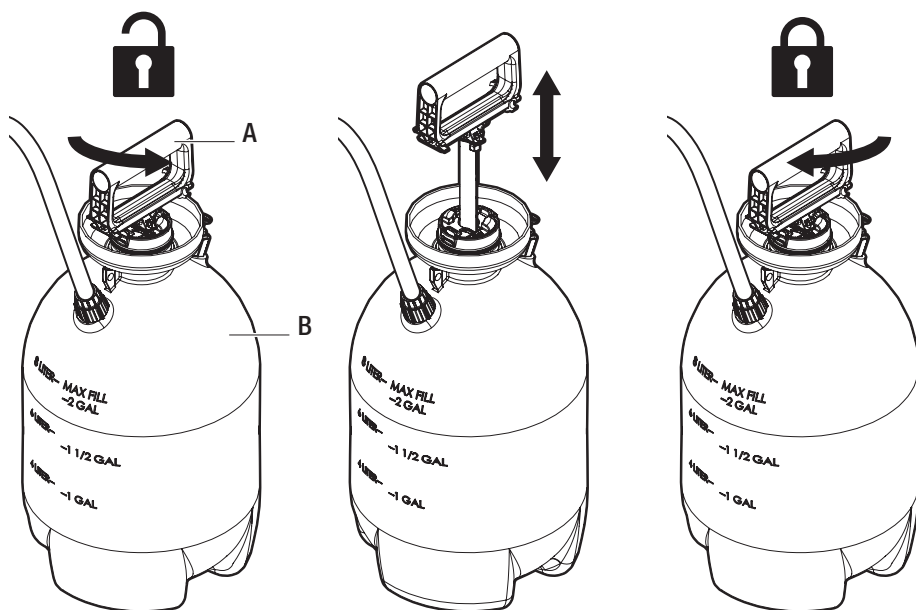


WARNING: RISK OF PERSONAL INJURY AND/OR PROPERTY DAMAGE DUE TO UNINTENDED SPRAYING OF CHEMICALS. Ensure the shut-off lever is released before starting to pressurize the sprayer. The sprayer will spray when pressurizing, if the shut-off lever is depressed.



NOTICE: RISK OF PROPERTY DAMAGE. Only spray when the air is calm (no wind or air movement) to prevent chemical spray from drifting onto non-targeted surfaces.

- To operate the pump (A), unlock the pump handle by turning counterclockwise. Be careful not to loosen the pump (A) from the tank (B).
- To create pressure, move the pump handle up and down until it is hard to pump.
- Lock the pump handle back into the pump assembly (A) by turning clockwise.



3 Operating the sprayer

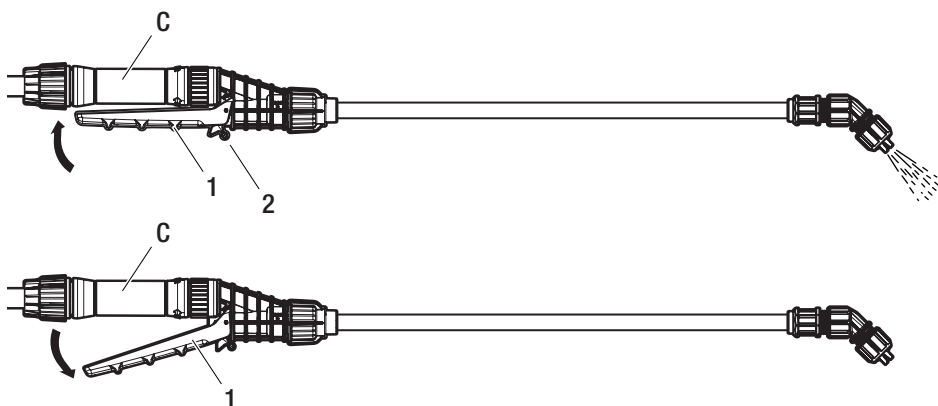


WARNING: RISK OF PERSONAL INJURY AND/OR PROPERTY DAMAGE DUE TO UNINTENDED SPRAYING OF CHEMICAL. Ensure the shut-off lever is released before starting to pressurize the sprayer. The sprayer will spray when pressurizing if the shut-off lever is depressed.



NOTICE: RISK OF PROPERTY DAMAGE. Only spray when the air is calm (no wind or air movement) to prevent chemical spray from drifting onto non-targeted surfaces.

- To start spraying, direct the nozzle at the desired target and squeeze the lever (1) on the shut-off (C).
- To stop spraying, release the lever (1) on the shut-off (C).
- To spray continuously, squeeze the lever (1) and move the lock (2) toward the lever (1) until it clicks into place.

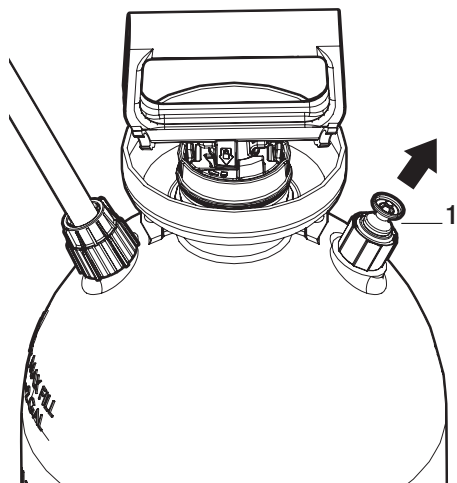


4 Releasing pressure from the tank



WARNING: RISK OF PERSONAL INJURY AND/OR PROPERTY DAMAGE DUE TO UNINTENDED SPRAYING OF CHEMICAL. Always release pressure when sprayer is not in use and before removing the pump from the tank.

- To release pressure from the tank, pull up on the pressure release valve knob until all air flow is gone.



Cleaning and Storage



WARNING: RISK OF PERSONAL INJURY DUE TO CHEMICAL EXPOSURE. Use the appropriate Personal Protective Equipment (PPE) as recommended by the chemical manufacturer and/or refer to the chemical Safety Data Sheet (SDS) of the chemical being used. This includes at least goggles, gloves, and protective clothing.

CLEANING

1. Remove the pump from the tank.
2. Remove all unused chemicals from the tank.
3. Store or dispose of any unused chemicals as instructed by the chemical manufacturer due to the potential for environmental damage from a spill or leak, and/or refer to disposal criteria referenced in the Safety Data Sheet (SDS).
4. Use clean water to rinse any additional chemical from the tank and pump. Discard the water where any trace amounts of chemical will have no effect.
5. Add clean water to the tank, insert and tighten the pump, and pump up the sprayer.
6. Point the nozzle in a safe direction, where any remaining chemical in the hose will have no effect, and spray for at least 30 seconds to rinse out the entire sprayer and components.
7. Release the pressure in the tank and remove the pump.
8. Dump the water from the tank and drain it from the hose. Discard the water where any trace amounts of chemical will have no effect.
9. If needed, the sprayer can be washed with warm water and mild soap.
10. With the pump removed, hang the tank upside down to drain and dry.

STORAGE

1. Once all components have dried, insert the pump into the tank and tighten loosely to keep dust and debris from entering the tank.
2. Store the sprayer in a clean, dry area, where it will not be exposed to direct sunlight, excessive heat, or freezing temperatures.

Maintenance



WARNING: RISK OF PERSONAL INJURY AND/OR PROPERTY DAMAGE DUE TO CHEMICAL EXPOSURE. Always ensure that all chemical has been removed from the sprayer and the sprayer has been cleaned prior to performing any maintenance.



WARNING: RISK OF PERSONAL INJURY. Always release pressure from the sprayer prior to performing any maintenance. Disassembly of a sprayer that is still pressurized may result in the high speed ejection of components.

At least once per season the O-rings in the pump and shut-off should be cleaned and lubricated with petroleum jelly. Heavy use may require more frequent cleaning and lubrication.

Troubleshooting

Problem	Probable Cause	Possible Solution
Liquid chemical or air leaks from the tank into the pump cylinder.	The check valve on the bottom of the pump cylinder is unable to seal properly due to dirt, residue, or damage.	Remove the pump assembly and examine the check valve. Clean if dirty; replace if necessary.
The hose leaks air at the tank connection.	The hose barb adapter is not inserted into the tank correctly, the hose nut is loose, or the O-ring is damaged.	Re-insert the hose barb adapter correctly, tighten the hose nut, or replace the O-ring.
There is a bad spray pattern or low spray volume.	The nozzle or dip tube filter is clogged.	Remove and inspect the nozzle and dip tube filter. Clean as needed or re-pressurize the tank.
The nozzle leaks when the shut-off is closed (lever released).	There is dirt or debris in the shut-off valve.	Disassemble the shut-off. Inspect all components. Clean and lubricate parts as needed. Otherwise, replace the shut-off.
Air leaks out at the tank opening.	The pump is not sealed tightly into the tank. The pump gasket is damaged.	Clean the pump gasket and adjacent sealing surfaces on the pump cylinder and tank. Replace the gasket if damaged.
The nozzle tip leaks.	The nozzle seal is missing or incorrectly assembled.	Re-assemble the nozzle and seal to the wand.
The sprayer is difficult to pump.	The pump piston O-ring is damaged or lacks lubrication.	Replace the damaged O-ring. Lubricate if needed with petroleum jelly.



Questions, problems, missing parts? Before returning to the store,
call HDX Customer Service
8 a.m. - 7 p.m., EST, Monday-Friday, 9 a.m. - 6 p.m., EST, Saturday

1-800-514-6729

[HOMEDEPOT.COM/HDX](https://www.homedepot.com/hdx)

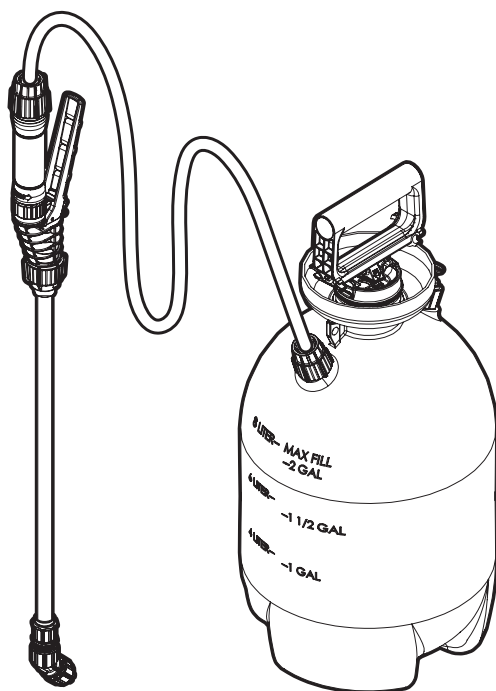
Retain this manual for future use.

The HDX logo is prominently displayed in the top left corner of the header. It consists of the letters 'HDX' in a bold, sans-serif font, with a stylized 'X' that has a diagonal line through it. A small 'TM' trademark symbol is located to the upper right of the 'X'. The background of the header features a pattern of small, light-colored lightning bolts.

Artículo n.º 1009 705 117
Modelo n.º 190770

GUÍA DE USO Y CUIDADO

PULVERIZADOR PARA DESINFECTANTE Y TERRAZAS



¿Tiene preguntas o problemas, o le faltan piezas? Antes de devolver a la tienda,
llame a Atención al Cliente de HDX
Lunes a viernes de 8:00 a.m. a 7:00 p.m., EST, y los sábados de 9:00 a.m. a 6:00 p.m., EST

1-800-514-6729

HOMEDEPOT.COM

THANK YOU

We appreciate the trust and confidence you have placed in HDX through the purchase of this sprayer. We strive to continually create quality products designed to enhance your home. Visit us online to see our full line of products available for your home improvement needs. Thank you for choosing HDX!

Índice

Información de seguridad	2	Funcionamiento	7
Garantía	3	Limpieza	10
Antes del ensamblaje	4	Mantenimiento	10
Ensamblaje	6	Resolución de problemas	11

Información de seguridad

Lea todas las advertencias de seguridad, indicaciones e instrucciones del fabricante del producto químico antes de usar. No cumplir con las advertencias e instrucciones puede provocar lesiones graves.

- Nunca use cáusticos, ácidos, agua caliente, vinagre o productos químicos que produzcan presión en el pulverizador.
- Mantenga el pulverizador y todos los productos químicos fuera del alcance de niños y mascotas.
- Rocíe solo cuando el aire esté calmado (que no haya viento ni movimiento del aire) para evitar que el rociado del producto químico se desvíe hacia superficies no deseadas.
- Libere siempre la presión cuando no use el pulverizador y antes de quitar la bomba del tanque.
- Almacene o deseche los productos químicos sin usar conforme a las instrucciones de sus respectivos fabricantes debido al potencial de daño ambiental por un derrame o fuga, y/o consulte los criterios de desecho a los que se hace referencia en la hoja de datos de seguridad (SDS).
- Limpie y enjuague el pulverizador después de cada uso para evitar la exposición no intencional a productos químicos y evitar contaminación en usos subsiguientes.
- Almacene el pulverizador en un lugar cálido, seco y sin polvo lejos de la luz solar directa.



PELIGRO: RIESGO DE MUERTE, LESIONES GRAVES Y/O DAÑOS A LA PROPIEDAD DEBIDO AL USO O MEZCLA DE SUSTANCIAS QUÍMICAS INDEBIDAS.

- Nunca use productos químicos inflamables o combustibles en este pulverizador. Rocíar productos químicos inflamables o combustibles puede crear vapores combustibles que pueden encenderse y causar una explosión.
- Use solo los productos químicos indicados para aplicaciones de rociado. Algunos productos químicos pueden crear una atmósfera tóxica o peligrosa cuando se rocian.
- Siempre consulte las instrucciones del fabricante de la sustancia química y/o la hoja de datos de seguridad (SDS, por sus siglas en inglés) para conocer la mezcla adecuada y la aplicación segura.



ADVERTENCIA: RIESGO DE LESIONES Y/O DAÑOS A LA PROPIEDAD DEBIDO AL ROCIADO NO INTENCIONAL DE PRODUCTOS QUÍMICOS.

- Use el equipo de protección personal (EPP) adecuado conforme a las recomendaciones del fabricante de la sustancia química y/o consulte la hoja de datos de seguridad (SDS) de la sustancia química que se utilizará. Esto incluye al menos gafas, guantes y ropa de protección. De no usar el EPP adecuado podría causar una exposición química a través del contacto con la piel o con los ojos, por inhalación u otros medios.
- Después del ensamblaje inicial, un almacenamiento prolongado o cualquier evento que pueda haberlo dañado, como una caída, inspeccione siempre si el pulverizador está dañado y pruebe con agua corriente si funciona correctamente. Asegúrese de que todas las conexiones estén fijas y no tengan fugas, y que la manguera no esté dañada, antes de usar el pulverizador con productos químicos.
- Nunca guarde productos químicos en el pulverizador.
- Inspeccione siempre las mangueras y las conexiones antes de cada uso. Una manguera dañada o conexiones flojas pueden causar una descarga sin control de productos químicos a alta presión.
- No rocíe cerca de llamas abiertas, superficies calientes o cualquier cosa que podría vaporizar el líquido. De hacerlo, se puede generar una atmósfera química peligrosa.



ADVERTENCIA: RIESGO DE LESIONES Y/O DAÑOS A LA PROPIEDAD DEBIDO A RUPTURA Y/O DESCARGA SIN CONTROL DE PRODUCTOS QUÍMICOS LÍQUIDOS A ALTA PRESIÓN.

- Nunca modifique o altere el pulverizador de la condición original. Nunca caliente ni altere la manguera, la tuerca de la manguera o la lengüeta. De hacerlo podría debilitar los componentes y/o las conexiones.
- Use solo piezas de repuesto del fabricante original. Otras piezas de repuesto no son compatibles con este pulverizador.
- Nunca presurice el pulverizador con ningún dispositivo que no sea la bomba suministrada por el fabricante original. El uso de un compresor de aire u otro dispositivo no estándar para presurizar el tanque podría exceder la presión segura de funcionamiento del pulverizador.
- No levante, transporte o jale el pulverizador por la manguera, la válvula de cierre o la extensión de la varilla. De hacerlo podría debilitar los componentes y/o las conexiones. Transporte la bomba solo por la manija, y asegúrese antes de jalar la manija esté bien trabada en su lugar antes de jalar.
- Limpie el pulverizador después de cada uso.
- Solo debe usarse con tintes al agua transparentes o semitransparentes.

GUARDE ESTAS INSTRUCCIONES

GARANTÍA LIMITADA POR 1 AÑO

Garantizamos que los productos que vendemos están libres de defectos de material y mano de obra por un período de un año a partir de la fecha de envío. No ofrecemos otras garantías expresas, y todas las garantías implícitas, incluidas las de idoneidad y comercialización, se limitan a un año a partir de la fecha de envío por nosotros. Dentro del período de garantía, repararemos o reemplazaremos cualquier pieza que se determine estar defectuosa bajo examen de nuestra parte pero no pagaremos los costos de envío u otros gastos. Para obtener el servicio de garantía, comuníquese con nosotros al 1-800-514-6729 o www.HomeDepot.com. La mercadería no se puede devolver sin permiso previo y se debe devolver prepaga. Este servicio de garantía es un remedio exclusivo y no somos responsables por cualquier daño consecuente o incidente o lesiones a personas o propiedad. Esta garantía no aplica a ningún producto que haya estado sujeto a uso incorrecto, negligencia o accidente, que se haya dañado durante el envío, que se haya aplicado de forma incorrecta, o que haya sido modificado o reparado por personas no autorizadas. Esta garantía solo aplica a productos propiedad de personas que nos compran directo a nosotros o a nuestros distribuidores y comerciantes aprobados. Nos reservamos el derecho de incorporar cambios subsiguientes de diseño o de piezas después de la publicación y sin nueva emisión de los documentos o catálogos descriptivos.



NOTA: Las limitaciones a la duración de la garantía implícita y/o daños consecuentes puede no aplicar a usted si su estado no lo permite. Esta garantía le brinda derechos legales específicos además de los derechos que pueda tener por ley estatal.

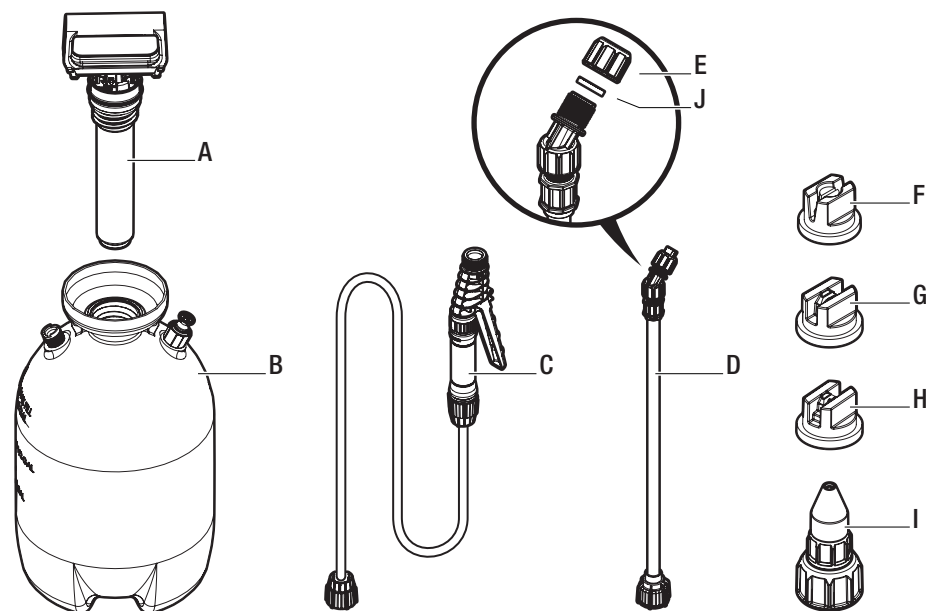
Comuníquese con el equipo de Atención al Cliente al 1-800-514-6729 o visite www.HOMEDEPOT.com/HDX.

Antes del ensamblaje

PLANIFICACIÓN DEL ENSAMBLAJE

Compare todas las piezas con la lista de contenido del paquete. Si falta alguna pieza o está dañada, no instale el producto. Comuníquese con Atención al Cliente al 1-800-514-6729 o visite www.HOMEDEPOT.com/HDX.

CONTENIDO DEL PAQUETE



Pieza	Descripción	Cantidad
A	Bomba	1
B	Tanque	1
C	Manguera y conjunto de cierre	1
D	Vara	1
E	Tuerca de sombrerete	1
F	Boquilla pulverizadora marrón de rociado máximo	1
G	Boquilla pulverizadora roja de rociado fuerte	1
H	Boquilla pulverizadora amarilla de rociado leve	1
I	Boquilla cónica ajustable	1
J	Sello plano de boquilla	1

Antes del ensamblaje (continuación)

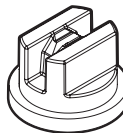
DESCRIPCIÓN DE LAS BOQUILLAS

Boquilla marrón: Volumen de rociado extra fuerte con un patrón de rociado amplio. Esta boquilla es ideal para teñir terrazas o para rociar fluidos más viscosos (espesos).

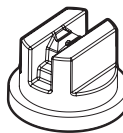


NOTA: Solo debe usarse con tintes al agua transparentes o semitransparentes.

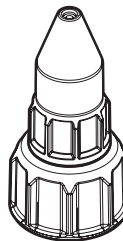
Boquilla roja: Volumen de rociado fuerte con un patrón de rociado intermedio. Esta boquilla es ideal para cubrir áreas grandes con un rociado más controlado.



Boquilla amarilla: Volumen de rociado leve con un patrón de rociado estrecho. Esta boquilla es ideal para rociar con precisión, como al rociar insecticidas.



Cono ajustable: Permite ajustar de un patrón cónico delgado a un chorro recto. Esta boquilla es ideal para aplicar desinfectante mediante rociados puntuales (cono) o para rociar objetivos distantes (chorro recto).



NOTA: Solo use productos con lejía con una concentración de hipoclorito de sodio de hasta 7.5 %.



ADVERTENCIA: El usuario debe usar los EPP apropiados cuando pulverice desinfectante.



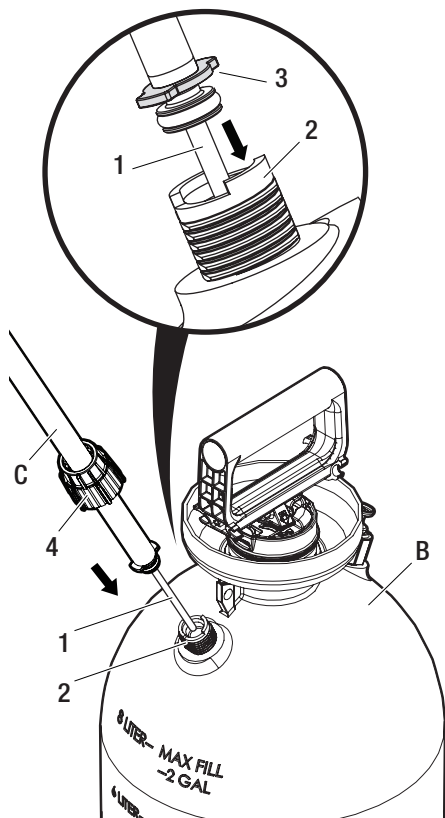
NOTA: Limpie el pulverizador después de cada uso.



ADVERTENCIA: RIESGO DE LESIONES Y/O DAÑOS A LA PROPIEDAD DEBIDO A LA EXPOSICIÓN A PRODUCTOS QUÍMICOS. Después del ensamble inicial, inspeccione siempre si el pulverizador está dañado y pruebe con agua corriente para verificar el funcionamiento correcto. Asegúrese de que todas las conexiones estén firmes y no tengan fugas, y que la manguera no esté dañada, antes de usar el pulverizador con productos químicos.

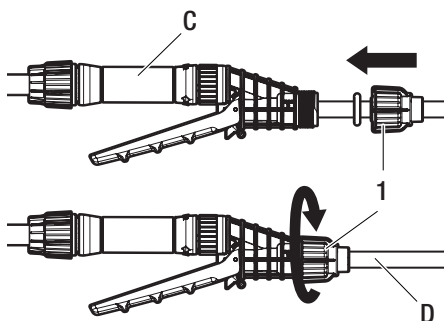
5 Colocación de la manguera al tanque

- Inserte el tubo de nivel (1) de la manguera (C) por completo en el manguito roscado del tanque (2) que se encuentra en el tanque (B).
- Alinee las pestañas en la lengüeta adaptadora (3) con las ranuras del manguito roscado del tanque (2).
- Enrosque la tuerca de la manguera (4) en el manguito roscado del tanque (2). Apriétela bien y jálala para asegurarse de que la conexión haya quedado bien.



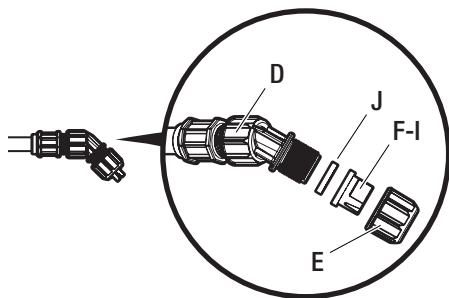
6 Colocación de la varilla al conjunto de cierre

- Coloque la varilla (D) en el conjunto de cierre (C).
- Deslice la tuerca (1) de la varilla en el conjunto de cierre (C) y apriétela bien.



7 Instalación de una boquilla

- Elija la boquilla pulverizadora (F - I) que mejor se adapte a su tarea. Coloque la boquilla y el sello plano de la boquilla (J) en la tuerca de sombrerete (E) y luego enrosque la tuerca con la boquilla en el extremo de la varilla (D).
- Rote la varilla (D) según sea necesario para obtener la orientación deseada en la boquilla.
- Para asegurarse de que se ha ensamblado correctamente, antes de usar por primera vez pruebe el pulverizador con agua.



Funcionamiento



ADVERTENCIA: RIESGO DE LESIONES DEBIDO A LA EXPOSICIÓN A PRODUCTOS QUÍMICOS. Use el equipo de protección personal (EPP) adecuado conforme a las recomendaciones del fabricante de la sustancia química y/o consulte la hoja de datos de seguridad (SDS) de la sustancia química que se utilizará. Esto incluye al menos gafas, guantes y ropa de protección.

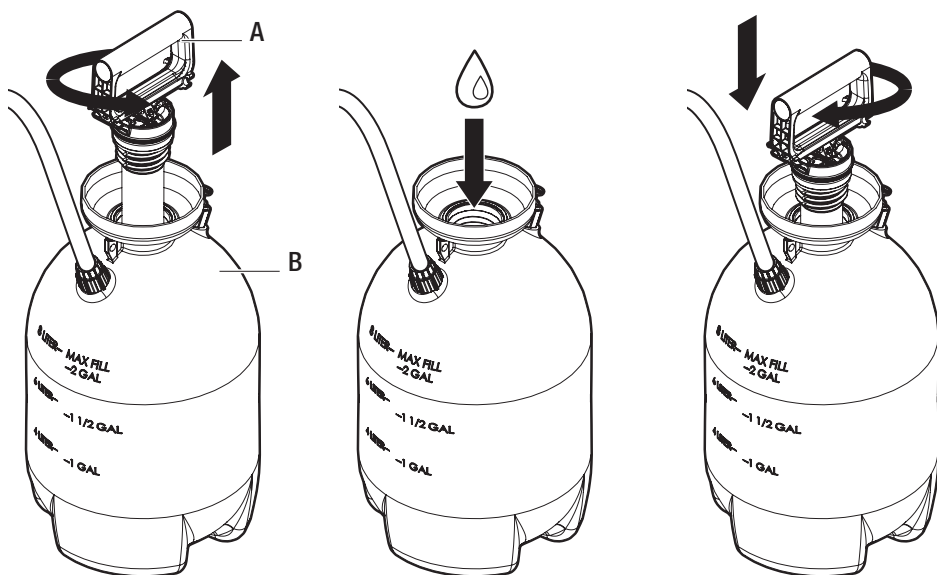
1 Llenado del pulverizador



PELIGRO: RIESGO DE MUERTE, LESIONES GRAVES Y/O DAÑOS A LA PROPIEDAD DEBIDO AL USO O LA MEZCLA DE SUSTANCIAS QUÍMICAS INDEBIDAS.

- ❑ Nunca use productos químicos inflamables o combustibles en este pulverizador. Rocíar productos químicos inflamables o combustibles puede crear vapores combustibles que pueden encenderse y causar una explosión.
- ❑ Use solo los productos químicos indicados para aplicaciones de rociado. Algunos productos químicos pueden crear una atmósfera tóxica o peligrosa cuando se rocían.
- ❑ Siempre consulte las instrucciones del fabricante de la sustancia química y/o la hoja de datos de seguridad (SDS) para conocer la mezcla adecuada y la aplicación segura.

- ❑ Extraiga la bomba (A) del tanque (B) girando la manija de la bomba (A) en sentido antihorario para desenroscarla y quitar la bomba (A) entera.
- ❑ Prepare la sustancia química deseada siguiendo las instrucciones que aparecen en la etiqueta del fabricante de la sustancia química. Mezcle sólo la cantidad de sustancia química que vaya a rociar y nunca llene el tanque (B) por arriba de la línea de llenado máximo (MAX FILL LINE).
- ❑ Enrosque la bomba (A) de nuevo en el tanque (B) y ajústela con firmeza a mano.



Funcionamiento (continuación)

2 Presurizado del pulverizador

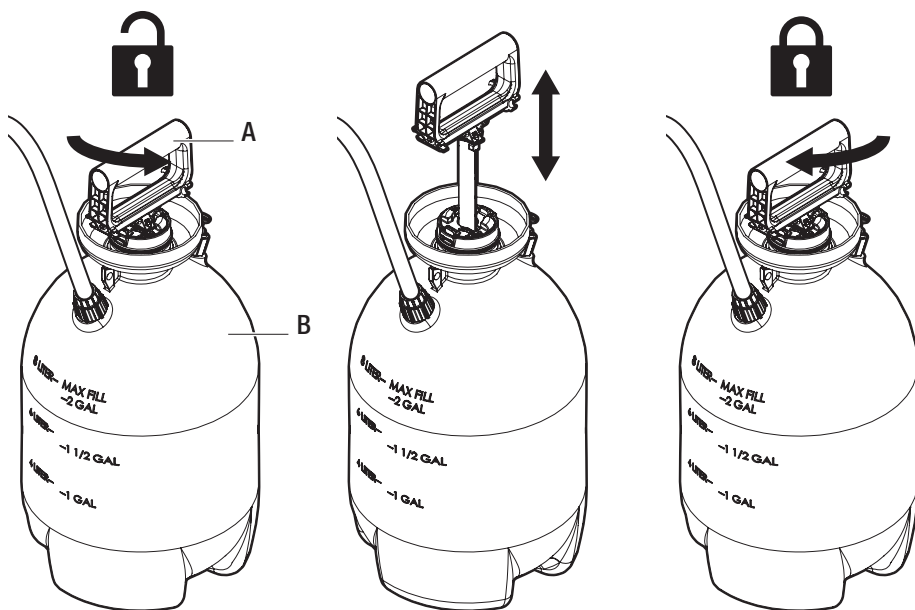


ADVERTENCIA: RIESGO DE LESIONES Y/O DAÑOS A LA PROPIEDAD DEBIDO AL ROCIADO NO INTENCIONAL DE PRODUCTOS QUÍMICOS. Asegúrese de que la palanca de cierre está libre antes de comenzar a presurizar el pulverizador. El pulverizador rociará cuando esté presurizado si la palanca de cierre está presionada.



AVISO: RIESGO DE DAÑOS A LA PROPIEDAD. Rocíe solo cuando el aire esté calmo (que no haya viento ni movimiento del aire) para evitar que el rociado del producto químico se desvíe hacia superficies no deseadas.

- Para poner la bomba (A) en funcionamiento, destrabe la manija de la bomba girándola en sentido antihorario. Tenga cuidado de no aflojar la bomba (A) del tanque (B).
- Para crear presión, mueva la manija de la bomba hacia arriba y hacia abajo hasta que sea difícil bombear.
- Trabe la manija de la bomba en el conjunto de la bomba (A) girándola en sentido horario.



3 Uso del pulverizador

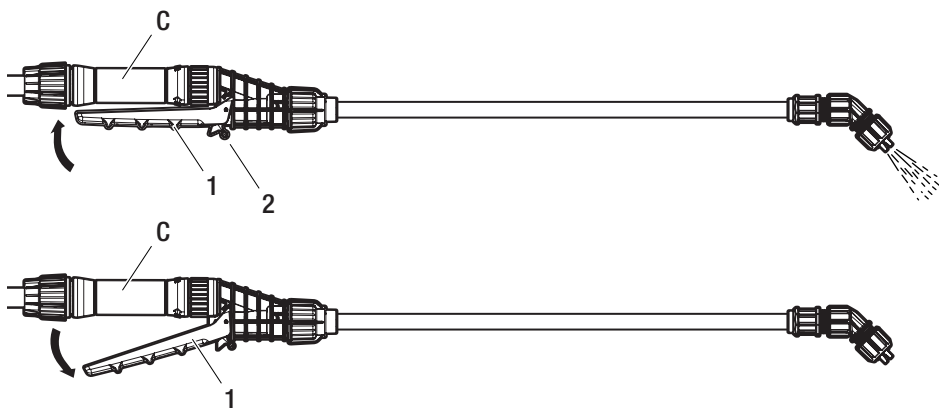


ADVERTENCIA: RIESGO DE LESIONES Y/O DAÑOS A LA PROPIEDAD DEBIDO AL ROCIADO NO INTENCIONAL DE PRODUCTOS QUÍMICOS. Asegúrese de que la palanca de cierre está libre antes de comenzar a presurizar el pulverizador. El pulverizador rociará cuando esté presurizado si la palanca de cierre está presionada.



AVISO: RIESGO DE DAÑOS A LA PROPIEDAD. Rocíe solo cuando el aire esté calmo (que no haya viento ni movimiento del aire) para evitar que el rociado del producto químico se desvíe hacia superficies no deseadas.

- Para comenzar a rociar, dirija la boquilla hacia el objetivo deseado y apriete la palanca (1) del conjunto de cierre (C).
- Para dejar de rociar, suelte la palanca (1) del conjunto de cierre (C).
- Para rociar de forma continua, apriete la palanca (1) y mueva la traba (2) hacia la palanca (1) hasta que se trabe en su lugar.

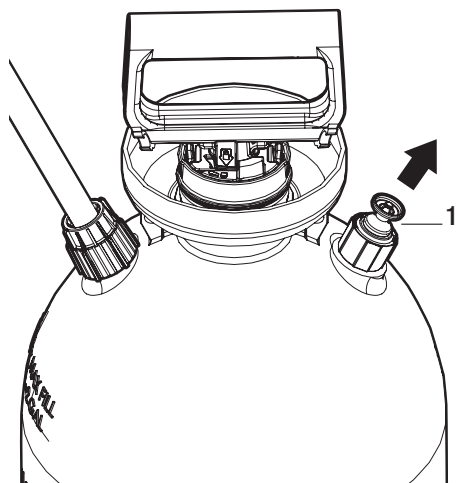


4 Liberación de la presión del tanque



ADVERTENCIA: RIESGO DE LESIONES Y/O DAÑOS A LA PROPIEDAD DEBIDO AL ROCIADO NO INTENCIONAL DE PRODUCTOS QUÍMICOS. Libere siempre la presión cuando no use el pulverizador y antes de quitar la bomba del tanque.

- Para liberar la presión del tanque, jale la perilla de la válvula de liberación de presión hasta extraer todo el flujo de aire.



Limpieza y almacenamiento



ADVERTENCIA: RIESGO DE LESIONES DEBIDO A LA EXPOSICIÓN A PRODUCTOS QUÍMICOS. Use el equipo de protección personal (EPP) adecuado conforme a las recomendaciones del fabricante de la sustancia química y/o consulte la hoja de datos de seguridad (SDS) de la sustancia química que se utilizará. Esto incluye al menos gafas, guantes y ropa de protección.

LIMPIEZA

1. Quite la bomba del tanque.
2. Extraiga todos los productos químicos sin usar del tanque.
3. Almacene o deseche los productos químicos sin usar conforme a las instrucciones de sus respectivos fabricantes debido al potencial de daño ambiental por un derrame o fuga, y/o consulte los criterios de desecho a los que se hace referencia en la hoja de datos de seguridad (SDS).
4. Use agua corriente para enjuagar cualquier producto químico adicional del tanque y el tanque. Deseche el agua donde los restos de la sustancia química no tengan efectos adversos.
5. Agregue agua corriente al tanque, inserte y ajuste la bomba, y bombee el pulverizador.
6. Apunte la boquilla a una dirección segura, hacia donde cualquier sustancia química restante en la manguera no tendrá efecto, y rocíe por al menos 30 segundos para enjuagar el pulverizador entero y sus componentes.
7. Libere la presión del tanque y quite la bomba.
8. Vierta el agua del tanque y drénela de la manguera. Deseche el agua donde los restos de la sustancia química no tengan efectos adversos.
9. De ser necesario, el pulverizador se puede lavar con agua tibia y jabón suave.
10. Con la bomba extraída, cuelgue el tanque boca abajo para que se drene y se seque.

ALMACENAMIENTO

1. Una vez que se hayan secado todos los componentes, inserte la bomba en el tanque y ajústela solo un poco para evitar que ingrese polvo y desechos al tanque.
2. Guarde el pulverizador en un área limpia y seca, donde no quede expuesto a la luz solar directa, calor excesivo o temperaturas heladas.

Mantenimiento



ADVERTENCIA: RIESGO DE LESIONES Y/O DAÑOS A LA PROPIEDAD DEBIDO AL ROCIADO NO INTENCIONAL DE PRODUCTOS QUÍMICOS. Asegúrese siempre de que se hayan eliminado todos los productos químicos del pulverizador y que este se haya limpiado antes de realizar cualquier mantenimiento.



ADVERTENCIA: RIESGO DE LESIONES. Siempre libere la presión del pulverizador antes de realizar cualquier mantenimiento. El desensamble de un pulverizador que todavía esté presurizado puede provocar la expulsión a alta velocidad de los componentes.

Se deben limpiar y lubricar las juntas tóricas de la bomba y el conjunto de cierre con jalea de petróleo al menos una vez por temporada. El uso intensivo puede exigir una limpieza y lubricación más frecuentes.

Resolución de problemas

Problema	Causa probable	Solución posible
Fuga de productos químicos líquidos o de aire del tanque al cilindro de la bomba.	La válvula de retención en la parte inferior del cilindro de la bomba no sella adecuadamente debido a suciedad, residuos o daños.	Retire la unidad de la bomba y revise la válvula de retención. Si está sucia, límpiela o, de ser necesario, sustitúyala.
La manguera tiene una fuga de aire en la conexión al tanque.	El adaptador de lengüeta de la manguera no está bien insertado en el tanque, la tuerca del tanque está floja o la junta tórica está dañada.	Vuelva a insertar bien el adaptador de lengüeta de la manguera, apriete la tuerca del tanque o reemplace la junta tórica.
Hay un patrón de rocío incorrecto o un volumen bajo de rocío.	El filtro del tubo de nivel o la boquilla está obstruido.	Extraiga e inspeccione el filtro del tubo de nivel o la boquilla. Limpie según sea necesario o vuelva a presurizar el tanque.
La boquilla tiene fugas cuando se cierra el conjunto de cierre (la palanca está liberada).	Hay suciedad o desechos en la válvula de cierre.	Desensamble el conjunto de cierre. Inspeccione todos los componentes. Limpie y lubrique las piezas según sea necesario. De lo contrario, reemplace el conjunto de cierre.
Hay una fuga de aire en la abertura del tanque.	La bomba no está sellada herméticamente al tanque. La junta de la bomba está dañada.	Limpie la junta de la bomba y las superficies adyacentes de sellado en el cilindro de la bomba y el tanque. Reemplace la junta si está dañada.
Hay una fuga en la punta de la boquilla.	Falta el sello de la boquilla o está mal ensamblado.	Vuelva a ensamblar la boquilla y el sello a la varilla.
Es difícil bombear el pulverizador.	La junta tórica del pistón de la bomba está dañada o no está bien lubricada.	Reemplace la junta tórica dañada. Lubrique de ser necesario con jalea de petróleo.



Questions, problems, missing parts? Before returning to the store,
call HDX Customer Service
8 a.m. - 7 p.m., EST, Monday-Friday, 9 a.m. - 6 p.m., EST, Saturday

1-800-514-6729

[HOMEDEPOT.COM/HDX](https://www.homedepot.com/hdx)

Retain this manual for future use.