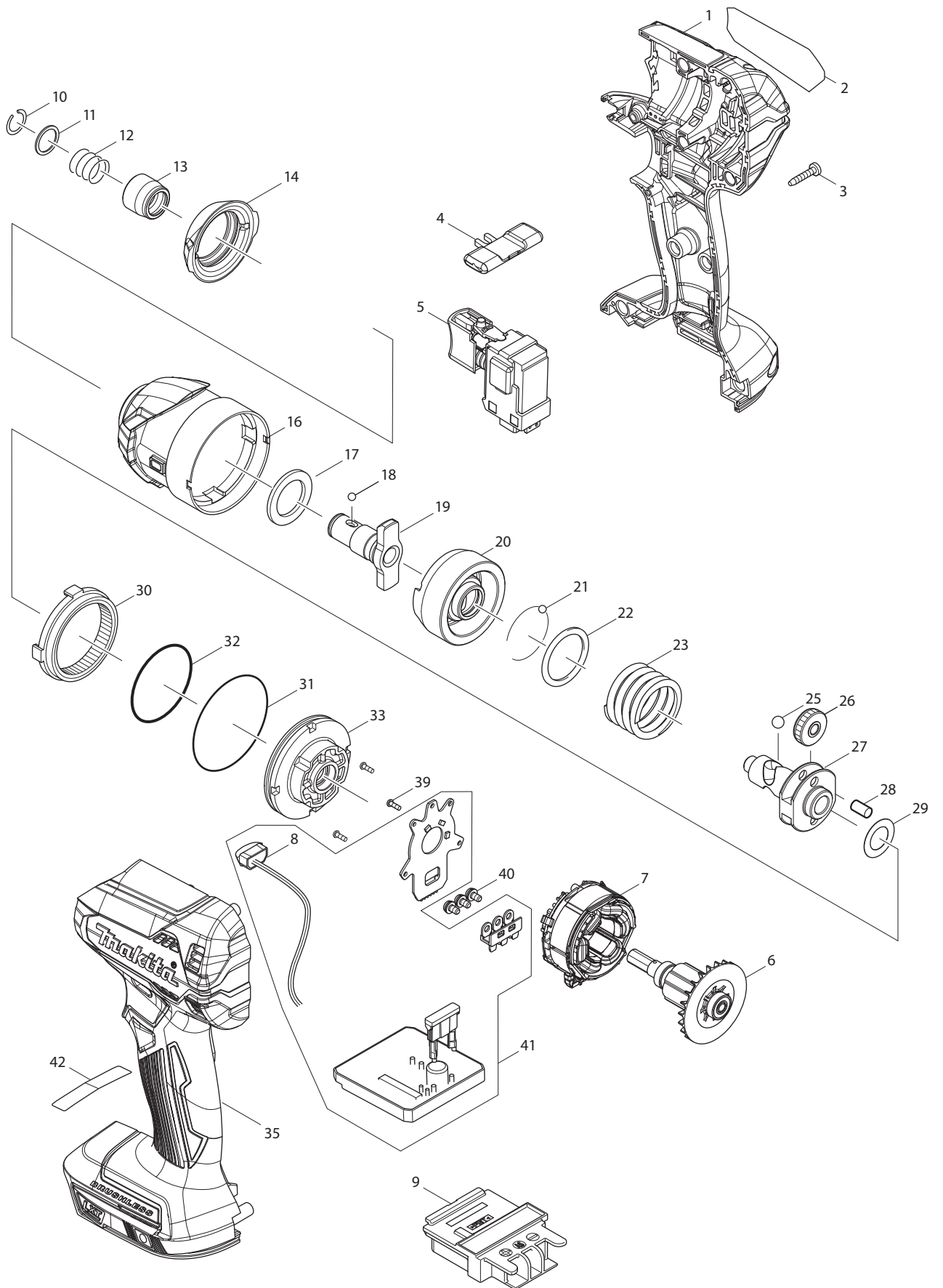


Model XPH12 M/R/Z Parts List

A = Standard Equipment

O = Circuit Diagram

Item#	Part#	Description	Q'ty	Unit
001	183E71-3	HOUSING SET	1	
	C10 263005-3	RUBBER PIN 6	2	PC.
	C20 252126-6	HEX. LOCKING NUT M4-7	2	PC.
	D10	INC. 21		
002	852L95-9	XPH12 NAME PLATE	1	
003	266429-2	TAPPING SCREW 3X16	7	PC.
004	419041-9	F/R CHANGE LEVER	1	PC.
005	650710-5	SWITCH C3JW-4B	1	
006	619406-7	ROTOR	1	
007	629225-3	STATOR	1	
008	620549-0	LED CIRCUIT	1	
009	643874-2	TERMINAL	1	PC.
010	123738-1	SPEED CHANGE LEVER ASSEMBLY	1	
	C10 233438-6	COMPRESSION SPRING 4	2	PC.
011	251497-8	TAPPING SCREW 3X20	4	
012	251468-5	- FLAT HEAD SCREW M6X22	1	PC.
013	766027-7	KEYLESS DRILL CHUCK 13	1	
014	123736-5	GEAR ASSEMBLY	1	
015	266490-9	TAPPING SCREW PT 2X6	3	PC.
016	620548-2	CONTROLLER	1	
017	652069-6	FLAT HEAD SCREW M3X6	3	PC.
018	424517-3	CUSHION	1	PC.
019	456966-6	REAR COVER	1	
020	809U04-3	CAUTION LABEL	1	
021	183E71-3	HOUSING SET	1	
	C10 263005-3	RUBBER PIN 6	2	PC.
	C20 252126-6	HEX. LOCKING NUT M4-7	2	PC.
	D10	INC. 1		
022	266429-2	TAPPING SCREW 3X16	2	PC.
A01	251314-2	+ SCREW M4X12	1	PC.
A02	346449-3	HOOK	1	PC.
A04	158597-4	PLASTIC CASE COMPLETE	1	PC. (XPH12M/R)
	C10 417724-5	LATCH	2	PC. (XPH12M/R)
A05	450128-8	BATTERY COVER	1	PC. (XPH12M/R)
A06	***DC18RC	DC18RC FAST CHARGER	1	PC. (XPH12M/R)
	D10	COMPO-PARTS		
A07	BL1840B	BATTERY BL1840B SET	2	(XPH12M)
	BL1820B	BATTERY BL1820B SET	2	(XPH12R)



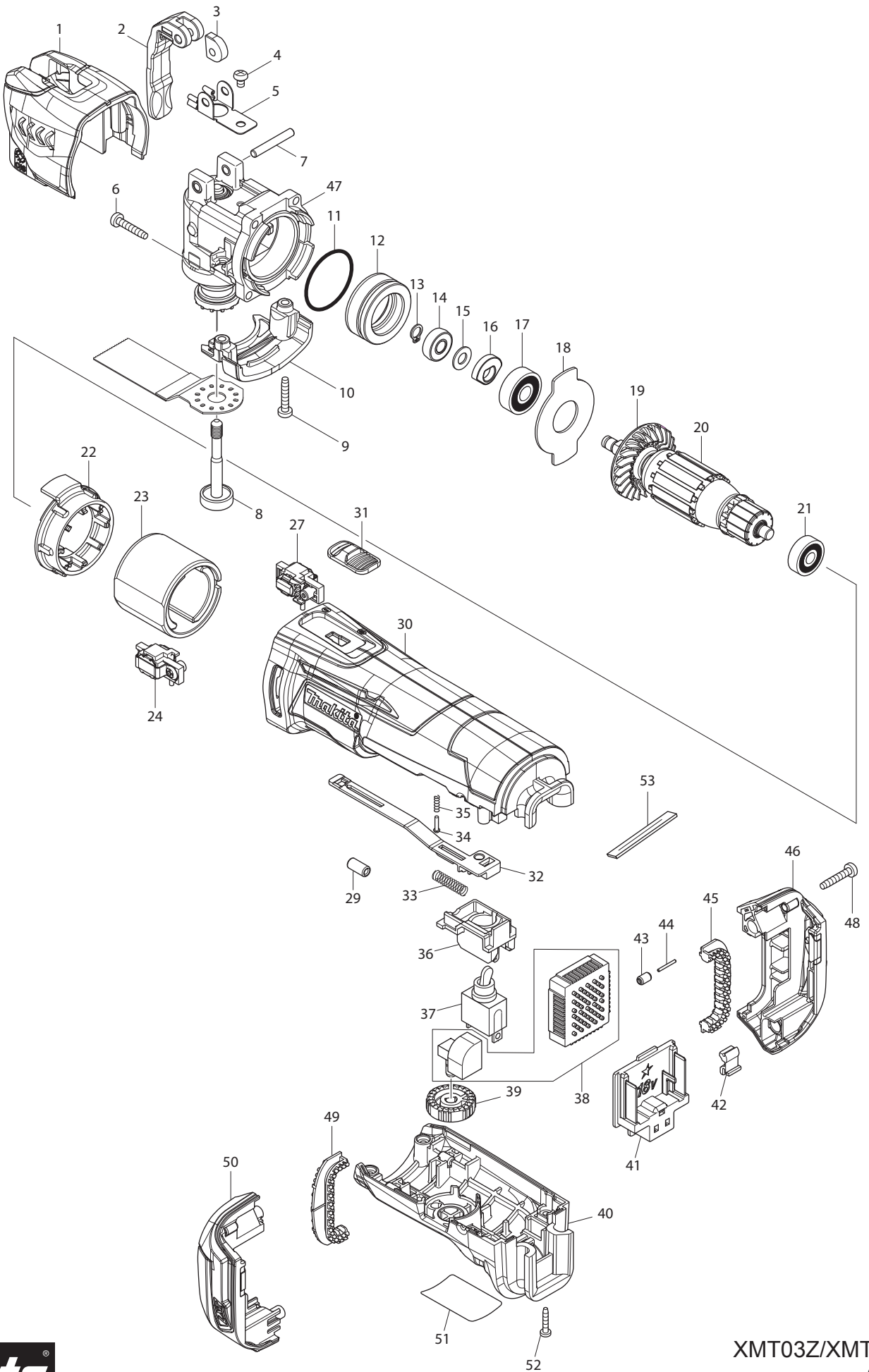
Model XDT13M/R/Z Parts List

A = Standard Equipment

O = Circuit Diagram

Item#	Part#	Description	Q'ty	Unit
001	183E34-9	HOUSING SET	1	
	C10 263005-3	RUBBER PIN 6	2	PC.
	C20 252126-6	HEX. LOCKING NUT M4-7	2	PC.
	D10	INC. 35		
002	852K78-3	XDT13 NAME PLATE	1	
003	266429-2	TAPPING SCREW 3X16	9	PC.
004	455053-8	F/R CHANGE LEVER	1	PC.
005	143975-1	SWITCH COMPLETE	1	
006	619404-1	ROTOR	1	
007	629224-5	STATOR	1	
008	620557-1	LED CIRCUIT	1	
009	643860-3	TERMINAL	1	PC.
010	231951-8	RING SPRING 11	1	PC.
011	267085-1	FLAT WASHER 12	1	PC.
012	233005-7	COMPRESSION SPRING 13	1	PC.
013	326068-1	BIT SLEEVE	1	PC.
014	424888-8	BUMPER	1	
016	143957-3	HAMMER CASE COMPLETE	1	
017	261151-6	NYLON WASHER 19	1	PC.
018	216040-0	STEEL BALL 3.5	2	PC.
019	326563-1	ANVIL M	1	
020	326564-9	HAMMER	1	
021	216040-0	STEEL BALL 3.5	24	PC.
022	267175-0	FLAT WASHER 24	1	PC.
023	234251-5	COMPRESSION SPRING 25	1	PC.
025	216041-8	STEEL BALL 5.6	2	
026	227362-3	SPUR GEAR 22	2	PC.
027	326562-3	SPINDLE	1	
028	256253-1	PIN 5	2	PC.
029	253314-8	THIN WASHER 15	1	PC.
030	227378-8	INTERNAL GEAR 51	1	
031	213606-7	O RING 48	1	PC.
032	213507-9	O RING 40	1	PC.
033	143958-1	BEARING BOX COMPLETE	1	
035	183E34-9	HOUSING SET	1	
	C10 263005-3	RUBBER PIN 6	2	PC.
	C20 252126-6	HEX. LOCKING NUT M4-7	2	PC.
	D10	INC. 1		
039	266490-9	TAPPING SCREW PT 2X6	3	PC.
040	652069-6	FLAT HEAD SCREW M3X6	3	PC.
041	620556-3	CONTROLLER	1	
	D10	INC. 8		
042	809R90-6	CAUTION LABEL	1	
A01	266622-8	+ TRUSS HEAD SCREW M4X12	1	PC.
A02	346449-3	HOOK	1	PC.
A03	450128-8	BATTERY COVER	1	PC. (XDT13M/R)
A04	***DC18RC	DC18RC FAST CHARGER	1	PC. (XDT13M/R)
	D10	COMPO-PARTS		
A05	BL1840B	BATTERY BL1840B SET	2	(XDT13M)

	BL1820B	BATTERY BL1820B SET	2	(XDT13R)
A06	141856-3	PLASTIC CARRYING CASE COMPLETE	1	PC. (XDT13M/R)
C10	162302-3	LATCH	2	PC. (XDT13M/R)



Model XMT03Z / XMT035 Parts List

A = Standard Equipment

O = Circuit Diagram

Item#	Part#	Description	Q'ty	Unit	
001	455272-6	UPPER HEAD COVER	1		
002	319059-9	LEVER	1		
003	313268-2	TURN BLOCK	1		
004	911102-6	PAN HEAD SCREW M4X6	1	PC.	
005	232282-8	LEAF SPRING	1		
006	266424-2	TAPPING SCREW 4X20	4	PC.	
007	268306-4	PIN 5	1		
008	326409-1	HOLDER BOLT	1		
009	266424-2	TAPPING SCREW 4X20	2	PC.	
010	454635-3	LOWER HEAD COVER	1		
011	213343-3	O RING 35	1	PC.	
012	326347-7	BEARING BOX	1		
013	961003-8	RETAINING RING S-7	1	PC.	
014	211392-4	SPHERE BEARING 706	1	PC.	
015	253133-2	FLAT WASHER 7	1	PC.	
016	313245-4	BALANCER	1	PC.	
017	211092-6	BALL BEARING 629DDW	1	PC.	
018	285857-2	BEARING RETAINNER	1	PC.	
019	240140-4	FAN 46	1	PC.	
020	519338-7	ARMATURE ASS'Y 18V	1		
	D10	INC. 19,21			
021	210023-2	BALL BEARING 627DDW	1	PC.	
022	455017-2	BUFFLE PLATE	1		
023	632B69-4	YOKE UNIT	1		
024	632B88-0	BRUSH HOLDER COMPLETE	1		
027	632B89-8	BRUSH HOLDER COMPLETE	1		
030	455013-0	MOTOR HOUSING	1		
031	455016-4	SWITCH KNOB	1		
032	455015-6	SWITCH LEVER	1		
033	234263-8	COMPRESSION SPRING 5	1	PC.	
034	255058-6	RIVET 2	1	PC.	
035	233002-3	COMPRESSION SPRING 3	1	PC.	
036	455018-0	SWITCH CASE	1		
037	651423-1	SWITCH	1	PC.	
038	620270-1	CONTROLLER	1		
039	271617-8	DIAL 28	1	PC.	
040	142617-4	HANDLE COVER COMPLETE	1		
	C10	263005-3	RUBBER PIN 6	3	PC.
	C20	803L22-9	CAUTION LABEL	1	
041	643852-2	TERMINAL	1	PC.	
042	424476-1	CUSHION	1	PC.	
043	263036-2	RUBBER PIN 5	1	PC.	
044	268184-2	PIN 1.5	1	PC.	
045	424473-7	CUSHION RUBBER	1	PC.	
046	187848-8	BATTERY HOUSING SET	1		
	C10	263005-3	RUBBER PIN 6	2	PC.
	D10	INC. 50			
047	142502-1	CRANK HOUSING COMPLETE	1		
048	266424-2	TAPPING SCREW 4X20	2	PC.	
049	424473-7	CUSHION RUBBER	1	PC.	

050	187848-8	BATTERY HOUSING SET	1	
	C10 263005-3	RUBBER PIN 6	2 PC.	
	D10	INC. 46		
051	815M49-3	XMT03 NAME PLATE	1	
052	266429-2	TAPPING SCREW 3X16	4 PC.	
053	423404-3	SPONGE SHEET	1 PC.	
A01	821608-5	PLASTIC CARRYING CASE	1	(XMT035)
	C10 162302-3	LATCH	2 PC.	(XMT035)
A02	***DC18RC	DC18RC FAST CHARGER	1 PC.	(XMT035)
A03	195324-8	BATTERY BL1830 SET	2 SET	(XMT035)
A04	450128-8	BATTERY COVER	1 PC.	(XMT035)
A05	142257-8	TOOL BOX COMPLETE	1	(XMT035)
	C10 454652-3	LATCH	1	(XMT035)
A06	196271-6	ADAPTER A SET	1 PC.	
A07	313249-6	ADAPTER C	1 PC.	
A08	A-95277	PLUNGE CUT SAW BLADE 32 TMA012	1 PC.	(XMT03Z)
A08A	A-95255	PLUNGE CUT SAW BLADE 32 TMA010	1 PC.	(XMT035)
A09	A-95548	ABRASIVE PAPER DELTA RED 180	1 PC.	(XMT035)
A10	A-95532	ABRASIVE PAPER DELTA RED 120	1 PC.	(XMT035)
A11	A-95423	SANDING PAD	1 PC.	(XMT035)
D01	652008-6	PAN HEAD SCREW M3.5X7	2 PC.	
D02	654077-3	INSULATED TERMINAL FK2-M3D-5.5	1 PC.	
D03	654510-5	INSULATED CONNECTOR 5.5-SD	1 PC.	