



Home

## 95-Pint Dehumidifier with Built-in Pump

### USER GUIDE

IVALDH95PWWP

Thank you for purchasing the Ivation® 95-Pint Dehumidifier with Built-in Pump. This User Guide is intended to provide you with guidelines to ensure that operation of this product is safe and does not pose risk to the user. Any use that does not conform to the guidelines described in this User Guide may void the limited warranty.

Please read all directions before using the product and retain this guide for reference. This product is intended for household use only. This product is covered by a limited one-year warranty.

Coverage is subject to limits and exclusions. See warranty for details.

#### Features

- Removes up to 95 pints (approximately 11.9 gallons/45L) of moisture from the air per day
- Meets ENERGY STAR® specifications
- Removable, cleanable filter
- Adjustable humidity control 35% — 85%
- 2-speed fan
- 24-hour timer
- Full reservoir alert
- Auto defrost
- Auto shutoff
- Auto restart
- Built-in drainage pump
- Direct drain option for continuous operation
- Casters for easy portability

ENERGY STAR and the ENERGY STAR mark are registered trademarks owned by the U.S. Environmental Protection Agency. ENERGY STAR products are third-party certified by an EPA-recognized Certification Body.

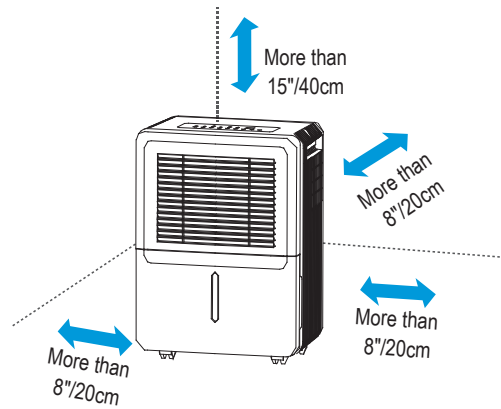
## Safety Precautions

To prevent injury to the user or other people and property damage, the following instructions must be followed.

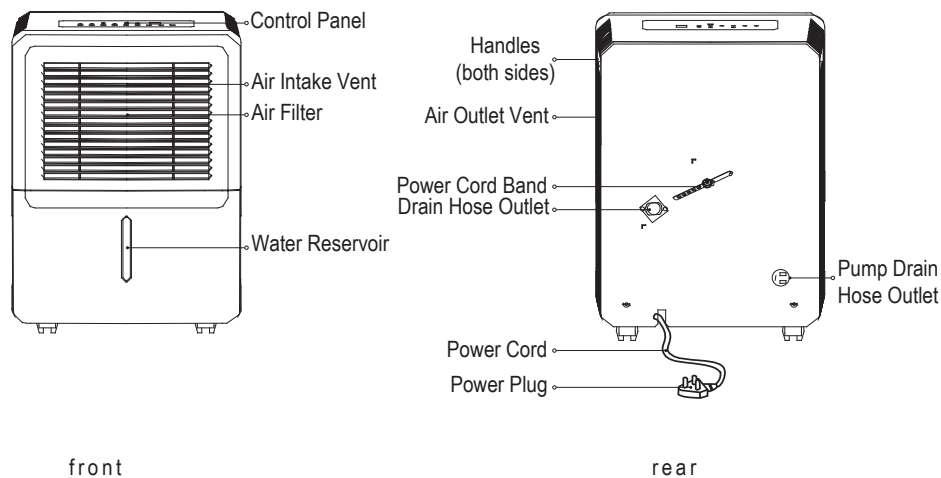
- Use this product only for its intended purpose.
- This unit is designed to operate in an environment of 41°F (5°C) — 95°F (35°C).
- Do not allow children to operate this unit.
- Do not exceed the unit's rated power.
- Do not pause the unit by turning off the power.
- Do not use a damaged or unspecified power cord.
- Do not operate the unit if the cord or plug are damaged.
- Do not modify the cord length or share the outlet with other appliances.
- Do not force casters to move over carpeting or move the unit while water is in the reservoir.
- Do not handle the plug with wet hands.
- Do not operate the unit in small spaces.
- Do not install the unit in a place where it may be exposed to combustible gas or where chemicals are handled.
- Do not place the unit near a heat source.
- Disconnect the power if unusual sounds, smells, or smoke come from the unit.
- Never attempt to take apart or repair the unit.
- Before cleaning the unit, always turn off the power and unplug it.
- Do not drink or use the water drained from the unit.
- Do not remove the water reservoir during operation.
- Do not place the unit in a place where it may become wet or damp.
- Always place the unit on a level, stable section of the floor.
- Do not cover or obstruct the intake or exhaust vents.
- Keep out of reach of children and pets.
- Never insert fingers or other objects into the vents or openings.
- Do not place heavy objects on the unit or the power cord.
- Do not climb on or sit on the unit.
- Always insert the filters securely. Clean the air filter once every two weeks.
- Do not run cord under carpeting or cover cord with throw rugs, runners, or similar coverings.
- Do not run cord under furniture or appliances or use in high-traffic areas where it may become a tripping hazard.
- To reduce the risk of fire or electric shock, do not use this unit with any solid-state speed control device.
- To avoid damage due to lightning, turn the power off and disconnect the unit in the event of a thunderstorm.
- If water enters the unit, turn it off and disconnect the power. Contact a qualified service technician.
- If the appliance is knocked over during use, immediately turn off the unit and unplug it from the main power supply. Visually inspect the unit to ensure there is no damage. If you suspect the unit has been damaged, contact a technician or customer service for assistance.
- Always contact an authorized service technician for repair or maintenance of this unit.

## Correct Placement

Place the unit with proper clearance from walls or furniture.



## Parts and Function



## Operation

### • Pump Button

Press to activate pump operation.

NOTE: Make sure the pump drain hose is installed into the unit and the continuous drain hose is removed from the unit before pump operation is activated. When the reservoir is 3/4 full, the pump will activate. Refer to the next pages for removing the collected water.

Do not use this feature when the outdoor temperature is equal to or less than 32°F (0°C).

### • Comfort Button

Press to activate continuous dehumidifying operation.

In the Comfort mode, the unit will automatically control room humidity between 45% — 55% according to the room temperature. Note that the humidity cannot be manually set while in this mode.

### • Filter Button

The filter LED light will illuminate after 250 hours of operation to remind you to clean the air filter to obtain maximum performance and efficiency. To reset after cleaning the filter, press the Filter button and the light will go off.

- Cont. Button

Continuous mode: To set the dehumidifier to run constantly without a timer, press the continuous mode button. The continuous mode light will turn on.

- Turbo Button

Press to select either high or normal fan speed. Choose high speed for maximum moisture removal.

- Timer Button

Use to set the dehumidifier to automatically start or stop. To set a time, press the timer button until the desired timer light ("On" or "Off") turns on. Use the left and right arrows to increase or decrease time.

Adjust the time in .5 hour increments up to 10 hours, and then at 1 hour increments up to 24 hours.

The selected times will register in 5 seconds and the system will then automatically revert back to displaying the humidity setting.

Turning the unit ON or OFF at any time or adjusting the timer setting to 0.0 will cancel the Auto Start/Stop function.

- Left/Right Button: Humidity Setting

The relative humidity level can be set between 35% — 85% in 5% increments.

The left/right button is also used to set the Auto Start and Auto Stop times.

- Power Button

Turns the unit on and off.

- Indicator Lights

- o Filter (Indicates that the filter should be cleaned)

- o Full (Reservoir is full)

- o Cont. (Continuous dehumidifying is in operation)

- o On (Timer)

- o Off (Timer)

- o Turbo (High fan)

- o Pump (Pump is operating)

- o Comfort (Comfort mode)

- o Auto defrost (Auto defrost operation)

## **Automatic Features**

- Auto shut off: The unit will automatically shut off when either the reservoir is full or the set humidity is reached. Wait 3 minutes before resuming operation.

- Auto defrost: When frost builds up on the evaporator coils, the compressor will cycle off and the fan will continue to run until the unit has defrosted.

- Auto restart: If the power is cut unexpectedly, the unit will restart with the previous settings when power resumes.

## Removing Collected Water

Collected water can be removed via 3 drainage options: manual drain, gravitational drain, and condensate pump drain.

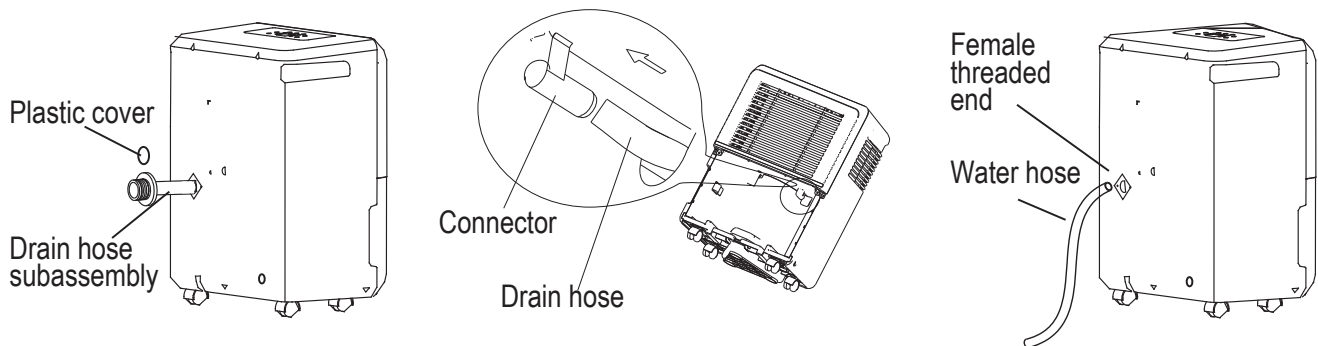
1. Manual: When the water reservoir is full, remove and empty it.

2. Continuous draining: gravitational

Water can be automatically emptied into a floor drain by attaching the unit to a water hose with a female threaded end (not included).

- a) Remove the plastic cover from the drain outlet of the unit and set aside.
- b) Remove the water reservoir and insert the hose through the drain outlet of the unit, pressing it securely into the connector on the front of the unit.
- c) Tighten the adapter and the unit with two screws (not included).
- d) Install the female threaded end of the water hose into the adapter, then lead the water hose to the floor drain or a suitable drainage facility.

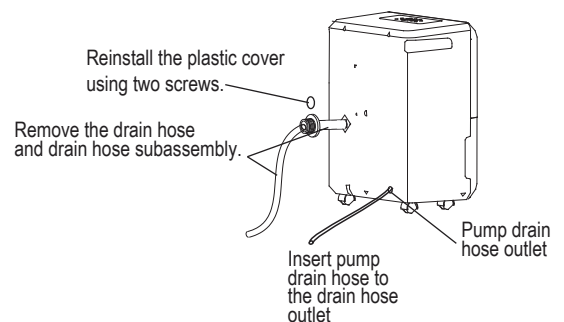
NOTE: Make sure the connection is tight and there are no leaks. The floor drain or other suitable drainage facility should be lower than the drain outlet of the unit. When the continuous drain feature is not being used, remove the drain hose from the outlet.



3. Pump draining:

Water can be pumped from the unit into a floor drain or a suitable drainage facility, and also pumped up with approximately 15 ft. of vertical lift. When activated, the pump will begin to operate when the reservoir is 3/4 full.

- a) Reinstall the plastic cover
- b) If a water drain hose has been used, remove it and the drain hose assembly.
- c) Insert one end of the pump drain hose into the pump drain hose outlet. Lead the other end of the hose to a suitable drainage facility.
- d) Press the pump button on the control panel.



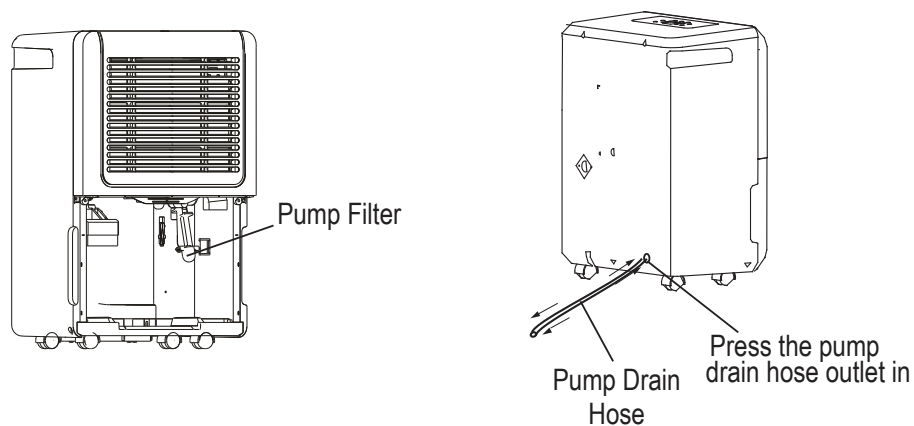
NOTE: Do not use this feature when the outdoor temperature is equal to or less than 32°F (0°C) as discarded water may freeze and damage the unit.

NOTE: In the event of a malfunction, the pump operation light will blink. Turn off the unit and unplug it from the power source. Check for the following:

- The pump filter is dirty
- The pump drain hose is kinked or blocked
- The pump drain hose connection leaks
- The pump drain hose has dropped
- The reservoir is full

Make sure to empty the reservoir once a week when using the pump draining feature.

When the pump draining feature is not being used, remove the pump drain hose from the outlet. Press the pump drain hose outlet in and take the pump drain hose out. Take care that water in the pump hose does not drip onto the floor.



## Care and Maintenance

- Turn the unit off and unplug it from the power source before cleaning.
- Do not use harsh detergents or chemicals to clean the exterior of the unit. Wipe with a clean, damp cloth.
- Remove and rinse out the reservoir about every 2 weeks.
- Remove and rinse the air filter with clean water at least every 30 days. Do not operate the unit without the air filter.
- To clean the pump filter: Remove the reservoir. Remove the pump filter and clean with water.

## Storage

- Turn the unit off and wait 1 day before emptying the reservoir.
- Clean the main unit, reservoir, and air filter and let dry completely.
- Wrap the power cord and secure it with the band on the back of the unit.
- Cover the unit to protect it from dust and moisture.
- Store the unit in a cool, dry, well-ventilated area.

## Troubleshooting

Problem	Possible Cause
Unit does not start	Make sure the power cord and plug are not damaged and that the plug completely into the wall socket. Check the fuse/circuit breaker box. Reservoir may be full. Reservoir not in the proper position.
Unit does not operate efficiently	Enough time to dry the air has not been allowed. Vents or hoses may be blocked. The humidity selected may not be low enough. Doors or windows in the room are open. Room temperature is too low (below 41° F/5°C) A kerosene heater or other appliance is giving off water vapor in the room.
The unit makes a loud noise while operating	The air filter is clogged. The unit is tilted or not placed on a level surface.
Frost appears on the coils	This is normal. The Auto Defrost feature will remove the frost.
Water is leaking from unit	Hoses or connectors may be loose. The drain plug in the back of the unit has been removed when the reservoir is being used to collect water.

## Specifications:

Rated power: 115V

Rated frequency: 60Hz

Rated current: 6.8A

Refrigerant: R410A/14.64 oz.

Moisture removal: 95 pints/day

EEV: 2.0L/kW.H

Design pressure: 540PSIG/300PSIG

Airflow: 457 — 482m<sup>3</sup>/h / 269 — 284 CFM

Reservoir: 21 pints (10L)

Noise level: 58/56dbA

Selectable relative humidity range: 35% — 85%

Environment ambient temp: 41°F (5°C) — 95°F (35°C)

Dimensions: 18.8" x 14.2" x 24.6" (47.7 x 36 x 62.5cm)

Weight: 60.6 lbs. (27.5kg)

## Customer Service:

info@myivation.com

866-849-3049