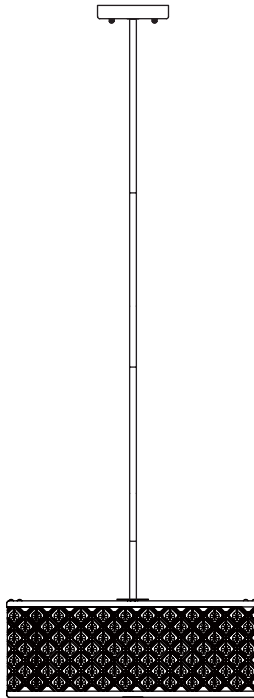


# USE AND CARE GUIDE

## 3-LIGHT PENDANT



Questions, problems, missing parts? Before returning to the store,  
call Home Decorators Collection Customer Service  
8 a.m. - 7 p.m., EST, Monday – Friday, 9 a.m. - 6 p.m., EST, Saturday

1-800-986-3460

[WWW.HOMEDEPOT.COM/HOMEDECORATORS](http://WWW.HOMEDEPOT.COM/HOMEDECORATORS)

### **THANK YOU**


*We appreciate the trust and confidence you have placed in Home Decorators Collection through the purchase of this 3-light pendant. We strive to continually create quality products designed to enhance your home. Visit us online to see our full line of products available for your home improvement needs. Thank you for choosing Home Decorators Collection!*

# Table of Contents


Table of Contents.....	2	Hardware Included.....	3
Safety Information.....	2	Package Contents.....	4
Warranty.....	2	Installation.....	5
Pre-Installation.....	3	Care & Cleaning.....	7
Planning Installation .....	3	Troubleshooting.....	7
Tools Required.....	3		

# Safety Information

- Read all instructions before assembling and installing.
- Consult a qualified electrician for installation of this fixture.
- If you have any non-electrical questions about this fixture, please contact our Customer Service Team at 1-800-986-3460 or visit [www.homedepot.com/homedecorators](http://www.homedepot.com/homedecorators).
- Please reference your SKU 1001 352 664 or (UPC 773546255226).
- Keep your receipt and these instructions for proof of purchase.

 **CAUTION:** Before starting installation of this fixture or removal of a previous fixture, disconnect the power by turning off the circuit breaker or by removing the fuse at the fuse box.

 **IMPORTANT:** Do not install this lighting system in damp or wet locations.

 **IMPORTANT:** Inspect the wire insulation for any cuts, abrasions, or exposed copper that have occurred during shipping. If there is a defect in the wire, do not continue the assembly process. Please call our Customer Service Team at 1-800-986-3460.

# Warranty

## LIMITED WARRANTY

### WHAT IS COVERED

The manufacturer warrants this lighting fixture to be free from defects in materials and workmanship for a period of five (5) years from date of purchase. This warranty applies only to the original consumer purchaser and only to products used in normal use and service. If this product is found to be defective, the manufacturer's only obligation, and your exclusive remedy, is the repair or replacement of the product at the manufacturer's discretion, provided that the product has not been damaged through misuse, abuse, accident, modification, alteration, neglect, or mishandling.

### WHAT IS NOT COVERED

This warranty shall not apply to any product that is found to have been improperly installed, set-up, or used in any way not in accordance with the instructions supplied with the product. This warranty shall not apply to a failure of the product as a result of an accident, misuse, abuse, negligence, alteration, faulty installation, or any other failure not relating to faulty material or workmanship. This warranty shall not apply to the finish on any portion of the product, such as surface and/or weathering, as this is considered normal wear and tear. The manufacturer does not warrant and specially disclaims any warranty, whether express or implied, of fitness for a particular purpose, other than the warranty contained herein. The manufacturer specifically disclaims any liability and shall not be liable for any consequential or incidental loss or damage, including but not limited to any labor/expense costs involved in the replacement or repair of said product.

Contact Customer Care at 1-800-986-3460 or visit [www.homedepot.com/homedecorators](http://www.homedepot.com/homedecorators).

# Pre-Installation

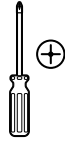
## PLANNING INSTALLATION

Read all instructions before assembly and installation. To avoid damaging this product, assemble it on a soft, non-abrasive surface, such as carpet or cardboard. Inspect each part for defects that may have occurred during shipping. Keep your receipt and these instructions for proof of purchase.

## TOOLS REQUIRED



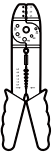
Safety goggles



Phillips screwdriver



Flathead screwdriver



Wire strippers



Wire cutters



Ladder

## HARDWARE INCLUDED



**NOTE:** Hardware not shown to actual size.



AA



BB



CC



DD



EE

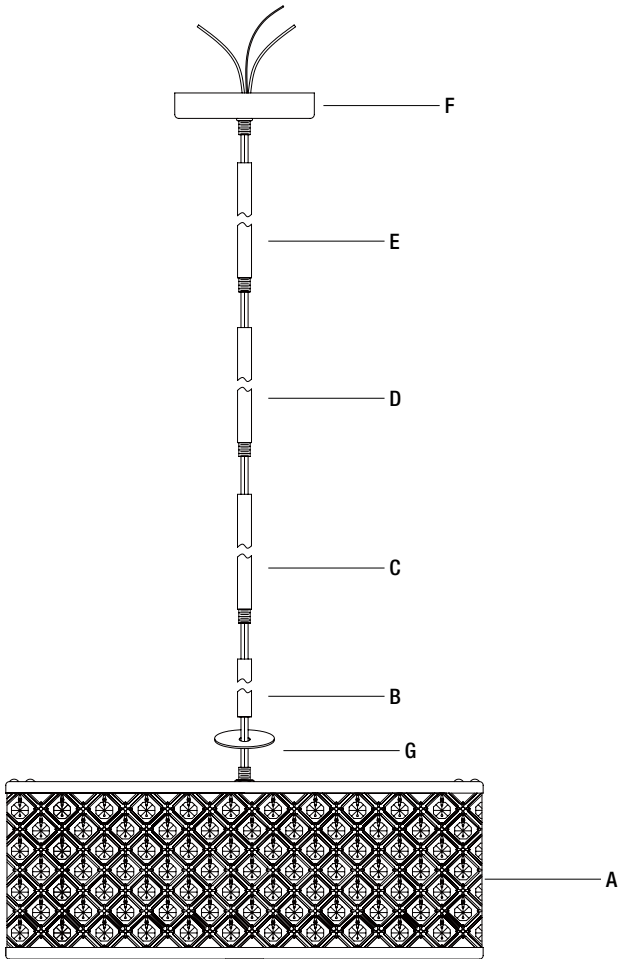


FF

Part	Description	Quantity
AA	Wire nut	3
BB	Outlet box screw	2
CC	Ground screw	1
DD	Mounting screw	2
EE	Universal crossbar	1
FF	Ball nut	2

# Pre-Installation (continued)

## PACKAGE CONTENTS



Part	Description	Quantity
A	Fixture body	1
B	Center rod B	1
C	Center rod C	1
D	Center rod D	1
E	Center rod E	1
F	Canopy	1
G	Metal washer	1

# Installation

## 1 Installing the center rods

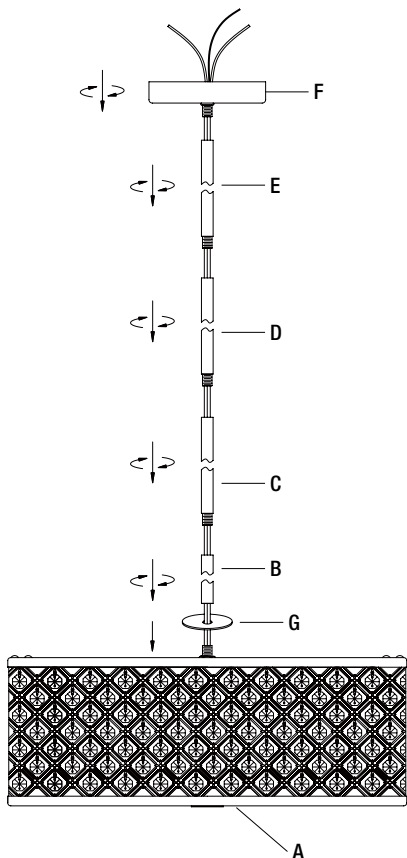


**WARNING:** Turn off power at the main fuse box.

- Carefully unpack the fixture. Lay out all the parts on a clean surface.
- With reference to the line drawing, place the metal washer (G) onto the fixture body (A). Then install the center rod (B) to the fixture body (A) and twist clockwise to secure in place.
- Install center rods C, D, E, and the canopy (F) by twisting each piece clockwise as the figure shows.

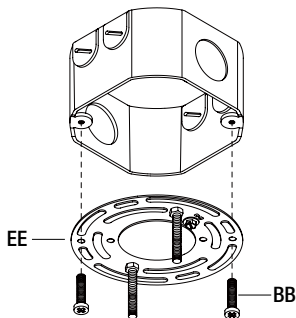
**NOTE:**

- Inspect shade for missing or damaged crystal beads.
- Check plastic bag that contained the shade for crystal beads that may have fallen off during transit.
- Replace damaged or missing crystal beads by inserting in the hook through the hole on the shade. Extra crystal beads have been included for this purpose.



## 2 Installing the universal crossbar

- Install the universal crossbar (EE) to the junction box (not included) with the two outlet box screws (BB). Make sure black and white wires of the junction box run through the middle opening of the universal crossbar (EE).

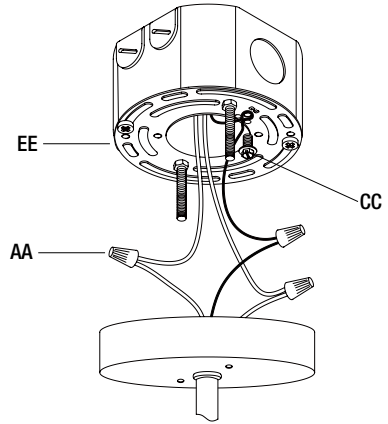
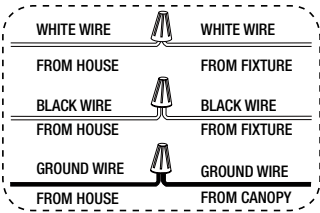


## 3 Making the electrical connections



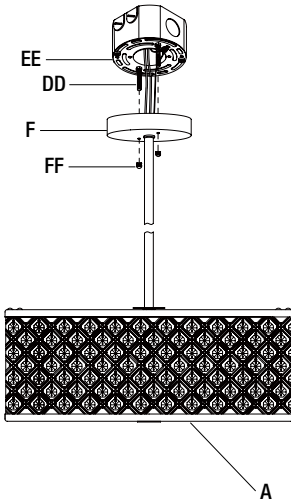
**NOTE:** Always use the wire nuts (AA) to connect wires and push all excess wires and connections back into the junction box (not included).

- Fasten the open end of the ground wire (bare copper or green wire) to the ground wire from the junction box or the ground screw (CC) on the universal crossbar (EE).
- Connect the black wire of the power supply to the black wire of the fixture and connect the white wire of the power supply to the white wire of the fixture.



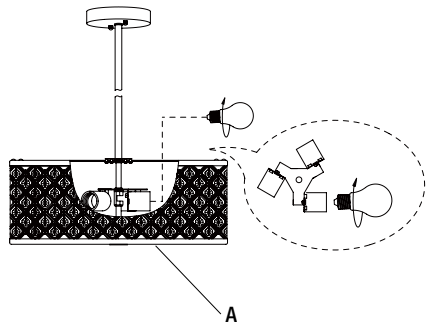
## 4 Installing the fixture body

- Install the canopy (F) of the fixture body (A) over the universal crossbar (EE) and tighten the two ball nuts (FF) to the mounting screws (DD).



## 5 Installing the bulbs

- Install 60W max. A19 bulbs (not included) to each socket of the fixture body (A).



## Care and Cleaning

- Clean the light fixture carefully with a soft, dry cloth. Do not use any cleaners with chemicals, solvents, or harsh abrasives.

## Troubleshooting

Problem	Possible Cause	Solution
□ The bulb will not light.	□ The bulb is burned out.	□ Replace the light bulb.
	□ The power is off.	□ Ensure that the power supply is turned on.
	□ The circuit breaker is off.	□ Ensure that the circuit breaker is set to the ON position.
□ The fuse blows or the circuit breaker trips when the light is turned on.	□ There are too many items on one circuit.	□ Unplug the other items on the circuit. □ Contact a qualified electrician or call the Customer Service Team at 1-800-986-3460.

# HOME DECORATORS COLLECTION

Questions, problems, missing parts? Before returning to the store,  
call Home Decorators Collection Customer Service  
8 a.m. - 7 p.m., EST, Monday – Friday, 9 a.m. - 6 p.m., EST, Saturday

1-800-986-3460

[WWW.HOMEDEPOT.COM/HOMEDECORATORS](http://WWW.HOMEDEPOT.COM/HOMEDECORATORS)

Retain this manual for future use.