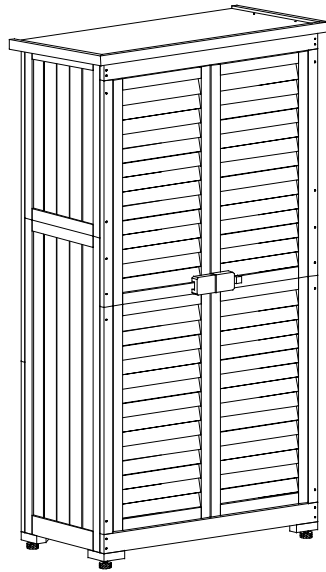
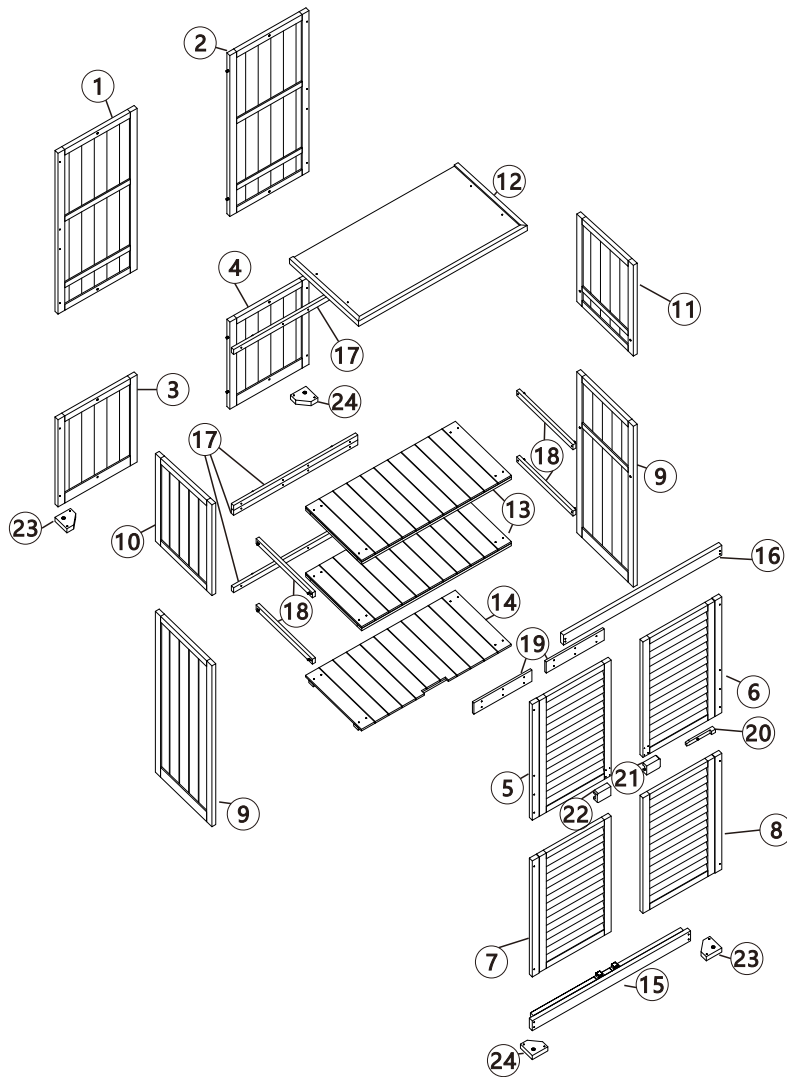


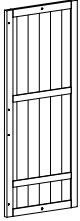
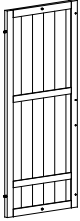
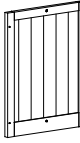
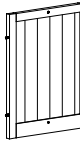
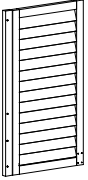
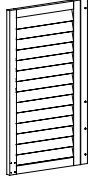
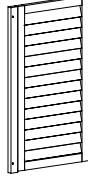
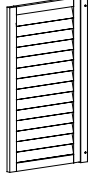
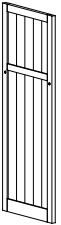
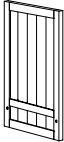
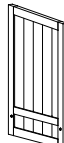
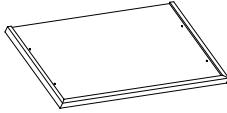

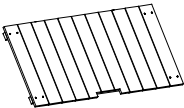







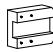
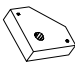

WF285327AAA & AAE









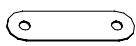


Detail View



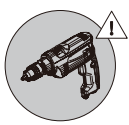
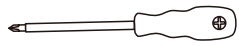
WF285327AAA & AAE

1		2		3		4	
Left upper of back panel – 1pc		Right upper of back panel – 1pc		Left lower of back panel– 1pc		Right lower of back panel– 1pc	
5		6		7		8	
Upper part of right door– 1pc		Upper part of left door– 1pc		Lower part of left door– 1pc		Lower part of right door– 1pc	
9		10		11		12	
Lower part of side panel– 2pcs		Upper part of right side panel– 1pc		Upper part of left side panel– 1pc		Roof– 1pc	
13		14		15		16	
Wood board– 2pcs		Floor– 1pc		Lower slat of front panel– 1pc		Upper slat of front panel– 1pc	
17		18		19		20	
Connection of back panel– 4pcs		Connection of side panel– 4pcs		Connection of door– 2pcs		Wood bolt– 1pc	
21		22		23		24	
Wood handle– 1– 1pc		Wood handle– 2– 1pc		Wood block– 1– 2pcs		Wood block– 1– 2pcs	

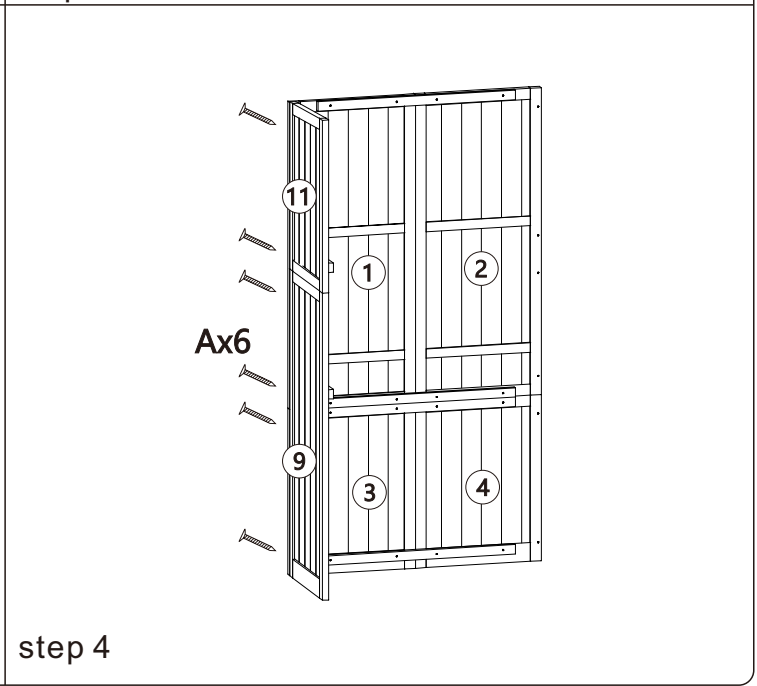
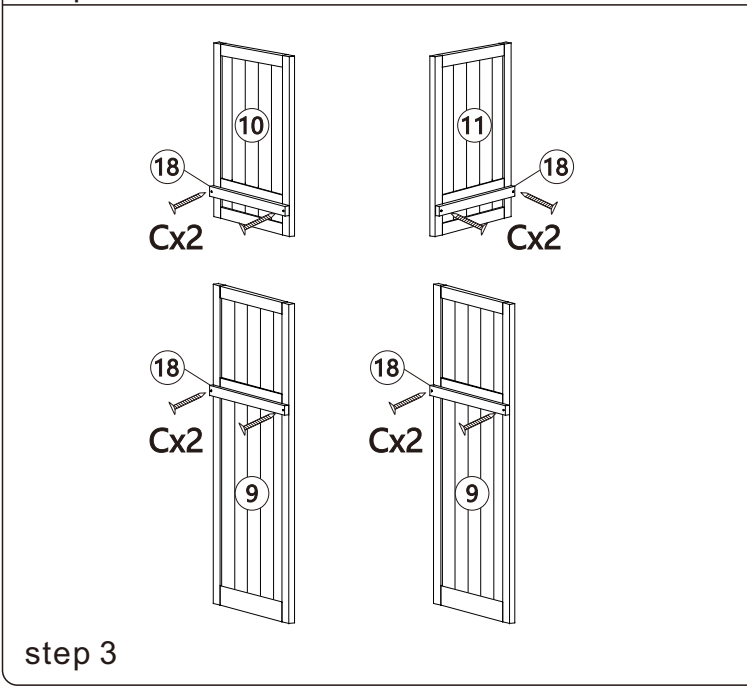
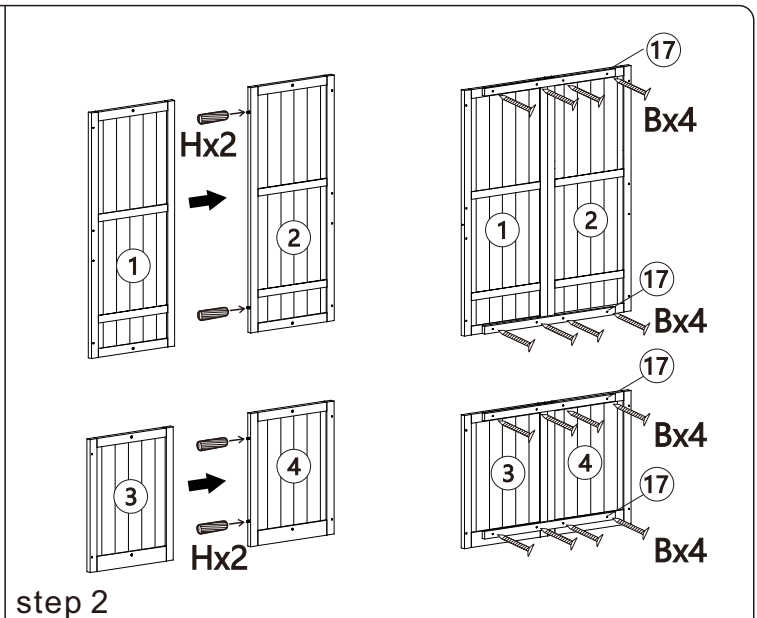
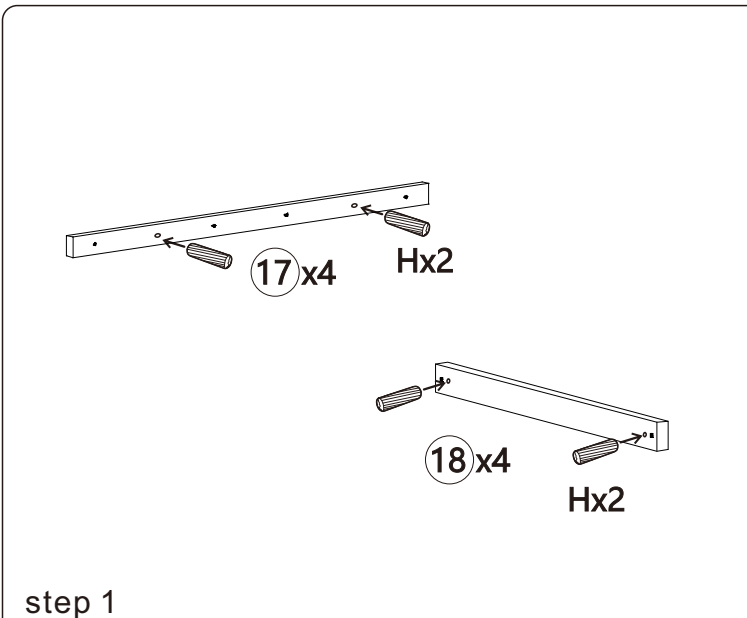
Hardware List

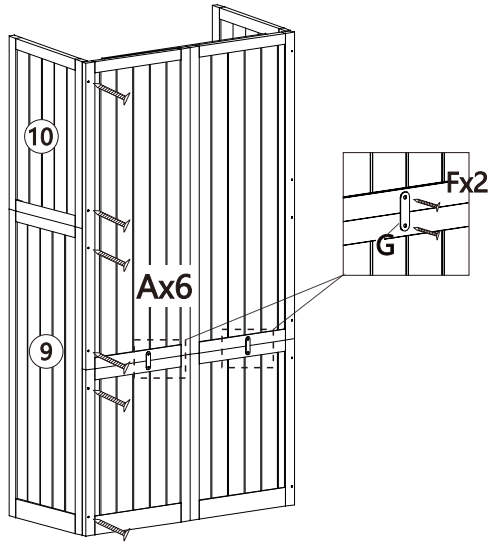
A  3.5*40 Ph zinc screws-40+1pcs	B  3.5*30 Ph zinc screws-20+1pcs	C  3.0*30 Ph zinc screws-8+1pcs	D  3.0*38 Ph zinc screws-8+1pcs
E  3.0*25 Ph zinc screws-12+1pcs	F  3.0*16 Ph zinc screws-4+1pcs	G  Ph zinc connection -2pcs	H  Dowls-20pcs
I  Ajustable rubber feet-4pcs			

ASSEMBLY TOOLS REQUIRED(NOT INCLUDED)

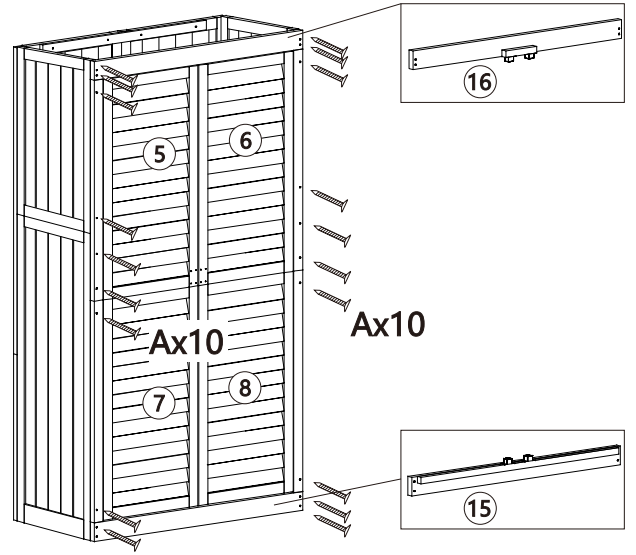


PLEASE BE CAREFUL DO NOT DAMAGE THE HOLE POSITION WHEN YOU USE POWERTOOLS !

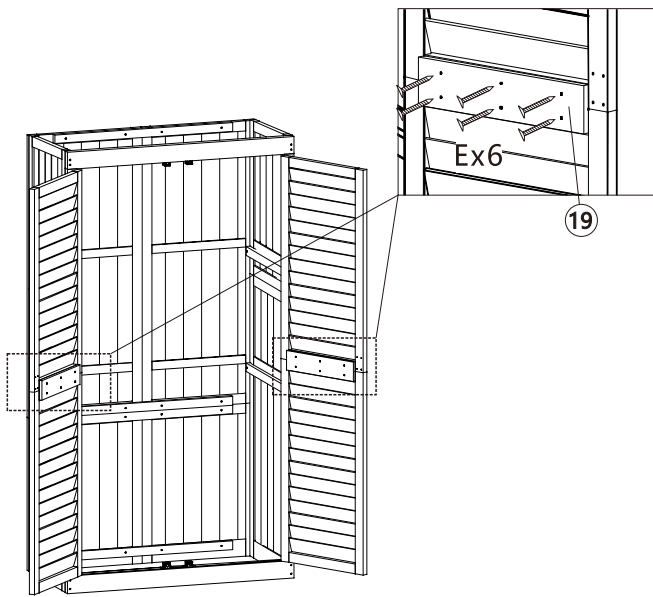




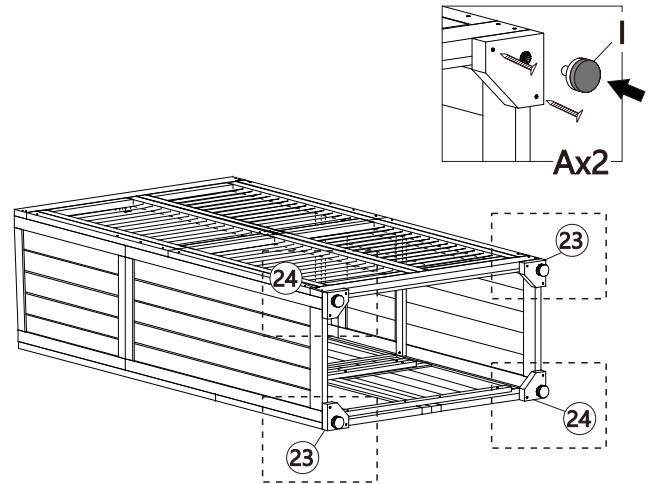
step 5



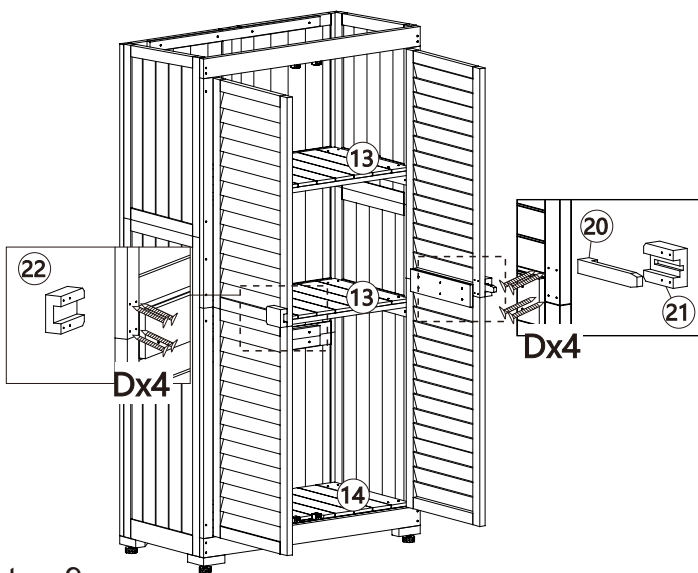
step 6



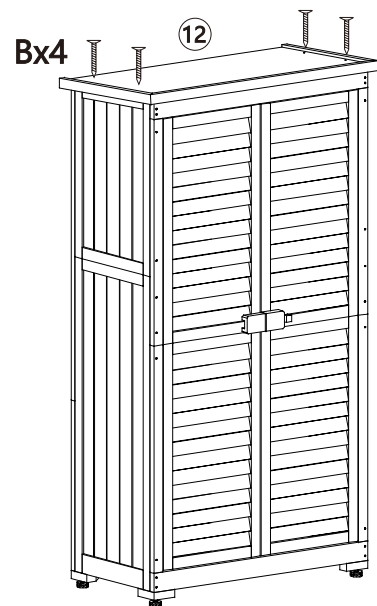
step 7



step 8



step 9



step 10