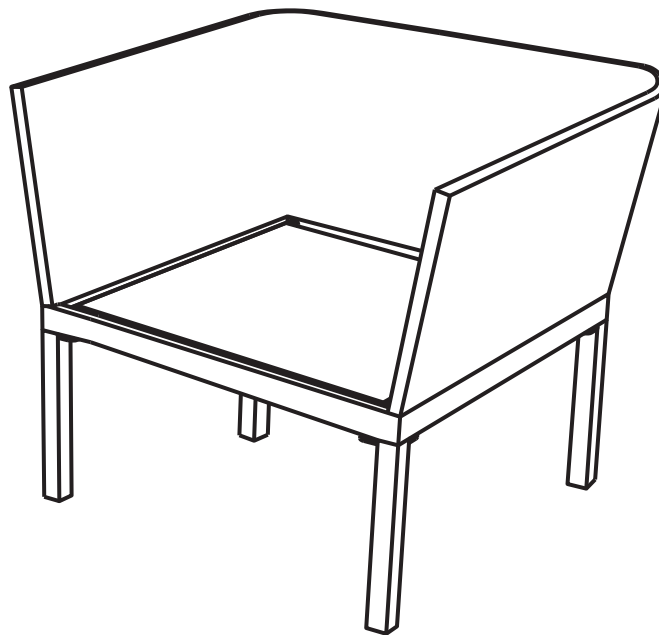


## USE AND CARE GUIDE

---

### Oakshire Wicker 2 pk Chat Chairs - Tan



Questions, problems, missing parts?  
Before returning to the store, call Customer Service  
8 a.m. - 7 p.m., EST, Monday - Friday, 9 a.m. - 6 p.m., EST, Saturday

**1-877-527-0313**

**HOMEDEPOT.COM**

#### **THANK YOU**

*We appreciate the trust and confidence you have placed in StyleWell through the purchase of this conversation set. We strive to continually create quality products designed to enhance your home. Visit us online to see our full line of products available for your home improvement needs. Thank you for choosing StyleWell!*

# Table of Contents

Table of Contents.....	2	Pre-Assembly-Single Chair .....	3
Important Safety Instructions.....	2	Planning Assembly .....	3
Save These Instructions .....	2	Hardware Included .....	3
Read All Instructions Before Use .....	2	Package Contents.....	4
Warranty .....	2	Assembly-Single Chair.....	5
What is Covered .....	2	Care and Cleaning-Single Chair.....	7
What is Not Covered .....	2		

# Important Safety Instructions

## SAVE THESE INSTRUCTIONS



**WARNING:** Never use this product as a support. Do not shake, lean, or climb on the product at any time.



**WARNING:** Do not place heavy objects on the product.

## READ ALL INSTRUCTIONS BEFORE USE

When using a furnishing, basic precautions should always be followed, including the following:

To reduce the risk of injury to persons:

- a) Close supervision is necessary when this furnishing is used by, or near children, or disabled persons.
- b) Use this furnishing only for its intended use as described in these instructions. Do not use attachments not recommended by the manufacturer.

This single chair was made for the explicit purpose of providing outdoor functions and is not to be used as a toy. This product is not intended for inclement / severe weather in any form including, but not limited to: rain, hail, sleet, snow and / or wind. The manufacturer recommends storing and / or covering this product when formidable weather is approaching. Do not locate the product near open flames. Children under the age of 10, near the product, should be supervised by a competent adult at all times. This product is NOT intended for commercial use and will void the warranty.



**CAUTION:** Do not locate the product near any heat source.



**CAUTION:** When not in use, secure the product in a cool and covered location.

# Warranty

## 1 YEAR LIMITED WARRANTY

### WHAT IS COVERED

We warrant the single chair to be free of manufacturing defects to the original purchaser for one year.

### WHAT IS NOT COVERED

It remains the customer's responsibility for freight and packaging charges to and from our service center. This warranty does not cover commercial use, hardware, acts of nature, fire, freezing and abusive use. In addition, purchased parts are not covered under this warranty. We reserve the right to make substitutions with similar merchandise, if the model in question is no longer in production.

Contact the Customer Service Team at 1-877-527-0313 or visit [www.HomeDepot.com](http://www.HomeDepot.com).

# Pre-Assembly - Single Chair

## PLANNING ASSEMBLY

Read all instructions before assembly.

To avoid damaging this product, assemble it on a soft, non-abrasive surface such as carpet or cardboard.

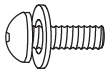


**NOTE:** More than one person may be required to assemble this product.

## HARDWARE INCLUDED - SINGLE CHAIR



**NOTE:** Hardware not shown to actual size.

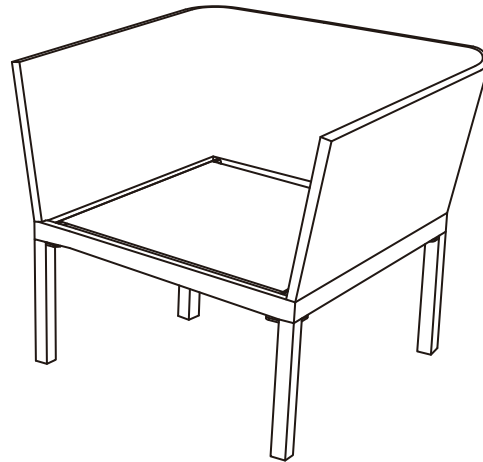


AA



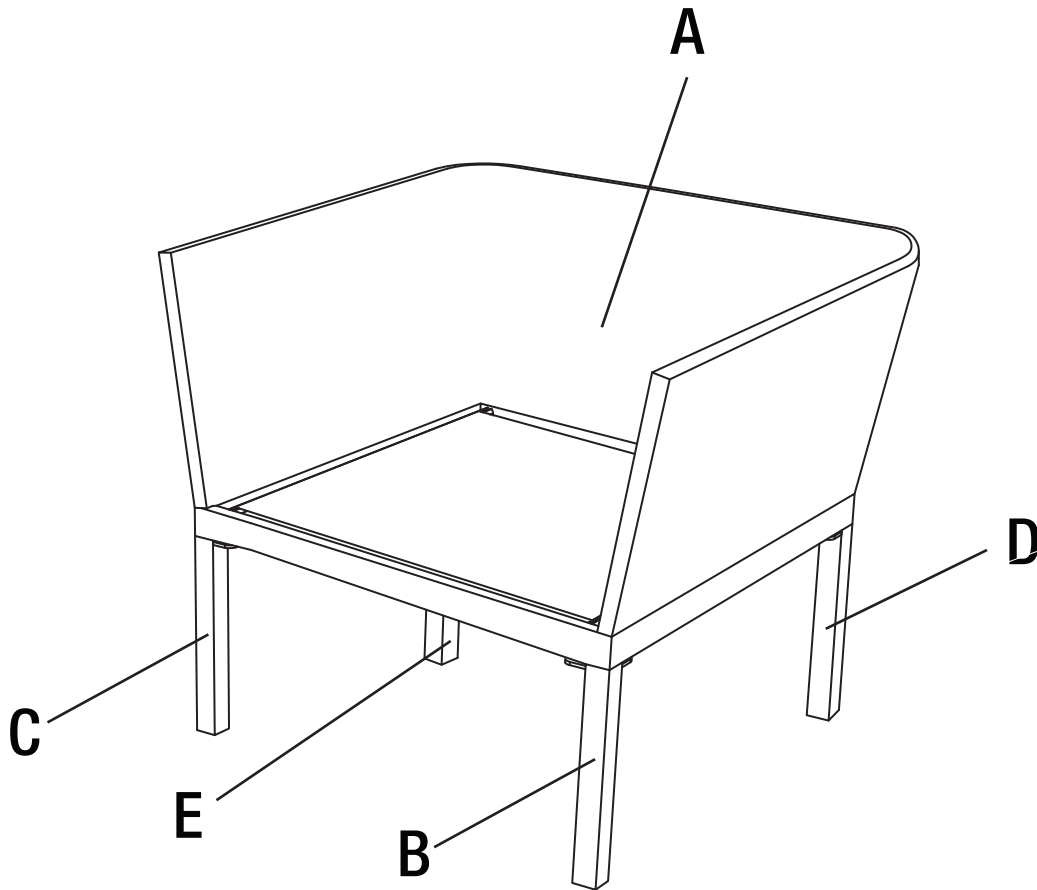
BB

Part	Description	Quantity
AA	Bolt M6x15	12
BB	Hex Wrench	1



# Pre-Assembly (continued)

## PACKAGE CONTENTS

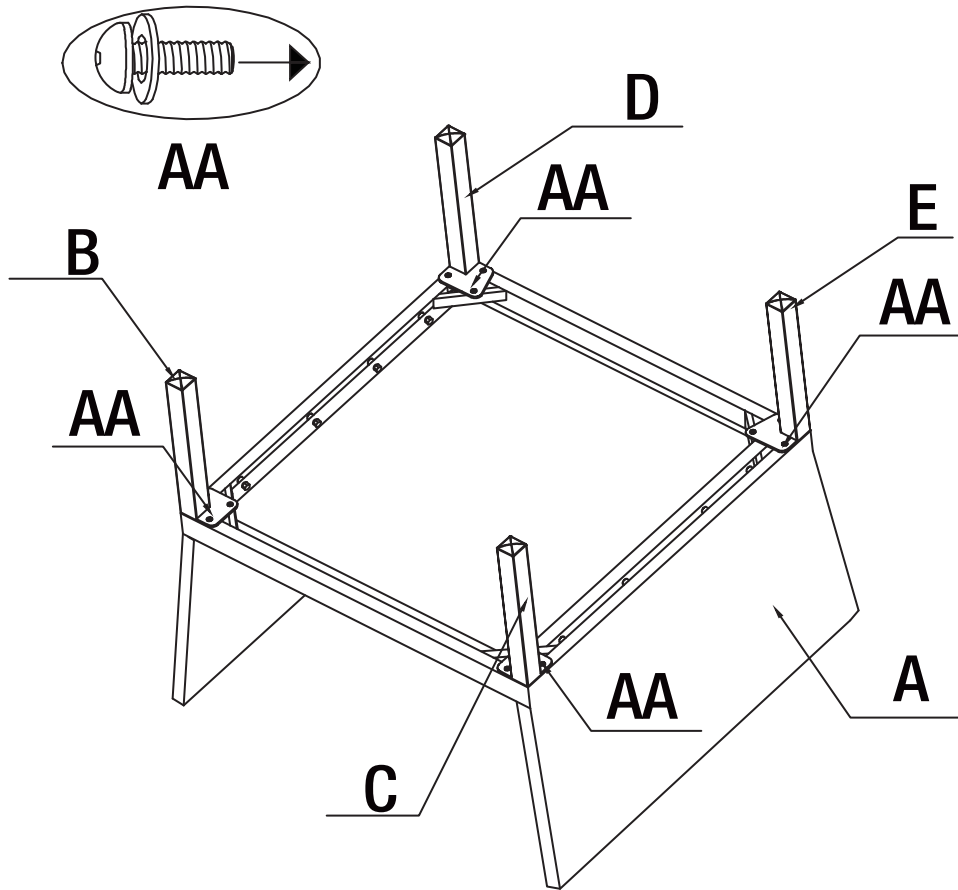


Part	Description	Quantity
A	Seat	1
B	Left Front Foot	1
C	Right Front Foot	1
D	Left Rear Foot	1
E	Right Rear Foot	1

# Assembly-Single Chair

## 1 Attaching the four legs with the seat

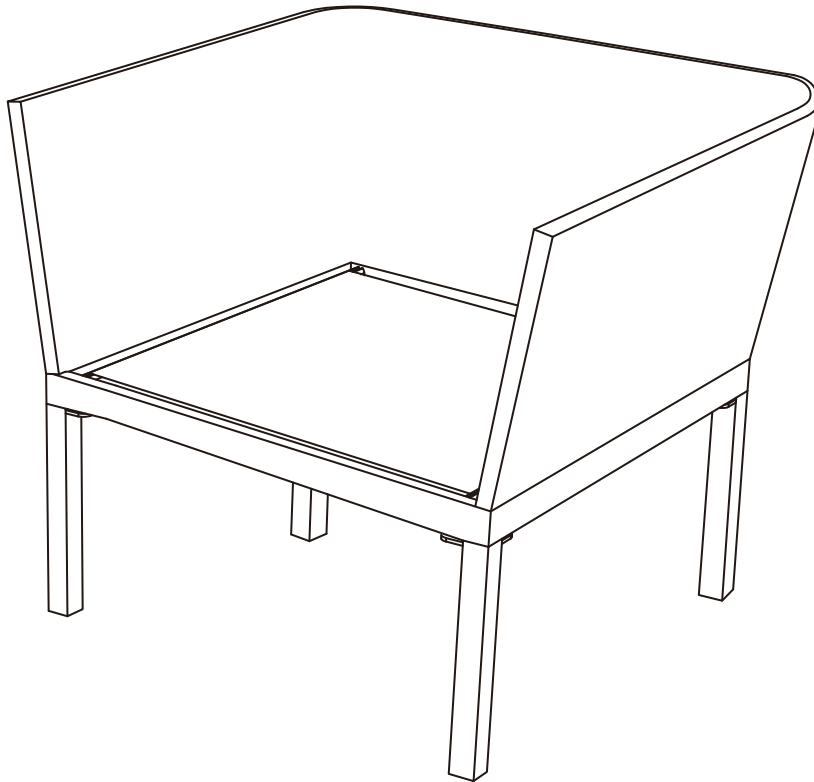
- Attach the legs (B/C/D/E) to the seat with bolts (AA). Loosely tighten using the hex wrench (BB).



## Assembly (continued)

### 2 Checking the single chair

- Fully tighten all bolts.
- Ensure all connections are secure before use.



## Care and Cleaning-Single Chair

- For best results, clean the chair with a damp cloth and dry thoroughly. This will help prevent mildew by removing dirt particles that may accumulate.
- Do not clean with abrasive materials, bleach, or solvents.
- Store the chair in a dry, sheltered place when not in use.
- Keep the chair away from fire, extreme heat, freezing conditions, and inclement weather such as rain, hail, sleet, snow, or wind.

# StyleWell.™

Questions, problems, missing parts? Before returning to the store,  
call StyleWell Customer Service  
8 a.m. - 7 p.m., EST, Monday - Friday, 9 a.m. - 6 p.m., EST, Saturday

**1-877-527-0313**

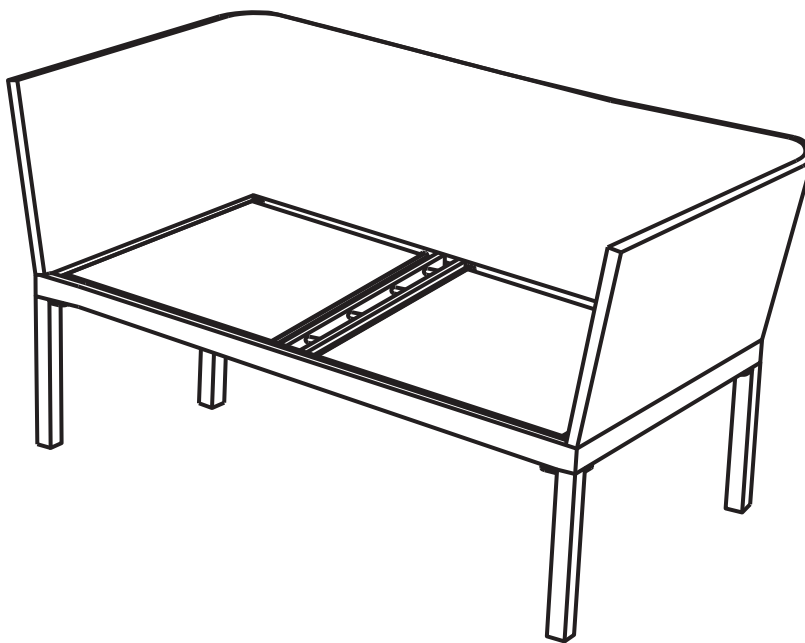
**HOMEDEPOT.COM**

Retain this manual for future use.

## USE AND CARE GUIDE

---

### Oakshire Wicker Loveseat - Tan



Questions, problems, missing parts?  
Before returning to the store, call Customer Service  
8 a.m. - 7 p.m., EST, Monday - Friday, 9 a.m. - 6 p.m., EST, Saturday

**1-877-527-0313**

**HOMEDEPOT.COM**

#### **THANK YOU**

*We appreciate the trust and confidence you have placed in StyleWell through the purchase of this conversation set. We strive to continually create quality products designed to enhance your home. Visit us online to see our full line of products available for your home improvement needs. Thank you for choosing StyleWell!*



# Table of Contents

Table of Contents.....	2	Pre-Assembly-Loveseat .....	3
Important Safety Instructions.....	2	Planning Assembly .....	3
Save These Instructions .....	2	Hardware Included .....	3
Read All Instructions Before Use .....	2	Package Contents.....	4
Warranty .....	2	Assembly-Loveseat .....	5
What is Covered .....	2	Care and Cleaning-Loveseat .....	6
What is Not Covered .....	2		

# Important Safety Instructions

## SAVE THESE INSTRUCTIONS



**WARNING:** Never use this product as a support. Do not shake, lean, or climb on the product at any time.



**WARNING:** Do not place heavy objects on the product.

## READ ALL INSTRUCTIONS BEFORE USE

When using a furnishing, basic precautions should always be followed, including the following:

To reduce the risk of injury to persons:

- a) Close supervision is necessary when this furnishing is used by, or near children, or disabled persons.
- b) Use this furnishing only for its intended use as described in these instructions. Do not use attachments not recommended by the manufacturer.



**CAUTION:** Do not locate the product near any heat source.



**CAUTION:** When not in use, secure the product in a cool and covered location.

This loveseat was made for the explicit purpose of providing outdoor functions and is not to be used as a toy. This product is not intended for inclement / severe weather in any form including, but not limited to: rain, hail, sleet, snow and / or wind. The manufacturer recommends storing and / or covering this product when formidable weather is approaching. Do not locate the product near open flames. Children under the age of 10, near the product, should be supervised by a competent adult at all times. This product is NOT intended for commercial use and will void the warranty.

# Warranty

## 1 YEAR LIMITED WARRANTY

### WHAT IS COVERED

We warrant the loveseat to be free of manufacturing defects to the original purchaser for one year.

### WHAT IS NOT COVERED

It remains the customer's responsibility for freight and packaging charges to and from our service center. This warranty does not cover commercial use, hardware, acts of nature, fire, freezing and abusive use. In addition, purchased parts are not covered under this warranty. We reserve the right to make substitutions with similar merchandise, if the model in question is no longer in production.

Contact the Customer Service Team at 1-877-527-0313 or visit [www.HomeDepot.com](http://www.HomeDepot.com).

# Pre-Assembly - Loveseat

## PLANNING ASSEMBLY

Read all instructions before assembly.

To avoid damaging this product, assemble it on a soft, non-abrasive surface such as carpet or cardboard.

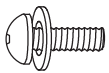


**NOTE:** More than one person may be required to assemble this product.

## HARDWARE INCLUDED - LOVESEAT



**NOTE:** Hardware not shown to actual size.

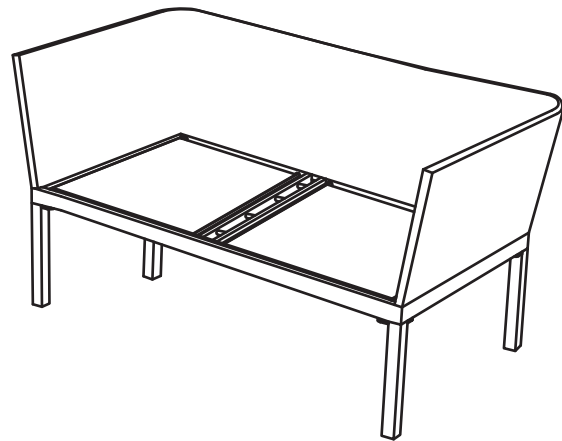


AA



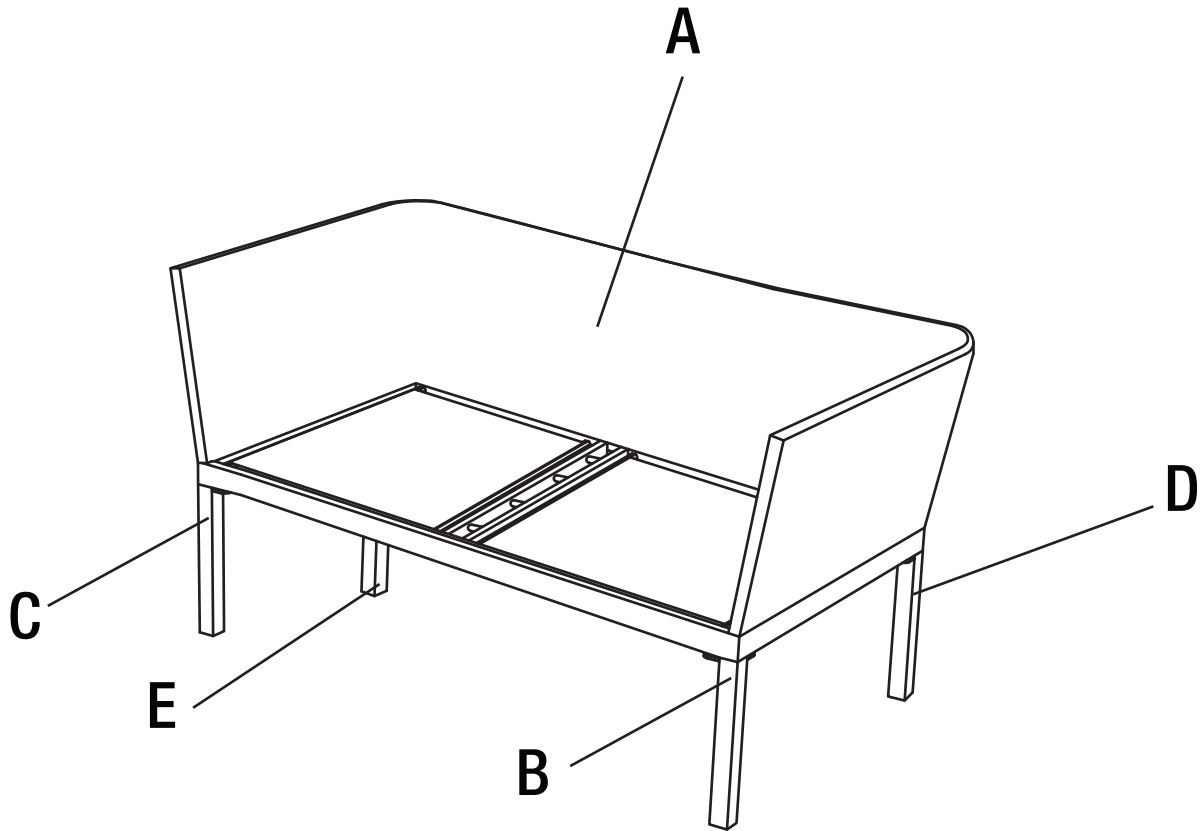
BB

Part	Description	Quantity
AA	Bolt M6x15	12
BB	Hex Wrench	1



# Pre-Assembly (continued)

## PACKAGE CONTENTS

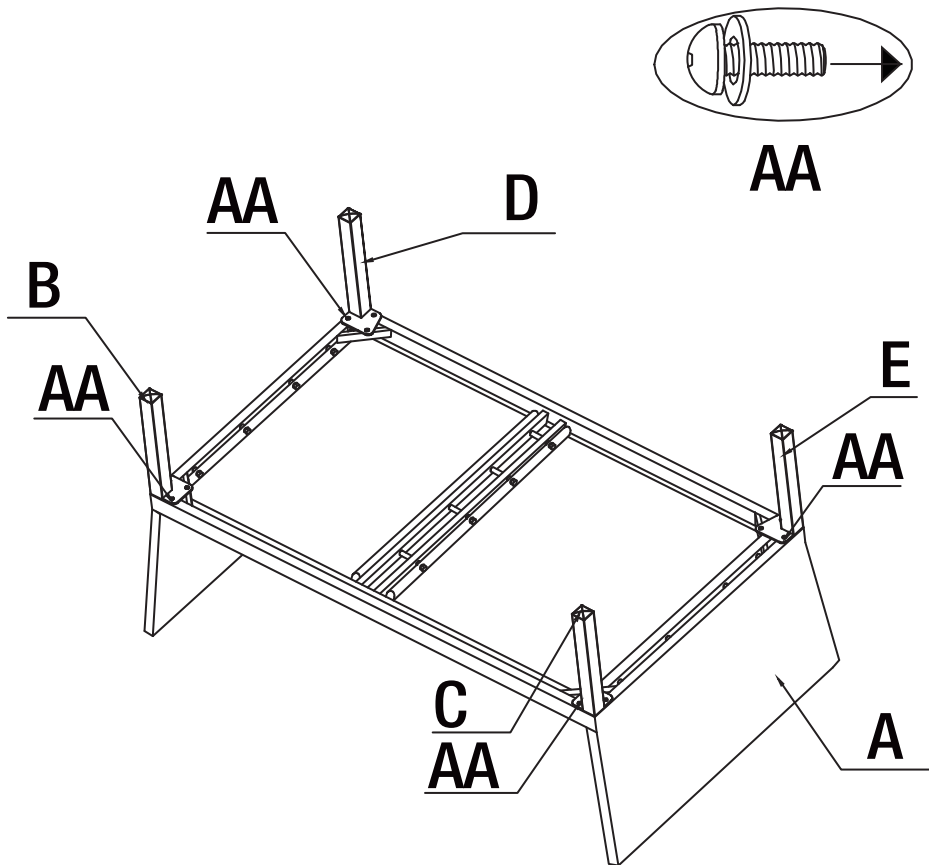


Part	Description	Quantity
A	Seat	1
B	Left Front Foot	1
C	Right Front Foot	1
D	Left Rear Foot	1
E	Right Rear Foot	1

# Assembly-Loveseat

## 1 Attaching the legs to the seat

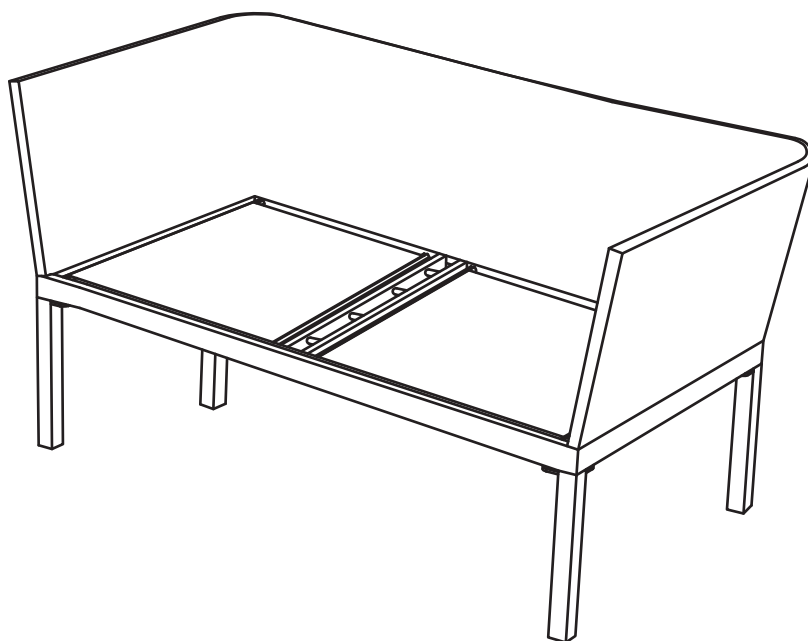
- Attach the legs (B/C/D/E) to the seat (A) using bolts (AA). Loosely tighten using the hex wrench (BB).



## Assembly (continued)

### 2 Checking the loveseat

- Fully tighten all bolts.
- Ensure all connections are secure before use.



## Care and Cleaning-Loveseat

- For best results, clean the loveseat with a damp cloth and dry thoroughly. This will help prevent mildew by removing dirt particles that may accumulate.
- Do not clean with abrasive materials, bleach, or solvents.
- Store the loveseat in a dry, sheltered place when not in use.
- Keep the loveseat away from fire, extreme heat, freezing conditions, and inclement weather such as rain, hail, sleet, snow, or wind.

# StyleWell.™

Questions, problems, missing parts? Before returning to the store,  
call StyleWell Customer Service  
8 a.m. - 7 p.m., EST, Monday - Friday, 9 a.m. - 6 p.m., EST, Saturday

**1-877-527-0313**

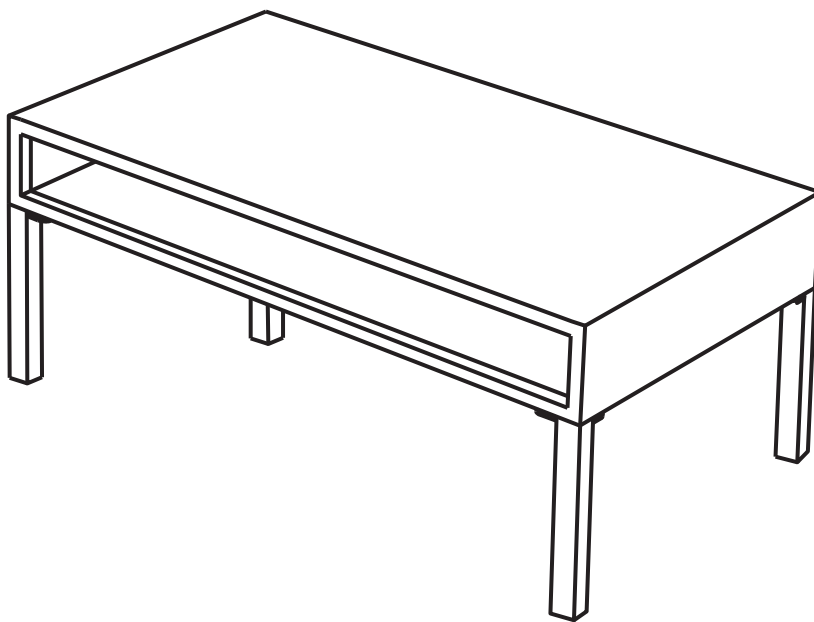
**HOMEDEPOT.COM**

Retain this manual for future use.

## USE AND CARE GUIDE

---

### Oakshire Wicker Coffee Table



Questions, problems, missing parts?  
Before returning to the store, call Customer Service  
8 a.m. - 7 p.m., EST, Monday - Friday, 9 a.m. - 6 p.m., EST, Saturday

**1-877-527-0313**

**HOMEDEPOT.COM**

#### **THANK YOU**

*We appreciate the trust and confidence you have placed in StyleWell through the purchase of this conversation set. We strive to continually create quality products designed to enhance your home. Visit us online to see our full line of products available for your home improvement needs. Thank you for choosing StyleWell!*

# Table of Contents

Table of Contents.....	2	Pre-Assembly-Coffee Table.....	3
Important Safety Instructions.....	2	Planning Assembly .....	3
Save These Instructions .....	2	Hardware Included .....	3
Read All Instructions Before Use .....	2	Package Contents.....	4
Warranty .....	2	Assembly-Coffee Table.....	5
What is Covered .....	2	Care and Cleaning-Coffee Table.....	7
What is Not Covered .....	2		

# Important Safety Instructions

## SAVE THESE INSTRUCTIONS



**WARNING:** Never use this product as a support. Do not shake, lean, or climb on the product at any time.



**WARNING:** Do not place heavy objects on the product.

## READ ALL INSTRUCTIONS BEFORE USE

When using a furnishing, basic precautions should always be followed, including the following:

To reduce the risk of injury to persons:

- a) Close supervision is necessary when this furnishing is used by, or near children, or disabled persons.
- b) Use this furnishing only for its intended use as described in these instructions. Do not use attachments not recommended by the manufacturer.

This table was made for the explicit purpose of providing outdoor functions and is not to be used as a toy. This product is not intended for inclement / severe weather in any form including, but not limited to: rain, hail, sleet, snow and / or wind. The manufacturer recommends storing and / or covering this product when formidable weather is approaching. Do not locate the product near open flames. Children under the age of 10, near the product, should be supervised by a competent adult at all times. This product is NOT intended for commercial use and will void the warranty.



**CAUTION:** Do not locate the product near any heat source.



**CAUTION:** When not in use, secure the product in a cool and covered location.

# Warranty

## 1 YEAR LIMITED WARRANTY

### WHAT IS COVERED

We warrant the table to be free of manufacturing defects to the original purchaser for one year.

### WHAT IS NOT COVERED

It remains the customer's responsibility for freight and packaging charges to and from our service center. This warranty does not cover commercial use, hardware, acts of nature, fire, freezing and abusive use. In addition, purchased parts are not covered under this warranty. We reserve the right to make substitutions with similar merchandise, if the model in question is no longer in production.

Contact the Customer Service Team at 1-877-527-0313 or visit [www.HomeDepot.com](http://www.HomeDepot.com).



# Pre-Assembly - Coffee Table

## PLANNING ASSEMBLY

Read all instructions before assembly.

To avoid damaging this product, assemble it on a soft, non-abrasive surface such as carpet or cardboard.

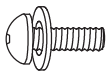


**NOTE:** More than one person may be required to assemble this product.

## HARDWARE INCLUDED - COFFEE TABLE



**NOTE:** Hardware not shown to actual size.

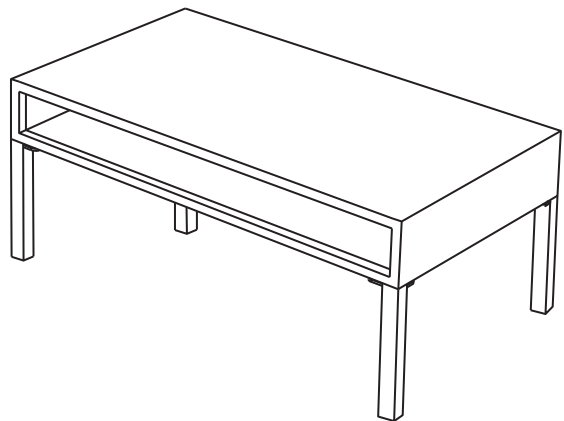


AA



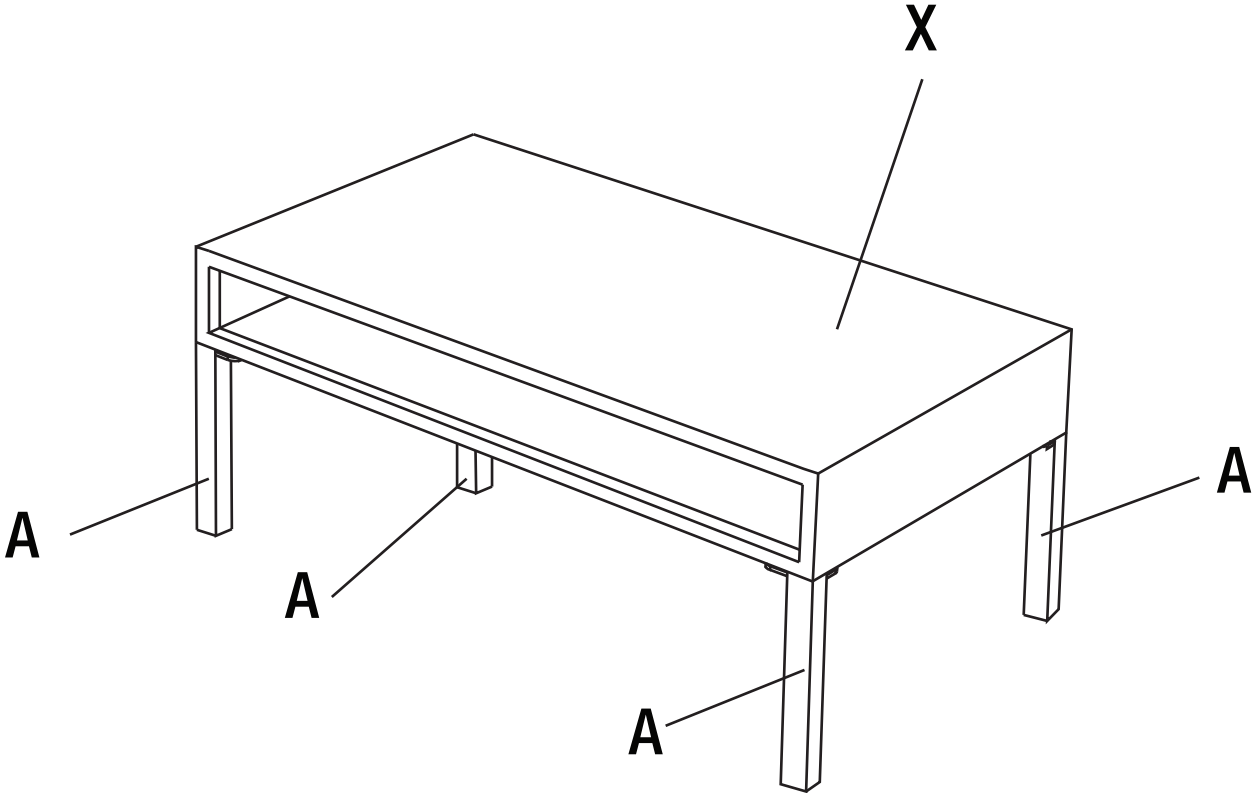
BB

Part	Description	Quantity
AA	Bolt M6x15	12
BB	Hex Wrench	1



# Pre-Assembly (continued)

## PACKAGE CONTENTS

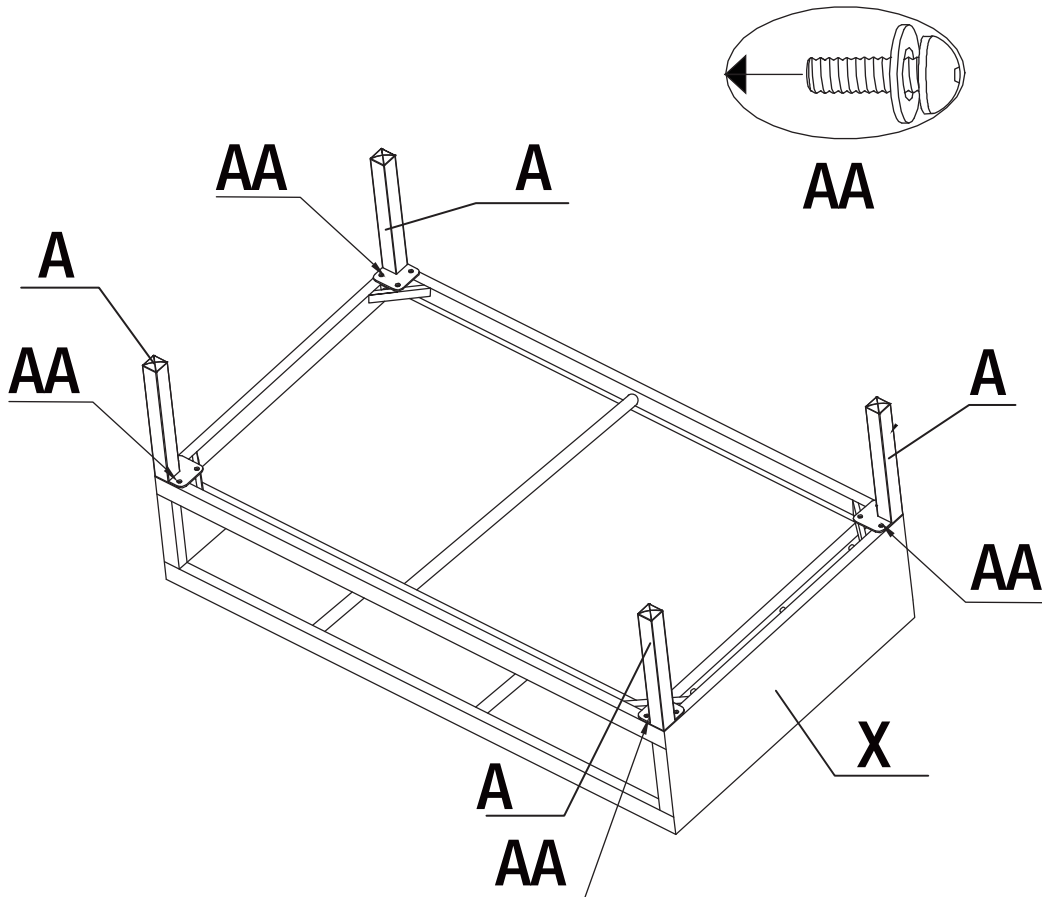


Part	Description	Quantity
X	Table Top	1
A	Legs	4

# Assembly-Coffee Table

## 1 Attaching the legs to the table

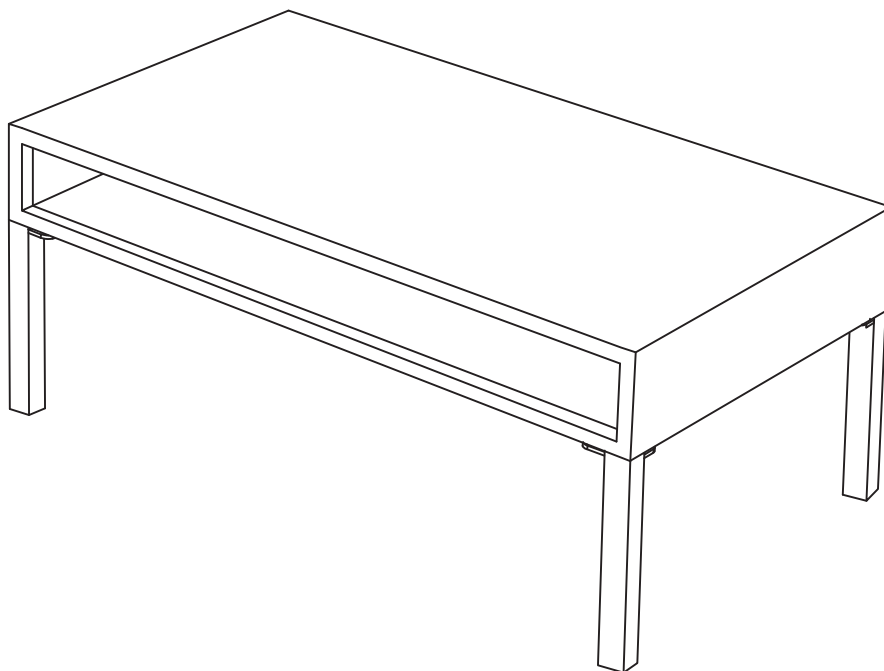
- Attach the legs (A) to the table (X) using bolts (AA). Loosely tighten using the hex wrench (BB).



## Assembly (continued)

### 2 Checking the coffee table

- Fully tighten all bolts.
- Ensure all connections are secure before use.



## Care and Cleaning-Coffee Table

- For best results, clean the table with a damp cloth and dry thoroughly. This will help prevent mildew by removing dirt particles that may accumulate.
- Do not clean with abrasive materials, bleach, or solvents.
- Store the table in a dry, sheltered place when not in use.
- Keep the table away from fire, extreme heat, freezing conditions, and inclement weather such as rain, hail, sleet, snow, or wind.

# StyleWell.™

Questions, problems, missing parts? Before returning to the store,  
call StyleWell Customer Service  
8 a.m. - 7 p.m., EST, Monday - Friday, 9 a.m. - 6 p.m., EST, Saturday

**1-877-527-0313**

**HOMEDEPOT.COM**

Retain this manual for future use.