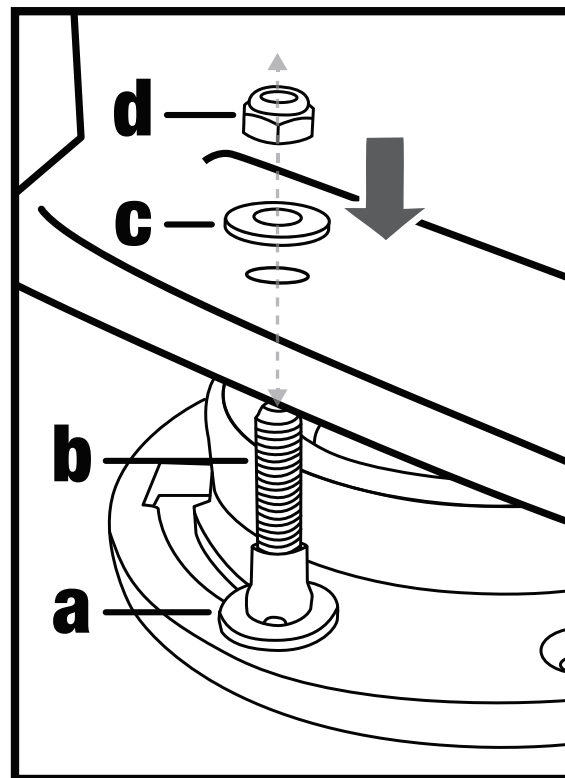
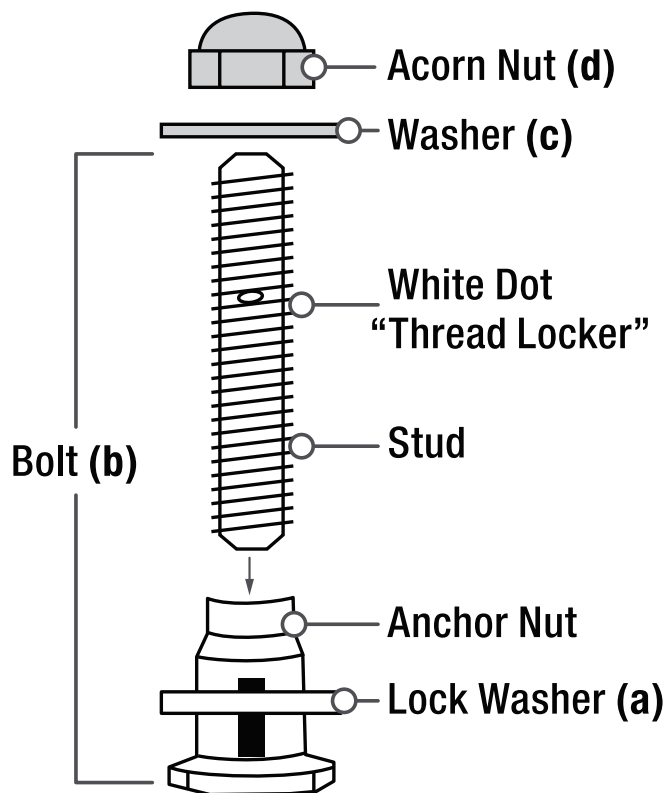


INSTALL WITH CONFIDENCE



Read directions before use. May not be suitable for flanges that have been modified.

Pre-assembly (if needed): Thread stud into anchor nut, 2 or 3 turns only.

White dot, "thread locker", must be closest to top.

- 1. Install:** Slide yellow lock washer (a) up. Install bolt (b) into flange slot. When positioned, pull bolt up and press down on yellow lock washer (a) to secure.
- 2. Set Bowl*:** Install washer (c) onto bolt (b). Thread acorn nut (d) onto bolt. Tighten until nut engages "thread locker" dot.

***NOTE:** Toilet needs new wax ring or wax free toilet seal installed (sold separately).

- 3. Adjust:** Tighten until snug (bolt will self-adjust height). Use wrench to tighten $\frac{1}{4}$ turn. **Do Not Over Tighten.**