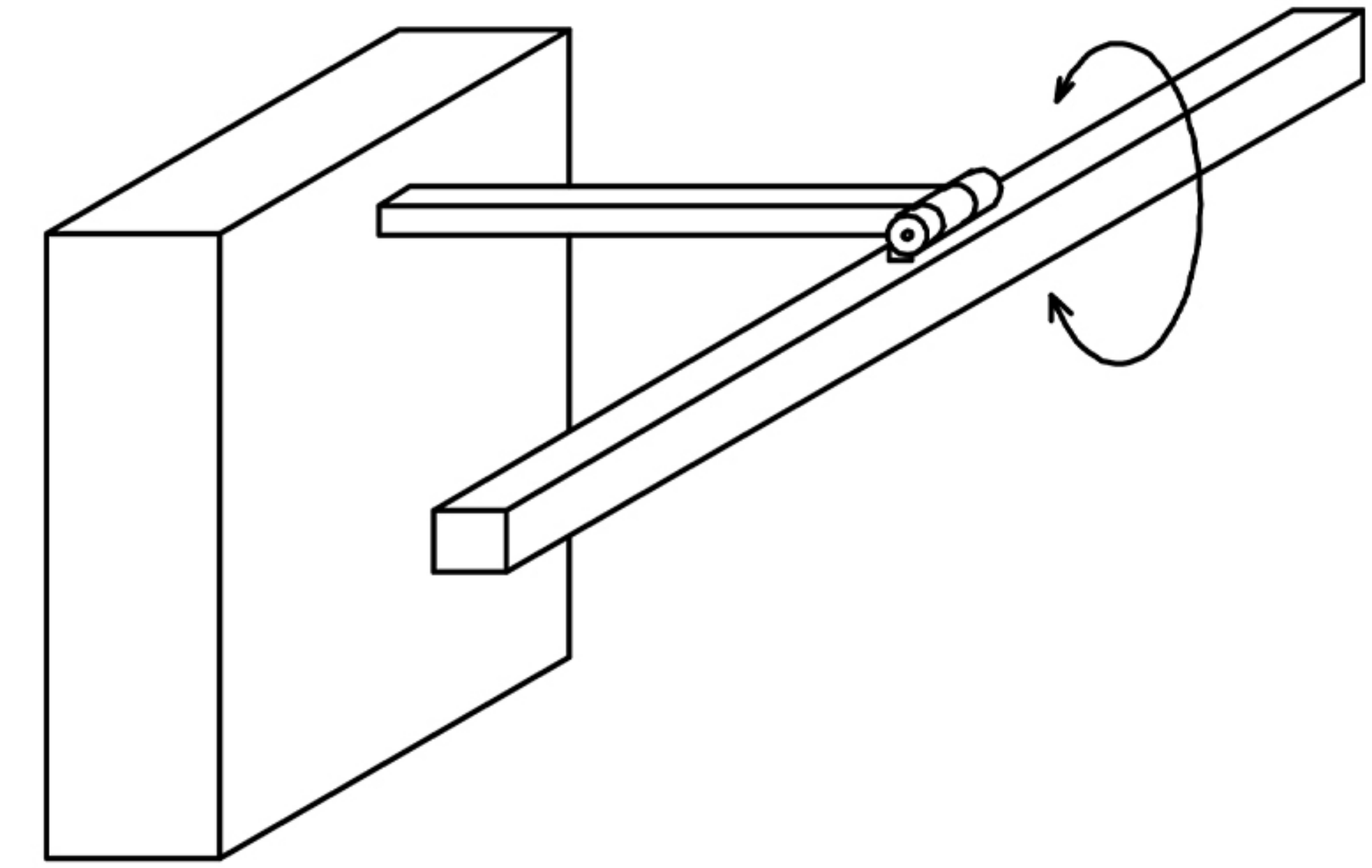
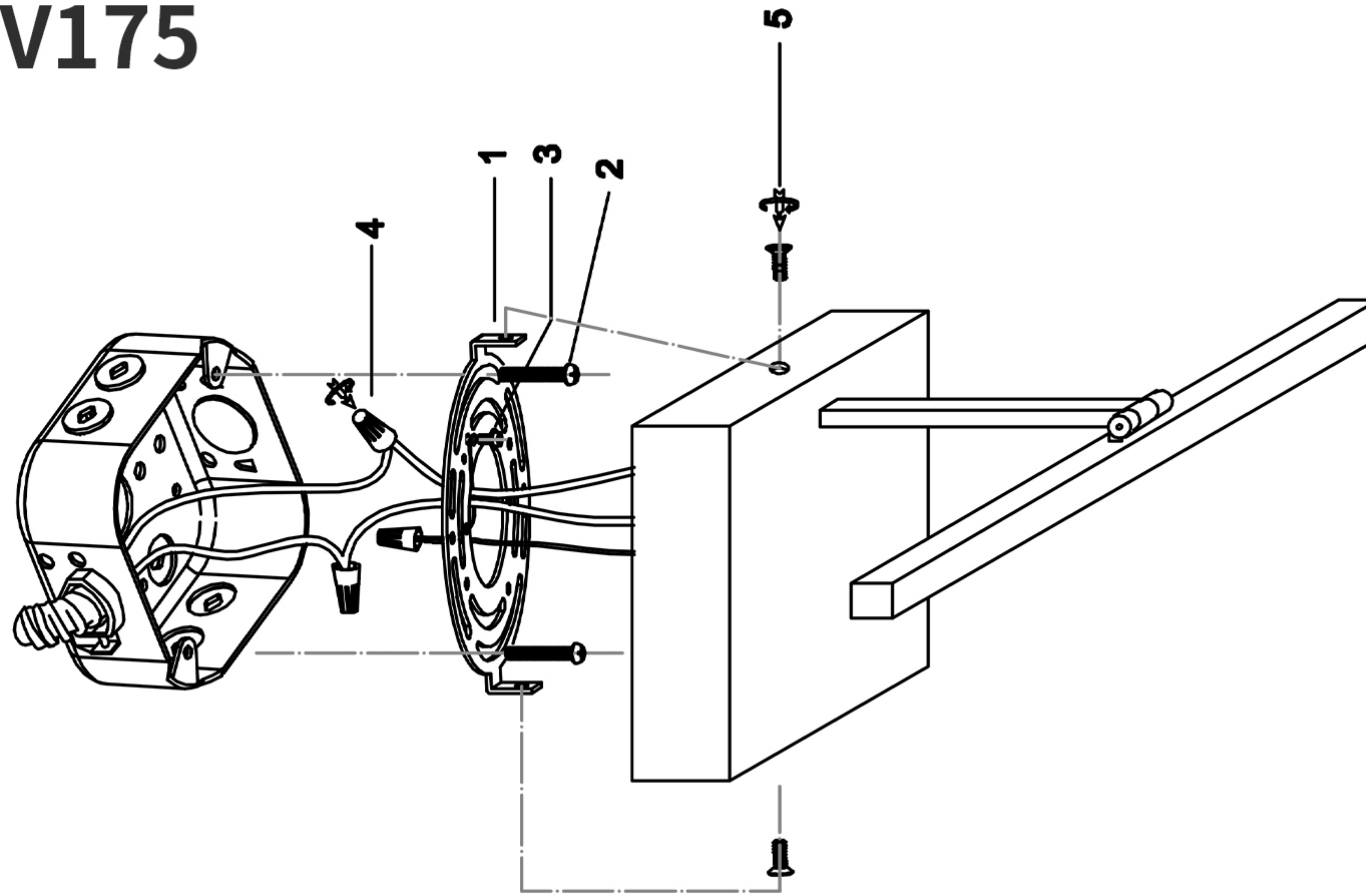


# AD-V175



## Installation Steps:

**Step 1:** Use (2) screws to fix (1) mounting plate on the junction box.

**Step 2:** With (4) wiring cap will be the lamps and lanterns power cord connected to the main wire and with (3) screws will be the lamps and lanterns ground line and the house ground line fixed in (1) mounting plate.

**Step 3:** With (5) screws to the light frame (6) fixed to (1) mounting plate, complete the installation.

**Notice:** This light fixture should be installed in accordance with all applicable, local installation codes, and by a person familiar with the construction and operation of it, as well as the hazards involved. Inspect items and contents carefully. If any damage or defect is found, do not install it.

## Accessories:

1: Mounting Plate\*1



2: Screws\*2



3: Screws\*1



4: Wiring Cap\*3



5: Screws\*2



6: Light Frame\*1

