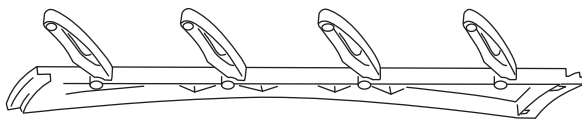


6486-1746 36 Pair Over the Door Shoe Rack ©2010 Whitmor



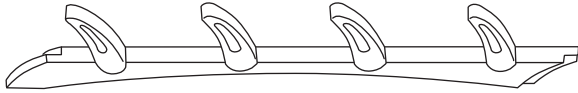
A 3 ea
Right side frame



C 2 ea
Over the door bracket



E 4 ea
Male & female
velcro dots



B 3 ea
Left side frame



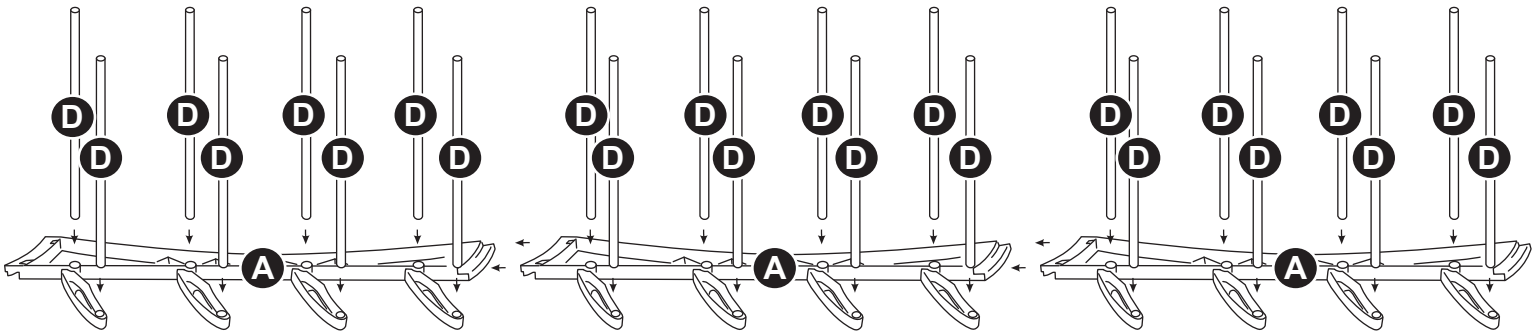
D 24 ea
Horizontal pole

Assembly Time:
Less than 15 minutes.

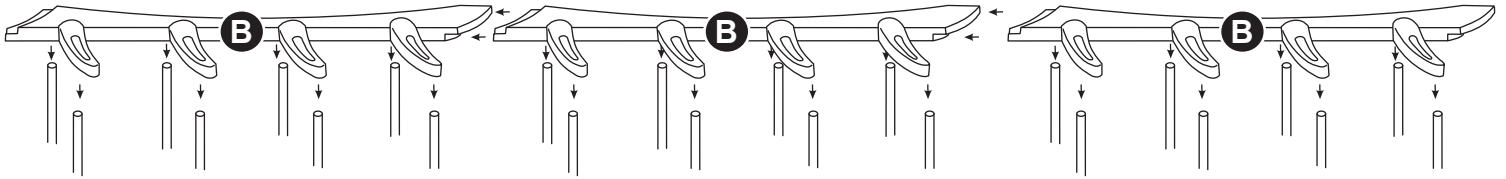
This product's intended use
is for storing shoes.

Tools Needed: No tools required.

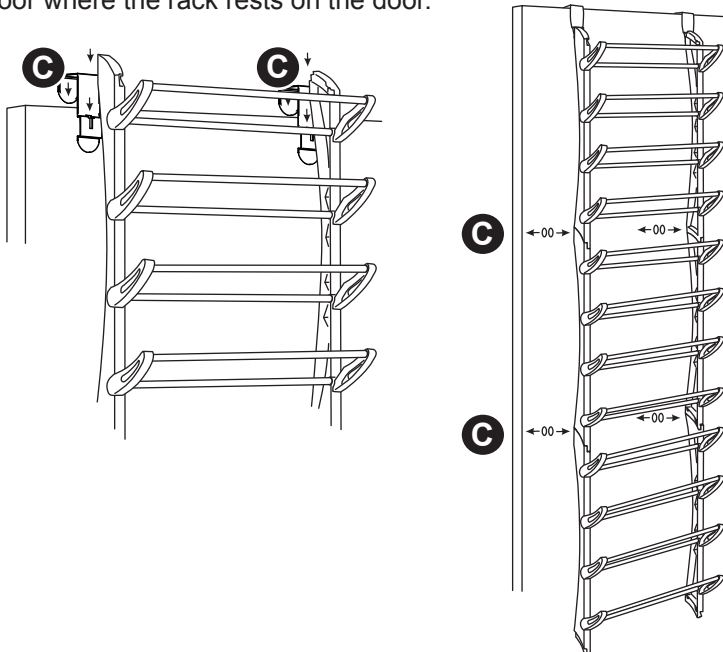
STEP 1. Place three right side frames (A) on a flat hard surface. Snap each side frame together. Insert 24 horizontal poles (D) into holes in each side frame.



STEP 2. Place three left side frames (B) on a flat hard surface. Snap each side frame together. Place assembled left side frames onto top of poles aligning poles with the holes in side frame. Tap firmly until poles are seated into holes.



STEP 3. Place the two over the door brackets (C) on the top of the door. Snap assembled shoe rack onto door brackets as shown below. Peel off backing and place male & female velcro dots (E) on bottom of rack and door where the rack rests on the door.



NOTE: Bars
can be folded up
for optional
hightop shoe or
boot storage.

Part	Reference
A	F6666
B	F6667
C	F6668
D	F6669
E	F6670

MADE IN CHINA

U.S. Patent No. D598,218 & U.S. Patent No. 7,762,406



8680 Swinnea Road • Suite 103 • Southaven, MS • 38671

NEED HELP? For help with assembly, or if you are missing a part, please call Whitmor's Customer Service Department, 1-888-944-8667 between 8 a.m. and 4:30 p.m. (Central Standard Time) Monday through Friday. Or email: customer_service@whitmor.com