

Müeller USA

Pro Range Hood HCF-36



USER MANUAL

Dear Customer,

In order to keep appliance in best performance and extend the life to your appliance, we suggest you to read the user manual carefully before using. This manual provides all instructions you may require which ensure safe installation, using and maintenance. Please keep this manual close to your hand and you may need it as reference in future. Thanks!

Contents

Contents..... 1
Attentions.....2
Know Your Hood.....3
Installation.....4
Use of the Hood.....6
Cleaning and Maintenance..... 8
Something wrong? 9

Attentions

1. The Package of a new Müller Range Hood

The package of a new Müller Range Hood should be dealt with caution in an environmentally way. Please keep the children away from the package because it might lead the children suffocated.

2. Disposal of an old cooker hood

It is suggested that the cooker hood should be replaced when it is beyond repair. And please deal properly with some recyclable parts of the hood, which will contribute to our environment.

3. Before using a new Müller Range Hood

Please don't install the hood and contact the local service centre when you find the Müller Range Hood is out of shape severely.

Children not in the company of guardian should not operate the appliance.

Please disconnect the plug if the appliance won't be used for a long time.

4. Additional statement

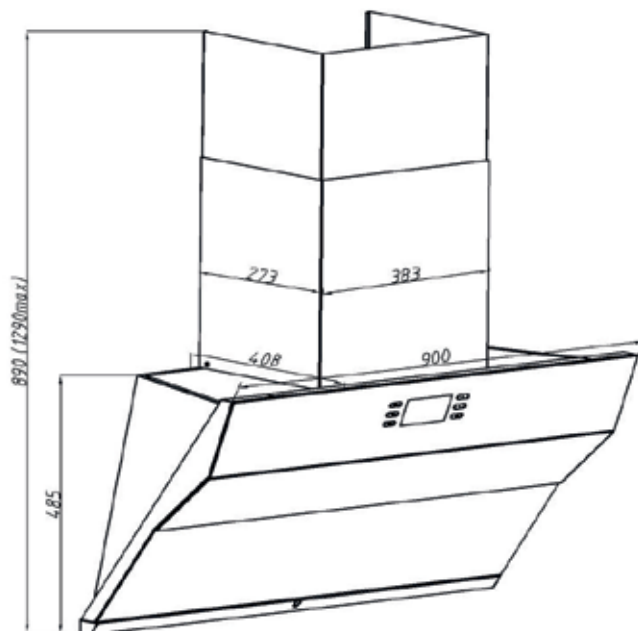
Installation of the appliance, including the exhausting pipe and other spare parts, must be taken by special technicians appointed by our company to make sure the safe and correct used of it. Any breakdown caused by wrongly installation and repair by people who are not appointed by our company is not in guarantee, even if the appliance is within warranty period.

Know Your Müller Range Hood

1. Suitable models

The User Manual is suitable for those models below. And please check the model of your hood.

(The size annotated in the following picture is only for your reference. And the MAX is the maximum height of your hood which can be selected.)

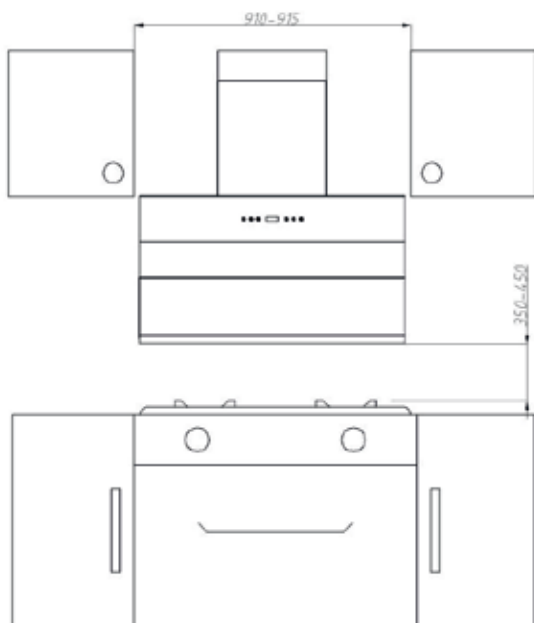


2. Technical parameters

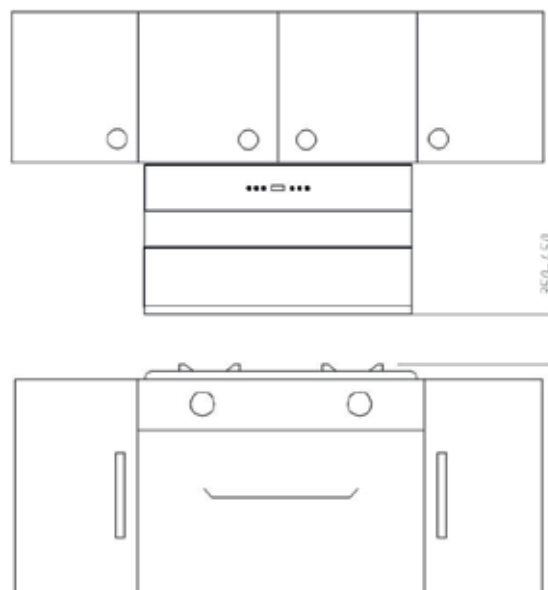
Model	HCF-36 Pro Series	Power Rating of the Hood	253W	Power Rating of the Main Motor	250W
Current Source	AC 120V/60Hz	Standard Wind Pressure	230Pa	Maxim Wind Pressure	330Pa
Power of Lamp	2*1.5W	Oil Resolution	90%	Temporary Smell Decrease	80%
Air Quantity	17m ³ /min	Noise	70dB (A)	Outline Dimension	As the above picture

Installation

1. Before installation



(Pic. 1-A Installation Type- Stand alone



Pic. 1-B Installation Type- Embedded)

- 1) When the Range Hood is installed as pic. 1-A, it is above and to the side of the hob with a distance of 35cm to 45cm between the pan support and the bottom of the hood. The most pleasant installation height is when the control panel of the hood is parallel to your eyes. It can be adjusted according to the height of people who cook to meet with the need of sucking in smoke and cooking pleasure.
- 2) The flue gas should not be exhausted into hot flue which is used for combustion gas or other smoke fuel.
- 3) If the exhaust pipe is too long or there are too many bends, Please select suitable position to install the Range Hood to make the appliance reach its perfect sucking-in smoke mode

2. Installation

- 1) These tools are needed to install the Range Hood: 1. an impact electric drill, a Φ 8 boring crown; 2. a cross head screw-driver; 3. a pencil; 4. a straightedge
- 2) Place an electric outlet with liable ground connection aside of the installation place of the Range Hood. And don't broke the electric wires embedded in the wall when drilling holes in the wall. Please make sure the power line is off when install the appliance.
- 3) Please ensure the wall where the appliance is going to be installed could bear the Range Hood.

4) Packing list

NO.	Part name	Qty	NO.	Part Name	Qty
1	Range Hood	1PC	8	Wooden Screw ST4.2*38	5 PCS
2	Exhaust Pipe	1 PC	9	Pad Φ (5-16) *1mm	5PCS
3	Exhaust Cover	1 PC	10	Grease Cup	1 PC
4	Decorative Cover- Inner and Outer	1 SET	11	Aluminium Foil Adhesive Tape 600*50mm	2 PCS
5	Fixed Mount	1 PC	12	Cross Large Panhead Screw M4*8	6 PCS
6	Mounting Rack for the Hood	1 PC	13	User Manual	1 PC
7	Plastic Expand Tube Φ 8*35	5 PCS			

3. Fixing the Range Hood

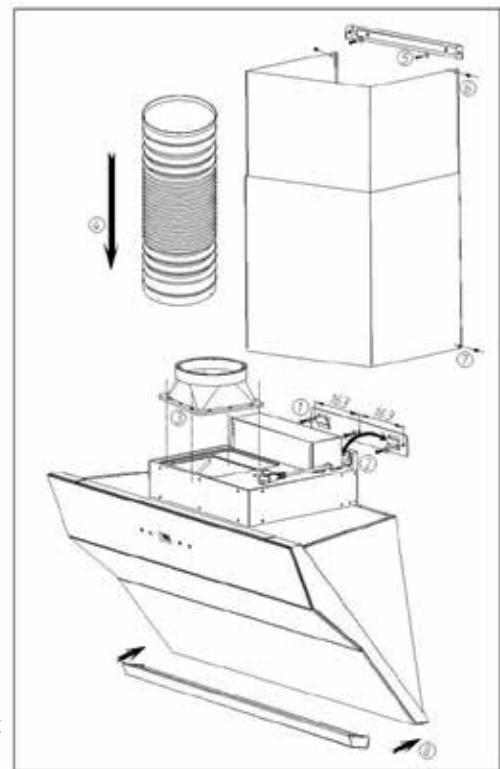
When the Range Hood is set to be installed at certain height, please drill three holes with a depth of 40mm on the wall, parallel to the ground and with a distance of 163mm between each other of the three. Then, use the Φ 8 drill to drill two holes with a depth of 40mm, with a distance of 160mm between each other. (Please ensure the five perpendicular bisector of the line of every two holes are crossed in one point.) And insert the plastic expand tube into hole as shown in Pic. 2.

Step 1 : Use the wooden screw ST4.2*38 to fix the fixed mount on the wall and make the mount parallel to the ground.

Step 2 : The hood should be taken out by two people and please Always Keep it parallel to the ground until it was hanging on the fixed mount.

Step 3 : Take out the cover for exhausting pipe, rubber pad and Four screws from the packaging box and use the screws to make the former two fixed on the opening of the exhausting pipe.

Step 4 : Take out the exhausting pipe and insert one side of it into the slot of the cover. Then, use aluminium foil adhesive tape to cement together. At last, fix the other side of the exhausting pipe to the common flue or outside of your house.



Pic. 2

4. Fixing the decorative cover

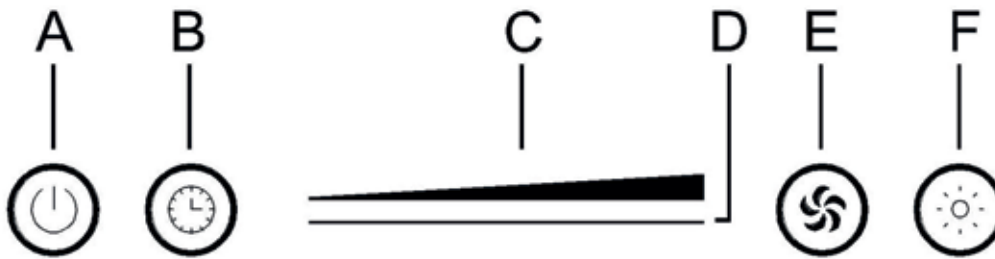
Step 5 : When the Range Hood is fixed, insert the plastic expand pipe into the No.7 hole first. And make the fixed mount fixed on the wall by screws.

Step 6 : Put the inner and outer decorative cover onto the Range Hood. Then pull the inner decorative cover up to the two holes side of the fixed mount in alignment.

Step 7 : Use the screws to fix the outer decorative cover with the main body of the Range Hood.
(If you are planned to insert the hood, please ignore step 7 .)

Use Of The Range Hood

If the model of your Range Hood is belong to HCF-36 Pro Series, please refer to the following instructions:



1. Operational Key Instruction

A ---- On/Off and controlling the opening and close of front cover

B ---- Stop the timer automatically

C ---- Display of gear of air flow and counting time

D ---- Touch control sensor slider

E ---- Motor start-up key (automatically)

F ---- Light On/Off

When provided with electricity, key A will be lighted on when touched, and at the same time, the front cover will open and all the keys will be effective.

1) Key B will be lighted on when touched and the motor will work at lowest watt for 5 minutes if there are no other instructions. During this period, the screen blinks, and the 5 minutes working time can be changed by sliding slider D with change of the length of indicator C (every section of indicator C has a continuous working time- 5min.) After 3 min, , key B blinks with motor working in the mode of stop working when time is counted down to zero. And we can slide D to change the gear of motor with respondent display of Indicator C. The maxim of Indicator C is quick fry gear. When the motor is working at its maxim gear, the last two sections of Indicator C blinks.

2) Sliding D to change the gear of motor with correspondent display of Indicator C when the motor is working at lowest gear as a result of touching key E. The maxim of Indicator C is quick fry gear. When the motor is working at its maxim gear, the last two sections of Indicator C blinks.

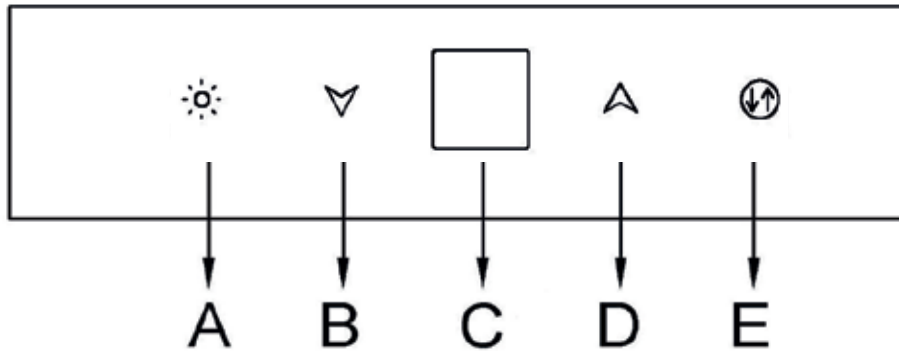
(Note: The maxim gear for quick fry of the hood can only last for 150 seconds and will drop to second maxim gear automatically.)

When the motor is working, key B will be lighted on and indicator C blinks when key B is touched. At this period, sliding slider D to change time counting down and indicator C will display correspondent gear. Then, key B blinks after 3 seconds and the motor will stop working when the time is counted down to zero. And once more touch of key B will cancel the function.

3) The light will be on and off in turn when key F is touched and once again.

*** Touching key A to turn off the hood with all functions and the front down shutting off at any situation.**

If the model of your Range Hood is belong to HCF-36 Pro Series, please refer to the following instructions:



2. Operational Key Instruction

A ---- Lamp

B ---- Function /gear deducting/off

C ---- Display board

D ---- Function /gear increasing/off

E ---- Auto door opening

- 1- Key E will be lighted on when touched and the auto door will continue to open to the extreme. And at the same time, all the keys is ready to be operated. The light and key indicator will be on if key A is touched and once again touched, the light will be off.
- 2- The display board C will display "01" as key B is touched. And the hood will run at the 1st gear. If you want the hood stop running, just touch key B and then the board C will display "00".
- 3- The display board C will display "01" as key D is touched. And the hood will run at the 1st gear. It will run at 1st, 2nd, 3rd, 4th, 5th gear in turn if you touch key D again and again. When it is at 5th gear, the appliance will continue running for 150 seconds with the display board C blinks and it will automatically drop to 4th gear after 150 seconds.

Note 1: The 1st gear on the board C displays "01", and 2nd gear "02", 3rd gear "03", 4th gear "04". 5th gear "05" You can choose the gear by touch key B and key D.)

Note 2: Only when the indicator of Key E is on and the auto door is open, the hood can be on and all other functions, for example, function, time delay, lamp, are effective.

*** Touching key E for 3 seconds under any other situations, all the functions will be ineffective with indicators off. And when the front door is completed closed automatically, the appliance is off.**

3. Warnings:

In some cases, electric appliances can be very dangerous.

- A) Please do not remove the filter while the Range Hood is running.
- B) Please do not touch the bulb and adjacent area when using for a long time.
- C) No flame on directly under the Range Hood.
- D) No access of movable flame to avoid damage to the filter and avoid fire.
- E) Remember to check the temperature of the frying pan in order to avoid the fire caused by oil overheating.
- F) Please unplug the power socket before repair.
- G) Children and the weak are prohibited from using this appliance.
- H) Children should be supervised not to play around.
- I) Please keep the room ventilated when using the Range Hood and hob.
- J) Please wear protective gloves when cleaning the appliance for some sharp edges.
- K) Allow to use 6 furnaces at most under the Range Hood.
- L) No stove fire on directly under the Range Hood.
- M) If damaged, only our company's special power lines can be used for exchange.
- N) Only professionals can disassembly or assembly the appliance.
- O) Clean according to the instruction, or the Range Hood is a fire risk.

We, manufacturer, disclaim refusing to take responsibility for any consequences caused by violating the above operation instructions.

Cleaning and Maintenance

It is suggested that tuning up the hood for 15min before cooking meals to evaporate all the steam and unfavorable smells.

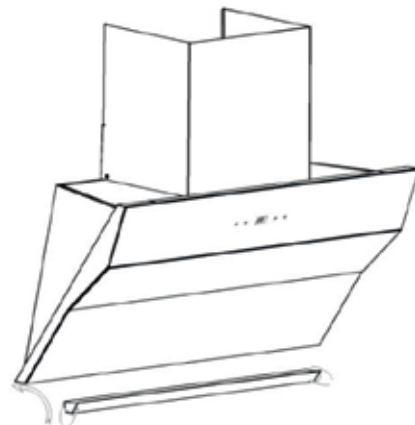
Regular cleaning of filters and the surface of hood by moisture cloth with industrial alcohol or clean is recommended.

Tips: Cleaning the surface of the hood every time when the Range Hood is used.

Filter positioned at the air inlet flue is recommended to clean for every three days.

The fan blade needs to be clean annually and needs to be clean by qualified people.

Clean up the grease collector according to the status of the grease collecting.



It is forbid to take off the grease collector when the hood is running. And please use your hands pulling out the collector slowly and parallel to the ground to avoid the grease spilling over the top of hob or some accidents.

The light on hood is designed to use when cooking, not for lighting. Long time use of the light will deduct its life

Something wrong?

Something Wrong	Possible Reasons	Solutions
The hood doesn't work	Without power supply	Check whether the plug is well inserted or not.
		Check whether the power base is effective or not
The hood doesn't suck in smoke while the motor is working	The air outlet pipe or cover is blocked up	Contact technicians
The motor stop running after several minutes	Thermostat is on	The kitchen is not well ventilated
	The hood is too close from the hob	A minimum distance of 35cm is needed between the hob and hood
The sucking-in power is not enough	The hood is too far from the hob or the exhausting pipe is too long	Contact technicians to re-install the hood
The grease dropped onto the top of hob	The hood is biased	Contact technicians to re-install the hood
Any unexpected sound	Something influenced the fan blade.	Contact technicians

If you want to desert the appliance, please send it to qualified people to deal with it. Please do not desert it at random considering the damage of environment or other risks of danger.



Innovation is part of ARDA's DNA and the constant pursuit of innovation extends across product design and technologies, production processes, marketing efforts and after-sales service. This user manual is suitable for specified products and models before it is printed and you can ask the sales for confirmation.

Müller USA

30 Gould, Suite C, Sheridan, WY 82801 | 888 632-9981 x203 | www.muellerdirect.com

Our products are patent registered. We will and have taken legal action against any infringement or unauthorized reproduction, or any portion of it. Copyright Müller USA. All rights reserved.