

# 24" Bar Handle Dishwasher

100 Series – Stainless Steel SHX3AR75UC



**BOSCH**  
Invented for life



**SHX3AR75UC**  
Stainless Steel

Also available in:

White SHX3AR72UC  
Black SHX3AR76UC

**Bosch dishwashers incorporate 18 unique sound-reducing technologies, to make Bosch the quietest dishwasher brand in North America.<sup>1</sup>**

## Features & Benefits

50 dBA: Quietest dishwasher brand in North America.<sup>1</sup>

Height adjustment upper rack.

Stainless steel tall tub with polypropylene bottom delivers durability.

Sanitize option eliminates bacteria and enhances drying results.

24/7 Overflow Protection System<sup>®</sup> helps prevent water leaks.

## General Properties

Number of wash cycles	6
Number of options	2
dBA	50
Drying system	PureDry <sup>®</sup>
Third rack	No
Rack adjustability	Manual
Tub material	Stainless steel/ polypropylene
Control type	Buttons
Concealed water heating element	Yes
Leak protection system	24/7 Overflow Protection
NSF <sup>®</sup> -certified <sup>2</sup> sanitize option	Yes
Water softener	No
Five-level wash	Yes
ChildLock	No
Special features	50 dBA, 24/7 Overflow Protection, Anti-fingerprint, Detergent Tray

## Efficiency

Water usage per cycle	3.2
Energy efficiency class	Tier 1
ENERGY STAR <sup>®</sup> qualified	Yes
Total annual energy consumption (kWh)	269
Total annual water consumption (g)	688



## Capacity

Number of place settings 14

## Technical Details

Watts (W)	1400 W
Current (A)	12 Amps
Volts (V)	120 V
Frequency (Hz)	60 Hz
Power cord full length	67"
Power cord install length from edge of unit when facing the door (in) <sup>3</sup>	Left – 45" Right – 50"
Minimum water pressure (lb/sin)	15
Length outlet hose (in)	90 1/2"

## Dimensions & Weight

Overall appliance dimensions (HxWxD) (in)	33 7/8" x 23 9/16" x 22 9/16"
Required cutout size (HxWxD) (in)	33 7/8" x 24" x 24"
Adjustable feet	Yes
Net weight (lbs)	71 lbs

## Accessories—Optional

Junction Box	SMZPCJB1UC
Dishwasher Drain Hose Extension 76 3/4"	SGZ1010UC
Dishwasher Accessory Kit	SMZ5000
DoubleFlex Silverware Basket	SMZ4000UC
Edge Protector + Power Cord Clip Install Kit	SMZEPCC1UC



<sup>1</sup>Based on an average of sound ratings of 24" Full Size Stainless Steel Tub dishwashers contained in major brands US & Canadian websites. Major brands defined as TraQline Top 5 Market Share (US & Canada) December 2017.

<sup>2</sup>Certification to NSF/ANSI Standard 184 for residential dishwashers.

<sup>3</sup>September 2020 running production change to remove adhesive routing clips for power cord. These clips and the edge protector are now included in the dishwasher accessory kit # SMZEPCC1UC.

**Accessories:** To purchase Bosch accessories, cleaners & parts please visit [www.bosch-home.com/us/store](http://www.bosch-home.com/us/store) or call 1-800-944-2904 (Mon to Fri 5 am to 6 pm PST, Sat 6 am to 3 pm PST).

**Notes:** All height, width and depth dimensions are shown in inches. BSH reserves the absolute and unrestricted right to change product materials and specifications, at any time, without notice. Consult the product's installation instructions for final dimensional data and other details prior to making cutout.

**Warranties:** Please see Use & Care manual or Bosch website for statement of limited warranty.

**For more information on our entire line of products, go to [www.bosch-home.com/us](http://www.bosch-home.com/us) or call 1-800-944-2904**

© BSH Home Appliances Corporation. All rights reserved. Bosch is a registered trademark of Robert Bosch GmbH.

# 24" Bar Handle Dishwasher

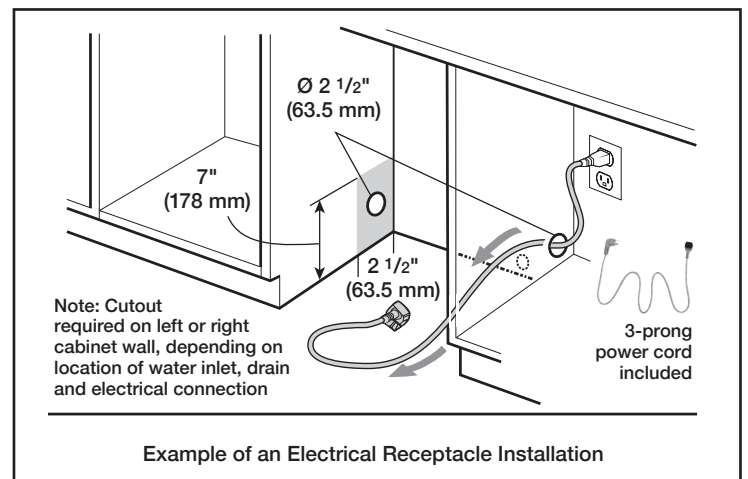
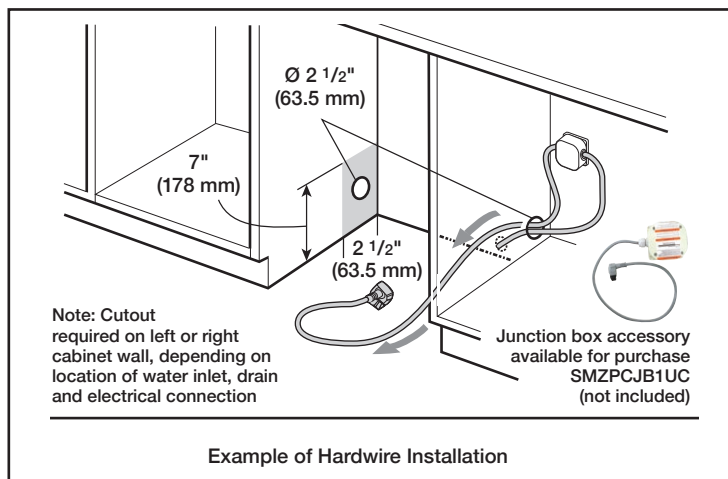
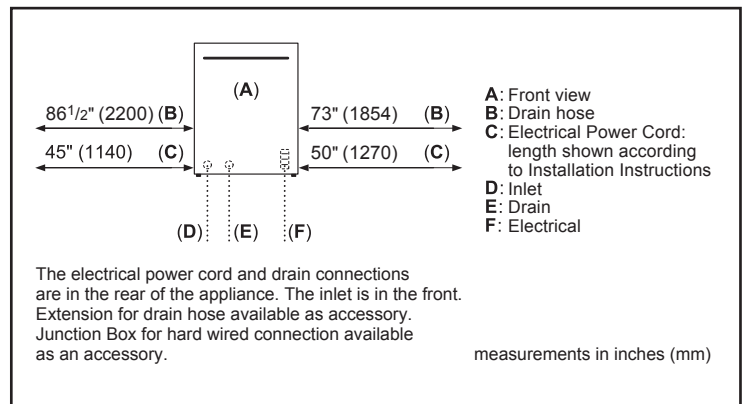
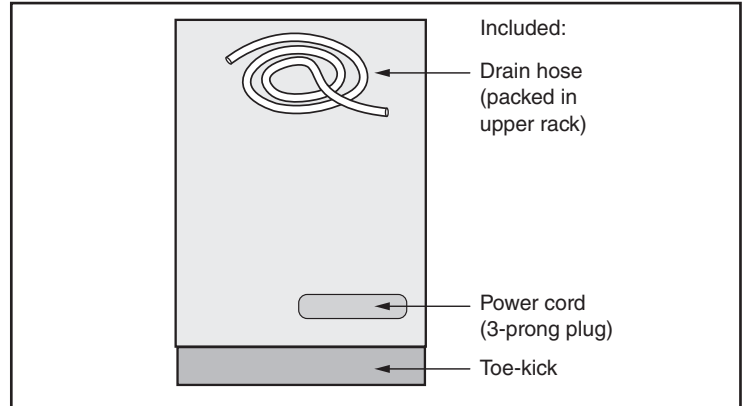
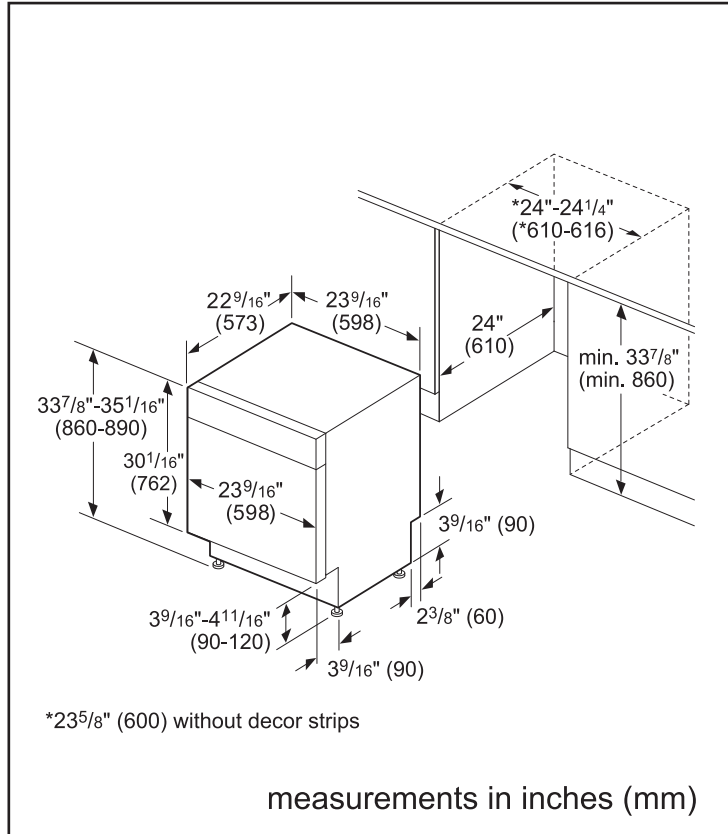
100 Series – Stainless Steel SHX3AR75UC



**BOSCH**

Invented for life

## Installation Details



**Accessories:** To purchase Bosch accessories, cleaners & parts please visit [www.bosch-home.com/us/store](http://www.bosch-home.com/us/store) or call 1-800-944-2904 (Mon to Fri 5 am to 6 pm PST, Sat 6 am to 3 pm PST).

**Notes:** All height, width and depth dimensions are shown in inches. BSH reserves the absolute and unrestricted right to change product materials and specifications, at any time, without notice. Consult the product's installation instructions for final dimensional data and other details prior to making cutout.

**Warranties:** Please see Use & Care manual or Bosch website for statement of limited warranty.

**For more information on our entire line of products, go to [www.bosch-home.com/us](http://www.bosch-home.com/us) or call 1-800-944-2904**

© BSH Home Appliances Corporation. All rights reserved. Bosch is a registered trademark of Robert Bosch GmbH.

# 24" Bar Handle Dishwasher

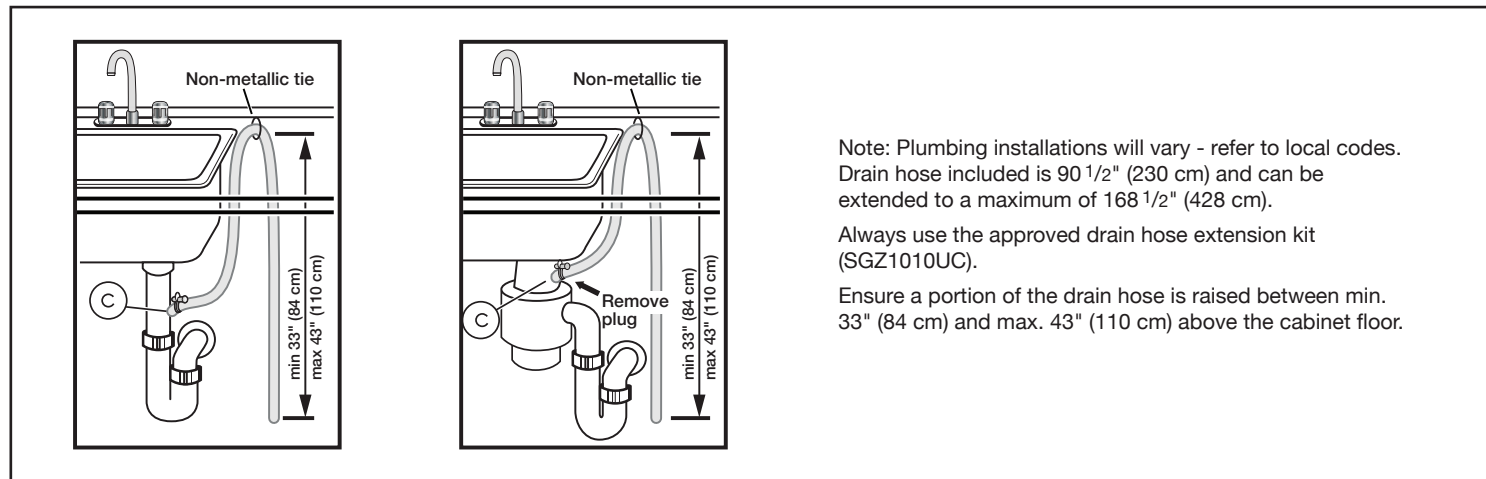
100 Series – Stainless Steel SHX3AR75UC



**BOSCH**

Invented for life

## Installation Details



**Accessories:** To purchase Bosch accessories, cleaners & parts please visit [www.bosch-home.com/us/store](http://www.bosch-home.com/us/store) or call 1-800-944-2904 (Mon to Fri 5 am to 6 pm PST, Sat 6 am to 3 pm PST).

**Notes:** All height, width and depth dimensions are shown in inches. BSH reserves the absolute and unrestricted right to change product materials and specifications, at any time, without notice. Consult the product's installation instructions for final dimensional data and other details prior to making cutout.

**Warranties:** Please see Use & Care manual or Bosch website for statement of limited warranty.

**For more information on our entire line of products, go to [www.bosch-home.com/us](http://www.bosch-home.com/us) or call 1-800-944-2904**

© BSH Home Appliances Corporation. All rights reserved. Bosch is a registered trademark of Robert Bosch GmbH.