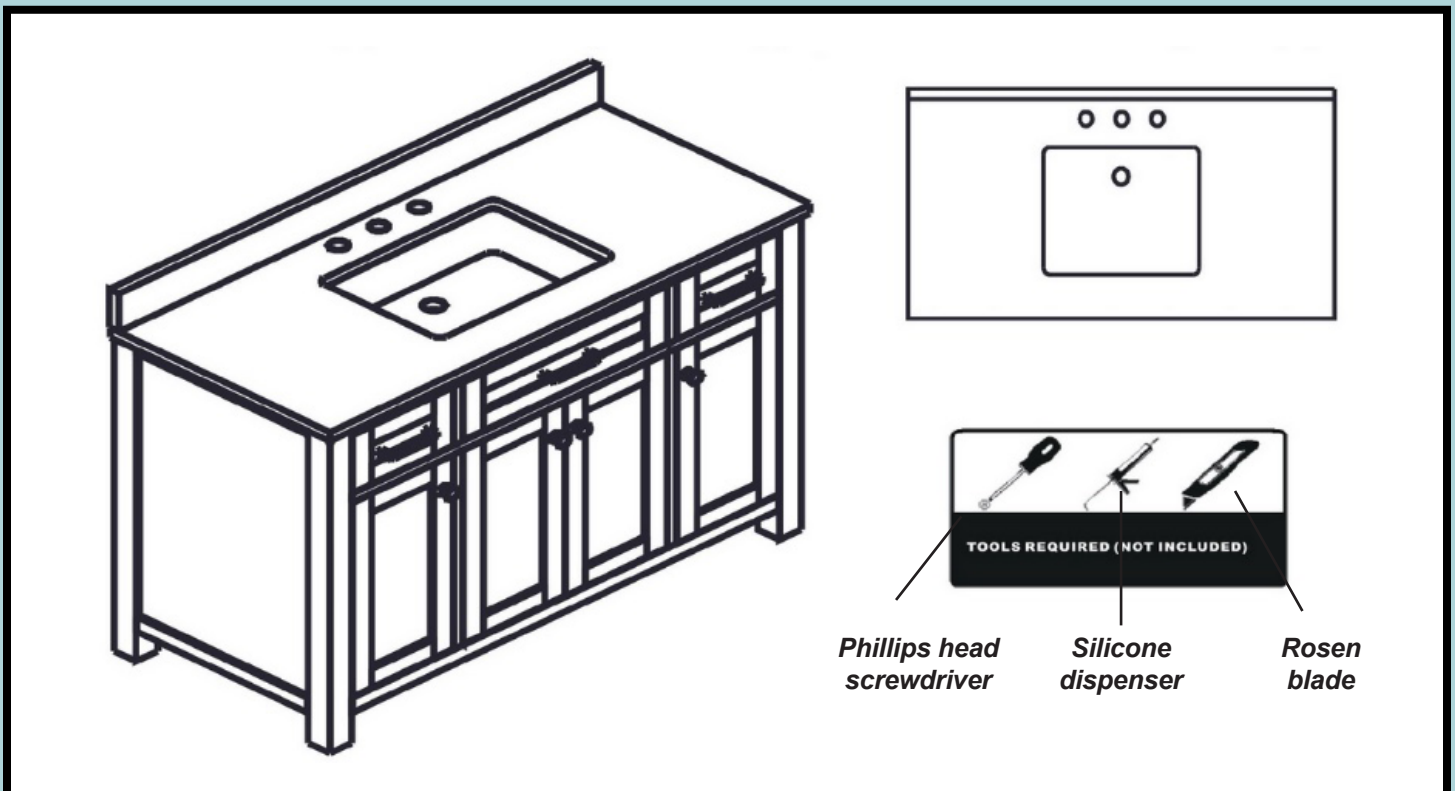


Belvedere Bath[®]

Installation Manual

- Vanity in illustrations may not match directly with the vanity you have purchased. Installation guide is still applicable.
- Countertops are pre-drilled for either a single hole or a three-hole eight" spread faucet (faucet not included).
- Carefully read the instructions before starting installation.
- We recommend consulting a professional if you are unfamiliar with installing bathroom fixtures and plumbing. Belvedere Bath accepts no liability for any damage to the floor, walls, plumbing, vanity cabinet, sink, countertop, or personal injury during installation.
- Drainpipe and drain trap are not supplied. Connect to an existing drainpipe.



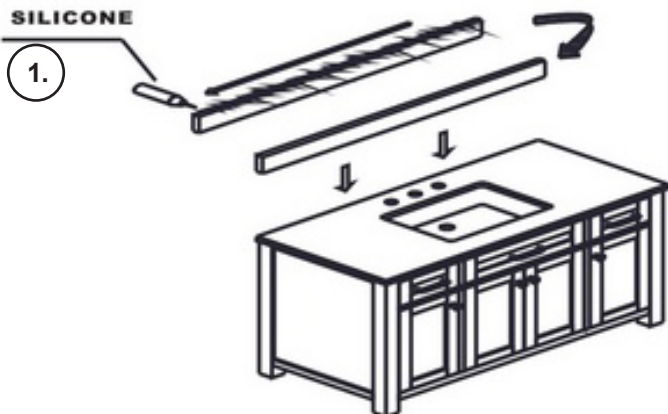
**This sketch is for reference only. Vanity in illustrations may not match directly with the vanity you have purchased.*

Countertop Care

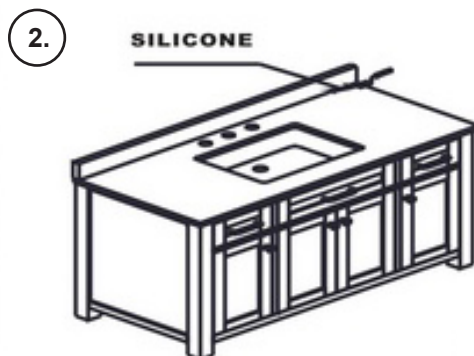
- Cutting directly on the solid surface may cause scratches. Use caution.
- Avoid direct heat contact with the countertop.
- Do not let the countertop encounter strong chemicals such as acetone-based cleaners and solutions. If this happens, clean the countertop surface immediately with water.
 - *Do not use sandpaper, abrasive or harsh scrub pads, or any cleaning materials containing particles.
 - * To clean, add a few drops of mild cleanser, rinse with water and wipe dry.
- The countertop is a natural stone and will feature natural variations.

- Installation should be completed by a licensed professional to ensure proper completion.

Back Splash Installation

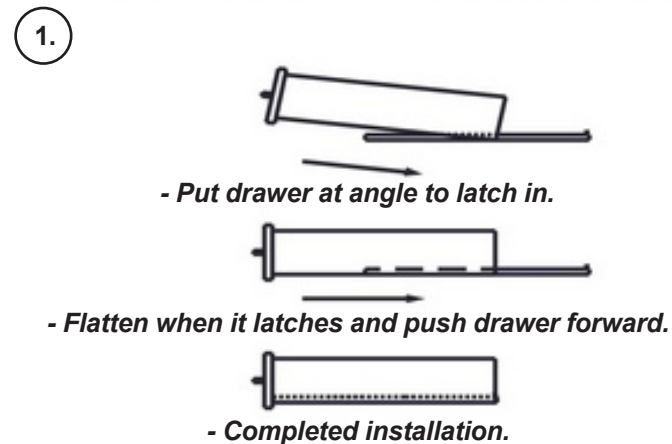
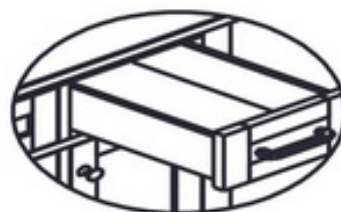
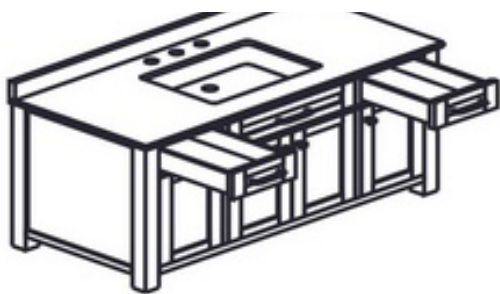


- Apply silicone to unfinished base of backsplash.
- Place on back.



- Apply silicone to creased connection area between backsplash and vanity countertop.

Drawer Installation

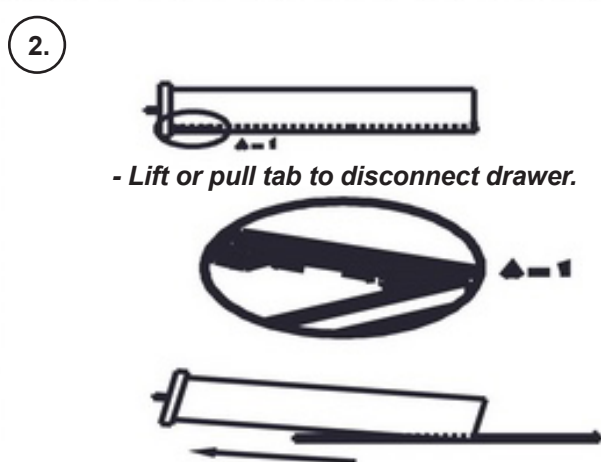


- Put drawer at angle to latch in.

- Flatten when it latches and push drawer forward.

- Completed installation.

Assemble



- Lift or pull tab to disconnect drawer.

Disassemble

*This sketch is for reference only. Vanity in illustrations may not match directly with the vanity you have purchased.

Door/Drawer Front Care

Only use lint-free cotton cloth. To clean, add a few drops of mild cleanser, rinse with water and wipe dry. Wipe the fronts with warm water or warm soap solution and subsequently wipe dry. Wood products generally require a mild temperature between 15 and 25 centigrade. A significant dry indoor environment may cause wood cracking, whereas a high-humid climate may cause wood swelling.