

USER'S MANUAL
Inflatable Water Park
OP3800

THIS INSTRUCTION BOOKLET CONTAINS **IMPORTANT** SAFETY INFORMATION. PLEASE READ AND KEEP FOR FUTURE REFERENCE.

Please give us a chance to make it right and do better!

Contact our friendly customer service department for help first.

Replacements for missing or damaged parts will be shipped ASAP!

Follow Costway

Visit us: www.costway.com



Contact Us!

Do NOT return this item.

Contact our friendly customer service department for help first.

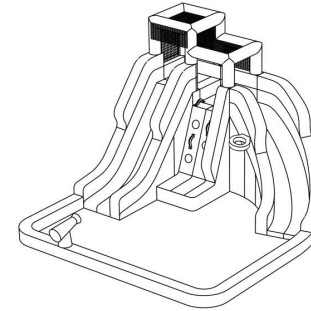


Before You Start

- ⊙ Please read all instructions carefully.
- ⊙ Retain instructions for future reference.
- ⊙ Separate and count all parts and hardware.
- ⊙ Read through each step carefully and follow the proper order.
- ⊙ We recommend that, where possible, all items are assembled near to the area in which they will be placed in use, to avoid moving the product unnecessarily once assembled.
- ⊙ Always place the product on a flat, steady and stable surface.
- ⊙ Caution: Read the warnings carefully. Avoid kids get touch of small parts or plastic bag.

Inflatable Water Park

Owner's manual
Ages: 3-10 years



400*360*255cm
Approximate Size Inflated

⚠ WARNING: FAILURE TO FOLLOW THESE INSTRUCTIONS COULD RESULT IN SERIOUS INJURY OR DEATH.
Do not use extension cords with this product. Outdoor use only.
Read all instructions before assembling this inflatable device. Keep instructions for future use.

⚠ WARNING: USERS MUST BE CAREFEUL ABOUT THE BOUNCY ORIENTATION WITH REGARD TO THE SUN.
The sliding surface should not be located under the sun as it can dazzle children when using the bouncy.

⚠ WARNING

Children (especially toddlers) are at high risk of drowning. Closely watch children who are in or near this Inflatable device. Empty Inflatable device or prevent access when not in use.

Drowning Risk:

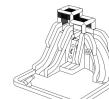
- Keep unsupervised children from accessing the pool by installing fencing or other approved barrier around all sides of the Water Park.
- State or local laws or codes may require fencing or other approved barriers. Check state or local laws and codes before setting up the Water Park.
- Drowning occurs silently and quickly. Assign an adult to supervise the Water Park
- Keep children in your direct sight when they are in or near the Water Park and when you are filling and emptying the Water Park.
- When searching for a missing child, check the pool first, even if you think your child is in the house.

First Aid :

- Keep a working phone and list of emergency numbers near the Water Park.
- Become certified in cardiopulmonary resuscitation (CPR) so you can respond to an emergency.



PART LIST



(A) 1 Water Park



(B) 1 Hose connector



(C) 1 Carrying Bag



(D) 8 Bouncer Stakes



(E) 4 Repair Patches



(F) 1 Hose assembly kit



(G) 1 Inflatable ball

SAFETY WARNINGS: SET UP

ADULT SUPERVISION AND SET UP REQUIRED. This product should be inflated or deflated only by a competent adult. Follow all instructions provided.

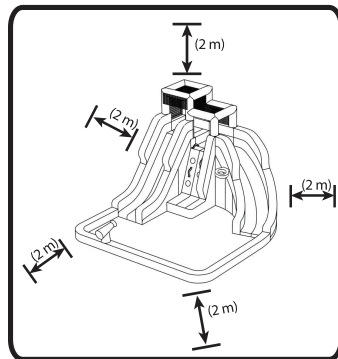
WARNING! Falls onto hard surfaces can result in head or other serious injuries. Never place on concrete, asphalt, wood, packed earth, or other hard surfaces. Carpet over hard floors may not prevent injury.

- ▲ **WARNING! Only for domestic use.** Intended for outdoor domestic family use only. Not for use in public areas or as a rental.
- Product is heavy. Use caution when lifting.
- Product should never be dragged across concrete, pavement or other rough surfaces.
- **WARNING! Keep away from fire.** Keep fabric clear of all flame and ignition sources.
- Do not set up in windy or rainy conditions: sudden gusts of wind may lift the product off the ground.
- Product can be installed in any orientation in relation to the sun, since there are no metal components or surfaces that can absorb excessive solar radiation.
- Set-up in outdoor location only that meets the following criteria:
 - Place on level ground and firm grass or soil to allow proper use of stakes.
 - Placing on slanted or uneven surfaces may cause the product to tip.
 - Stakes should be placed at an angle for better anchorage, should be driven under the ground to prevent tripping.
 - Minimum clearance zones: Place at least 2m away from any other objects.
 - Objects to be avoided include but are not limited to fences, buildings, trees, overhead branches, laundry lines, electrical wires, walls, or bodies or sources of water.
 - Make sure the area around the product is secure by adding safety barriers, if necessary, to keep young children and pets from gaining access.
- Electrical cord must not be passed under the air filled devices (Inflatable Bouncer with Slide) and interfere with its operation.
- The Bouncer with Slide uses a main powered blower (air pump) to maintain pressure, only to be used by an adult.
- Only the blower supplied should be used for inflation.
- Do not use extension cords with this product. Set up as close to power source as possible. The blower should be securely anchored to the ground before use.
- **CAUTION:** the blower is capable of moving large volumes of air very quickly. Place the blower in an area where it will not draw in dirt or leaves. Keep blower and power cord away from children, water and traffic.
- **ATTENTION:** Blower should remain on and continuously inflate Water Park during use. Airflow through seams is normal
- Do not use the product if wind speed exceeds 30km/h.
- Do not consume food, drink and gum on this product.

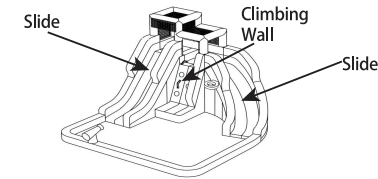
Minimum Clearance Zones

MINIMUM CLEARANCE ZONES

Make sure that there is a 2m obstacle-free zone around the product, including a fence, garage, house, overhanging branches, laundry lines or electrical wires.



Water park Placement



Designate a flat, level surface that allows for 2m of minimum clearance around the Water park.

NOTE: DO NOT place the Bouncer with slide on a hard surface like asphalt, concrete or packed earth as both serious bodily injury and damage to the Water park could result.

ASSEMBLY AREAS

- Make sure the assembly area is flat and level and is free of rocks, sharp objects or other obstructions.
- Do not set up the Water park on a slope or inline.
- Do not set up the Water park on hard-packed earth, asphalt, decking or any hard surface as doing so may result in physical injury and/or damage to the Water park.
- Once the Water park is inflated or filled with water, do not attempt to drag it to another location.
- Check your local county or city regulations for requirements on securing the pool.
- Secure the pool from unauthorized use.

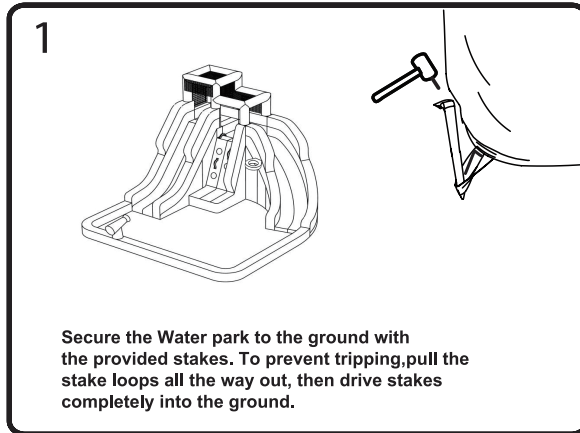
SAFETY WARNINGS: FAILURE TO FOLLOW THESE INSTRUCTIONS COULD RESULT IN SERIOUS INJURY OR DEATH.



- Constant, competent adult supervision of children and other young users is required at all times.
- Keep the area around the product clean, and clear of objects, to prevent slips and falls.
- Instruct children on proper use of this product. Do not use in a manner other than intended.
- Helmets, headgear, shoes, glasses, loose clothing, scarves, hoods, or clothing containing drawstrings should not be worn when using this product.
- Do not allow other toys or objects inside the product.
- Instruct children not to attach items to the product that are not specifically designed for use with the equipment, such as but not limited to, jump ropes, clothesline, pet leashes, cables and chains as they may cause a strangulation hazard.
- Keep pets away from product.
- Bounce away from others and stay away from sides wall, especially the opening.
- Do not jump onto or off of product.
- Do not allow children to play together who are unevenly matched in weight and height.
- The Maximum fall height of the inflatable device is 142 cm.
- Thoroughly dry before use.
- Total weight of children must not exceed 159 kg on slide and pool.
- Only one child at a time is allowed on each slide and climber.
- Children must not slide down head first on their stomach.
- Do not let children walk on the side where blower motor is attached.
- Always dry product before storage.
- Never use product as a floatation or life saving device.
- Children can drown in very small amounts of water. Empty the pool when not in use.
- Do not install the paddling pool over concrete, asphalt or any other hard surface.
- Always check product and all its anchorage points during use, and re-secure, as appropriate. Always check for excessive air loss, and re-inflate before allowing play to continue.
- As an outdoor product, this inflatable is subject to wear and deterioration. Keep product properly maintained and watch for signs of fabric failure. Weak or torn surfaces must be repaired promptly.
- If product contains a pool:
 - Never dive or jump into the pool area.
 - Do not sit on the edges of the pool as flooding may occur.
 - Always drain product after use. Do not leave it inflated or full of water overnight.
- Keep the pool area clean to prevent illness. Instruct all children never to drink pool water and to practice good hygiene.
- Before and during use, check for air loss. Check blower is properly connected.
- Always check the product and all its anchorage points before and during use, and to re-secure as appropriate.
- If applicable, remove water and debris from pocket steps after each play cycle.
- After inflation, the blower should run continuously while children are playing.
- Prior to deflating, remove all children.
- Always deflate product after use, and store indoors.
- The product should be periodically examined for potentially unsafe conditions such as: damaged cord, plug, housing, or parts, and that in the event such damage is found, the product should not be used until properly repaired. Never leave the fan outside in the rain or elements when not in use. Refer to the instructions for set-up, storage, maintenance and care.
- Product can be installed in any orientation in relation to the sun, since there are no metal components or surfaces that can absorb excessive solar radiation.
- To change the water of paddling pools frequently (particularly in hot weather) or when noticeably contaminated.
- Product can be installed in any orientation in relation to the sun, since there are no metal components or surfaces that can absorb excessive solar radiation.

Staking the Water park

△ **CAUTION** The Water park and all its anchorage points should be checked before and during use. Reinflate or re-secure as appropriate. **DO NOT** let children play on the water park until it is fully inflated!

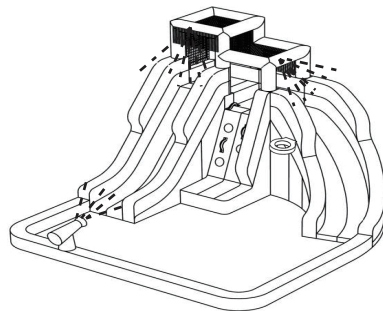


△ **WATER PARK CAUTIONS:**

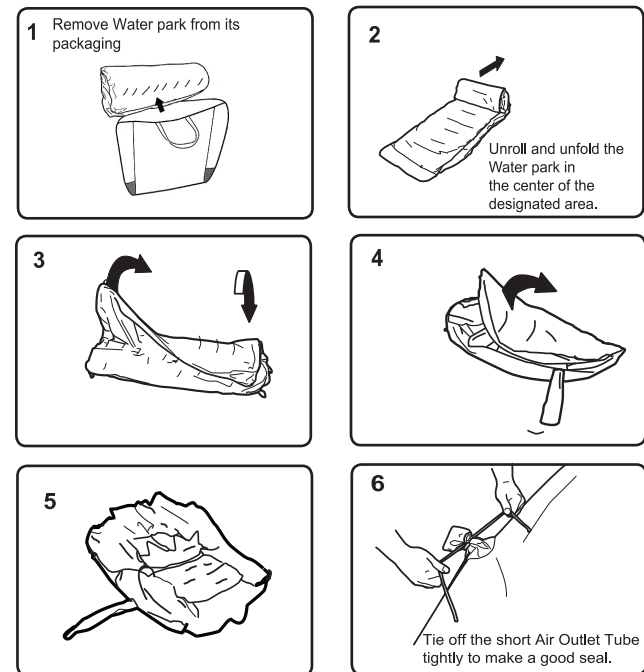
- Drive ground stakes completely into the ground to avoid tripping hazard.
- Do not use the Water slide until an Adult has assembled, staked down, and fully inflated.
- Do not set up or inflate the Water park in windy and/or rainy conditions as wind gusts may cause the park to become unstable and possibly be lifted from the ground.

Water park Spray Assembly

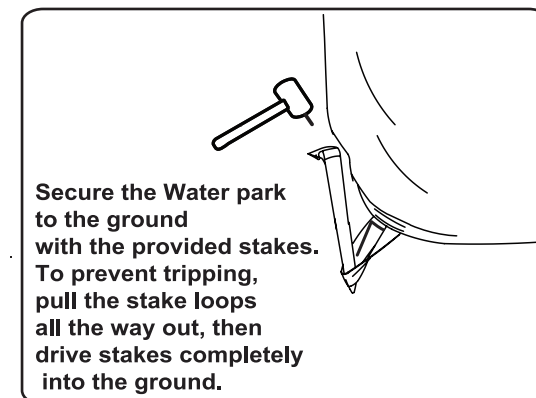
Turn on the garden hose and adjust the pressure as desired. Make sure that a steady spray of water comes out of the sprayer and keep the slides wet.



Set Up



INFLATION & STAKING



Playing in the Water park

NOTE: It is normal to see air bubbles rising from the pool floor and other wet areas of the Bouncer with Slide.

SLIDING

1. Climb up the climbing wall to the top of the slide.
2. Sit on the top with our feet pointing down the slide.
3. Scoot forward and slide down into the splashdown area.
4. DO NOT slide down on your stomach or head first.
5. Do not face the sun when sliding.

CAUTIONS:

- Children can drown in a very small amount of water. Empty the pool when not in use.
- To avoid the risk of injury, ALWAYS slide down the slide with feet first. NEVER slide down on your stomach or head first.
- Only one child should be on the slide and climb at one time.
- Total weight of children must not exceed 106 kg. (max.individual weight = 53 kg) on inflated surface.
- NEVER slide down the slide until the splashdown area is clear.
- NEVER slide or jump down the climbing wall.

Water Warnings

IMPORTANT:

To avoid serious injury or death, heed all warning signs that are printed on the Water park. These signs are shown below:



WARNING
BE CAREFUL! SOME OF THE WATER PARK SURFACES ARE SLIPPERY AND MAY PRESENT A TRIPPING HAZARD.

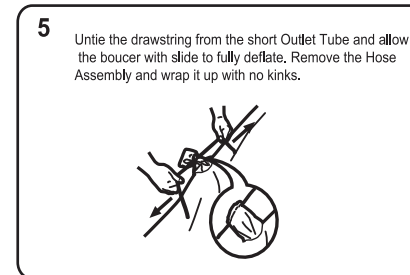
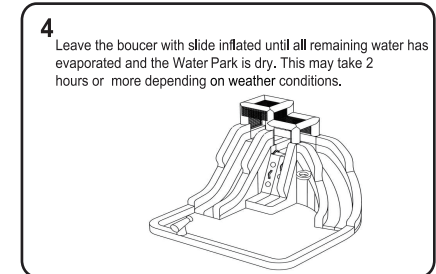
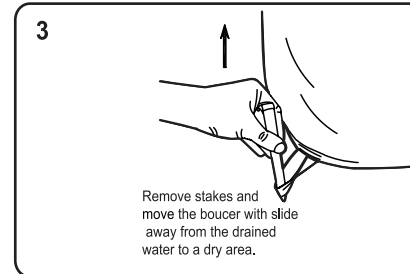
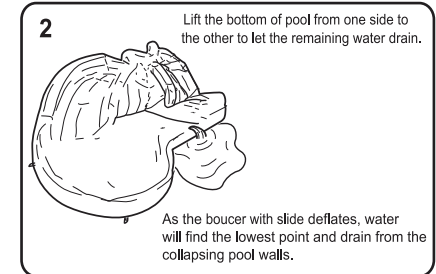
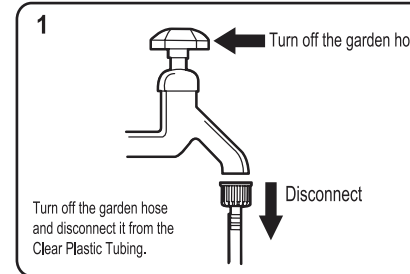


Draining & Deflation

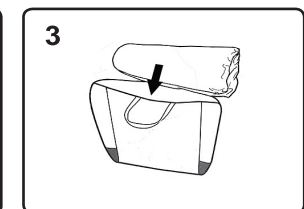
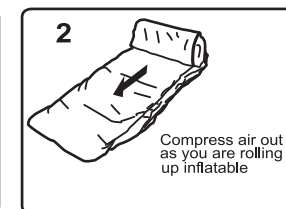
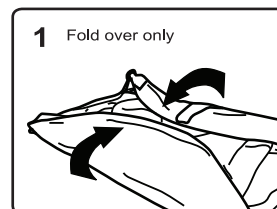
IMPORTANT- Inflatable Bouncer with Slide MUST be drained of all water and be COMPLETELY DRY before storage in order to avoid mold and mildew. DO NOT fold and store Bouncer with Slide if any moisture remains.

IMPORTANT- All children MUST EXIT the Bouncer with Slide before deflation or draining water.

IMPORTANT- For best results, 2-4 people should drain and move the Bouncer with Slide.



STORAGE

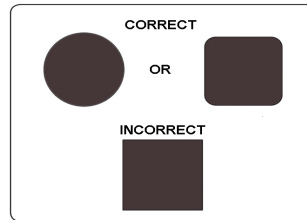


REPAIR PATCH INSTRUCTIONS

 **WARNING: Repair patches must be applied by an adult only. KEEP OUT OF REACH OF CHILDREN.**

INSTRUCTION:

1. Deflate the item, clean the area and allow to dry thoroughly.
2. Cut a portion of the patch to the size needed and round the corners. (See Fig).
3. Remove the adhesive backing from the patch material, position the patch over the damaged area and smooth out any bubbles.
4. Allow to sit for 30 minutes before re-inflating.



INSTRUCTIONS FOR WATER PARK MAINTENANCE

- As an outdoor product, the water park is subject to wear and deterioration. Inspect for signs of fabric failure; weak or torn surfaces must be repaired promptly.
- To keep the product clean: wipe the water park or blower using a dry cloth or a cloth dampened with a neutral, non-inflammable, nontoxic cleaning and sanitizing solution or pure water.
- Product should never be stored wet. Allow to dry before rolling up.

DISPOSAL

- Disassemble and dispose of the equipment in such a manner that no hazardous conditions exist at the time the equipment is discarded.
- Blower should be returned to a collection center



'Let's care for the environment!'
The wheelie bin symbol indicates that the product must not be disposed of with other household waste. Please use designated collection points or recycling facilities when disposing of the item.

Please keep this manual as it contains important information.

INSTRUCTIONS FOR BLOWER MAINTENANCE

- Blower must be unplugged before servicing.
- If the supply cord is damaged, it must be replaced by qualified persons in order to avoid a hazard
- Product should be periodically examined for potentially unsafe conditions such as damaged cord, plug, housing, or parts, and that in the event such damage is found, the product should not be used until properly repaired. If these checks are not carried out, the product could overturn or otherwise become a hazard.
- The blower does not require any lubrication and has no user serviceable parts. Do not attempt to service the blower.
- Do not immerse the fan in water. To clean, wipe with a damp cloth.
- Regularly check the intake and output openings and keep free of dirt, leaves, etc.
- When not in use, store the blower indoors in a dry place.
- Store the blower upright on a stable surface.
- Loosely coil the cord and place it beside the blower.
- When in use, do not place the cord across traffic areas, water or damp areas.
- The blower is a high volume blower, and is capable of moving large volumes of air very quickly. Place the blower in an area where it will not draw in dirt or leaves.

Welcome to visit our website and purchase our quality products!

Your suggestions and comments for COSTWAY are really important to us!
We sincerely solicit you to go back to our shop and leave a good rating in just a simple click. It would be quite encouraging if you could kindly do so like below:

★★★★★ Great products so far

February 24, 2019

Great products so far. Fast delivery, easy setup, and working without any issues.

With your inspiring rating, COSTWAY will be more consistent to offer you EASY SHOPPING EXPERIENCE, GOOD PRODUCTS and EFFICIENT SERVICE!

US office: Fontana, California

UK office: Ipswich



- * Reward Points
- * Exclusive Customer Service
- * Personalized Recommendations
- * Permanent Shopping Cart
- * Order History

5 Star Rating



We would like to extend our heartfelt thanks to all of our customers for taking time to assemble this product and giving us valuable feedbacks.

THANK YOU
😊