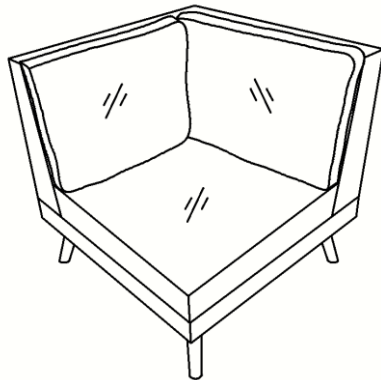


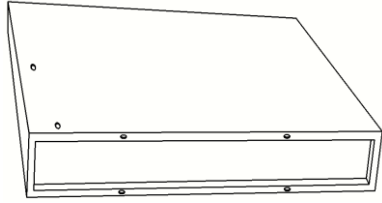
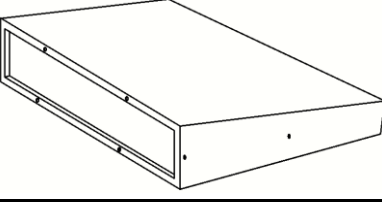
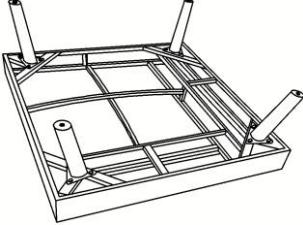
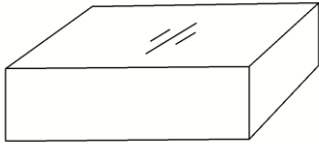
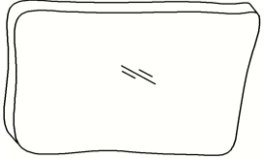
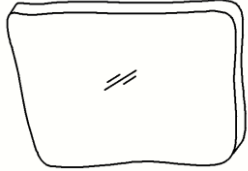
Assembly Instructions

Caution : You must read this before you proceed

Corner Sofa



Parts List

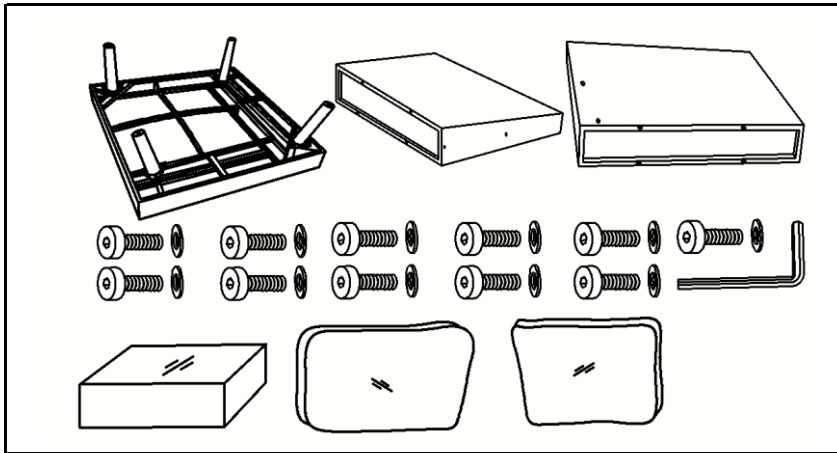
Label	Picture	Description	QTY
A		Back Panel	1
B		Small Back Panel	1
C		Seat Panel	1
D		Cushion	1
E		Back Cushion	1
F		Small Back Cushion	1






Hardware

Label	Picture	Description	QTY
①		Allen Key	1
②		Bolt (M6*35)	11
③		Washer	11

Assembly Preparation

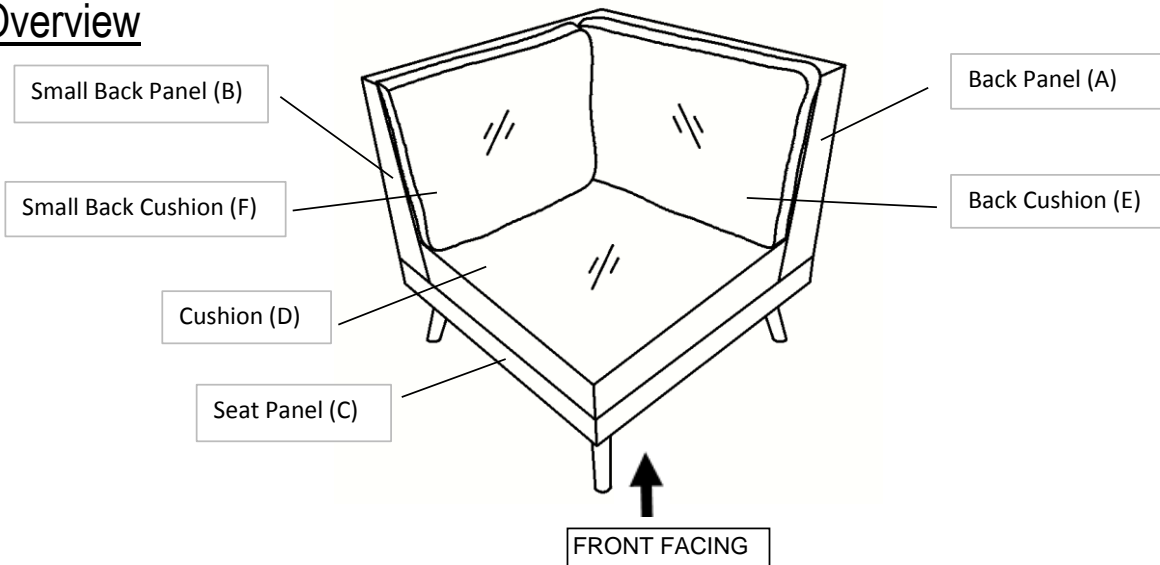
Before Beginning Assembly:



-  • Read instructions, cover to cover-
-  • Have 2 adults on hand for assembly-
-  • Do not assemble on flooring or carpet-
-  • Assemble on a clean non-marring surface (packing foam)-
-  • Save all packaging until finished-

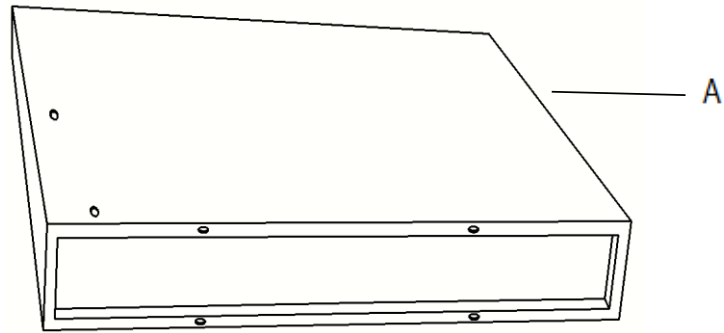
Assembly Steps

Overview



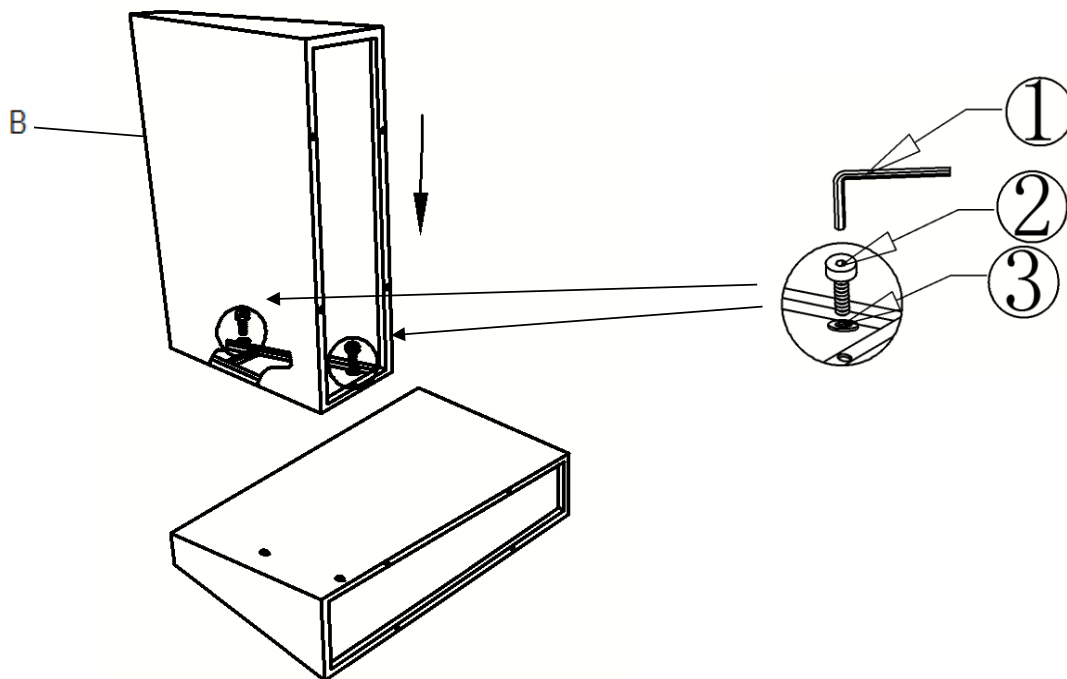
This Corner Sofa has multiple parts and may require up to 30 minutes to assemble. To give you an overview of the Corner Sofa parts, the above picture is to help you put the various parts into perspective. Please read through the instructions below to familiarise yourself with the parts and steps before assembly.

Step 1



Unpack and place Back Panel(A) on its side on a clean, non-marring surface.

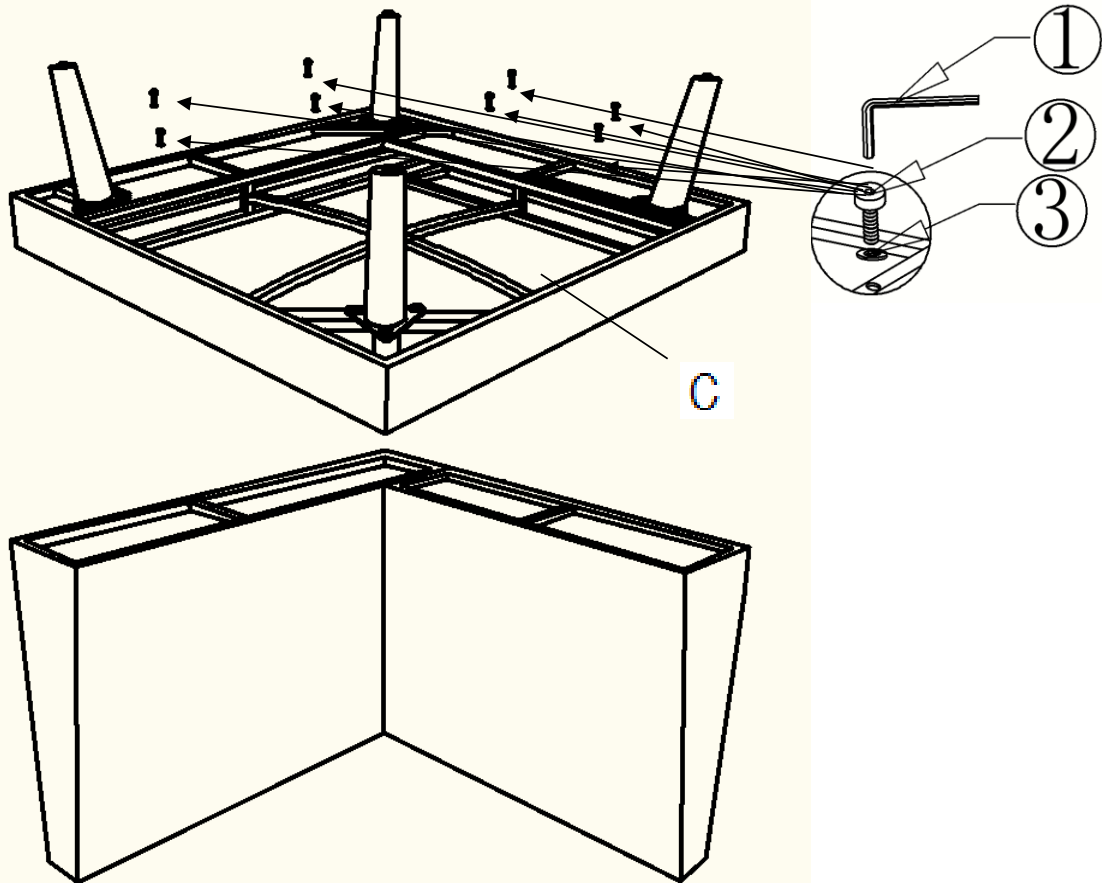
Step 2



Attach Small Back Panel(B) to Back Panel(A) using Bolts(②) and Washers(③) with Allen Key(①).

Do not fully tighten the Bolts.

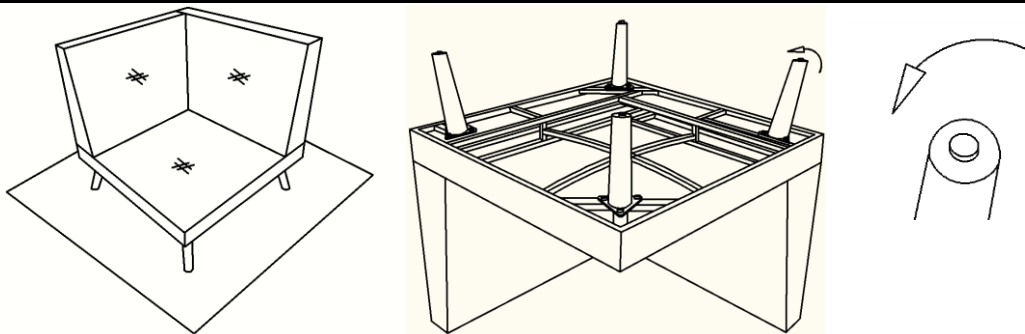
Step 3



Attach Seat Panel(C) to Back Panel(A) and Small Back Panel(B) using Bolts(②) and Washers(③) with Allen Key(①) as shown in the picture.

Now, proceed to tighten all Bolts at all joints in a sequential manner.

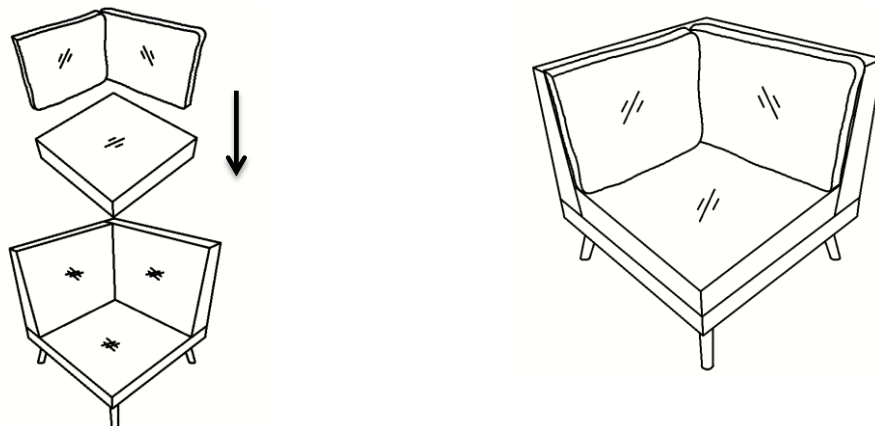
Step 4



Place the Sofa on a **LEVEL SURFACE** to check for wobbles.

If it wobbles, adjust the Legs Pre-installed Levellers until the Sofa is level with the ground.





















Step 5



Put the Cushion(D) , Back Cushion(E) and Small Back Cushion(F) onto the Sofa.
Your Corner Sofa is now ready for use.

This Corner Sofa can only be used on a flat, level surface.

Care & Maintenance

-   ● Do not put hot items directly on furniture surface
 -   ● Do not clean furniture with harsh cleansers or polish.
 -   ● To obtain the longest lifespan of your outdoor products, minimizing exposure to direct sunlight is recommended.
 -   ● Children should not climb or jump on the furniture.
 -   ● Do not write on furniture without a padded barrier to protect the surface.
 -   ● To obtain the longest lifespan of your outdoor products, avoid extended and lengthy exposure to rain, snow, and direct sunshine. Whenever possible cover the product and /or place under patio or awnings.
 -   ● Not for commercial use. For residential use only .
 -   ● Stains may be removed with mild soap solution and damp cloth.
 -   ● Keep away from sources of ignition.
-
-   ● Dust and pick-up spills using a clean, non-colored, lint-free cloth .

What is Proposition 65?

Proposition 65 is a California law that requires warning labels on products that may contain one of more than 800-plus chemicals or ingredients that the California Office of Environmental Health Hazard Assessment (OEHHA) has deemed to cause cancer or other reproductive toxicity. Chemicals and elements on this list include wood dust, brass, and other everyday substances, which can be found in very common household items, such as: lamps, tableware, jewelry, crystal glasses, electric cords, beauty products, automobiles, and furniture.

Why Did I Find a Proposition 65 Warning on My Home Goods Product?

We include Proposition 65 warnings on all of our products because there is always a chance that one of the 800-plus common chemicals and ingredients listed under this law could potentially be on our furniture or packing materials. We risk large fines under this law, if we don't include this warning.

Should I worry?

We realize you may be worried finding this warning on our products, but we want to reassure you that the hazardous exposure limits for any of these chemicals have never been found on furniture products that we've shipped to our customers. Additionally, this warning label is very common and can be found on almost every piece of furniture sold in the state of California.

Just How Common Are Proposition 65 Warnings?

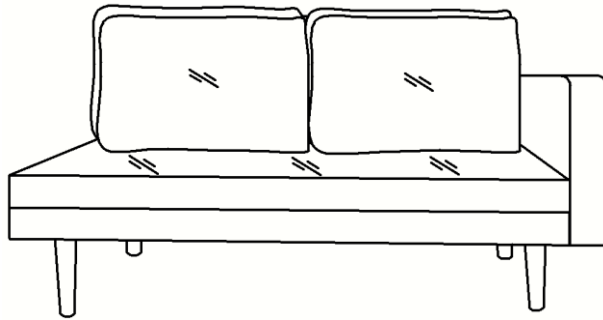
Proposition 65 warnings have become so common in California that it is hard to take a trip to a local bank, grocery store, or restaurant without finding at least one warning. In fact, even the Disney Land Resort has a Proposition 65 warning:



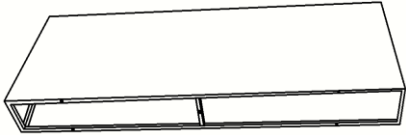
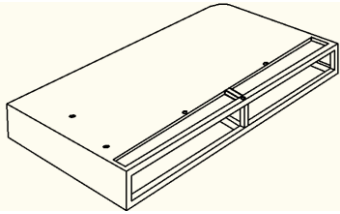
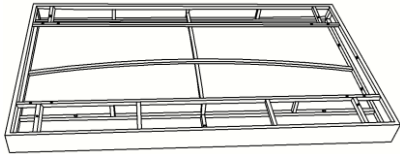
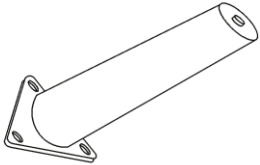
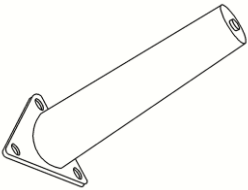

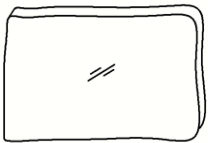
Assembly Instructions

Caution : You must read this before you proceed


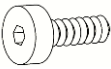
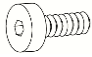

Left Sofa



Parts List

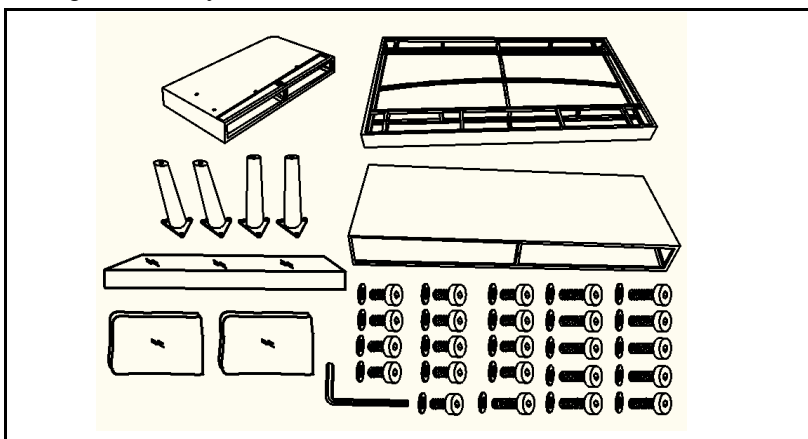
Label	Picture	Description	QTY
A		Backrest	1
B		Left Armrest	1
C		Seat Panel	1
D		Back Leg	2
E		Front Leg	2
F		Cushion	1
G		Back Cushion	2

Hardware

Label	Picture	Description	QTY
①		Allen Key	1
②		Bolt (M6*35)	11
③		Bolt (M6*16)	13
④		Washer	24

Assembly Preparation

Before Beginning Assembly:



- Read instructions, cover to cover-



- Have 2 adults on hand for assembly-



- Do not assemble on flooring or carpet-



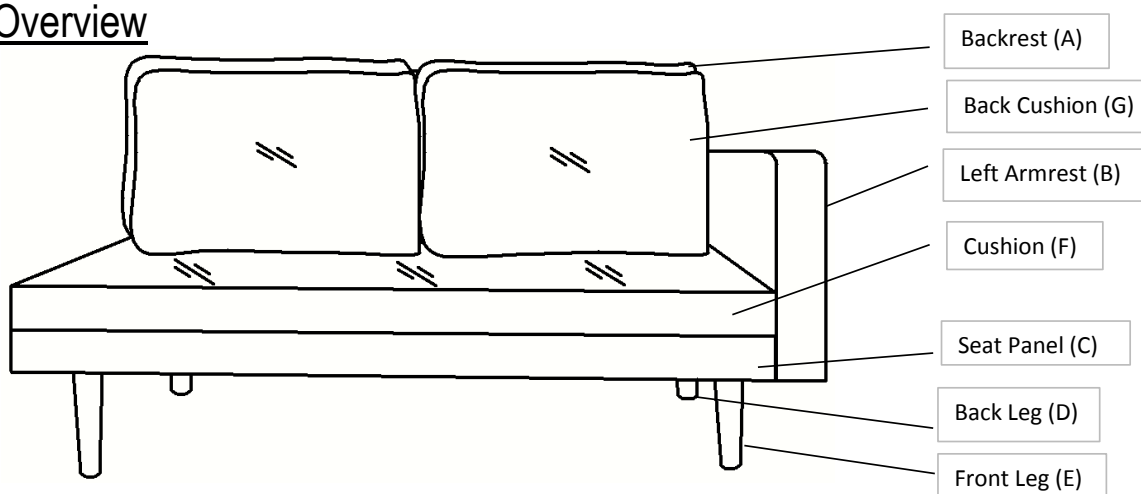
- Assemble on a clean non-marring surface (packing foam)-



- Save all packaging until finished-

Assembly Steps

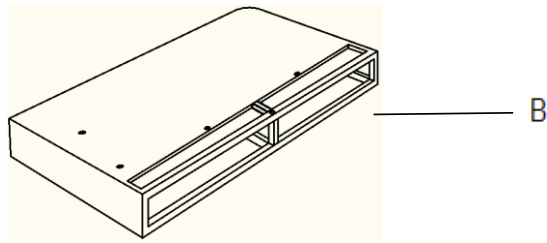
Overview



This Left Sofa has multiple parts and may require up to 30 minutes to assemble.

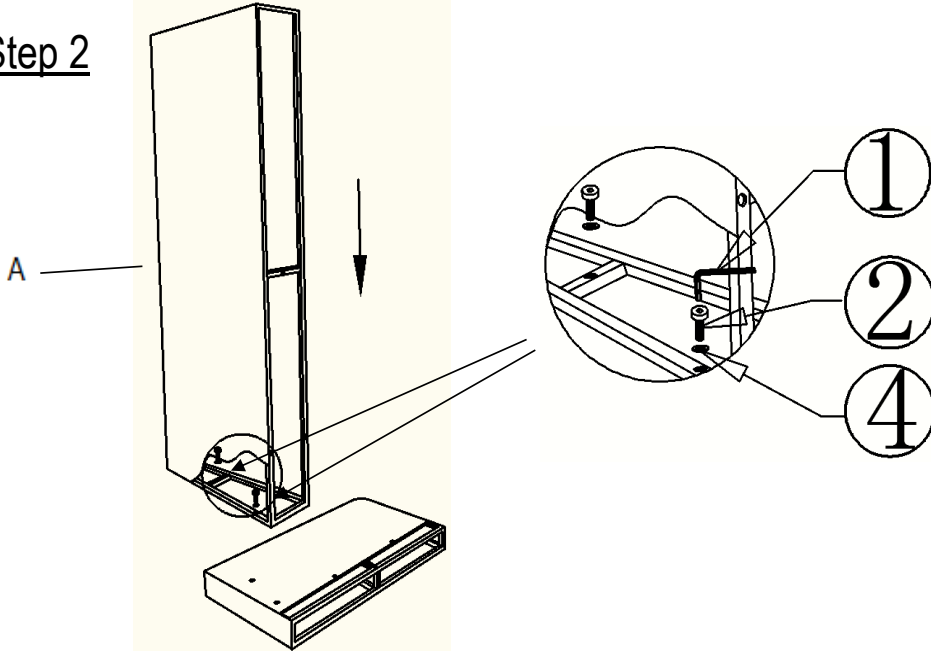
To give you an overview of the Left Sofa parts, the above picture is to help you put the various parts into perspective. Please read through the instructions below to familiarise yourself with the parts and steps before assembly.

Step 1



Unpack and place Left Armrest(B) on its side on a clean, non-marring surface.

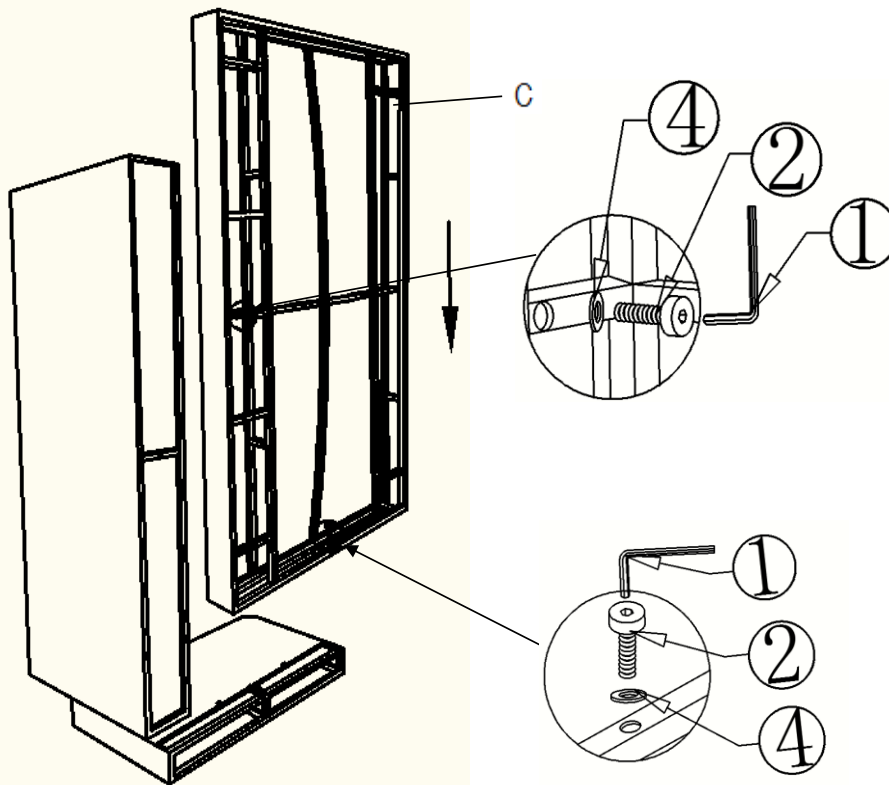
Step 2



Attach Backrest(A) to Left Armrest(B) using Bolts(2) and Washers(4) with Allen Key(1).

Do not fully tighten the Bolts.

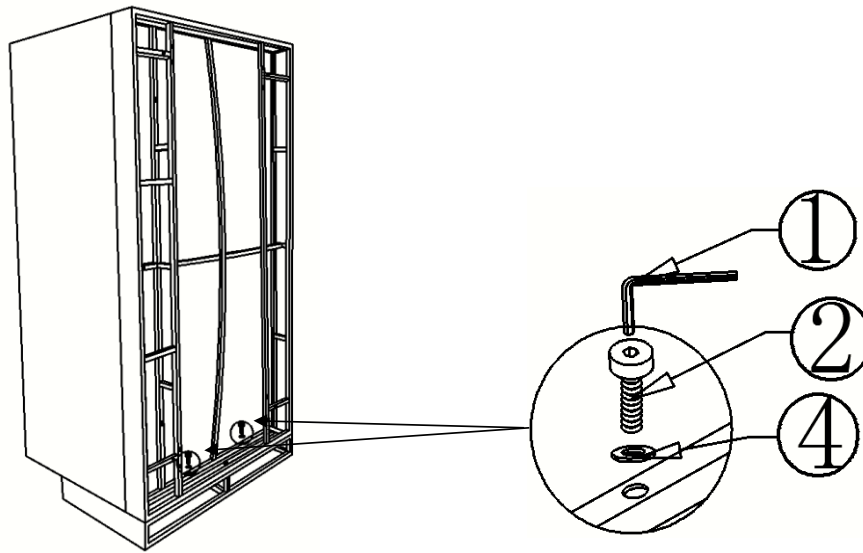
Step 3



Attach Seat Panel(C) to Backrest Panel(A) and Left Armrest(B) using Bolts(2) and Washers(4) with Allen Key(1) as shown in the picture.

Do not fully tighten the Bolts.

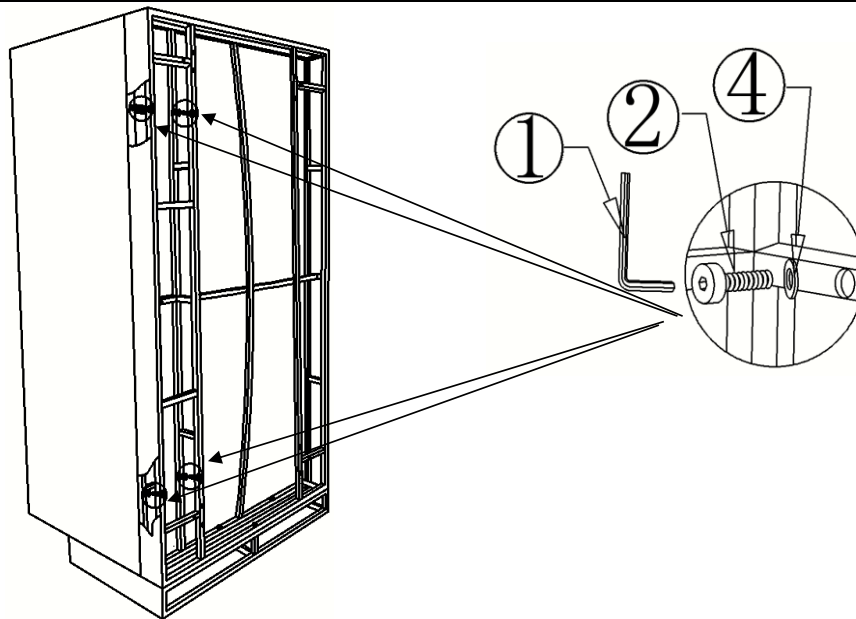
Step 4



Attach Seat Panel(C) to Left Armrest(B) using Bolts(2) and Washers(4) with Allen Key(1) as shown in the picture.

Do not fully tighten the Bolts.

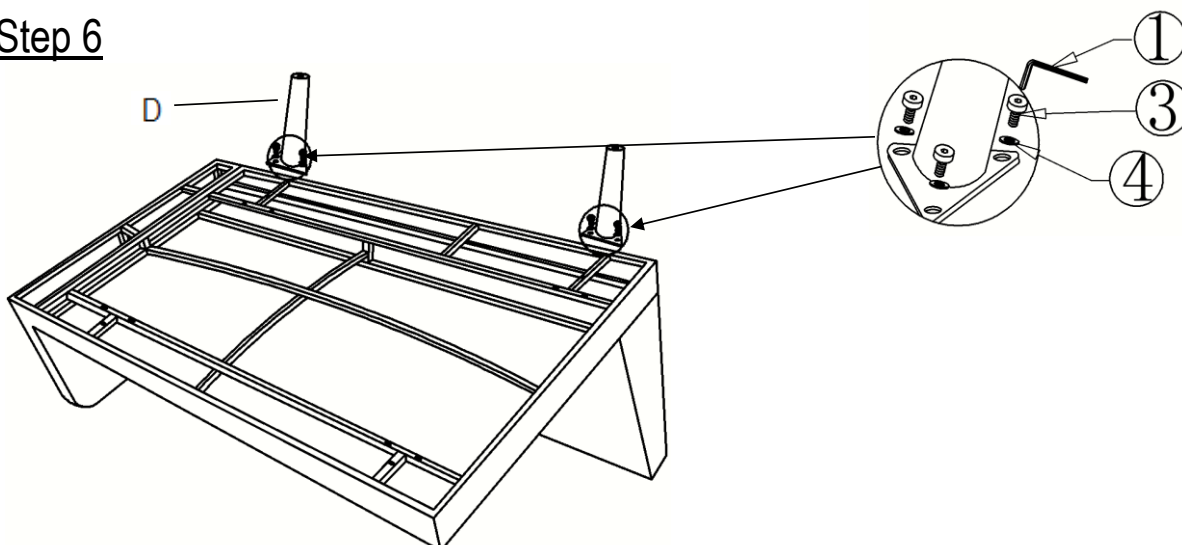
Step 5



Attach Seat Panel(C) to Backrest Panel(B) using Bolts(2) and Washers(4) with Allen Key(1) as shown in the picture.

Do not fully tighten the Bolts.

Step 6

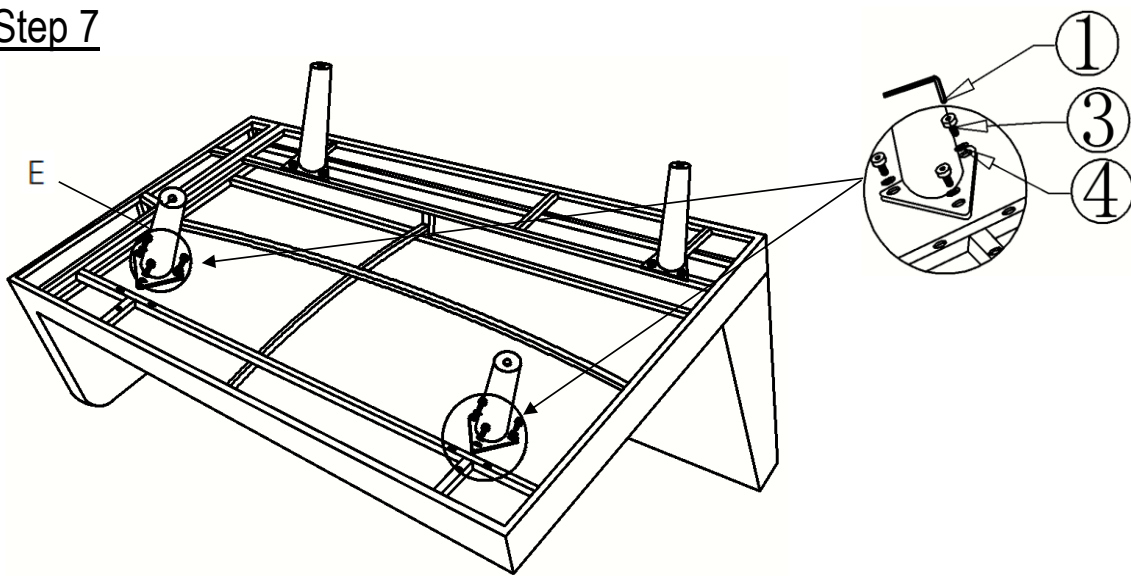


Align Back Legs(D) to mounting positions on the base of the Seat Panel(C).

Attach Back Legs(D) to Seat Panel(C) using Bolts(3) and Washers(4) with Allen Key(1) as shown in the picture.

Do not fully tighten the Bolts.

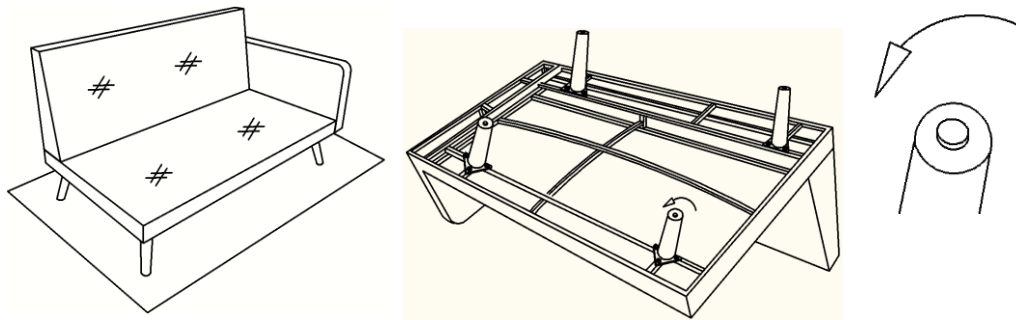
Step 7



Align Front Legs(E) to mounting positions on the base of the Seat Panel(C). Attach Front Legs(E) to Seat Panel(C) using Bolts(3) and Washers(4) with Allen Key(1) as shown in the picture.

Now, proceed to tighten all Bolts at all joints in a sequential manner.

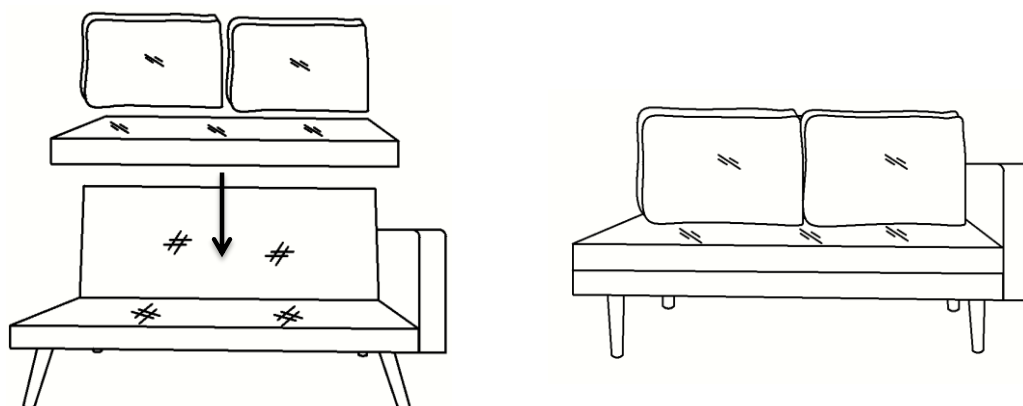
Step 8



Place the Sofa on a **LEVEL SURFACE** to check for wobbles.

If it wobbles, adjust the Legs Pre-installed Levellers until the Sofa is level with the ground.

Step 9























Put the Cushion(F) and Back Cushion(G) onto the Sofa.

Your Left Sofa is now ready for use.

This Left Sofa can only be used on a flat, level surface.

Care & Maintenance

-   Do not put hot items directly on furniture surface
 -   Do not clean furniture with harsh cleansers or polish.
 -   To obtain the longest lifespan of your outdoor products, minimizing exposure to direct sunlight is recommended.
 -   Children should not climb or jump on the furniture.
 -   Do not write on furniture without a padded barrier to protect the surface.
 -   To obtain the longest lifespan of your outdoor products, avoid extended and lengthy exposure to rain, snow, and direct sunshine. Whenever possible cover the product and /or place under patio or awnings.
 -   Not for commercial use. For residential use only .
 -   Stains may be removed with mild soap solution and damp cloth.
 -   Keep away from sources of ignition.
-
-   Dust and pick-up spills using a clean, non-colored, lint-free cloth .

What is Proposition 65?

Proposition 65 is a California law that requires warning labels on products that may contain one of more than 800-plus chemicals or ingredients that the California Office of Environmental Health Hazard Assessment (OEHHA) has deemed to cause cancer or other reproductive toxicity. Chemicals and elements on this list include wood dust, brass, and other everyday substances, which can be found in very common household items, such as: lamps, tableware, jewelry, crystal glasses, electric cords, beauty products, automobiles, and furniture.

Why Did I Find a Proposition 65 Warning on My Home Goods Product?

We include Proposition 65 warnings on all of our products because there is always a chance that one of the 800-plus common chemicals and ingredients listed under this law could potentially be on our furniture or packing materials. We risk large fines under this law, if we don't include this warning.

Should I worry?

We realize you may be worried finding this warning on our products, but we want to reassure you that the hazardous exposure limits for any of these chemicals have never been found on furniture products that we've shipped to our customers. Additionally, this warning label is very common and can be found on almost every piece of furniture sold in the state of California.

Just How Common Are Proposition 65 Warnings?

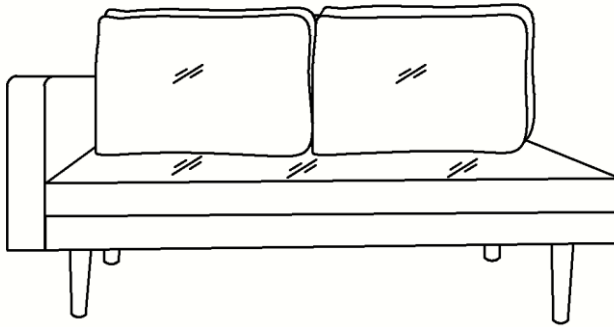
Proposition 65 warnings have become so common in California that it is hard to take a trip to a local bank, grocery store, or restaurant without finding at least one warning. In fact, even the Disney Land Resort has a Proposition 65 warning:



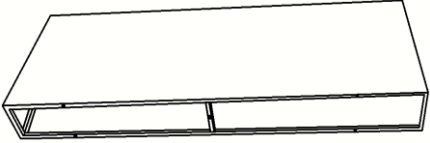
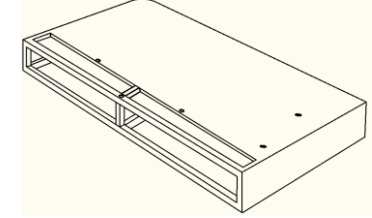
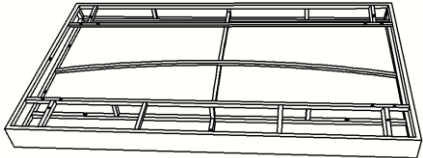
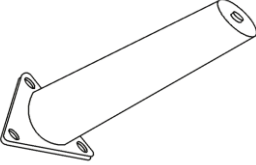
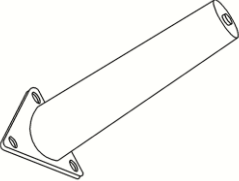
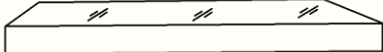

Assembly Instructions

Caution : You must read this before you proceed

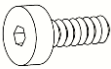

Right Sofa



Parts List

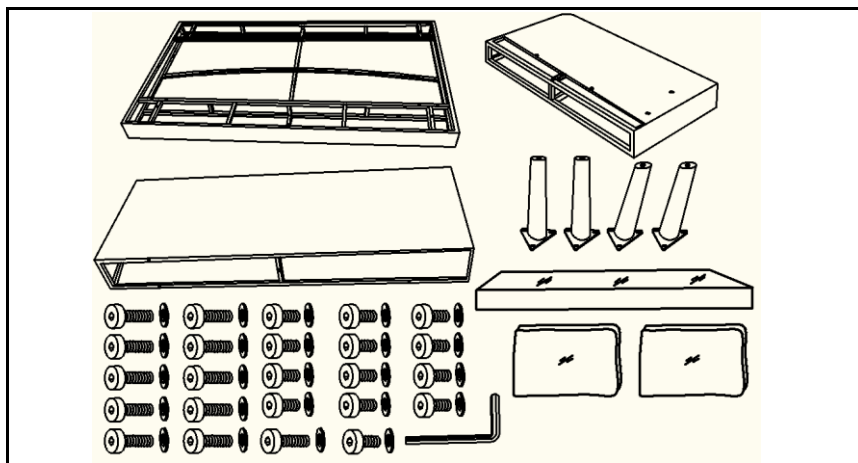
Label	Picture	Description	QTY
A		Backrest	1
B		Right Armrest	1
C		Seat Panel	1
D		Back Leg	2
E		Front Leg	2
F		Cushion	1
G		Back Cushion	2






Hardware

Label	Picture	Description	QTY
①		Allen Key	1
②		Bolt (M6*35)	11
③		Bolt (M6*16)	13
④		Washer	24

Assembly Preparation

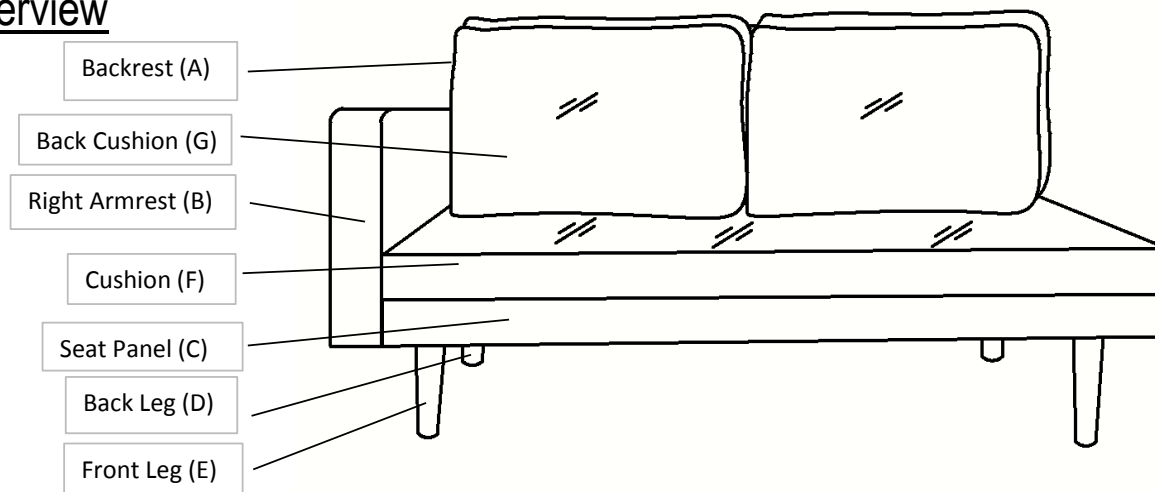
Before Beginning Assembly:



-  • Read instructions, cover to cover-
-  • Have 2 adults on hand for assembly-
-  • Do not assemble on flooring or carpet-
-  • Assemble on a clean non-marring surface (packing foam)-
-  • Save all packaging until finished-

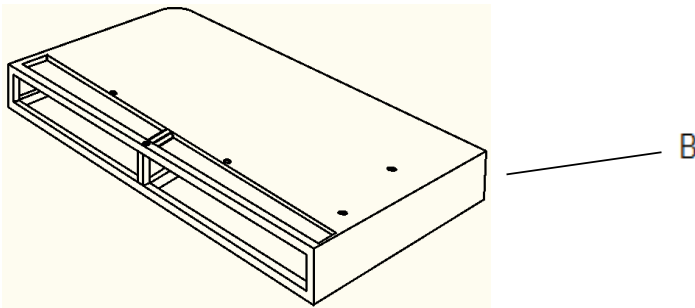
Assembly Steps

Overview



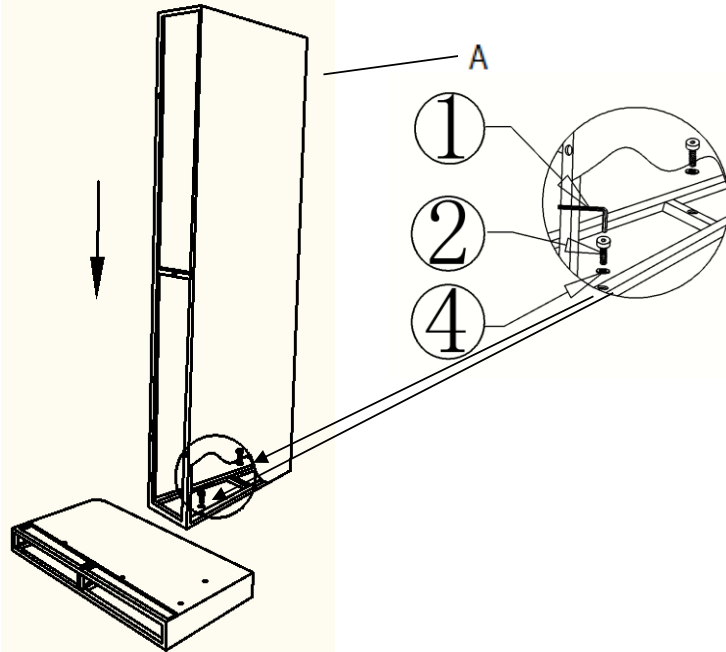
This Right Sofa has multiple parts and may require up to 30 minutes to assemble. To give you an overview of the Right Sofa parts, the above picture is to help you put the various parts into perspective. Please read through the instructions below to familiarise yourself with the parts and steps before assembly.

Step 1



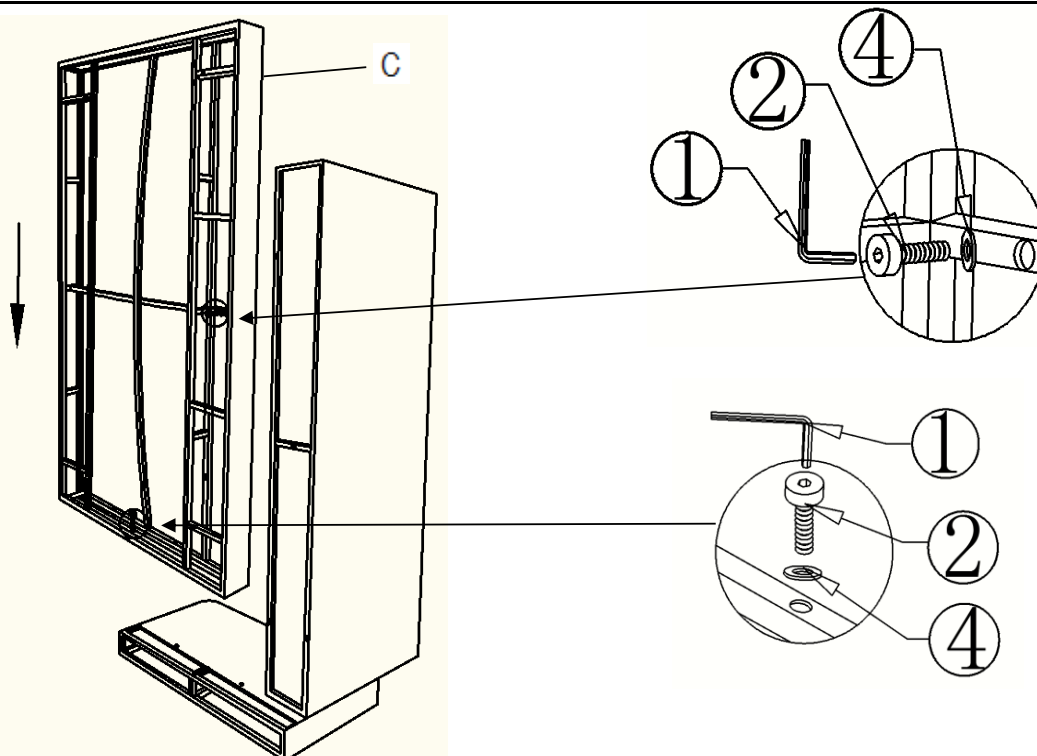
Unpack and place Right Armrest(B) on its side on a clean, non-marring surface.

Step 2



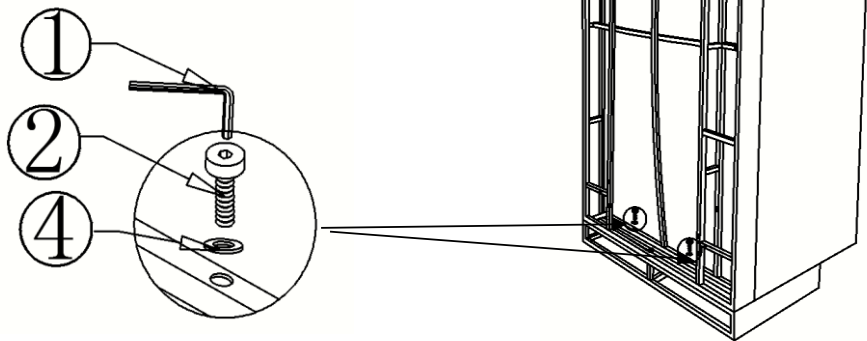
Attach Backrest(A) to Right Armrest(B) using Bolts(2) and Washers(4) with Allen Key(1).
Do not fully tighten the Bolts.

Step 3



Attach Seat Panel(C) to Backrest Panel(A) and Right Armrest(B) using Bolts(2) and Washers(4) with Allen Key(1) as shown in the picture.
Do not fully tighten the Bolts.

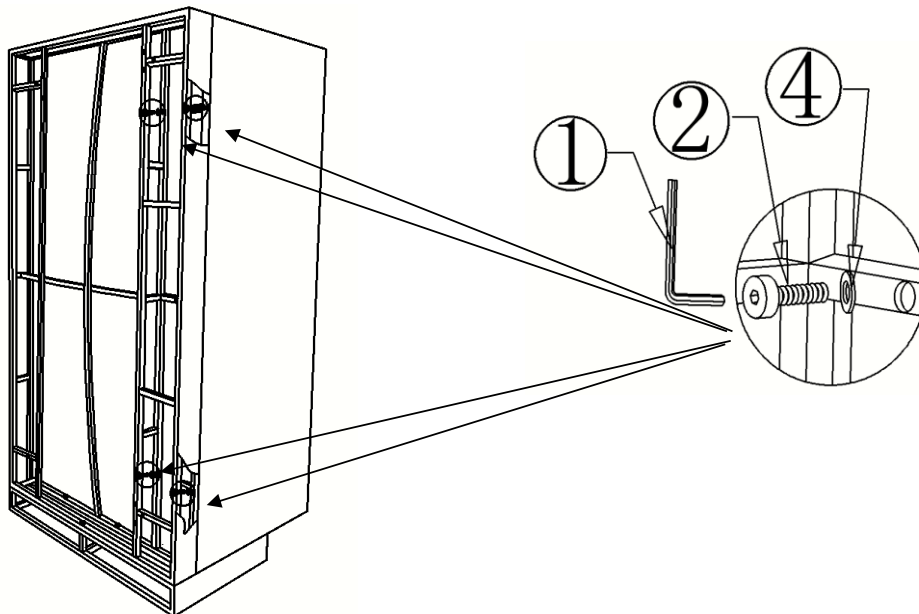
Step 4



Attach Seat Panel(C) to Right Armrest(B) using Bolts(2) and Washers(4) with Allen Key(1) as shown in the picture.

Do not fully tighten the Bolts.

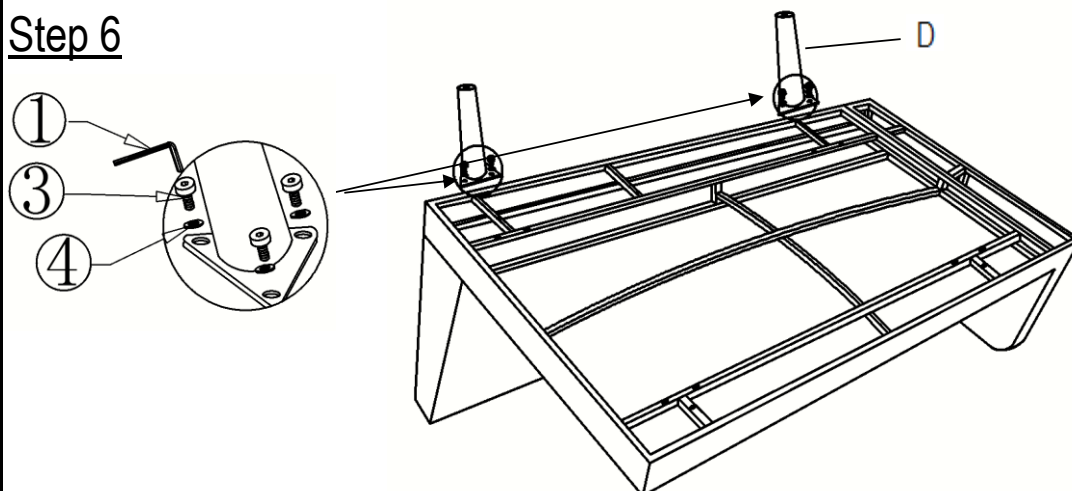
Step 5



Attach Seat Panel(C) to Backrest Panel(B) using Bolts(2) and Washers(4) with Allen Key(1) as shown in the picture.

Do not fully tighten the Bolts.

Step 6

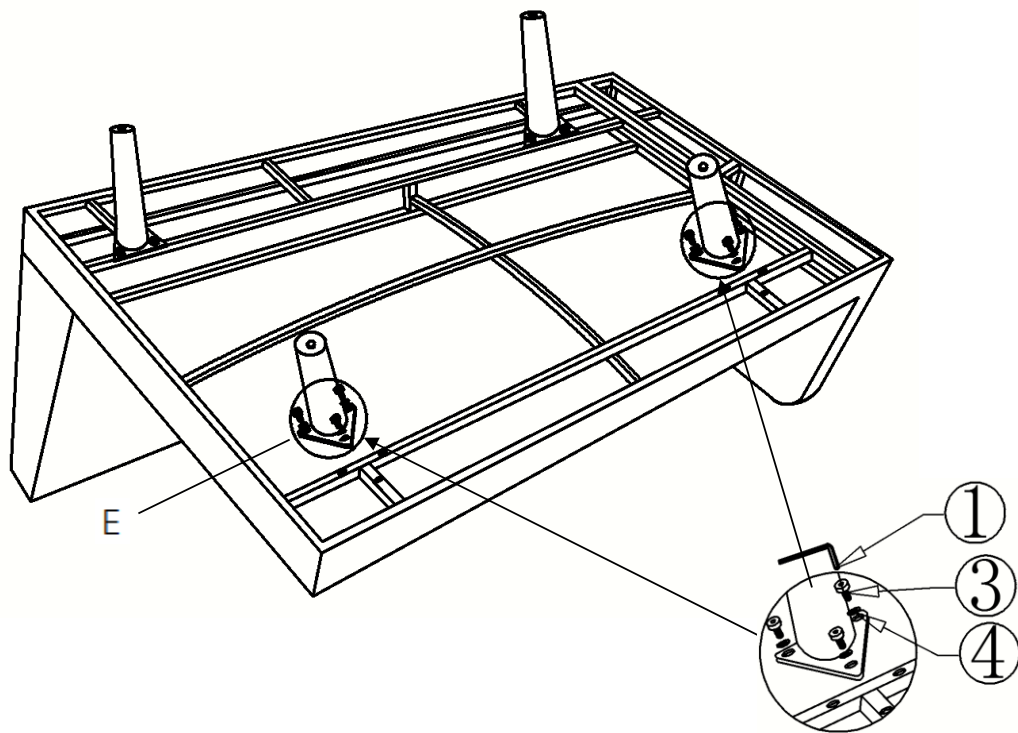


Align Back Legs(D) to mounting positions on the base of the Seat Panel(C).

Attach Back Legs(D) to Seat Panel(C) using Bolts(3) and Washers(4) with Allen Key(1) as shown in the picture.

Do not fully tighten the Bolts.

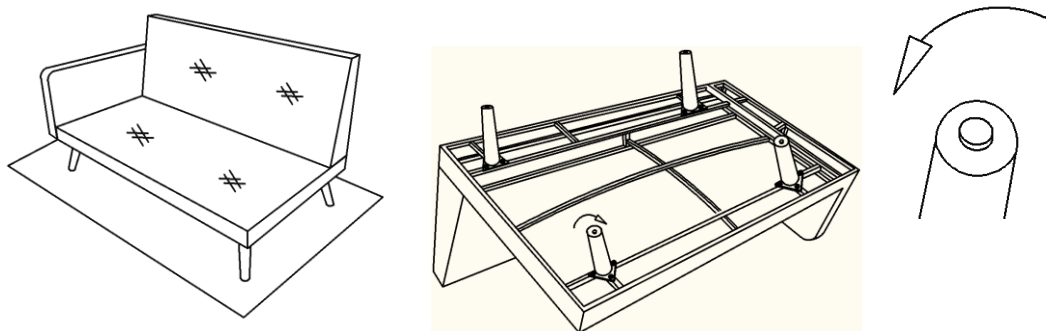
Step 7



Align Front Legs(E) to mounting positions on the base of the Seat Panel(C). Attach Front Legs(E) to Seat Panel(C) using Bolts(3) and Washers(4) with Allen Key(1) as shown in the picture.

Now, proceed to tighten all Bolts at all joints in a sequential manner.

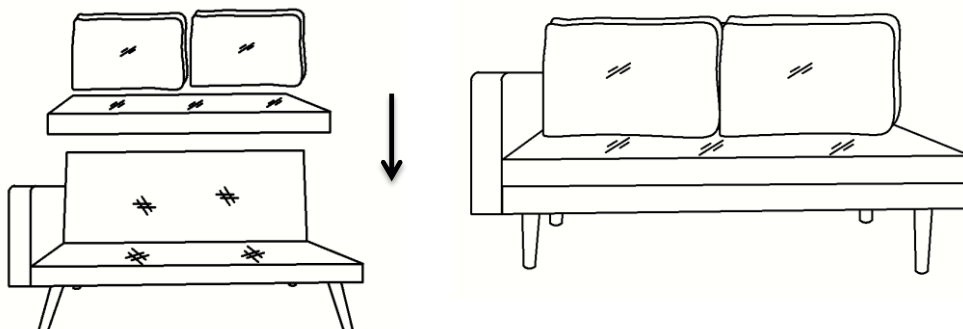
Step 8



Place the Sofa on a LEVEL SURFACE to check for wobbles.

If it wobbles, adjust the Legs Pre-installed Levellers until the Sofa is level with the ground.

Step 9























Put the Cushion(F) and Back Cushion(G) onto the Sofa.

Your Right Sofa is now ready for use.

This Right Sofa can only be used on a flat, level surface.

Care & Maintenance

-   • Do not put hot items directly on furniture surface
 -   • Do not clean furniture with harsh cleansers or polish.
 -   • To obtain the longest lifespan of your outdoor products, minimizing exposure to direct sunlight is recommended.
 -   • Children should not climb or jump on the furniture.
 -   • Do not write on furniture without a padded barrier to protect the surface.
 -   • To obtain the longest lifespan of your outdoor products, avoid extended and lengthy exposure to rain, snow, and direct sunshine. Whenever possible cover the product and /or place under patio or awnings.
 -   • Not for commercial use. For residential use only .
 -   • Stains may be removed with mild soap solution and damp cloth.
 -   • Keep away from sources of ignition.
-
-   • Dust and pick-up spills using a clean, non-colored, lint-free cloth .

What is Proposition 65?

Proposition 65 is a California law that requires warning labels on products that may contain one of more than 800-plus chemicals or ingredients that the California Office of Environmental Health Hazard Assessment (OEHHA) has deemed to cause cancer or other reproductive toxicity. Chemicals and elements on this list include wood dust, brass, and other everyday substances, which can be found in very common household items, such as: lamps, tableware, jewelry, crystal glasses, electric cords, beauty products, automobiles, and furniture.

Why Did I Find a Proposition 65 Warning on My Home Goods Product?

We include Proposition 65 warnings on all of our products because there is always a chance that one of the 800-plus common chemicals and ingredients listed under this law could potentially be on our furniture or packing materials. We risk large fines under this law, if we don't include this warning.

Should I worry?

We realize you may be worried finding this warning on our products, but we want to reassure you that the hazardous exposure limits for any of these chemicals have never been found on furniture products that we've shipped to our customers. Additionally, this warning label is very common and can be found on almost every piece of furniture sold in the state of California.

Just How Common Are Proposition 65 Warnings?

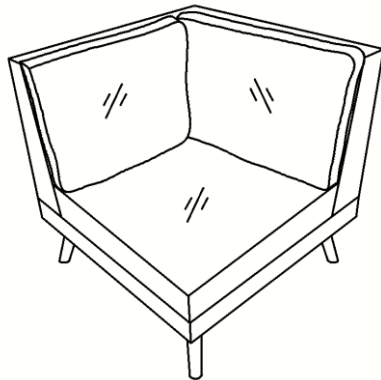
Proposition 65 warnings have become so common in California that it is hard to take a trip to a local bank, grocery store, or restaurant without finding at least one warning. In fact, even the Disney Land Resort has a Proposition 65 warning:



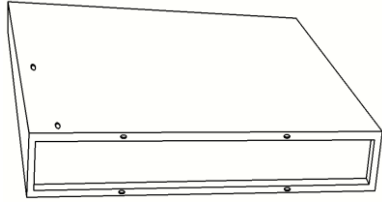
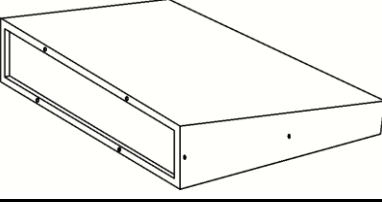
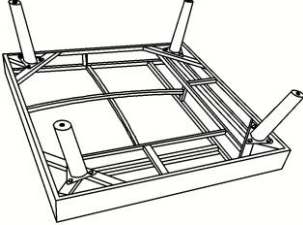
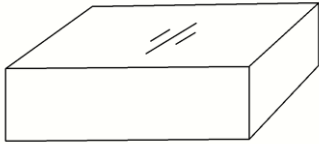
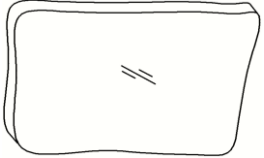
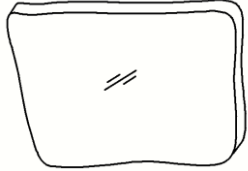
Assembly Instructions

Caution : You must read this before you proceed

Corner Sofa



Parts List

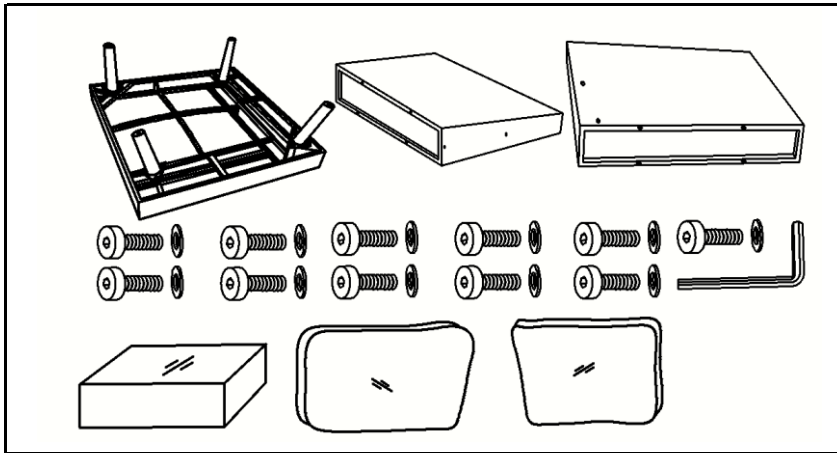
Label	Picture	Description	QTY
A		Back Panel	1
B		Small Back Panel	1
C		Seat Panel	1
D		Cushion	1
E		Back Cushion	1
F		Small Back Cushion	1

Hardware

Label	Picture	Description	QTY
①		Allen Key	1
②		Bolt (M6*35)	11
③		Washer	11

Assembly Preparation

Before Beginning Assembly:



- Read instructions, cover to cover-



- Have 2 adults on hand for assembly-



- Do not assemble on flooring or carpet-



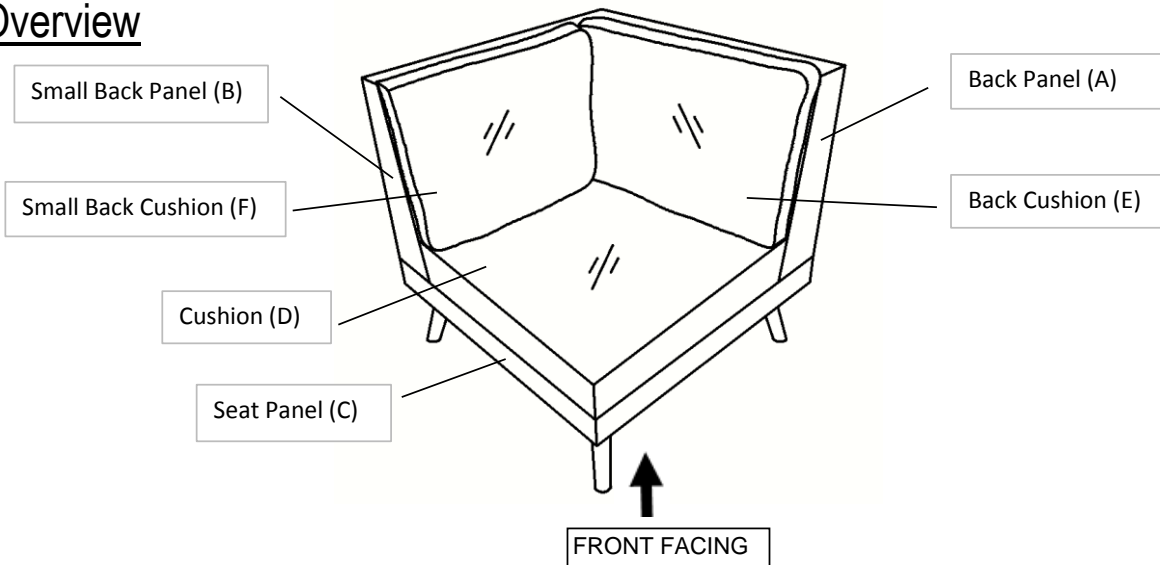
- Assemble on a clean non-marring surface (packing foam)-



- Save all packaging until finished-

Assembly Steps

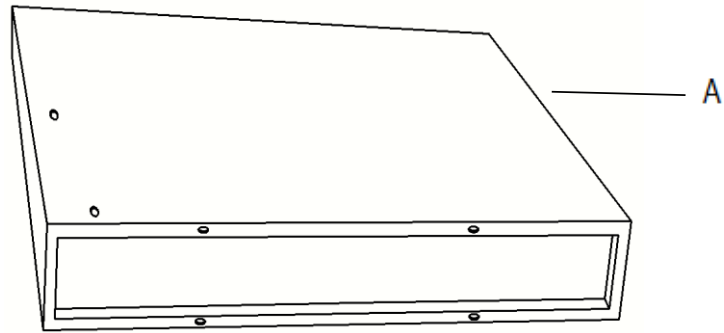
Overview



This Corner Sofa has multiple parts and may require up to 30 minutes to assemble.

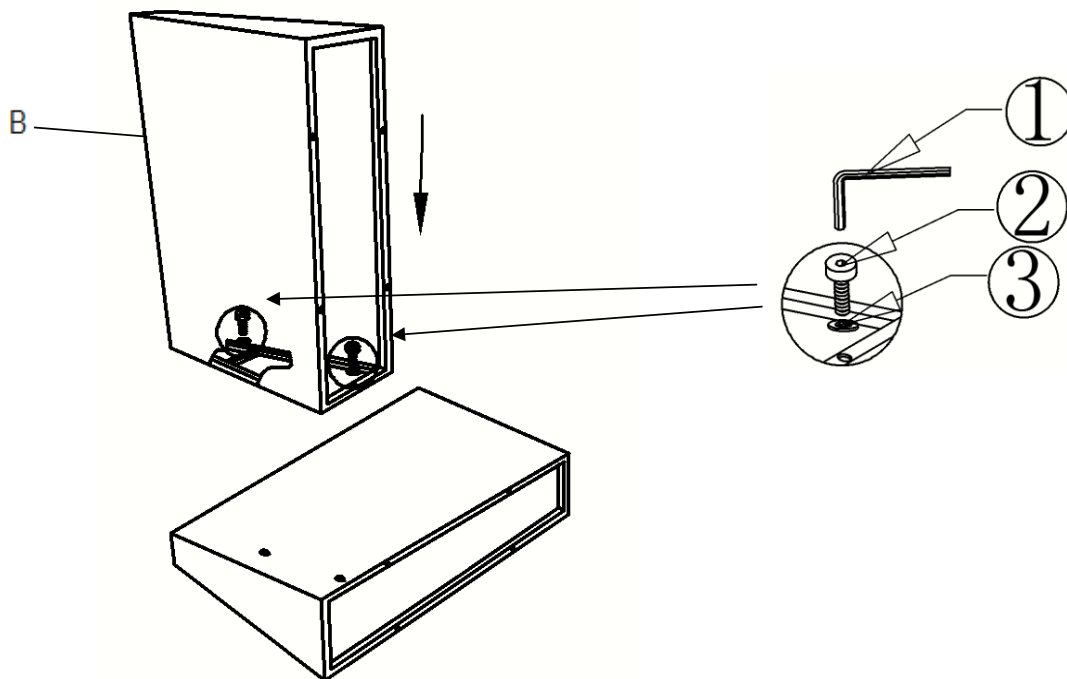
To give you an overview of the Corner Sofa parts, the above picture is to help you put the various parts into perspective. Please read through the instructions below to familiarise yourself with the parts and steps before assembly.

Step 1



Unpack and place Back Panel(A) on its side on a clean, non-marring surface.

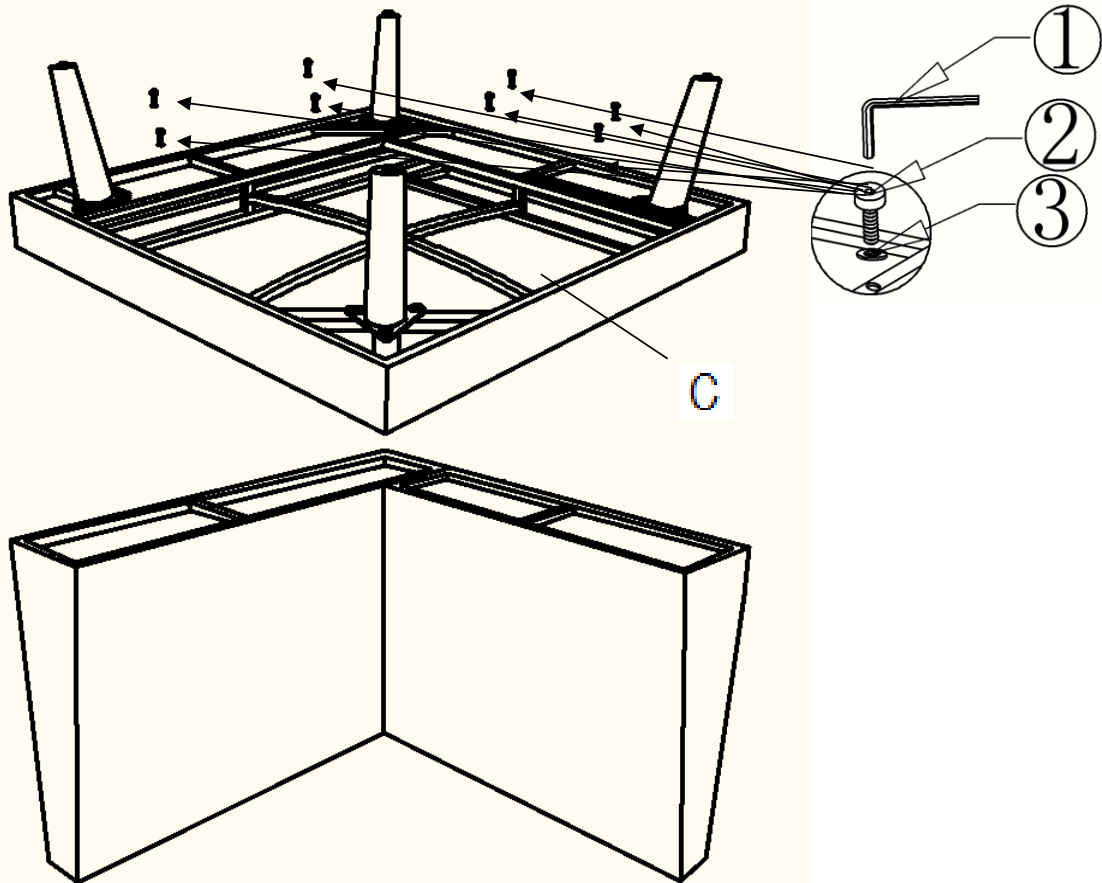
Step 2



Attach Small Back Panel(B) to Back Panel(A) using Bolts(2) and Washers(3) with Allen Key(1).

Do not fully tighten the Bolts.

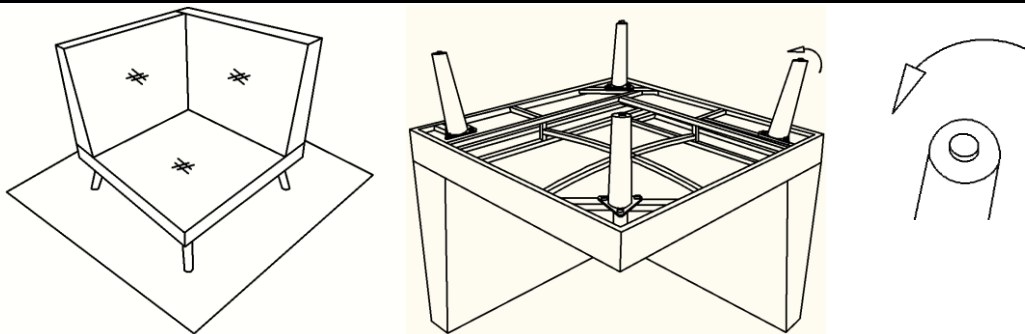
Step 3



Attach Seat Panel(C) to Back Panel(A) and Small Back Panel(B) using Bolts(②) and Washers(③) with Allen Key(①) as shown in the picture.

Now, proceed to tighten all Bolts at all joints in a sequential manner.

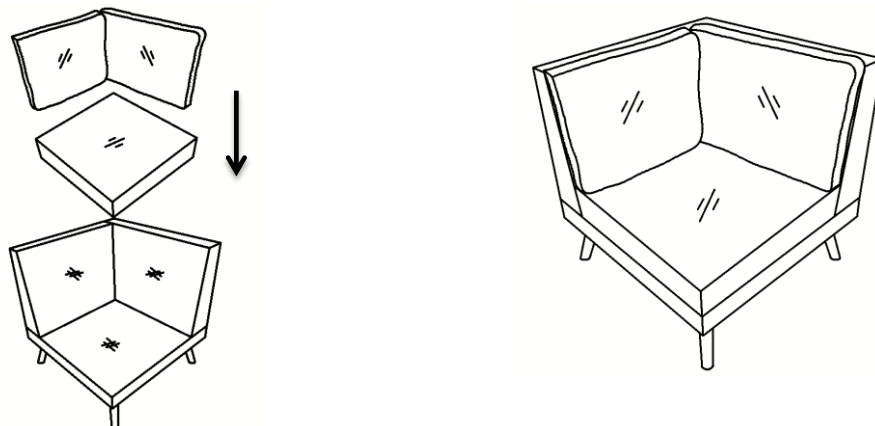
Step 4



Place the Sofa on a **LEVEL SURFACE** to check for wobbles.

If it wobbles, adjust the Legs Pre-installed Levellers until the Sofa is level with the ground.





















Step 5



Put the Cushion(D) , Back Cushion(E) and Small Back Cushion(F) onto the Sofa.
Your Corner Sofa is now ready for use.

This Corner Sofa can only be used on a flat, level surface.

Care & Maintenance

-   Do not put hot items directly on furniture surface
 -   Do not clean furniture with harsh cleansers or polish.
 -   To obtain the longest lifespan of your outdoor products, minimizing exposure to direct sunlight is recommended.
 -   Children should not climb or jump on the furniture.
 -   Do not write on furniture without a padded barrier to protect the surface.
 -   To obtain the longest lifespan of your outdoor products, avoid extended and lengthy exposure to rain, snow, and direct sunshine. Whenever possible cover the product and /or place under patio or awnings.
 -   Not for commercial use. For residential use only .
 -   Stains may be removed with mild soap solution and damp cloth.
 -   Keep away from sources of ignition.
-
-   Dust and pick-up spills using a clean, non-colored, lint-free cloth .

What is Proposition 65?

Proposition 65 is a California law that requires warning labels on products that may contain one of more than 800-plus chemicals or ingredients that the California Office of Environmental Health Hazard Assessment (OEHHA) has deemed to cause cancer or other reproductive toxicity. Chemicals and elements on this list include wood dust, brass, and other everyday substances, which can be found in very common household items, such as: lamps, tableware, jewelry, crystal glasses, electric cords, beauty products, automobiles, and furniture.

Why Did I Find a Proposition 65 Warning on My Home Goods Product?

We include Proposition 65 warnings on all of our products because there is always a chance that one of the 800-plus common chemicals and ingredients listed under this law could potentially be on our furniture or packing materials. We risk large fines under this law, if we don't include this warning.

Should I worry?

We realize you may be worried finding this warning on our products, but we want to reassure you that the hazardous exposure limits for any of these chemicals have never been found on furniture products that we've shipped to our customers. Additionally, this warning label is very common and can be found on almost every piece of furniture sold in the state of California.

Just How Common Are Proposition 65 Warnings?

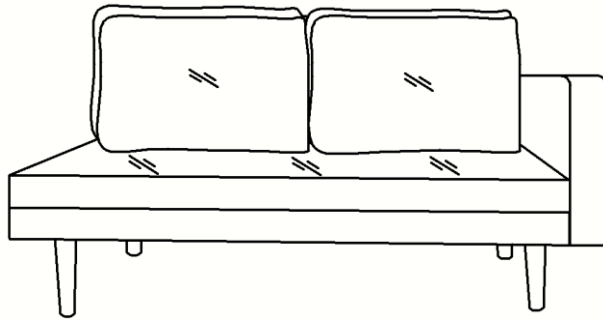
Proposition 65 warnings have become so common in California that it is hard to take a trip to a local bank, grocery store, or restaurant without finding at least one warning. In fact, even the Disney Land Resort has a Proposition 65 warning:



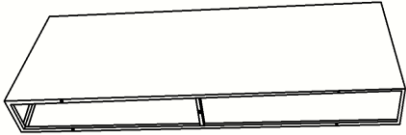
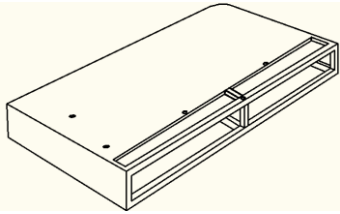
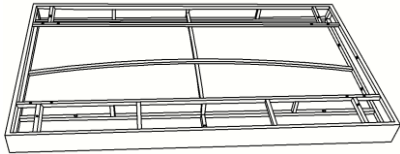
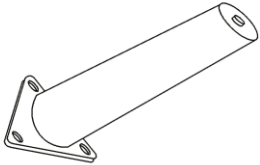
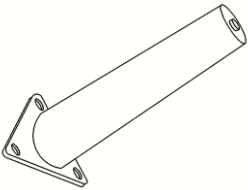

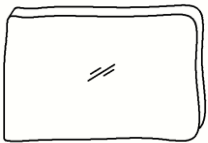
Assembly Instructions

Caution : You must read this before you proceed


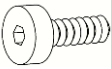
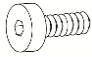

Left Sofa



Parts List

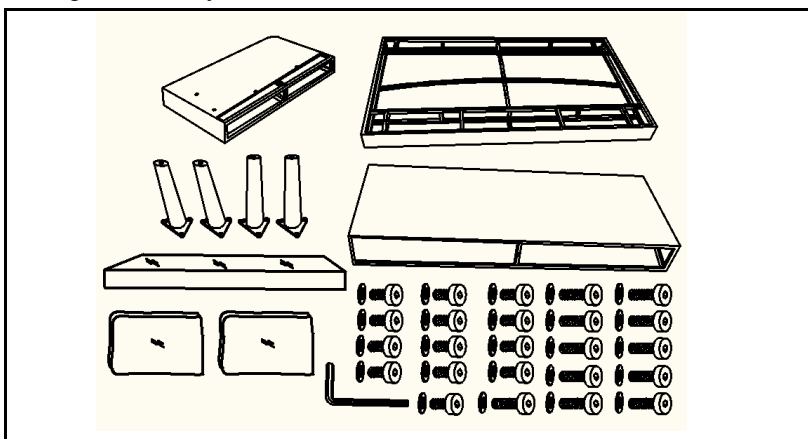
Label	Picture	Description	QTY
A		Backrest	1
B		Left Armrest	1
C		Seat Panel	1
D		Back Leg	2
E		Front Leg	2
F		Cushion	1
G		Back Cushion	2

Hardware

Label	Picture	Description	QTY
①		Allen Key	1
②		Bolt (M6*35)	11
③		Bolt (M6*16)	13
④		Washer	24

Assembly Preparation

Before Beginning Assembly:



- Read instructions, cover to cover-



- Have 2 adults on hand for assembly-



- Do not assemble on flooring or carpet-



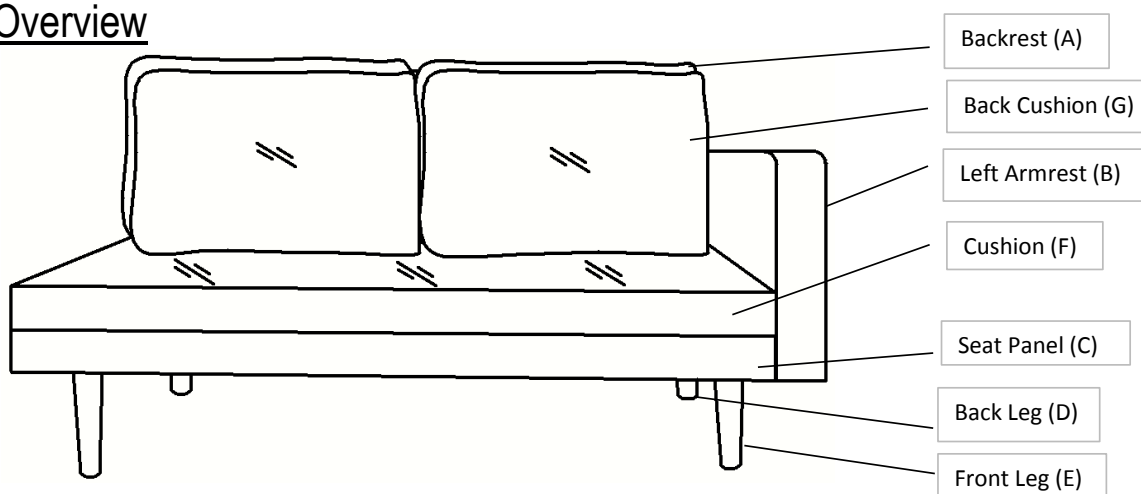
- Assemble on a clean non-marring surface (packing foam)-



- Save all packaging until finished-

Assembly Steps

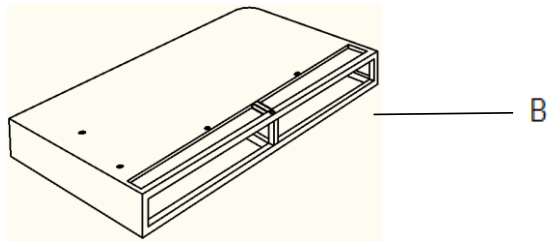
Overview



This Left Sofa has multiple parts and may require up to 30 minutes to assemble.

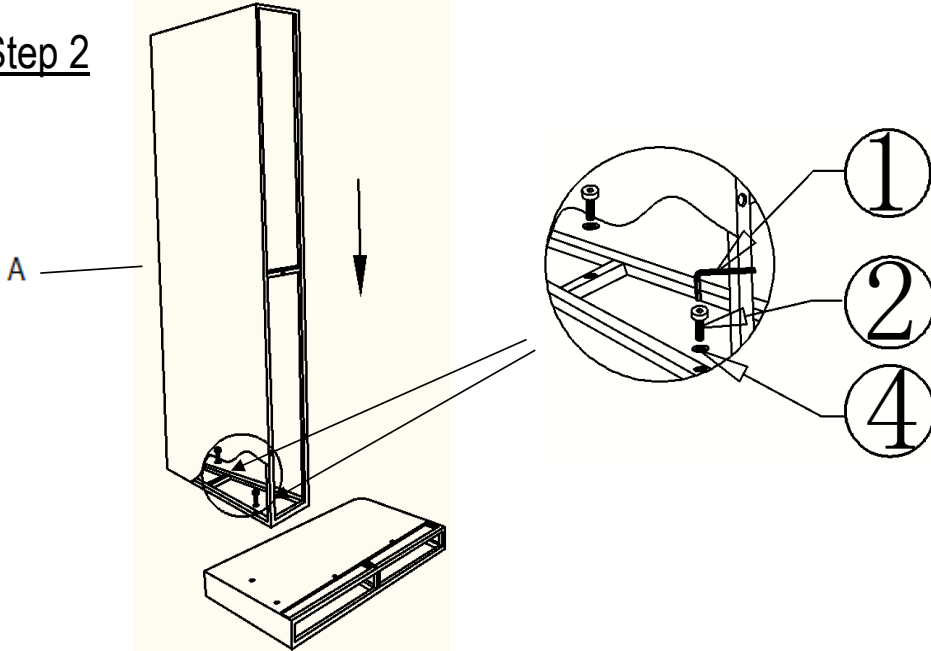
To give you an overview of the Left Sofa parts, the above picture is to help you put the various parts into perspective. Please read through the instructions below to familiarise yourself with the parts and steps before assembly.

Step 1



Unpack and place Left Armrest(B) on its side on a clean, non-marring surface.

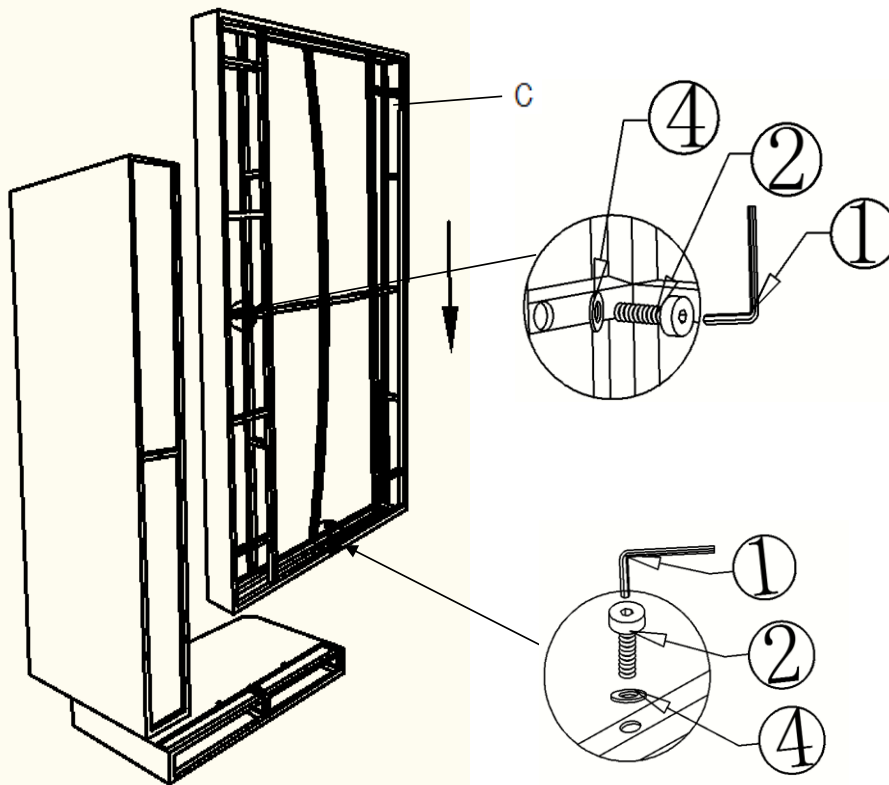
Step 2



Attach Backrest(A) to Left Armrest(B) using Bolts(②) and Washers(④) with Allen Key(①).

Do not fully tighten the Bolts.

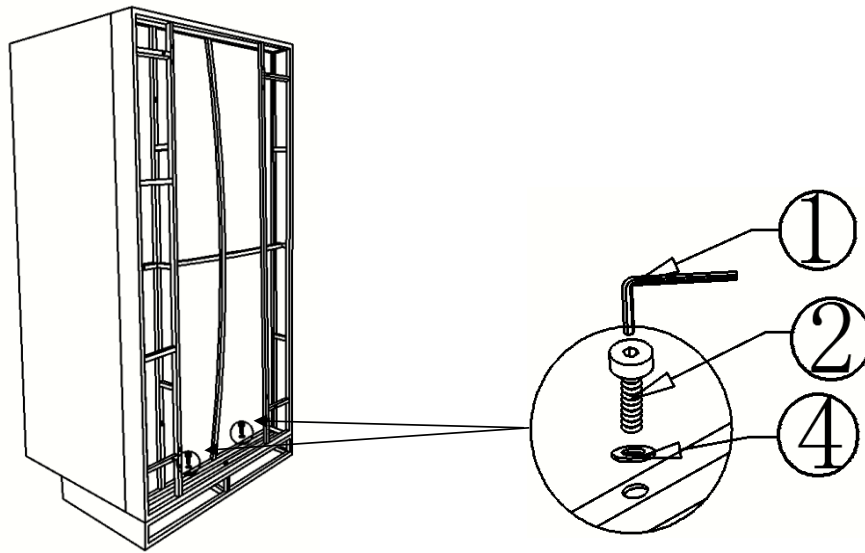
Step 3



Attach Seat Panel(C) to Backrest Panel(A) and Left Armrest(B) using Bolts(②) and Washers(④) with Allen Key(①) as shown in the picture.

Do not fully tighten the Bolts.

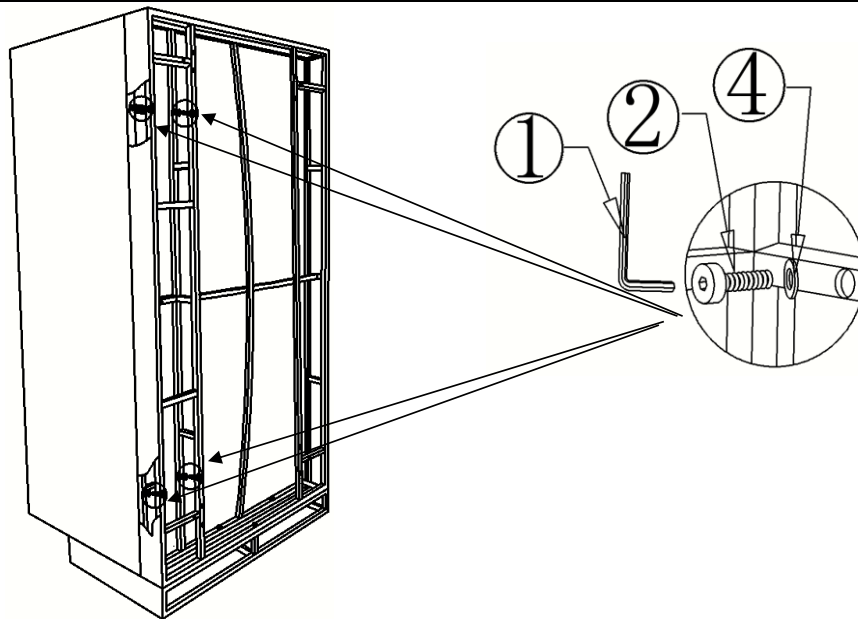
Step 4



Attach Seat Panel(C) to Left Armrest(B) using Bolts(2) and Washers(4) with Allen Key(1) as shown in the picture.

Do not fully tighten the Bolts.

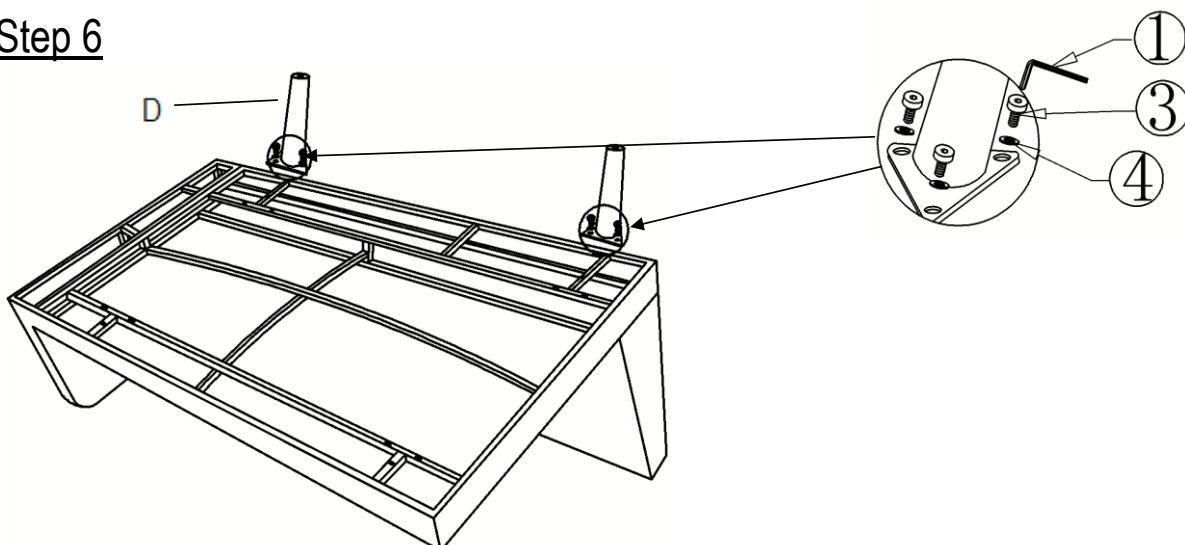
Step 5



Attach Seat Panel(C) to Backrest Panel(B) using Bolts(2) and Washers(4) with Allen Key(1) as shown in the picture.

Do not fully tighten the Bolts.

Step 6

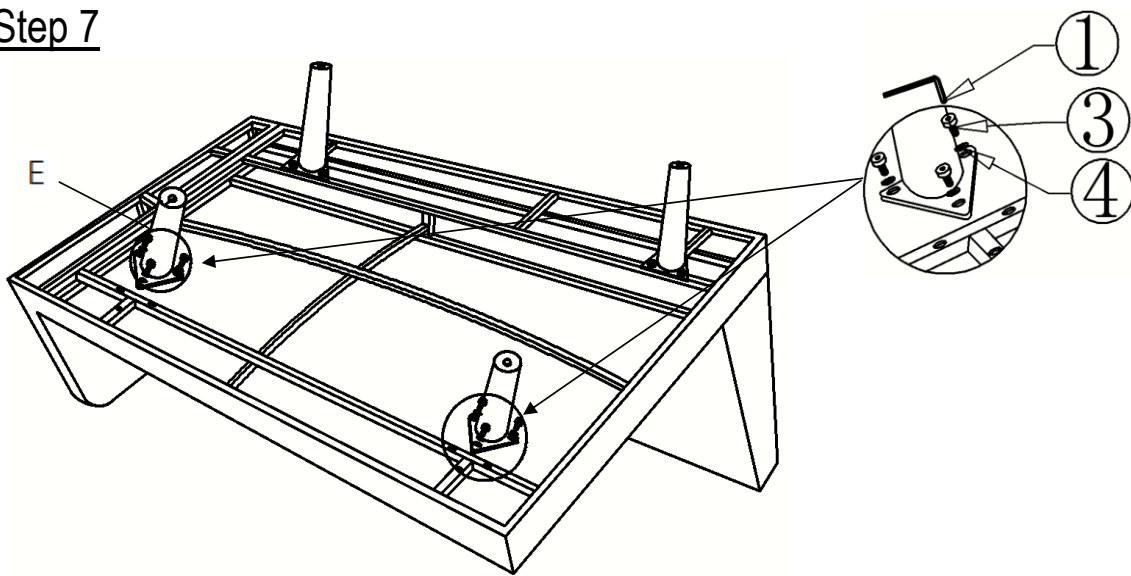


Align Back Legs(D) to mounting positions on the base of the Seat Panel(C).

Attach Back Legs(D) to Seat Panel(C) using Bolts(3) and Washers(4) with Allen Key(1) as shown in the picture.

Do not fully tighten the Bolts.

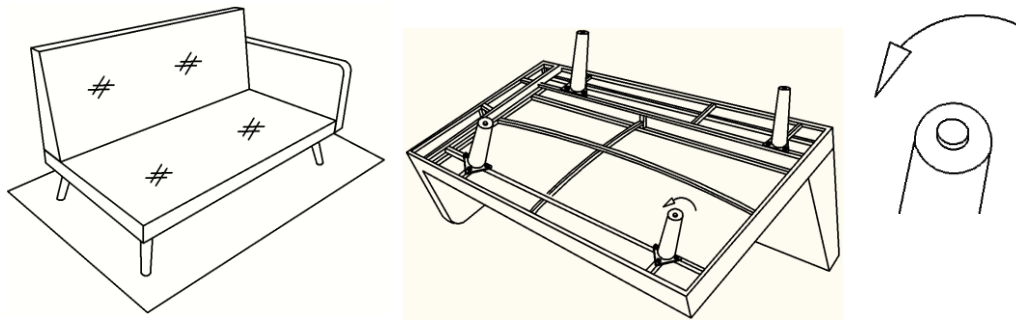
Step 7



Align Front Legs(E) to mounting positions on the base of the Seat Panel(C). Attach Front Legs(E) to Seat Panel(C) using Bolts(3) and Washers(4) with Allen Key(1) as shown in the picture.

Now, proceed to tighten all Bolts at all joints in a sequential manner.

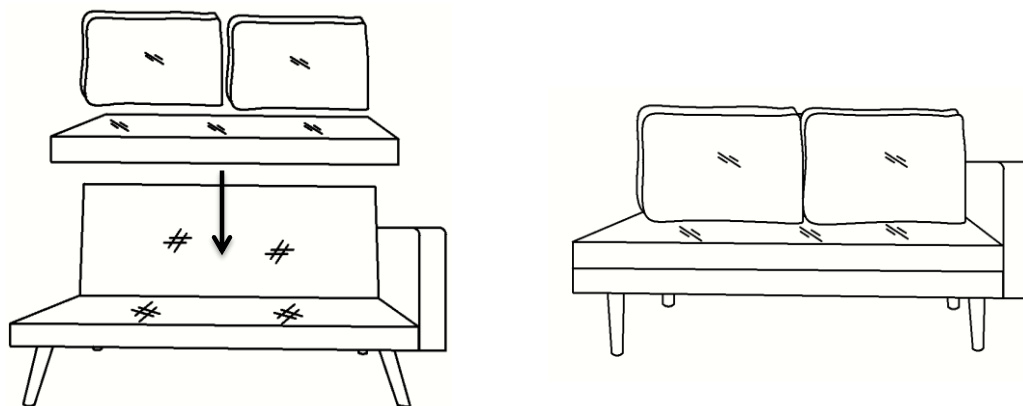
Step 8



Place the Sofa on a **LEVEL SURFACE** to check for wobbles.

If it wobbles, adjust the Legs Pre-installed Levellers until the Sofa is level with the ground.

Step 9























Put the Cushion(F) and Back Cushion(G) onto the Sofa.

Your Left Sofa is now ready for use.

This Left Sofa can only be used on a flat, level surface.

Care & Maintenance

-   Do not put hot items directly on furniture surface
 -   Do not clean furniture with harsh cleansers or polish.
 -   To obtain the longest lifespan of your outdoor products, minimizing exposure to direct sunlight is recommended.
 -   Children should not climb or jump on the furniture.
 -   Do not write on furniture without a padded barrier to protect the surface.
 -   To obtain the longest lifespan of your outdoor products, avoid extended and lengthy exposure to rain, snow, and direct sunshine. Whenever possible cover the product and /or place under patio or awnings.
 -   Not for commercial use. For residential use only .
 -   Stains may be removed with mild soap solution and damp cloth.
 -   Keep away from sources of ignition.
-
-   Dust and pick-up spills using a clean, non-colored, lint-free cloth .

What is Proposition 65?

Proposition 65 is a California law that requires warning labels on products that may contain one of more than 800-plus chemicals or ingredients that the California Office of Environmental Health Hazard Assessment (OEHHA) has deemed to cause cancer or other reproductive toxicity. Chemicals and elements on this list include wood dust, brass, and other everyday substances, which can be found in very common household items, such as: lamps, tableware, jewelry, crystal glasses, electric cords, beauty products, automobiles, and furniture.

Why Did I Find a Proposition 65 Warning on My Home Goods Product?

We include Proposition 65 warnings on all of our products because there is always a chance that one of the 800-plus common chemicals and ingredients listed under this law could potentially be on our furniture or packing materials. We risk large fines under this law, if we don't include this warning.

Should I worry?

We realize you may be worried finding this warning on our products, but we want to reassure you that the hazardous exposure limits for any of these chemicals have never been found on furniture products that we've shipped to our customers. Additionally, this warning label is very common and can be found on almost every piece of furniture sold in the state of California.

Just How Common Are Proposition 65 Warnings?

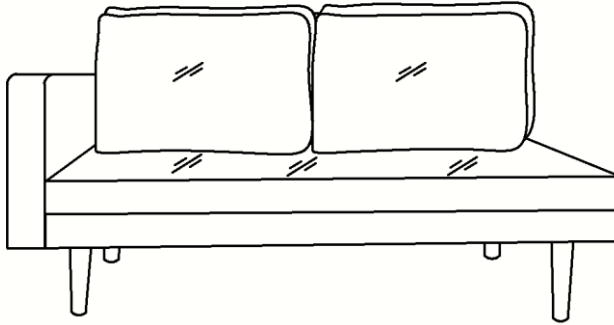
Proposition 65 warnings have become so common in California that it is hard to take a trip to a local bank, grocery store, or restaurant without finding at least one warning. In fact, even the Disney Land Resort has a Proposition 65 warning:



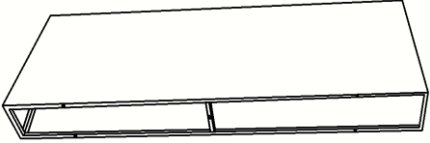
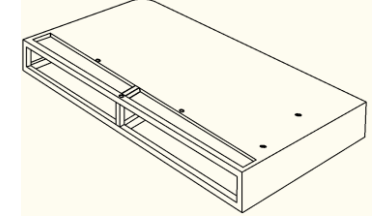
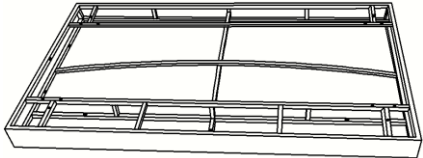
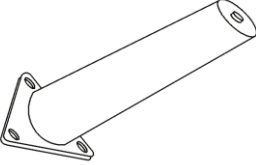
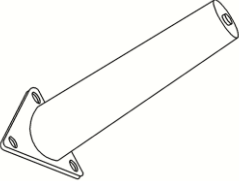
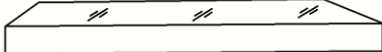

Assembly Instructions

Caution : You must read this before you proceed

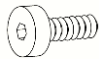

Right Sofa



Parts List

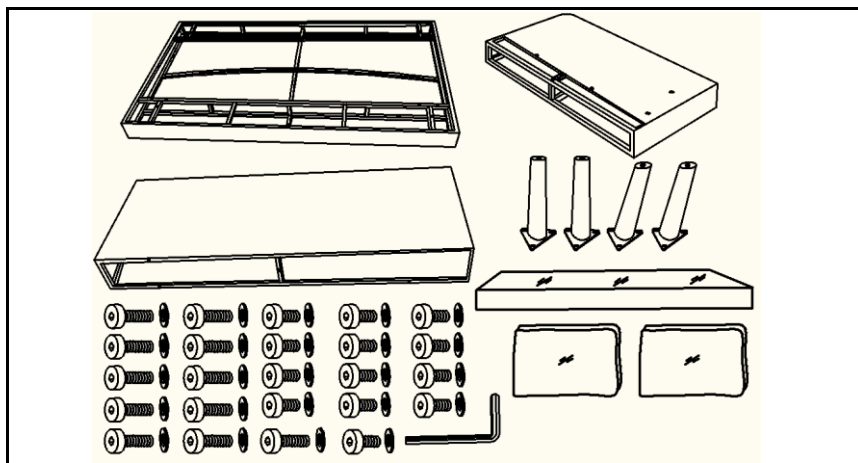
Label	Picture	Description	QTY
A		Backrest	1
B		Right Armrest	1
C		Seat Panel	1
D		Back Leg	2
E		Front Leg	2
F		Cushion	1
G		Back Cushion	2






Hardware

Label	Picture	Description	QTY
①		Allen Key	1
②		Bolt (M6*35)	11
③		Bolt (M6*16)	13
④		Washer	24

Assembly Preparation

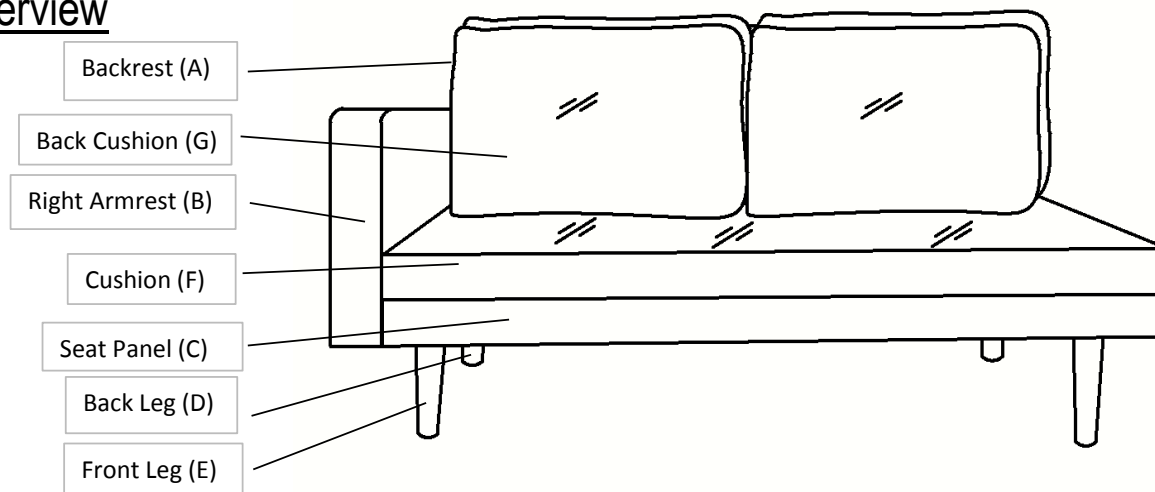
Before Beginning Assembly:



-  • Read instructions, cover to cover-
-  • Have 2 adults on hand for assembly-
-  • Do not assemble on flooring or carpet-
-  • Assemble on a clean non-marring surface (packing foam)-
-  • Save all packaging until finished-

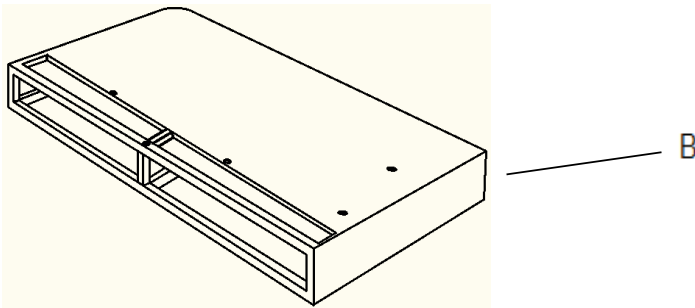
Assembly Steps

Overview



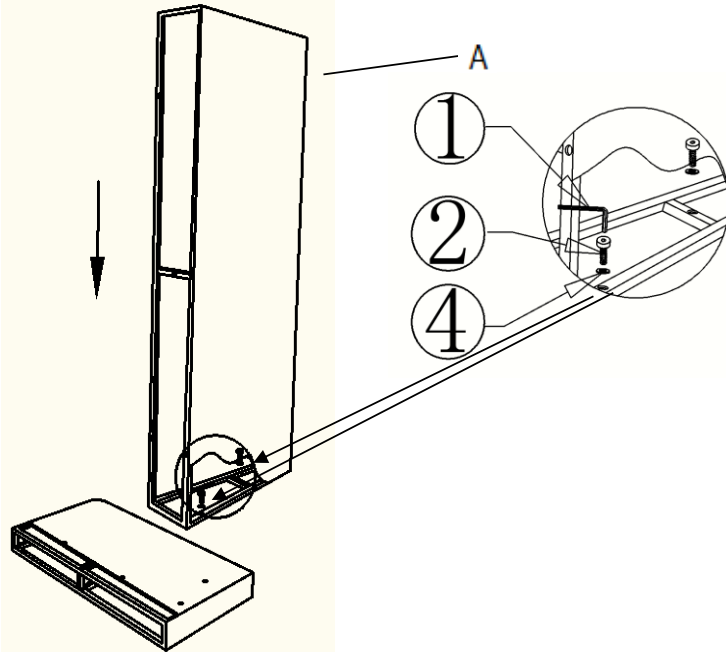
This Right Sofa has multiple parts and may require up to 30 minutes to assemble. To give you an overview of the Right Sofa parts, the above picture is to help you put the various parts into perspective. Please read through the instructions below to familiarise yourself with the parts and steps before assembly.

Step 1



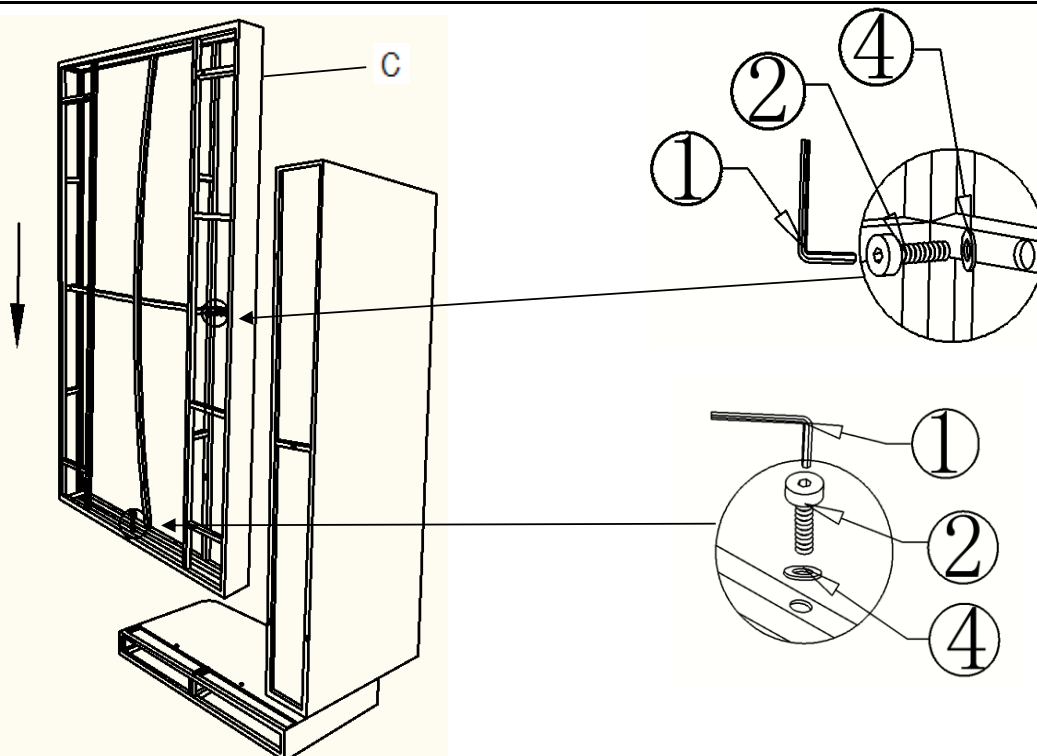
Unpack and place Right Armrest(B) on its side on a clean, non-marring surface.

Step 2



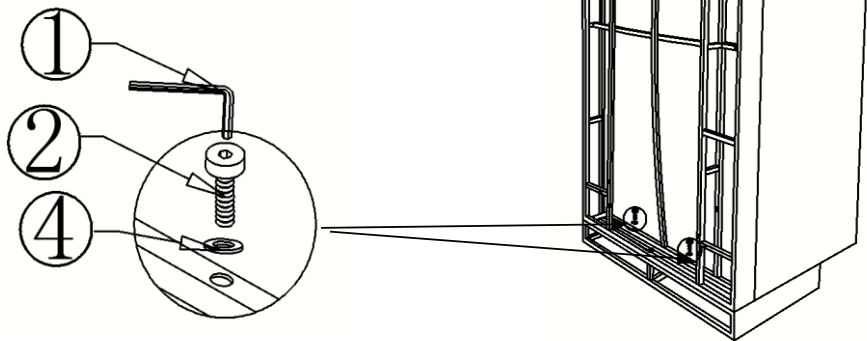
Attach Backrest(A) to Right Armrest(B) using Bolts(2) and Washers(4) with Allen Key(1).
Do not fully tighten the Bolts.

Step 3



Attach Seat Panel(C) to Backrest Panel(A) and Right Armrest(B) using Bolts(2) and Washers(4) with Allen Key(1) as shown in the picture.
Do not fully tighten the Bolts.

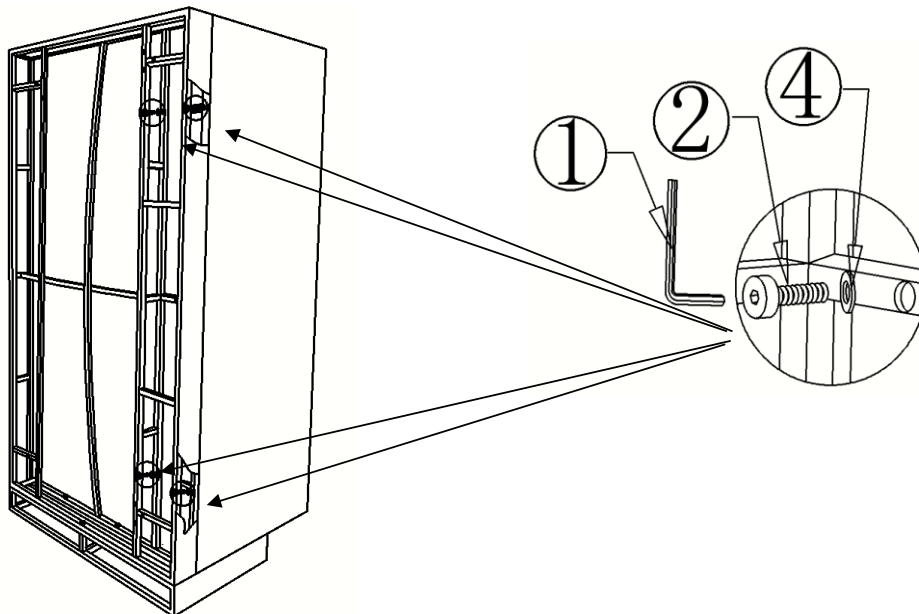
Step 4



Attach Seat Panel(C) to Right Armrest(B) using Bolts(2) and Washers(4) with Allen Key(1) as shown in the picture.

Do not fully tighten the Bolts.

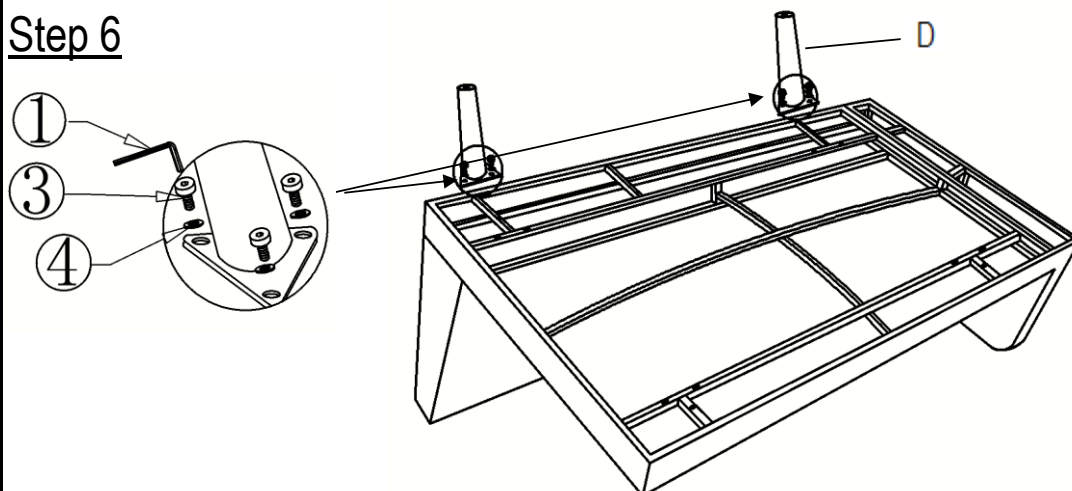
Step 5



Attach Seat Panel(C) to Backrest Panel(B) using Bolts(2) and Washers(4) with Allen Key(1) as shown in the picture.

Do not fully tighten the Bolts.

Step 6

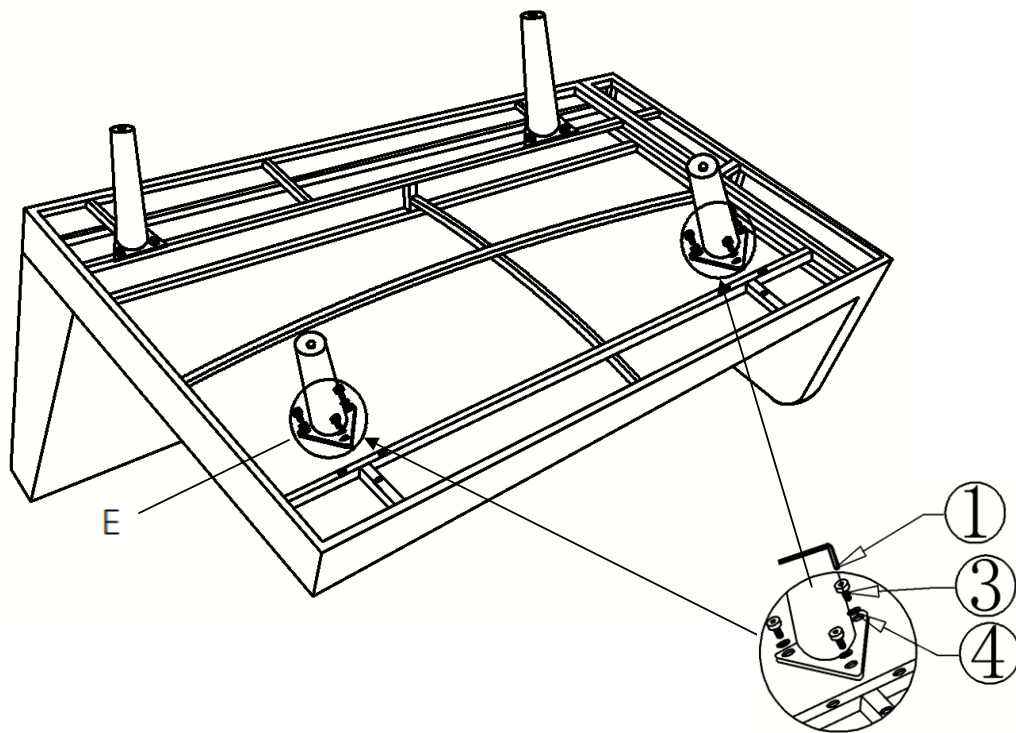


Align Back Legs(D) to mounting positions on the base of the Seat Panel(C).

Attach Back Legs(D) to Seat Panel(C) using Bolts(3) and Washers(4) with Allen Key(1) as shown in the picture.

Do not fully tighten the Bolts.

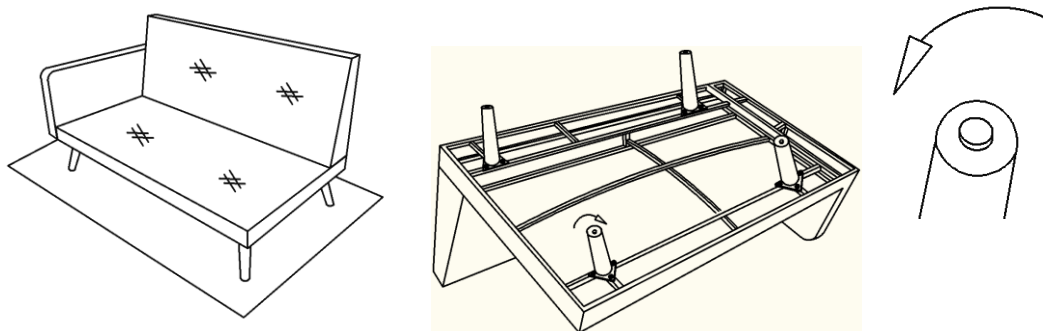
Step 7



Align Front Legs(E) to mounting positions on the base of the Seat Panel(C). Attach Front Legs(E) to Seat Panel(C) using Bolts(3) and Washers(4) with Allen Key(1) as shown in the picture.

Now, proceed to tighten all Bolts at all joints in a sequential manner.

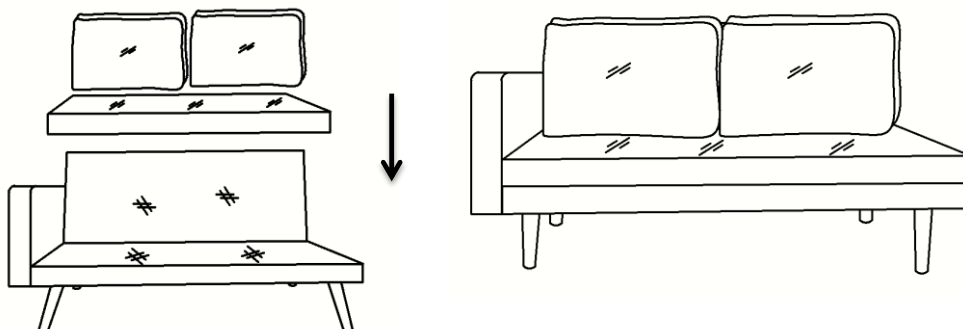
Step 8



Place the Sofa on a **LEVEL SURFACE** to check for wobbles.

If it wobbles, adjust the Legs Pre-installed Levellers until the Sofa is level with the ground.

Step 9























Put the Cushion(F) and Back Cushion(G) onto the Sofa.

Your Right Sofa is now ready for use.

This Right Sofa can only be used on a flat, level surface.

Care & Maintenance

-   • Do not put hot items directly on furniture surface
 -   • Do not clean furniture with harsh cleansers or polish.
 -   • To obtain the longest lifespan of your outdoor products, minimizing exposure to direct sunlight is recommended.
 -   • Children should not climb or jump on the furniture.
 -   • Do not write on furniture without a padded barrier to protect the surface.
 -   • To obtain the longest lifespan of your outdoor products, avoid extended and lengthy exposure to rain, snow, and direct sunshine. Whenever possible cover the product and /or place under patio or awnings.
 -   • Not for commercial use. For residential use only .
 -   • Stains may be removed with mild soap solution and damp cloth.
 -   • Keep away from sources of ignition.
-
-   • Dust and pick-up spills using a clean, non-colored, lint-free cloth .

What is Proposition 65?

Proposition 65 is a California law that requires warning labels on products that may contain one of more than 800-plus chemicals or ingredients that the California Office of Environmental Health Hazard Assessment (OEHHA) has deemed to cause cancer or other reproductive toxicity. Chemicals and elements on this list include wood dust, brass, and other everyday substances, which can be found in very common household items, such as: lamps, tableware, jewelry, crystal glasses, electric cords, beauty products, automobiles, and furniture.

Why Did I Find a Proposition 65 Warning on My Home Goods Product?

We include Proposition 65 warnings on all of our products because there is always a chance that one of the 800-plus common chemicals and ingredients listed under this law could potentially be on our furniture or packing materials. We risk large fines under this law, if we don't include this warning.

Should I worry?

We realize you may be worried finding this warning on our products, but we want to reassure you that the hazardous exposure limits for any of these chemicals have never been found on furniture products that we've shipped to our customers. Additionally, this warning label is very common and can be found on almost every piece of furniture sold in the state of California.

Just How Common Are Proposition 65 Warnings?

Proposition 65 warnings have become so common in California that it is hard to take a trip to a local bank, grocery store, or restaurant without finding at least one warning. In fact, even the Disney Land Resort has a Proposition 65 warning:

