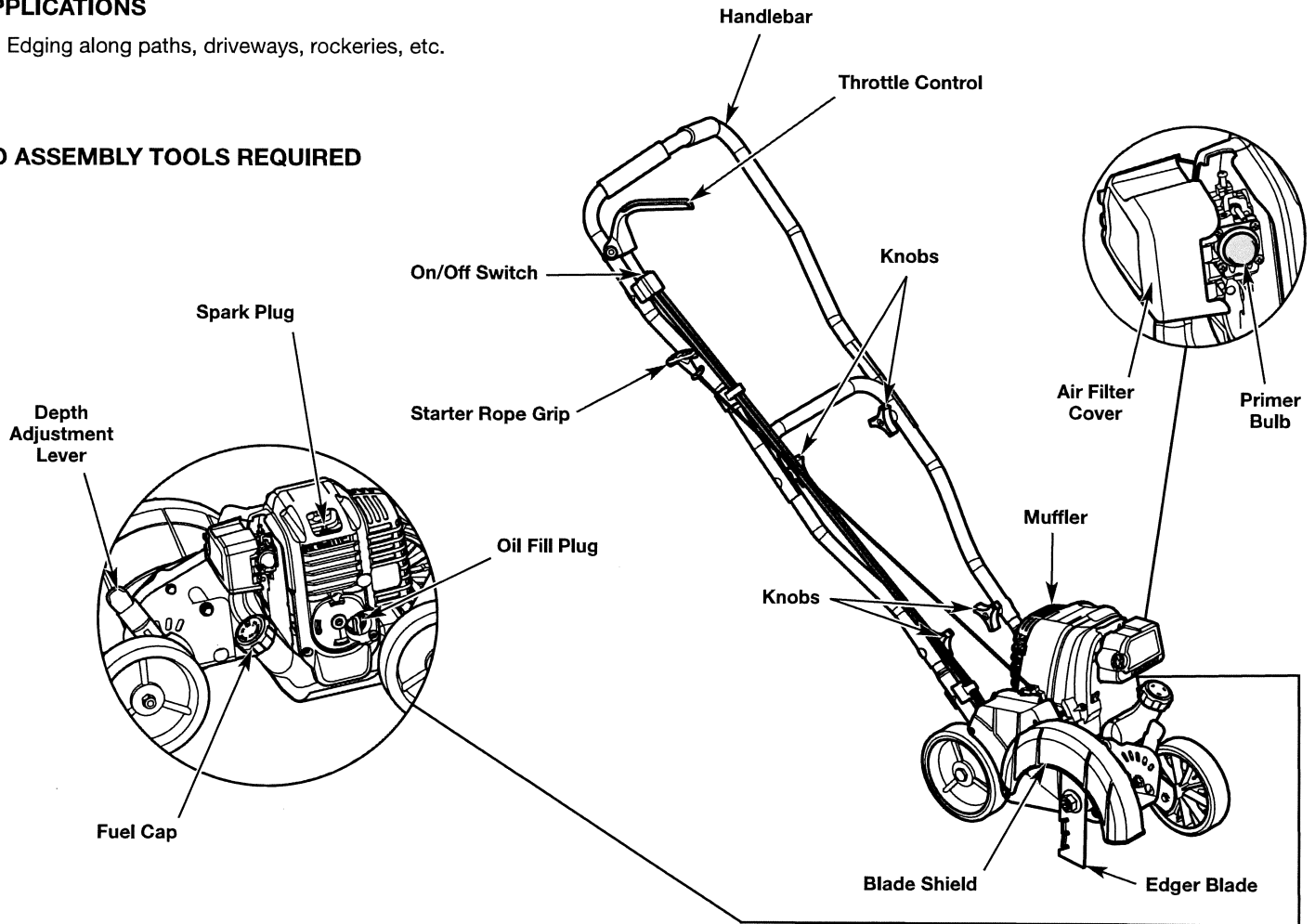


KNOW YOUR UNIT

APPLICATIONS

- Edging along paths, driveways, rockeries, etc.

NO ASSEMBLY TOOLS REQUIRED



SPECIFICATIONS*

Engine Type	Air-Cooled, 4-Cycle
Displacement.....	30 cc (1.83 cu. in.)
Spark Plug Gap.....	0.025 inch (0.635 mm)
Spark Plug	Champion® RDZ4H or equivalent plug
Lubrication	SAE 30 Oil
Crankcase Oil Capacity	3.04 oz. (90 ml)
Fuel Tank Capacity.....	15 oz. (444 ml)
Cutting Depth (maximum)	1.75 in. (4.5 cm)
Approximate Unit Weight (No fuel)	24 - 25 lbs. (10.9 - 11.3 kg)

* All specifications are based on the latest product information available at the time of printing. We reserve the right to make changes at any time without notice.