

CRYSTORAMA

LIGHTING THE WAY FOR SIXTY YEARS

ASSEMBLY INSTRUCTION MODEL #8011-PN

WARNING:

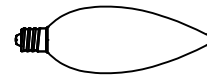


Electrical Danger



Turn Power Off

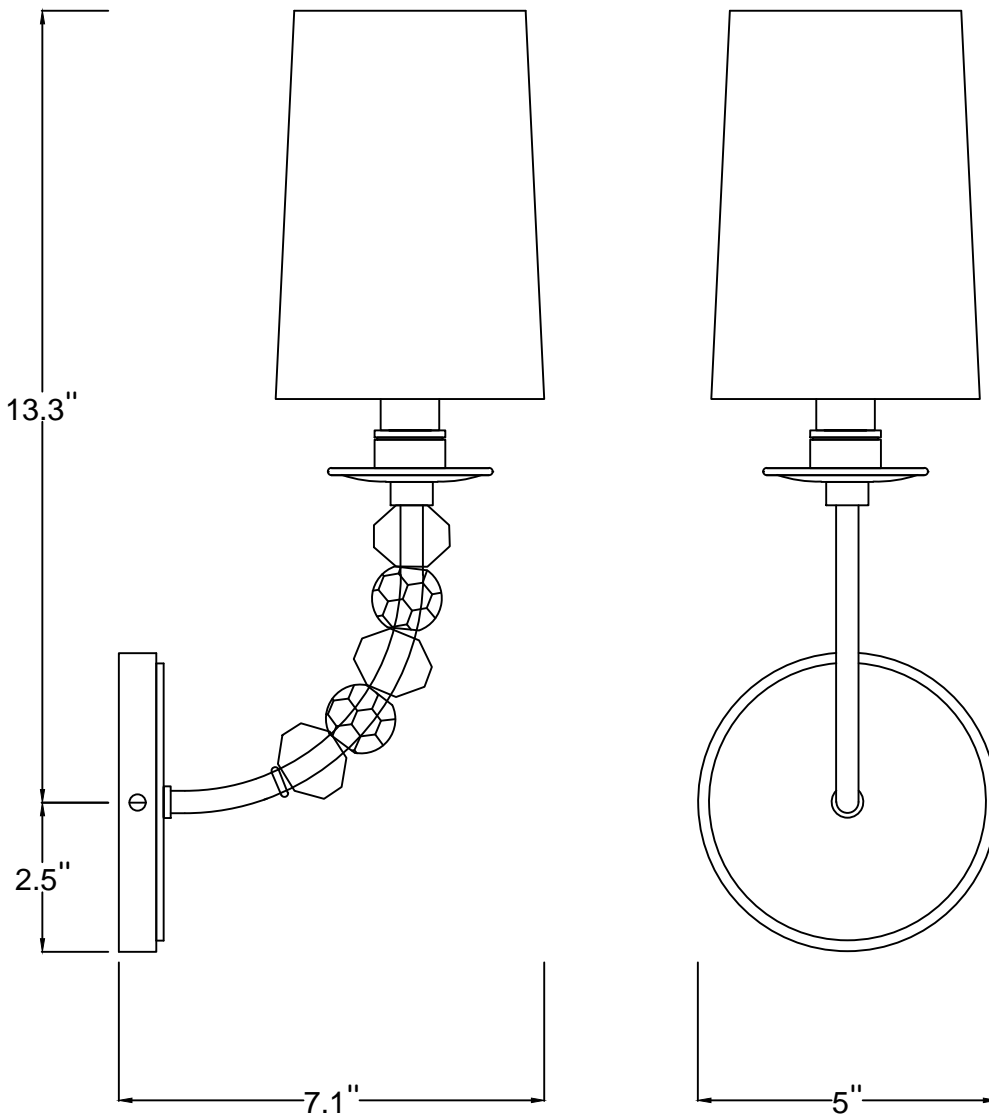
All electrical components must be installed by a licensed electrician in accordance with the National Electric Code and the appropriate local electrical codes.




You will need 1-Cand.BULB
40 watts Max Bulb not included
USE LED BULBS FOR EXTENDED USE

How to Install

1. Attach the fixture to the outlet box.
2. Put the shade over the socket.
3. Install the recommended bulb (not included).



 **WARNING:** This product can expose you to Lead, which is known to the State of California to cause cancer and/or birth defects or reproductive harm. For more information go to www.P65Warnings.ca.gov

CRYSTORAMA

LIGHTING THE WAY FOR SIXTY YEARS

PART NUMBER MODEL #8011-PN

Part Number

Part Numbers

A. Mounting Hardware

(1) Wire Nut

(1) Mounting Plate

(3) Outlet Box Screws

(3) Anchors

B. (1) Backplate; $\varnothing 5" \times 0.75" \text{h}$;
XMO8011PNBKP5IN

C. (1) Arm; $\varnothing 0.37"$

D. (5) Crystal; 5 in each arm

E. (1) Socket

F. (1) Fabric Shade; $\varnothing 3.9" \times \varnothing 4.5" \times 6.5" \text{h}$;
XMO8011PNSHA6.5IN

