



INeec011\_US

**862-053**



IMPORTANT, RETAIN FOR FUTURE REFERENCE: READ CAREFULLY

**ASSEMBLY & INSTRUCTION MANUAL**

# Garden Chairs

## **IMPORTANT, RETAIN FOR FUTURE REFERENCE: READ CAREFULLY**

**Only for domestic use**

### **Use tips:**

- \* Maximum Weight Capacity of Chair: 160 Kg
- \* Put the chair stably on a flat floor.
- \* Mount the garden chairs in the shelter of the weather.
- \* Stay away from open flames.
- \* Don't hang anything in the structure.
- \* Avoid the overload at the anchors/structure.
- \* It is advised that don't stay on the chairs when there is a storm.
- \* Do not use in adverse weather condition and cover furniture when not in use.

### **Precautions before assembly:**

- \* Prepare a clean and dry mounting area.
- \* Verify that the product is not damaged.
- \* Check that none of the pieces are missing.

### **Maintenance:**

- \* Clean with a soft fabric.
- \* Regularly remove leaves and / or water collected on the canvas.
- \* Check the chair regularly.

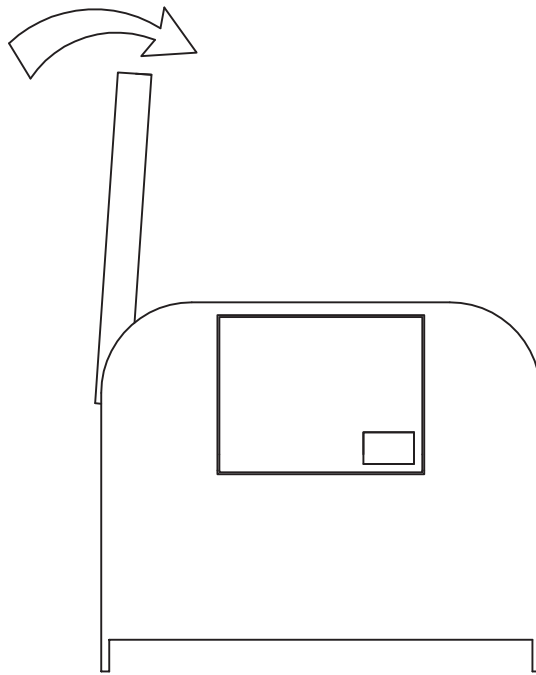
### **Storage conditions:**

\*The fabric should be stored completely dry, in a clean and dry place to avoid the risks of mold.

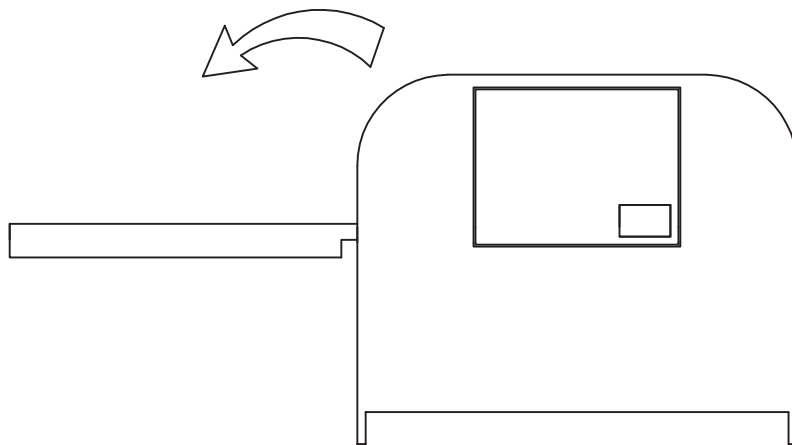
### **Caution with the risks of pinching or cuts during assembly.**

**The manufacturer declines all responsibility in case of damages due to a bad installation or due to weather.**

STEP 1: Put the backrest to this position.



STEP 2: Put down the backrest to the lowest level.



STEP 3: Push up and fix it on the gear you need.

