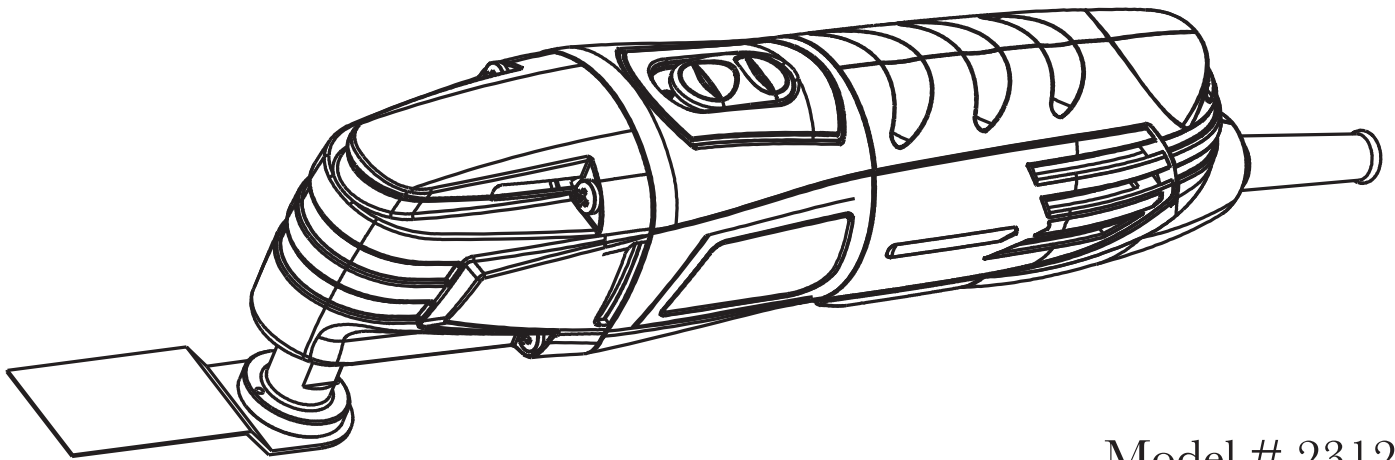




Variable Speed Oscillating Multi Tool




Model # 2312
bit.ly/wenvideo

IMPORTANT:

Your new tool has been engineered and manufactured to WEN's highest standards for easy operation, dependability and maximum user safety. When properly cared for, this product will supply rugged, trouble-free performance. Pay close attention to the rules for safe operation, warnings and cautions. If you use your tool properly and for its intended purpose, you will enjoy years of safe, reliable service.

NEED HELP? CONTACT US!

Have product questions? Need technical support?
Please feel free to contact us at:

 **800-232-1195** (M-F 8AM-5PM CST)

 techsupport@wenproducts.com

 WENPRODUCTS.COM



TABLE OF CONTENTS

Technical Data	2
General Safety Rules	3
Specific Safety Rules For the Multi Tool.....	4
Electrical Information	7
Know Your Multi Tool	8
Operating Instruction	8
Maintenance	9
Troubleshooting	10
Exploded View and Parts List	10
Warranty	12

TECHNICAL DATA

Model Number:	2312
Motor:	120 V, 60 Hz, 2.0 A
Speed:	10,000 to 20,000 OPM
Weight:	2.8 lbs

Includes:	Sanding Pad
	Sand Paper
	Cutter Blade
	Scraper
	Key Wrench
	Carrying Case

GENERAL SAFETY RULES

Safety is a combination of common sense, staying alert and knowing how your item works. **SAVE THESE SAFETY INSTRUCTIONS.**



WARNING: To avoid mistakes and serious injury, do not plug in your tool until the following steps have been read and understood.

1. **READ** and become familiar with this entire instruction manual. **LEARN** the tool's applications, limitations, and possible hazards.
2. **AVOID DANGEROUS CONDITIONS.** Do not use power tools in wet or damp areas or expose them to rain. Keep work areas well lit.
3. **DO NOT** use power tools in the presence of flammable liquids or gases.
4. **ALWAYS** keep your work area clean, uncluttered, and well lit. **DO NOT** work on floor surfaces that are slippery with sawdust or wax.
5. **KEEP BYSTANDERS AT A SAFE DISTANCE** from the work area, especially when the tool is operating. **NEVER** allow children or pets near the tool.
6. **DO NOT FORCE THE TOOL** to do a job for which it was not designed.
7. **DRESS FOR SAFETY.** Do not wear loose clothing, gloves, neckties, or jewelry (rings, watches, etc.) when operating the tool. Inappropriate clothing and items can get caught in moving parts and draw you in. **ALWAYS** wear non-slip footwear and tie back long hair.
8. **WEAR A FACE MASK OR DUST MASK** to fight the dust produced by sawing operations.



WARNING: Dust generated from certain materials can be hazardous to your health. Always operate the tool in a well-ventilated area and provide for proper dust removal. Use dust collection systems whenever possible.

9. **ALWAYS** remove the power cord plug from the electrical outlet when making adjustments, changing parts, cleaning, or working on the tool.
10. **KEEP GUARDS IN PLACE AND IN WORKING ORDER.**
11. **AVOID ACCIDENTAL START-UPS.** Make sure the power switch is in the OFF position before plugging in the power cord.
12. **REMOVE ADJUSTMENT TOOLS.** Always make sure all adjustment tools are removed from the saw before turning it on.
13. **NEVER LEAVE A RUNNING TOOL UNATTENDED.** Turn the power switch to OFF. Do not leave the tool until it has come to a complete stop.
14. **NEVER STAND ON A TOOL.** Serious injury could result if the tool tips or is accidentally hit. **DO NOT** store anything above or near the tool.

GENERAL SAFETY RULES

15. **DO NOT OVERREACH.** Keep proper footing and balance at all times. Wear oil-resistant rubber-soled footwear. Keep the floor clear of oil, scrap, and other debris.
16. **MAINTAIN TOOLS PROPERLY. ALWAYS** keep tools clean and in good working order. Follow instructions for lubricating and changing accessories.
17. **CHECK FOR DAMAGED PARTS.** Check for alignment of moving parts, jamming, breakage, improper mounting, or any other conditions that may affect the tool's operation. Any part that is damaged should be properly repaired or replaced before use.
18. **MAKE THE WORKSHOP CHILDPROOF.** Use padlocks and master switches and **ALWAYS** remove starter keys.
19. **DO NOT** operate the tool if you are under the influence of drugs, alcohol, or medication that may affect your ability to properly use the tool.
20. **USE SAFETY GOGGLES AT ALL TIMES** that comply with ANSI Z87.1. Normal safety glasses only have impact resistant lenses and are not designed for safety. Wear a face or dust mask when working in a dusty environment. Use ear protection such as plugs or muffs during extended periods of operation.

SPECIFIC RULES FOR THE MULTI TOOL



WARNING: Do not operate this tool until it is completely assembled and installed according to the instructions.

1. Hold your power tool by the insulated gripping surfaces, especially when performing an operation where the accessory could contact hidden wiring.
2. Protect your lungs. Wear a face or dust mask during operation. Following this rule will reduce the risk of serious respiratory injury.
3. Protect your hearing. Wear hearing protection during extended periods of operation. Following this rule will reduce the risk of serious personal injury.
4. Inspect power cords periodically and repair them as needed at your nearest authorized service center. Constantly stay aware of cord location. Following this rule will reduce the risk of electric shock or fire.
5. Check damaged parts. Before further use of the tool, determine that it will operate properly and perform its intended function. Check for alignment, binding or breakage of moving parts or any other conditions that may affect its operation. A guard or other part that is damaged should be properly repaired or replaced by an authorized service center. Following this rule will reduce the risk of shock, fire, or serious injury.
6. Remove all nails from lumber before using this tool. Following this rule will reduce the risk of injury.
7. If the power cord is damaged, it must be replaced only by the manufacturer or by an authorized service center.

SPECIFIC RULES FOR THE MULTI TOOL

8. Save these instructions. Refer to them frequently and use them to instruct others who may use this product. If you loan someone this product, loan them these instructions also.
9. Do not use the sander to remove lead-based paints.
10. Maintain labels and nameplates on the power tool. These carry important safety information.
11. Avoid accidental injury. Keep hands and fingers safely away from the oscillating angled scraper, blades, sanding pad and sandpaper when operating the tool.
12. Avoid unintentional starting. Prepare to begin work before turning on the power tool.
13. Do not lay the power tool down until it has come to a complete stop. Moving parts can grab the surface and pull the tool out of your control.
14. When using a handheld power tool, maintain a firm grip on the tool with both hands to resist starting torque.
15. Do not leave the power tool unattended when it is plugged into an electrical outlet. Turn off the tool, and unplug it from its electrical outlet before leaving.
16. This product is not a toy. Keep it out of reach of children.
17. People with pacemakers should consult their physician(s) before use. Electromagnetic fields in close proximity to heart pacemaker could cause pacemaker interference or pacemaker failure. In addition, people with pacemakers should:
 - a. Avoid operating alone.
 - b. Do not use with power switch locked on.
 - c. Properly maintain and inspect to avoid electrical shock.
 - d. Any power cord must be properly grounded. Ground Fault Circuit Interrupter (GFCI) should also be implemented to prevent sustained electrical shock.
18. Some dust created by power sanding, sawing, grinding, drilling, and other construction activities, contains chemicals known to cause cancer, birth defects or other reproductive harm. Some examples of these chemicals are:
 - a. Lead from lead-based paints
 - b. Crystalline silica from bricks and cement or other masonry products
 - c. Arsenic and chromium from chemically treated lumberYour risk from these exposures varies, depending on how often you do this type of work. To reduce your exposure to these chemicals: work in a well ventilated area, and work with approved safety equipment, such as those dust masks that are specially designed to filter out microscopic particles.
19. Handling the power cord on this product will expose you to lead, a chemical known to cause cancer, and birth defects or other reproductive harm. Wash hands after handling.
20. The warnings, precautions, and instructions discussed in this instruction manual cannot cover all possible conditions and situations that may occur. It must be understood by the operator that common sense and caution are factors which cannot be built into this product, but must be supplied by the operator.

SPECIFIC RULES FOR THE MULTI TOOL



WARNING: This product and the dust created by power sanding, sawing, grinding, drilling, and other construction activities may contain chemicals, including lead, known to the State of California to cause cancer, birth defects, or other reproductive harm. Wash hands after handling.

Some examples of these chemicals are:

- lead from lead-based paints
- crystalline silica from bricks and cement and other masonry products
- arsenic and chromium from chemically treated lumber.

Your risk from exposure to these chemicals varies, depending on how often you do this type of work. To reduce your exposure, work in a well-ventilated area and with approved safety equipment, such as dust masks that are specially designed to filter out microscopic particles.

VIBRATION SAFETY

This tool vibrates during use. Repeated or long-term exposure to vibration may cause temporary or permanent physical injury, particularly to the hands, arms and shoulders.

To reduce the risk of any vibration-related injury:

1. First be examined by a doctor and then have regular medical check-ups to ensure medical problems are not being caused or worsened from use. Pregnant women or people who have impaired blood circulation to the hand, past hand injuries, nervous system disorders, diabetes, or Raynaud's Disease should not use this tool. If you feel any symptoms related to vibration (such as tingling, numbness, and white or blue fingers), seek medical advice as soon as possible.
2. Do not smoke during use. Nicotine reduces the blood supply to the hands and fingers, increasing the risk of vibration-related injury.
3. Wear suitable gloves to reduce the vibration effects on the user.
4. Use tools with the lowest vibration when there is a choice.
5. Take vibration-free breaks during each day of work.
6. Grip tool as lightly as possible (while still keeping safe control of it). Let the tool do the work.
7. To reduce vibration, maintain the tool as explained in this manual. If any abnormal vibration occurs, stop use immediately.

ELECTRICAL INFORMATION

DOUBLE INSULATION

Double insulation is a concept in safety in electric power tools, which eliminates the need for the usual three-wire grounded power cord. All exposed metal parts are isolated from the internal metal motor components with protecting insulation. Double insulated tools do not need to be grounded.

WARNING: The double insulated system is intended to protect the user from shock resulting from a break in the tool's internal insulation. Observe all normal safety precautions to avoid electrical shock.

NOTE: Servicing of a product with double insulation requires extreme care and knowledge of the system and should be performed only by a qualified service technician. For service, we suggest you return the product to your nearest authorized service center for repair. Always use original factory replacement parts when servicing.

ELECTRICAL CONNECTION

This product has a precision-built electric motor. It should be connected to a power supply that is 120 volts, AC only (normal household current), 60 Hz. Do not operate this product on direct current (DC). A substantial voltage drop will cause a loss of power and the motor will overheat. If the product does not operate when plugged into an outlet, double-check the power supply.



WARNING: This tool is for indoor use only. Do not expose to rain or use in damp locations.

GUIDELINES FOR USING EXTENSION CORDS

Make sure your extension cord is in good condition. When using an extension cord, be sure to use one heavy enough to carry the current your product will draw. An undersized cord will cause a drop in line voltage resulting in loss of power and overheating. The table below shows the correct size to be used according to cord length and nameplate ampere rating. When in doubt, use a heavier cord. The smaller the gauge number, the heavier the cord.

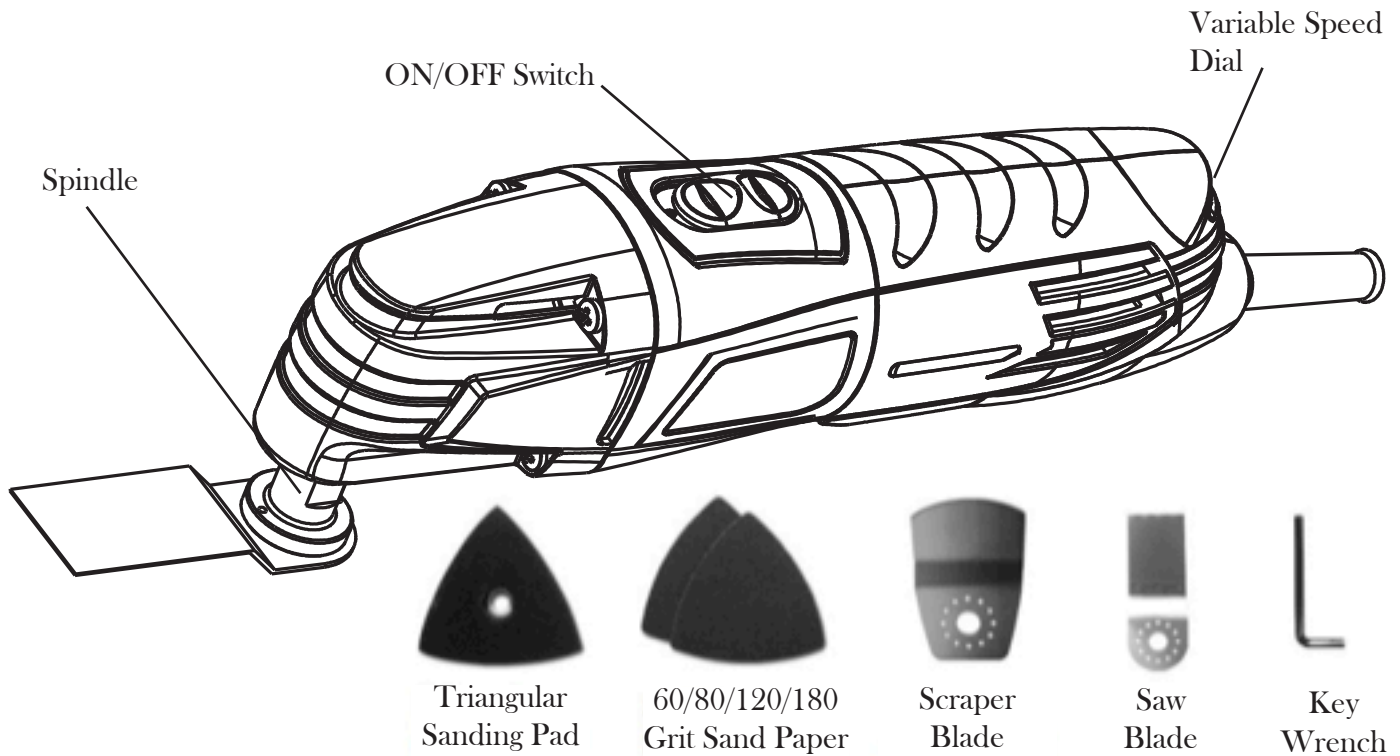
AMPERAGE	REQUIRED GAUGE FOR EXTENSION CORDS			
	25 ft.	50 ft.	100 ft.	150 ft.
2 A	18 gauge	16 gauge	16 gauge	14 gauge

Make sure your extension cord is properly wired and in good condition. Always replace a damaged extension cord or have it repaired by a qualified person before using it.

Protect your extension cords from sharp objects, excessive heat and damp/wet areas.

Use a separate electrical circuit for your tools. This circuit must not be less than a #12 wire and should be protected with a 15 A time-delayed fuse. Before connecting the motor to the power line, make sure the switch is in the OFF position and the electric current is rated the same as the current stamped on the motor nameplate. Running at a lower voltage will damage the motor.

KNOW YOUR SANDER



OPERATING INSTRUCTIONS

Warning: To Prevent Serious Injury From Accidental Operation:

Turn the power switch of the tool to its “OFF” position and unplug the tool from its electrical outlet before making any adjustments to the tool.

Note: For additional information regarding the parts listed in the following pages, refer to the Exploded View and Parts List near the end of this manual.

Place attachment facing forward over spindle shoulder. Insert the cap screw into the outside flange. Tighten the cap screw using the provided key wrench. Torque firmly (approximately 100 in-lbs) (Figure 1).

Note: Some units may have small holes in the attachments and/or pins on the spindle shoulder. These are not used or required for this model.

WORK PIECE AND WORK AREA SET-UP

1. Designate a work area that is clean and well-lit. The work area must not allow access by children or pets to prevent injury and distraction.
2. Route the power cord along a safe route to reach the work area without creating a tripping hazard or exposing the power cord to possible damage. The power cord must reach the work area with enough extra length to allow free movement while working.
3. Secure loose work pieces using a vise or clamps (not included) to prevent movement while working.

OPERATING INSTRUCTIONS

GENERAL OPERATING INSTRUCTIONS

1. This tool works by oscillating rapidly. You should not force or over-exert the tool. Allow the tool to cut or do its job in order to get the best possible performance.

2. Attachments may be mounted at angles up to 90° left or right. The attachment should not turn on the spindle. If it does, make sure that the cap screw is tight. Note: The long saw blade should only be used in the straight ahead position (Figure 2).

3. Retract the power switch to its off position. Connect the tool into the nearest 120 volt, grounded electrical outlet.

4. To turn on the tool, slide the Power Switch forward.

5. Adjust the speed of the tool using the speed dial. There are six speed divisions from 1 (slowest) to 6 (fastest).

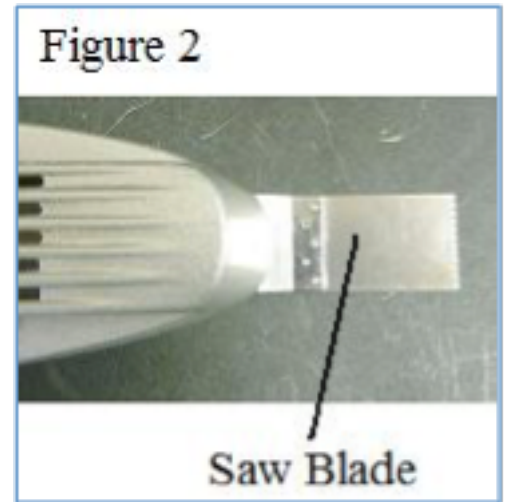
6. Do not allow contact between the accessory attachment and the work piece until the tool is running at full speed.

7. Avoid contact with foreign objects such as metal screws and nails when sanding, scraping, or cutting.

8. Do not apply excessive pressure on the tool.

9. When finished, turn off the tool and allow it to completely stop before setting it down. Then unplug the tool from its electrical outlet.

10. To replace the sanding paper, simply pull it off the pad. Prior to storing the tool, remove the attachment and wipe it clean. Store the tool in a clean, dry, safe location out of reach of children and other unauthorized persons.



MAINTENANCE



TO PREVENT SERIOUS INJURY FROM ACCIDENTAL OPERATION:

Make sure that the trigger is in the “O” off-position and unplug the tool from its electrical outlet before performing any procedure in this section. Do not use damaged equipment. If abnormal noise or vibration occurs, have the problem corrected before further use.

To prevent serious injury from tool failure:

1. Inspect the general condition of the tool before using. Check for loose screws, misalignment or binding of moving parts, cracks, damaged electrical wiring, etc. The sanding paper should not be dull or contain excessive debris build-up. The scraper blade and saw blade should be clean and sharp.

2. After use, clean external surfaces of the tool and the attachments with a clean cloth.



WARNING! If the supply cord of this power tool is damaged, it must be replaced only by a qualified service technician.

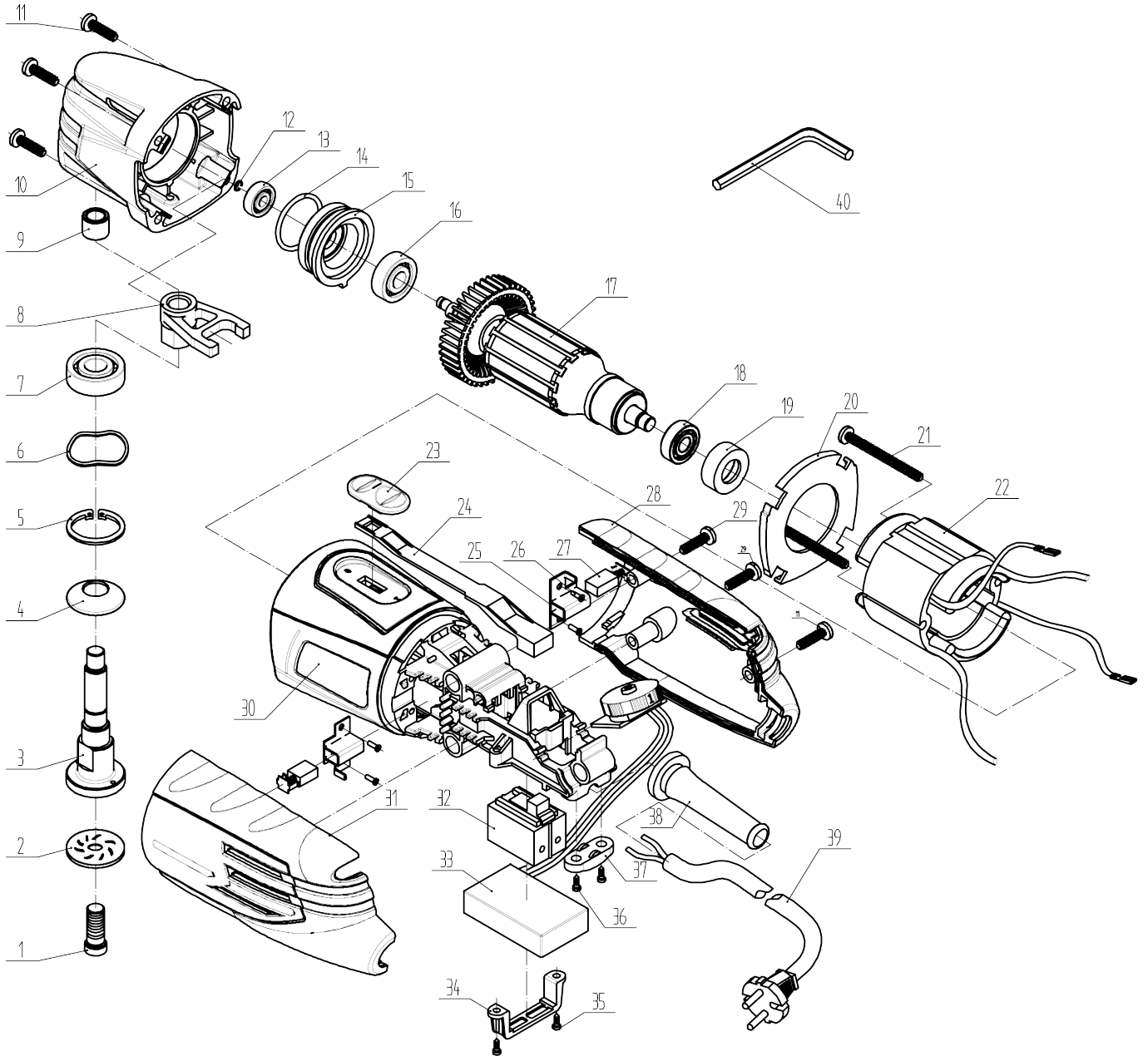
TROUBLESHOOTING

Problem	Causes	Solutions
Tool will not start.	Power cord not connected. No power at outlet. Internal damaged or wear. (carbon brush or switch)	Check that power cord is plugged in. Check power at outlet. If outlet is unpowered, turn off tool and check circuit breaker. Have technician service tool.
Attachment is loose on the tool.	Holes on attachment not in line with pins on spindle. Screw (Part# 1) not tight enough.	Remove the attachment and remount, making sure that the holes in the attachment are secured over the pins on the spindle. Tighten this screw to at least 100 inch-lbs.
Tool operates slowly.	Extension cord too long or wire size too small.	Eliminate the use of the extension cord. If an extension cord is needed, use shorter/heavier gauge cord. See ELECTRICAL INFORMATION section.
Performance decreases over time.	Attachment dull or damaged. Carbon brushes worn or damaged.	Keep cutting accessories sharp. Replace as needed. Have technician replace brushes.
Excessive noise or rattling.	Internal damage or wear.	Have technical service tool.
Overheating	Forcing tool to do a job. Attachment dull or damaged. Blocked motor housing vents.	Allow tool to work at its own rate. Keep cutting accessories sharp. Replace as needed. Blow dust out of motor using compressed air.

EXPLODED VIEW AND PARTS LIST

NO.	Name	Amount	NO.	Name	Amount
1	screw	1	21	screw ST4.4X50	2
2	clamp	1	22	stator	1
3	output shaft	1	23	switch knob	1
4	dust ring	1	24	pull rod	1
5	check ring	1	25	brush holder	2
6	wave washer	1	26	Rivet	4
7	bearing 60100	1	27	brush	2
8	swing preset	1	28	right rear cover	1
9	axle preset	1	29	screw ST4.2X30	2
10	gear box	1	30	stator housing	1
11	screw ST4.2X25	5	31	left rear cover	1
12	check ring	1	32	switch	1
13	bearing 625R8	1	33	speed control	1
14	"o"ring	1	34	speed control clump	1
15	bearing base	1	35	screw ST4.2X8F	2
16	bearing 608	1	36	screw ST4.2X12F	2
17	Armature	1	37	Cord anchorage	1
18	bearing 607	1	38	cable jacket	1
19	bearing cover	1	39	cable plug	1
20	wind baffle	1	40	hex key	1

EXPLODED VIEW AND PARTS LIST



LIMITED TWO YEAR WARRANTY

WEN Products is committed to building tools that are dependable for years. Our warranties are consistent with this commitment and our dedication to quality.

LIMITED WARRANTY OF WEN CONSUMER POWER TOOLS PRODUCTS FOR HOME USE

GREAT LAKES TECHNOLOGIES, LLC (“Seller”) warrants to the original purchaser only, that all WEN consumer power tools will be free from defects in material or workmanship for a period of TWO (2) years from date of purchase. Ninety days for all WEN products, if the tool is used for professional use.

SELLER’S SOLE OBLIGATION AND YOUR EXCLUSIVE REMEDY under this Limited Warranty and, to the extent permitted by law, any warranty or condition implied by law, shall be the repair or replacement of parts, without charge, which are defective in material or workmanship and which have not been misused, carelessly handled, or misrepaired by persons other than Seller or Authorized Service Center. To make a claim under this Limited Warranty, you must return the complete power tool product; transportation prepaid, to Great Lakes Technologies, LLC - 1675 Holmes Road - Elgin, IL. 60123 with a copy of the original receipt which is legible and clearly defines Date of Purchase including month and year and Place of Purchase.

THIS LIMITED WARRANTY DOES NOT APPLY TO ACCESSORY ITEMS SUCH AS CIRCULAR SAW BLADES, DRILL BITS, ROUTER BITS, JIGSAW BLADES, SANDING BELTS, GRINDING WHEELS, CARBON BRUSHES AND OTHER RELATED ITEMS.

ANY IMPLIED WARRANTIES SHALL BE LIMITED IN DURATION TO TWO (2) YEARS FROM DATE OF PURCHASE. SOME STATES IN THE U.S., SOME CANADIAN PROVINCES DO NOT ALLOW LIMITATIONS ON HOW LONG AN IMPLIED WARRANTY LASTS, SO THE ABOVE LIMITATION MAY NOT APPLY TO YOU.

IN NO EVENT SHALL SELLER BE LIABLE FOR ANY INCIDENTAL OR CONSEQUENTIAL DAMAGES (INCLUDING BUT NOT LIMITED TO LIABILITY FOR LOSS OF PROFITS) ARISING FROM THE SALE OR USE OF THIS PRODUCT. SOME STATES IN THE U.S. AND SOME CANADIAN PROVINCES DO NOT ALLOW THE EXCLUSION OR LIMITATION OF INCIDENTAL OR CONSEQUENTIAL DAMAGES, SO THE ABOVE LIMITATION OR EXCLUSION MAY NOT APPLY TO YOU.

THIS LIMITED WARRANTY GIVES YOU SPECIFIC LEGAL RIGHTS, AND YOU MAY ALSO HAVE OTHER RIGHTS WHICH VARY FROM STATE TO STATE IN THE U.S., PROVINCE TO PROVINCE IN CANADA AND FROM COUNTRY TO COUNTRY.

THIS LIMITED WARRANTY APPLIES ONLY TO PORTABLE ELECTRIC TOOLS, BENCH POWER TOOLS, OUTDOOR POWER EQUIPMENT AND PNEUMATIC TOOLS SOLD WITHIN THE UNITED STATES OF AMERICA, CANADA AND THE COMMONWEALTH OF PUERTO RICO. FOR WARRANTY COVERAGE WITHIN OTHER COUNTRIES, CONTACT THE WEN CUSTOMER SUPPORT LINE.