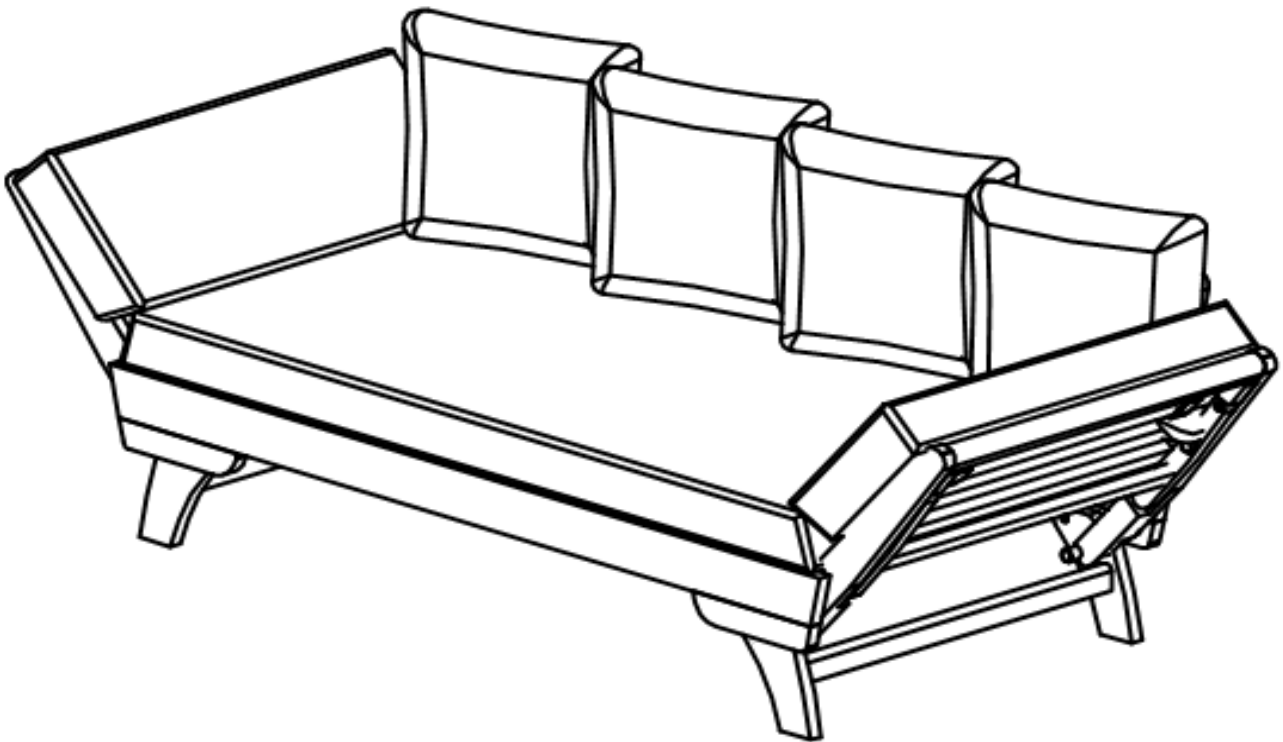


# Assembly Instructions

## **DAYBED**

**CAUTION:** You must read this before you proceed

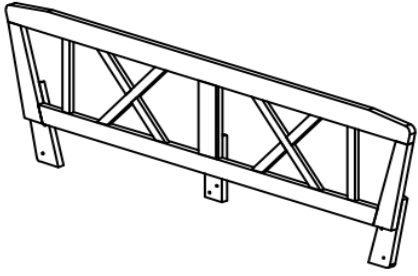
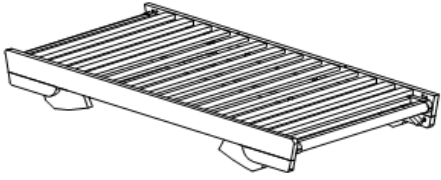
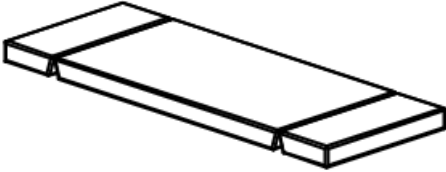
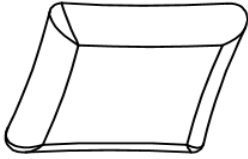


**CAUTION :** This Daybed is NOT a TOY.




Keep your child / children at bay in the process of assembly.

For turning the Daybed and to prevent damage to the Daybed, 02 persons may be needed to execute this action

# Parts List

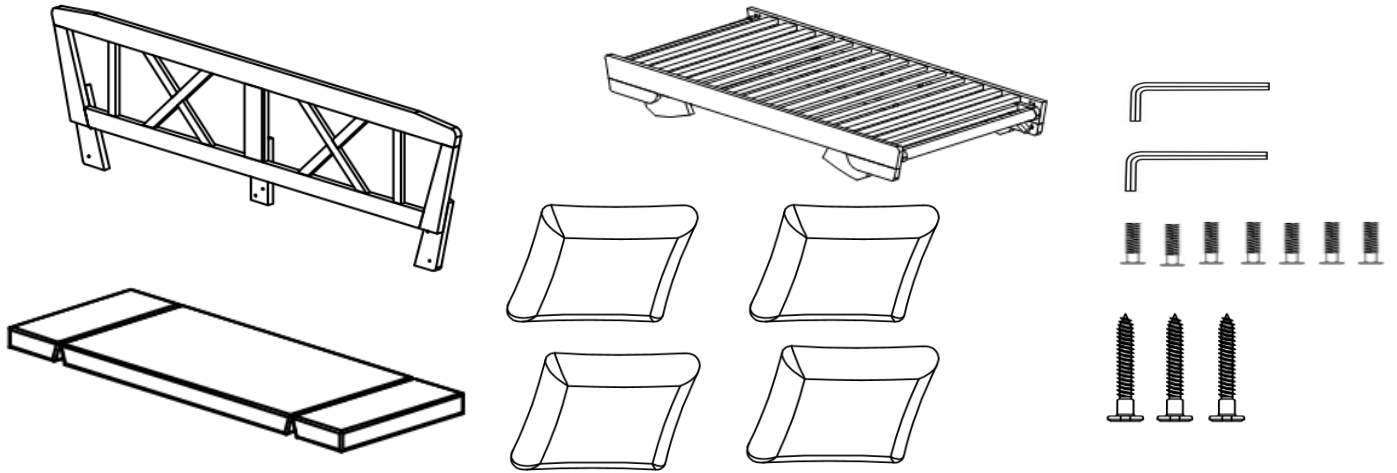
No.	Picture	Description	Qty
A		Backrest Panel	1
B		Seat Panel with Pre-fixed folding Leg	1
C		Seat Cushion	1
D		Back Pillow	4






## Hardware

No.	Picture	Description	Qty
①		Allen Key	2
②		Bolt (M6*35mm)	7
③		Screw (M7*120mm)	3

# Assembly Preparation

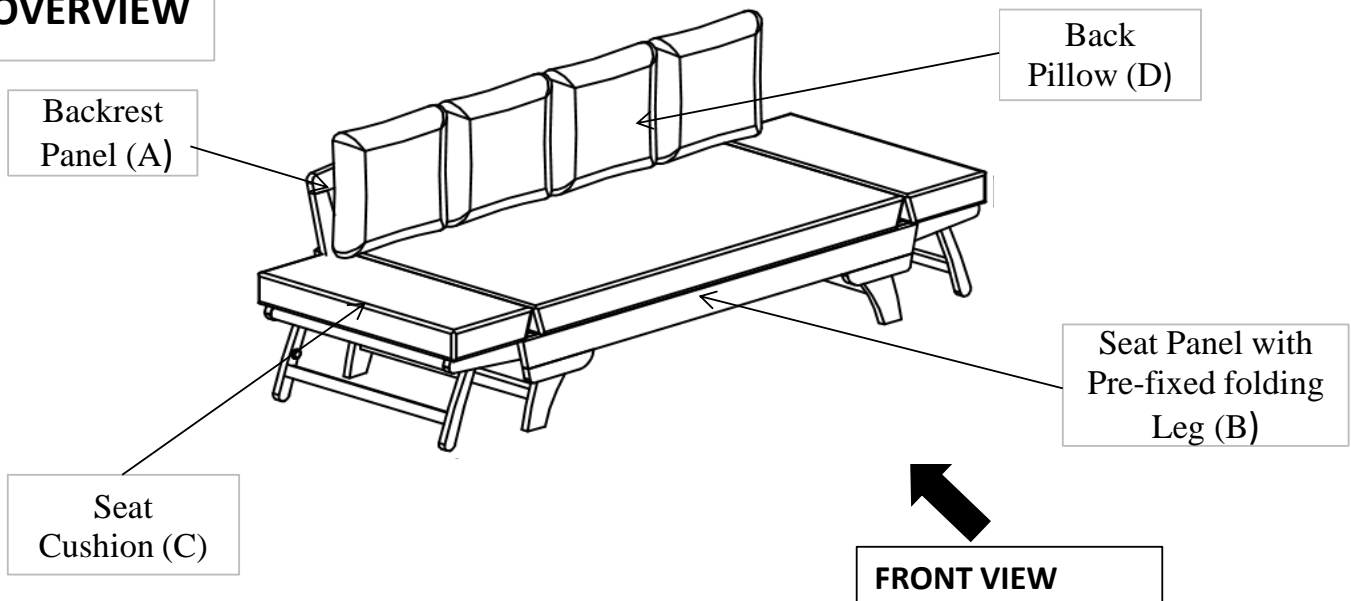
## Before Beginning Assembly:



-  • Read instructions, cover to cover-
-  • Have 2 adults on hand for assembly-
-  • Do not assemble on flooring or carpet-
-  • Assemble on a clean non-marring surface (packing foam)-
-  • Save all packaging until finished-

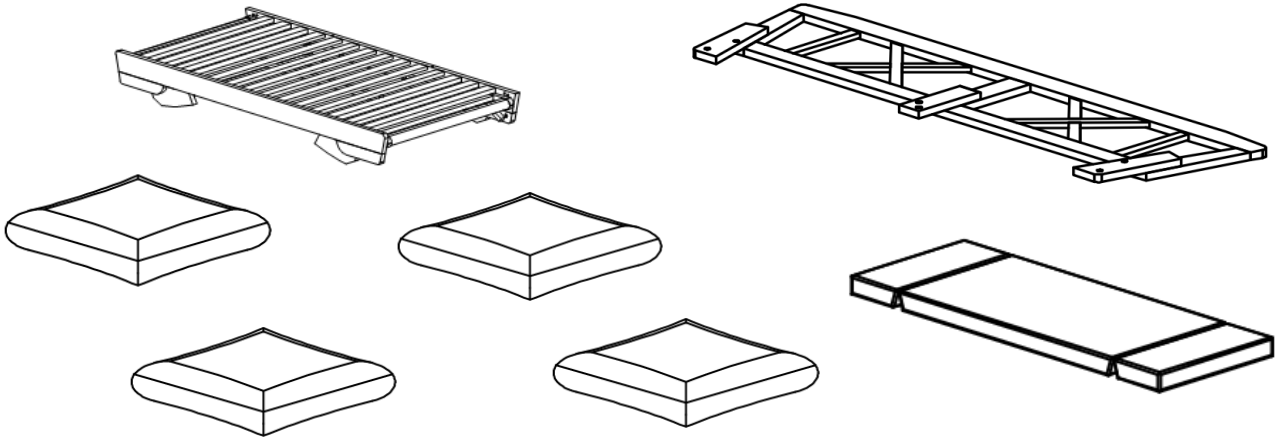
# Assembly Steps

## OVERVIEW



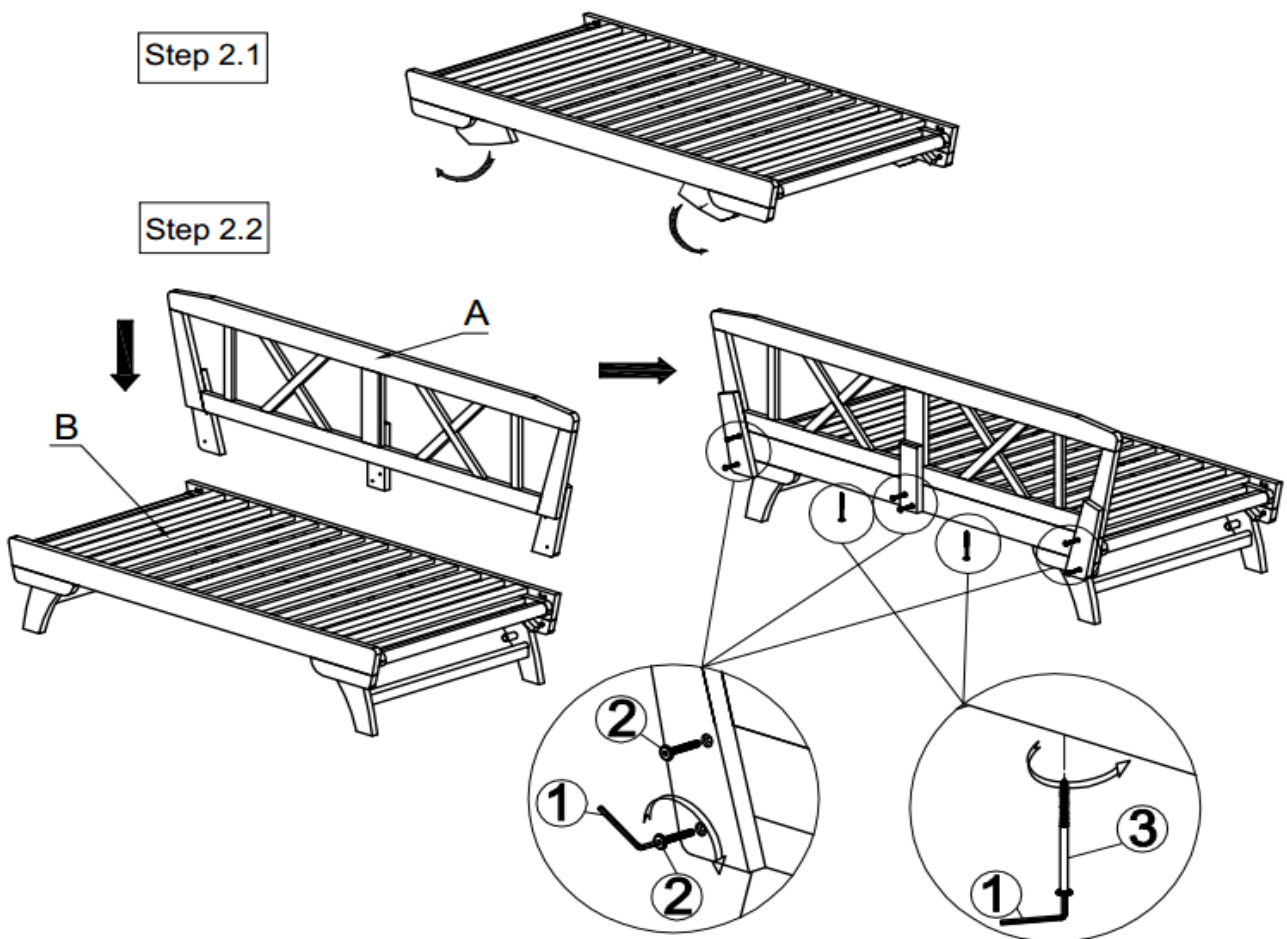
This Day Bed has multiple parts and may require up to some 30 minutes to assemble. To give you an overview of the Day Bed , the above picture to assemble to help you put the various parts into perspective. Please read through the instructions here below to familiarise the parts and steps before assembly.

## Step 1



Unpack and place all parts on a clean, non-marring surface.

## Step 2



2.1) Open Folding Leg Panels prefixed under Seat (B) as shown in picture above.

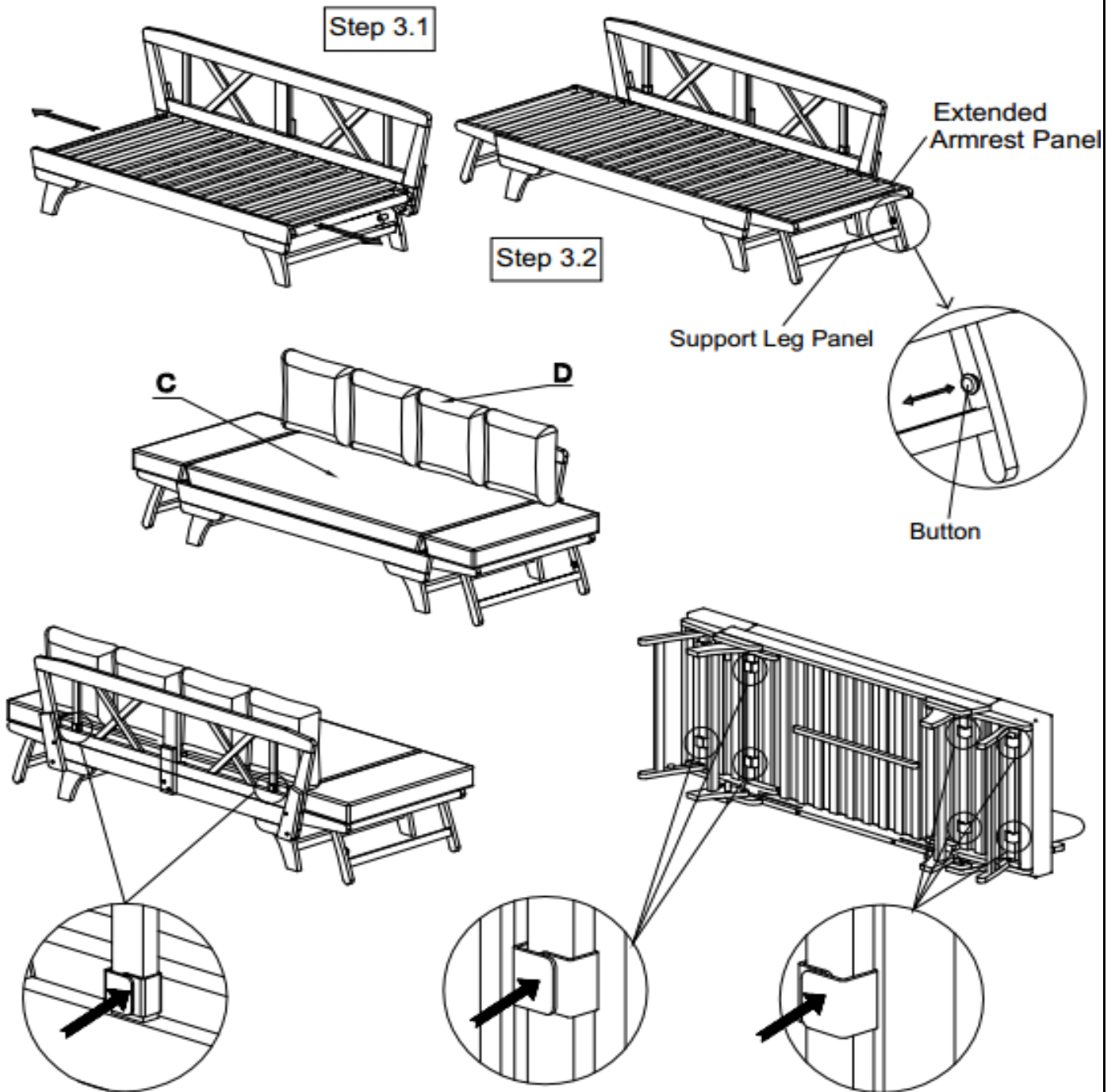
2.2) Attach Backrest Panel (A) to Seat Panel (B) by using 2 Screws (③) + 6 Bolts (②) + Allen Key (①) as designated points as picture above.

### **Do not fully tighten the Bolts and Screws**

This Daybed has multiple functions.

Belows are some steps to help you how to use this chair for your purpose. This Daybed can only be used on a flat, level surface.

## Function 1: A Bed



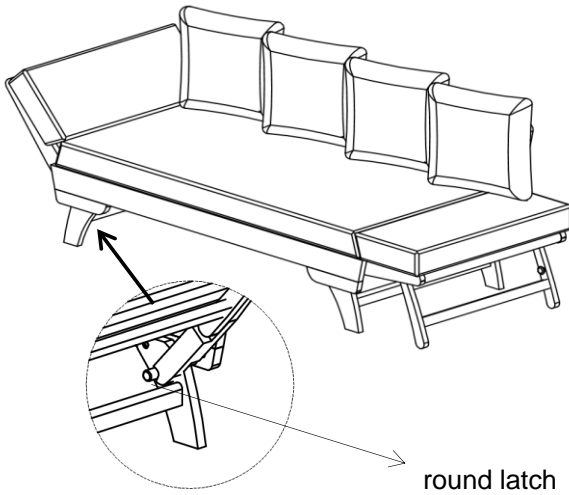
To use this Daybed as a bed, follow these instructions:

3.1) Retract Extend Armrest under the Seat Panel (B) to maximum level, then raise the Amrest slightly. Next, pull the Buttons to open the Support Leg Panels as shown on the picture. Finally, pulling Extend Armrest until its Side Rail flush with slats of Seat Panel (B).

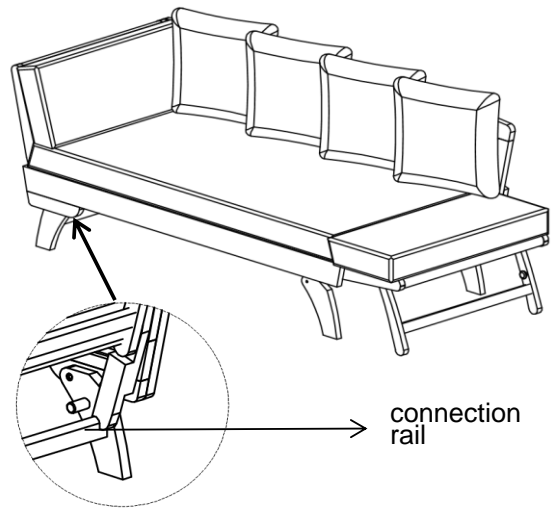
3.2) Place Seat Cushion (C) and Back Pillows (D) onto the Daybed. Then, with the help of an adult partner to tie the velcro straps of Back Cushion (C) to Backrest Panel (A) and Seat Panel (C) as shown in picture above.

## **Function 2: A Sunlounger**

Step 4.1



Step 4.2



This Daybed can be also used as a Sunlounger with Adjustable Armrest.

Pull the armrest, close Leg Panels and lock the Button.

4.1) Raise 1 Amrrest halfway to gain the first level of the Armrest.

At this level, the grave hole in the armrest will match with round latch as picture shown.

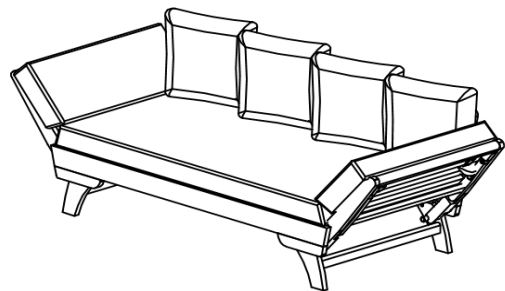
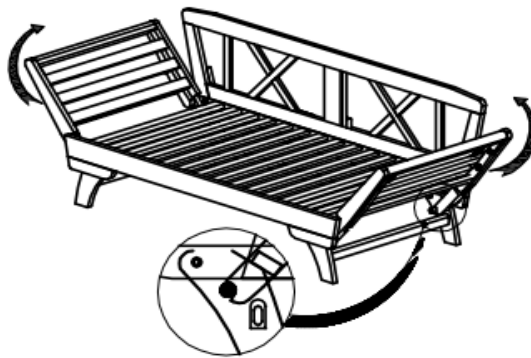
4.2) Release the Armrest and raise this section to maximum height.

The grave hole in the armrest will match with connection rail.

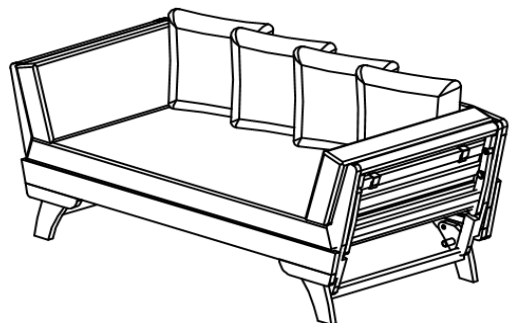
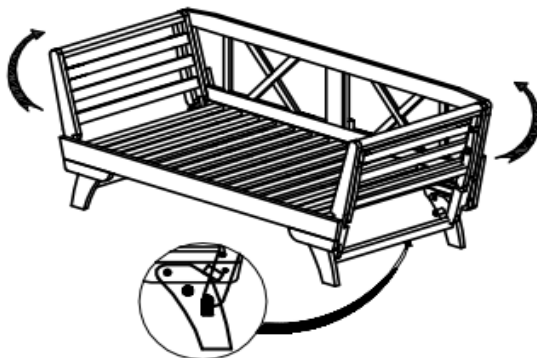
Separate the Velcro on the Seat panel cushion when changing Armrest panel height.

## **Function 3: A Bench**

Step 5.1












Step 5.2



To use Daybed as a Bench, adjust the Armrest height as same as Function 2, but for both sides.

## Care & Maintenance

- ⊗  ● Do not put hot items directly on furniture surface.
- ⊗  ● Do not clean furniture with harsh cleansers or polish.
- ✓  ● To obtain the longest lifespan of your outdoor products, minimizing exposure to direct sunlight is recommended.
- ⊗  ● Children should not climb or jump on the furniture.
- ⊗  ● Do not write on furniture without a padded barrier to protect the surface.
- ✓  ● To obtain the longest lifespan of your outdoor products, avoid extended and lengthy exposure to rain, snow, and direct sunshine. Whenever possible cover the product and /or place under patio or awnings.
- ⊗  ● Not for commercial use. For residential use only.
- ⊗  ● Stains may be removed with mild soap solution and damp cloth.
- ✓  ● Dust and pick-up spills using a clean, non-colored, lint-free cloth .

### Questions & Answers about Proposition 65

- What is Proposition 65?

Proposition 65 requires businesses to provide warnings to Californians about significant exposures to chemicals that cause cancer, birth defects or other reproductive harm. These chemicals can be in the products that Californians purchase, in their homes or workplaces, or that are released into the environment. By requiring that this information be provided, Proposition 65 enables Californians to make informed decisions about their exposures to these chemicals.

Proposition 65 also prohibits California businesses from knowingly discharging significant amounts of listed chemicals into sources of drinking water.

Proposition 65 requires California to publish a list of chemicals known to cause cancer, birth defects or other reproductive harm. This list, which must be updated at least once a year, has grown to include approximately 900 chemicals since it was first published in 1987.

- What types of chemicals are on the Proposition 65 list?

The list contains a wide range of naturally occurring and synthetic chemicals that include additives or ingredients in pesticides, common household products, food, drugs, dyes, or solvents. Listed chemicals may also be used in manufacturing and construction, or they may be byproducts of chemical processes, such as motor vehicle exhaust.

- What does a warning mean?

If a warning is placed on a product label or posted or distributed at a workplace, a business, or in rental housing, the business issuing the warning is aware or believes that it is exposing individuals to one or more listed chemicals.

By law, a warning must be given for listed chemicals unless the exposure is low enough to pose no significant risk of cancer or is significantly below levels observed to cause birth defects or other reproductive harm.

- Where can I get more information on Proposition 65?

If you have specific questions on the administration or implementation of Proposition 65, you can contact OEHHHA's Proposition 65 program at [P65.Questions@oehha.ca.gov](mailto:P65.Questions@oehha.ca.gov), or by phone at (916) 445-6900.