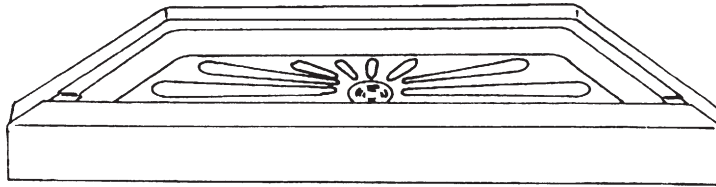
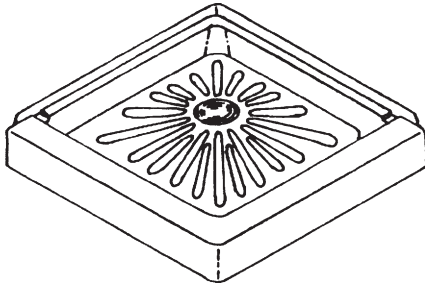


# SHOWER FLOOR

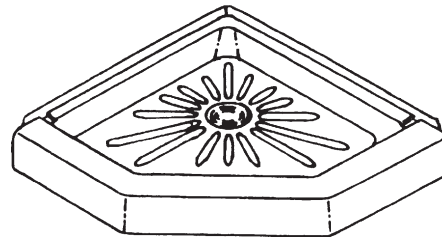
## INSTALLATION INSTRUCTIONS



SQUARE / RECTANGULAR



DOUBLE THRESHOLD  
(CORNER)



NEO-ANGLE THRESHOLD  
(CORNER)



File Numbers:  
#1453 • Shower floor  
#1251 • Strainer  
#1635 • Drain Assembly



Warnock Hersey® Listed—  
CSA Test Standards:  
Shower Floor — #B45.0  
and #B45.5

### IMPORTANT NOTES:

- We suggest that shower compartments be equipped with support handrails that comply with ANSI-117.1-1986 Consumer Safety requirements
- **DO NOT USE WITH "FREE STANDING SHOWER CABINETS, FOR "BUILT-IN" INSTALLATION ONLY**
- **SHOWER FLOORS ARE NOT TO BE INSTALLED IN FRONT OF DRYWALL!**
- Thoroughly **READ** and **UNDERSTAND** instructions before beginning installation of your MUSTEE Shower Floor



Quality Plumbing Products

**E.L. MUSTEE & SONS, INC.**

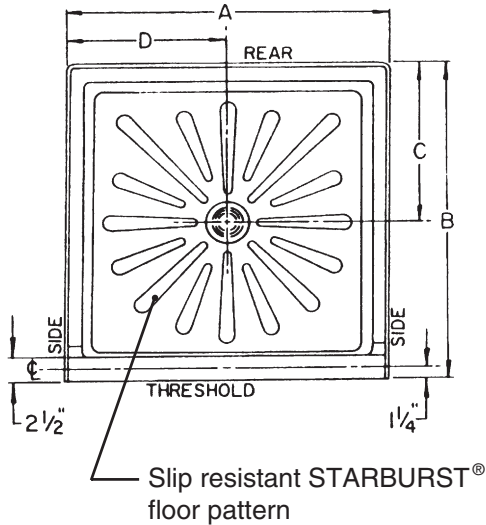
5431 West 164th Street • Brook Park, Ohio 44142

# ROUGH-IN:

**NOTE:** DIMENSIONS SHOWN ARE FOR REFERENCE ONLY! MEASURE ACTUAL SHOWER FLOOR BEFORE BEGINNING "ROUGH-IN"

\*Indicates model made with Durastone™ and PN-42.317A • DRAIN ASSEMBLY

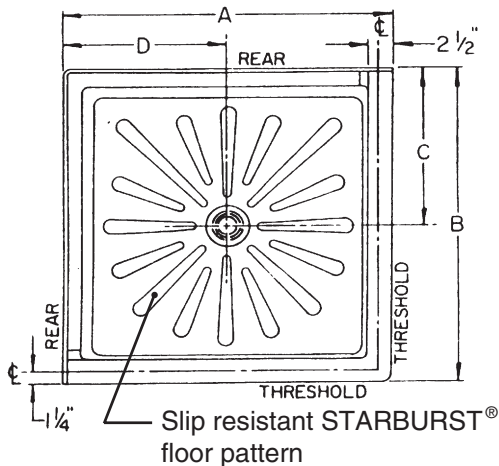
## SQUARE - RECTANGULAR MODELS



MODEL NO.	NOM SIZE	A	B	C	D
3232M	32" x 32" (812.8) x (812.8)	32" (812.8)	32" (812.8)	16" (406.4)	16" (406.4)
3248M	32" x 48"	48"	32"	16"	24"
3248SD*	(812.8) x (1219.2)	(1219.2)	(812.8)	(406.4)	(609.6)
3254M	32" x 54" (812.8) x (1371.6)	54" (1371.6)	32" (812.8)	16" (406.4)	27" (685.8)
3260M	32" x 60" (812.8) x (1524)	60" (1524)	32" (812.8)	16" (406.4)	30" (762)
3434M*	34" x 34" (863.6) x (863.6)	34" (863.6)	34" (863.6)	17" (431.8)	17" (431.8)
3442M	34" x 42" (863.6) x (1066.8)	42" (1066.8)	34" (863.6)	17" (431.8)	21" (533.4)
3448M	34" x 48"	48"	34"	17"	24"
3448SD*	(863.6) x (1219.2)	(1219.2)	(863.6)	(431.8)	(609.6)
3454M	34" x 54" (863.6) x (1371.6)	54" (1371.6)	34" (863.6)	17" (431.8)	27" (685.8)
3460M	34" x 60" (863.6) x (1524)	60" (1524)	34" (863.6)	17" (431.8)	30" (762)
3636M	36" x 36" (914.4) x (914.4)	36" (914.4)	36" (914.4)	18" (457.2)	18" (457.2)
4236M	42" x 36" (1066.8) x (914.4)	36" (914.4)	42" (1066.8)	21" (533.4)	18" (457.2)
4242M	42" x 42" (1066.8) x (1066.8)	42" (1066.8)	42" (1066.8)	21" (533.4)	21" (533.4)

## DOUBLE THRESHOLD - CORNER MODELS

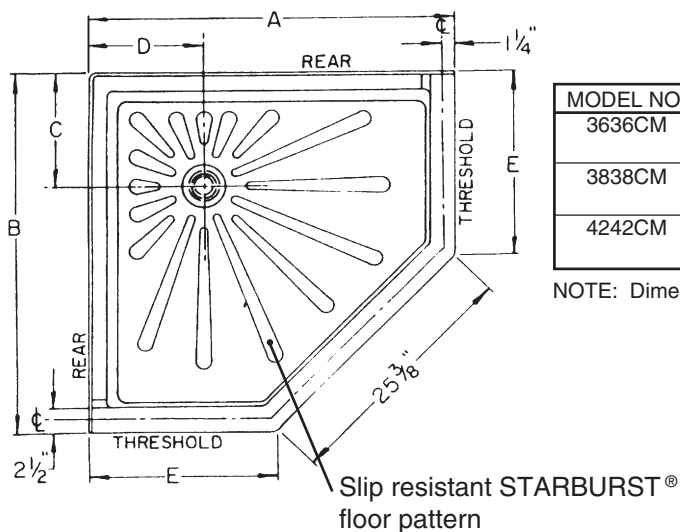
NOTE: Dimensions in Parenthesis ( ) are metric equivalents in millimeters (mm)



MODEL NO.	NOM SIZE	A	B	C	D
3434DTM*	34" x 34" (863.6) x (863.6)	34" (863.6)	34" (863.6)	17" (431.8)	17" (431.8)
3636DTM	36" x 36" (914.4) x (914.4)	36" (914.4)	36" (914.4)	18" (457.2)	18" (457.2)

NOTE: Dimensions in Parenthesis ( ) are metric equivalents in millimeters (mm)

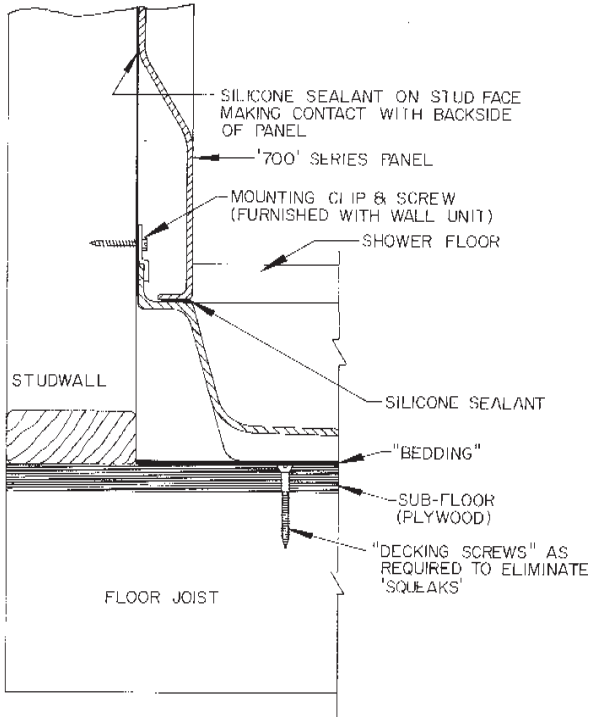
## NEO-ANGLE THRESHOLD - CORNER MODELS



MODEL NO.	NOM SIZE	A	B	C	D	E
3636CM	36" x 36" (914.4) x (914.4)	36" (914.4)	36" (914.4)	12" (304.8)	12" (304.8)	18" (457.2)
3838CM	38" x 38" (965.2) x (965.2)	38" (965.2)	38" (965.2)	12" (304.8)	12" (304.8)	20" (508)
4242CM	42" x 42" (1066.8) x (1066.8)	42" (1066.8)	42" (1066.8)	12" (304.8)	12" (304.8)	24" (609.6)

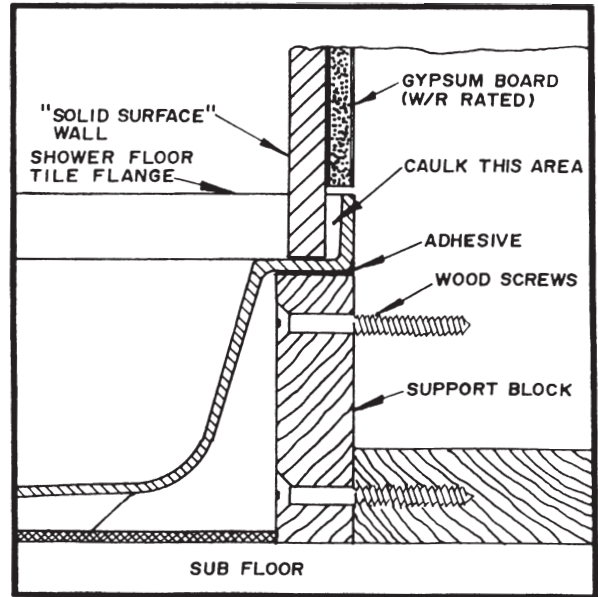
NOTE: Dimensions in Parenthesis ( ) are metric equivalents in millimeters (mm)

# MUSTEE '700' SERIES FIBERGLASS SHOWERWALL INSTALLATION DETAIL

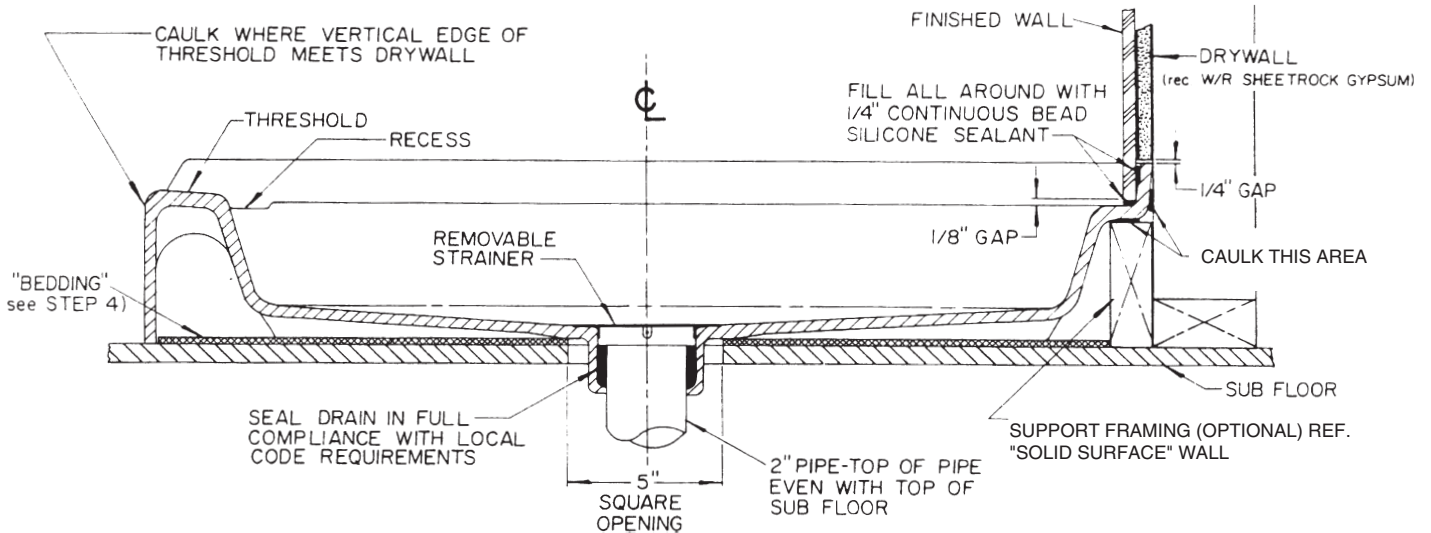


## "SOLID SURFACE" WALL NOTE

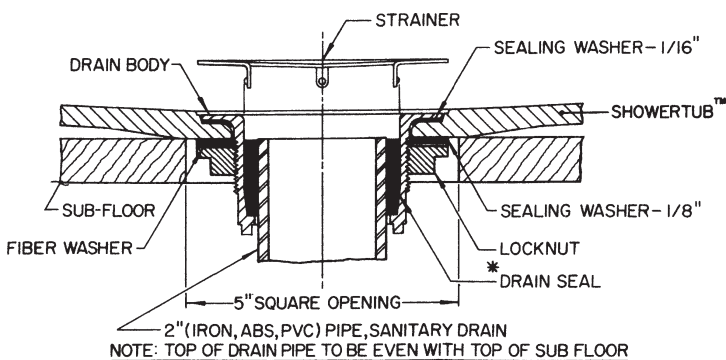
FOR INSTALLATION OF "SOLID SURFACE" WALL PANELS – IT IS **RECOMMENDED** THAT THE UNDERSIDE OF THE TILE FLANGES BE REINFORCED AS SHOWN IN SKETCH.



## SECTIONAL VIEW



## DRAIN DETAIL PN.42.317A



† AN OPTIONAL DRAIN SEAL:  
 PN.- 42.320, IS AVAILABLE FOR 2" COPPER (DWV)  
 PN.- 42.321, IS AVAILABLE FOR 2" SOIL PIPE (SW)  
 SANITARY DRAIN/WASTE CONNECTIONS

FOR REPLACEMENT DRAIN ASSEMBLY - COMPLETE  
 ORDER PN. 42.317A

### CAUTION:

DO NOT USE ANY PUTTY OR THREAD SEALING COMPOUND UNDER FLANGE OR ON THREADS OF DRAIN BODY - FAILURE AND LEAKAGE MAY RESULT!!!  
 DO NOT OVERTIGHTEN LOCKNUT - HAND TIGHTEN, THEN WRENCH ADDITIONAL 3/4 TURN - MAXIMUM.

## ROUGH-IN PREPARATION

**IMPORTANT:** "ROUGH-IN" dimensions are provided for reference only! Measure actual **Shower Floor** and check local building code requirements before constructing alcove.

**NOTE:** If using MUSTEE 700 Series Fiberglass Showerwalls, review instructions provided with wall unit before framing alcove. (See detail shown below for typical installation.)

1. Refer to "ROUGH-IN" dimensions and determine location of **Shower Floor**.
2. Next, prepare SUB-FLOOR in **Shower Floor** area as follows:

### Wood/Joist Floor:

Sub-floor must be min. 3/4" construction grade sheathing (CDX). Make sure sub-floor is securely fastened to floor joists throughout alcove area with either "Drywall"/Bugle Head screws (2-1/2" min.) or nails (rec. 8d Spiral Flooring Nails). Make sure any "creaking or squeaks" have been eliminated by walking around alcove area before proceeding.

### Concrete/Cement Slab Floor:

Prepare surface in alcove area so that floor is level and sound.

3. Provide a 5" (inch) square opening in sub-floor or slab to accommodate **Shower Floor** drain body. (Slab installation requires opening to be min. 2-1/4" deep). **NOTE:** If using a hole saw to cut floor opening, you MUST use a 4-1/2" diameter (minimum) hole saw. Opening to be centered about drain centerlines as specified in "ROUGH-IN" dimensions. Drain connection requires 2" (inch) DWV pipe. Top of drain pipe must be even with top of sub-floor or slab.
4. Finally, we recommend that **Shower Floor** be installed on a bed of 30 lb. roofing felt or equivalent to compensate for any inconsistencies in sub-floor or slab. (Gypsum cement or panel/ floor adhesive could also be used for this purpose.)

## SHOWER FLOOR INSTALLATION

5. Check **Shower Floor** carefully making sure it is not damaged.
6. Set **Shower Floor** into place. Level **Shower Floor** in both directions.  
**NOTE:** Place level along top edge of tile flanges - *do not use floor area which is tapered for water drainage!*
7. Shower w/Integral Drain Body  
Apply a lubricant of some type (liquid soap works well) to the inside and outside of the **Drain Seal**<sup>†</sup> prior to installation. Place **Drain Seal** over pipe and tamp into place using a hammer and - 1/4" (inch) dia. blunt rod or dowel. (Hint: 1/4" dia. bolt approx. 6" long works well as a tamping tool.) Make sure top of **Drain Seal** is even with top of 2" (inch) waste pipe and in full compliance with local code requirements pertaining to below floor waste connectors. (see **Sectional View**)
8. Snap **Strainer**<sup>‡</sup> into place.

(†) Optional **DRAIN SEALS** are available: PN.- 32.403 - 2" SOIL PIPE/CAST IRON-SERVICE WT. (NO HUB)  
SANITARY DRAIN/WASTE CONNECTIONS

(‡) Optional **STRAINERS** are available: PN.- 32.404 - 2" COPPER-DWV, TYPE K,L or M  
PN.- 34.305 - POLISHED BRASS  
PN.- 34.301 - POLISHED STAINLESS STEEL  
PN.- 42.323 - MOLDED ('BONE')  
PN.- 42.324 - MOLDED ('BISCUIT')