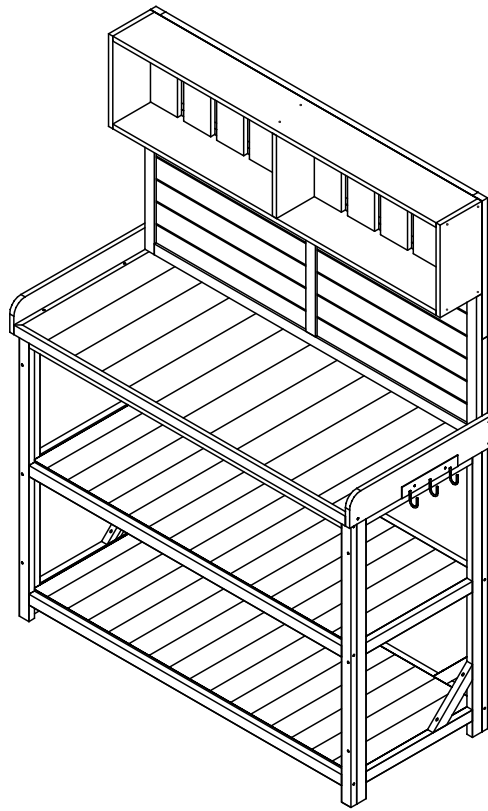
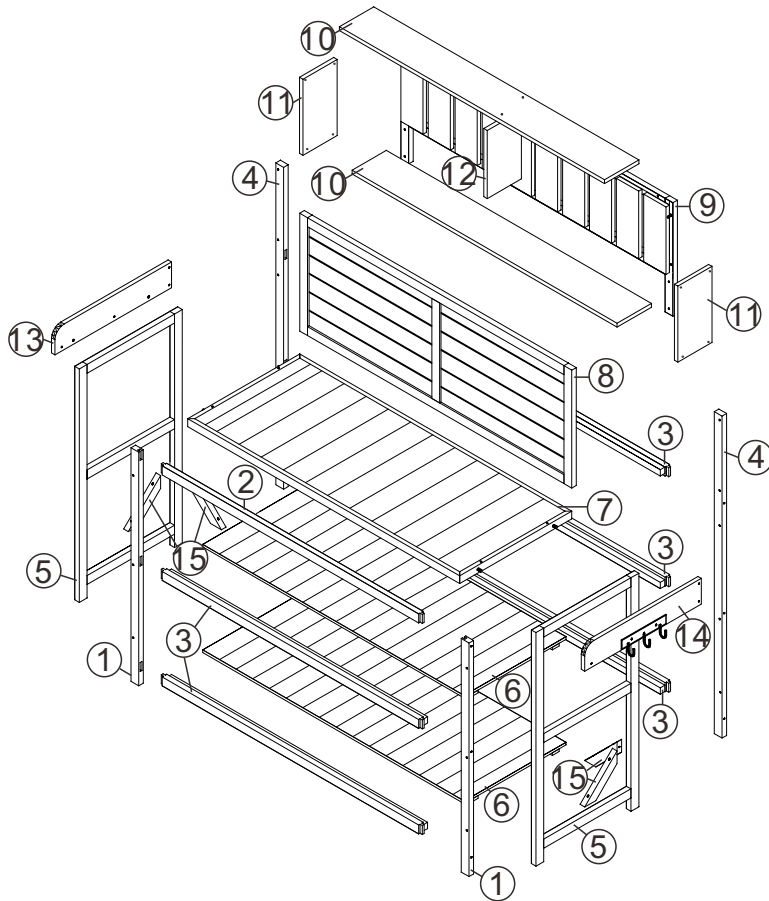


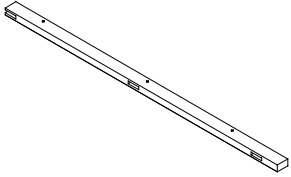
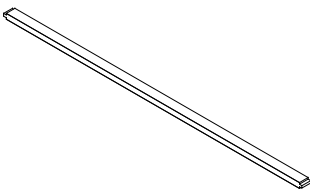
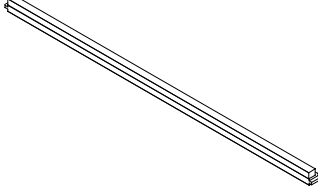
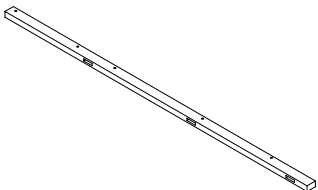
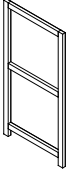
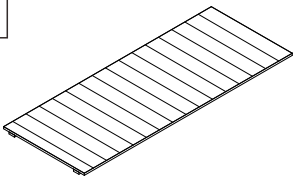
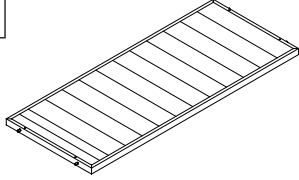
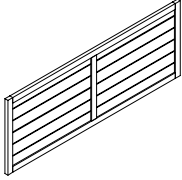
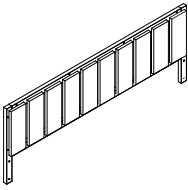
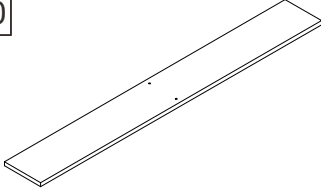
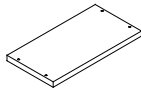
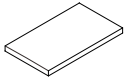
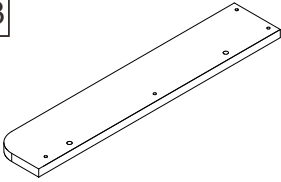
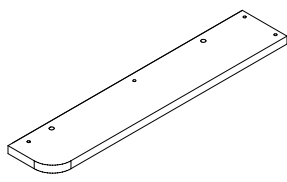
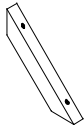
# WF285323










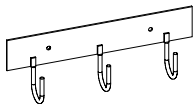
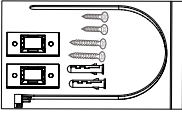
## Detail View



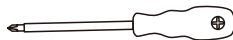
## Hardware List(WF285323)

1		2		3		4	
Middle slat of front panel-2pcs		Upper slat of front panel-1pc		Slat of front&back panel-5pcs		Lower slat of back panel-2pcs	
5		6		7		8	
Side panels-2pcs		Shelves -2pcs		Top of table- 1pc		Middel part of back panel-1pc	
9		10		11		12	
Upper part of back panel-1pc		Top&Bottom part of flower stand-2pcs		Side panel of flower stand-2pcs		Left panel of flower stand-1pc	
13		14		15			
Left panel of flower stand-1pc		Right panel of flower stand-1pc		Reinforced wooden strips-4pcs			

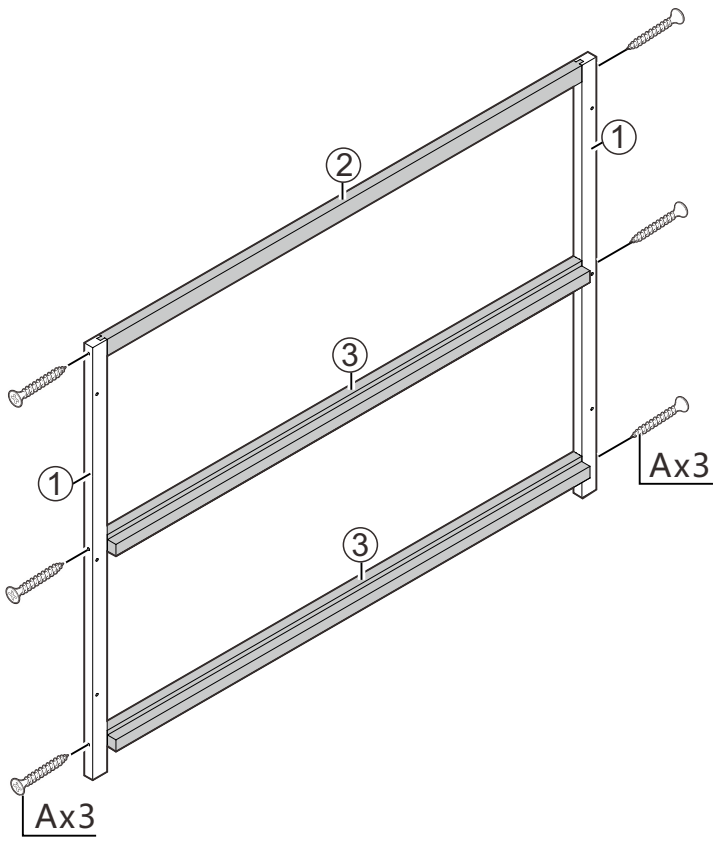
### Hardware List

A	 <b>3.5×60</b>	B	 <b>3.5×50</b>	C	 <b>3.5×40</b>	D	 <b>3.5×35</b>
Ph zinc screws-12+1pcs		Ph zinc screws-12+1pcs		Ph zinc screws-26+1pcs		Ph zinc screws-8+1pcs	
E	 <b>3.0×30</b>	F	 <b>3.0×28</b>	G		H	
Ph zinc screws-20+1pcs		Ph zinc screws-2+1pcs		Wood dowel-4pcs		Hook-1pc	
 Anti-topple over sets-2pcs							

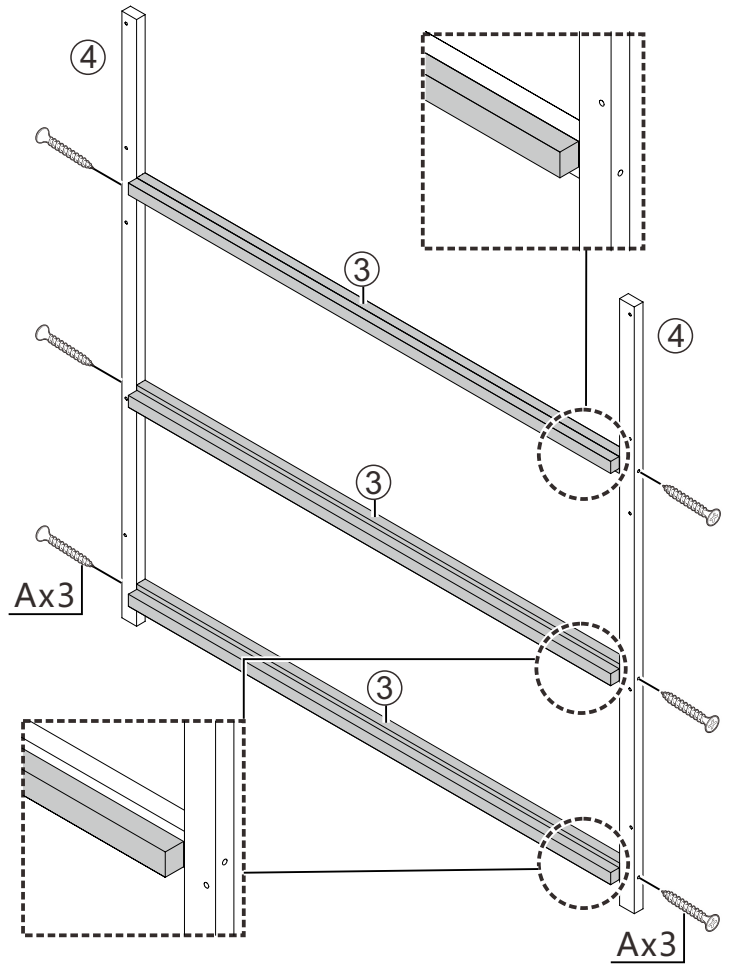
ASSEMBLY TOOLS REQUIRED( NOT INCLUDED)



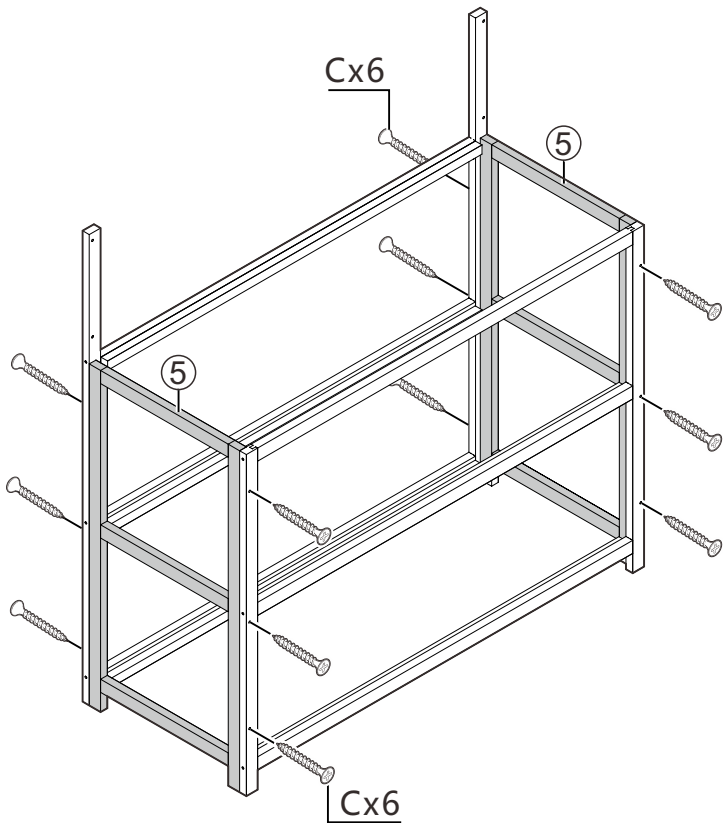
PLEASE BE CAREFUL DO NOT DAMAGE THE HOLE POSITION WHEN YOU USE POWERTOOLS !



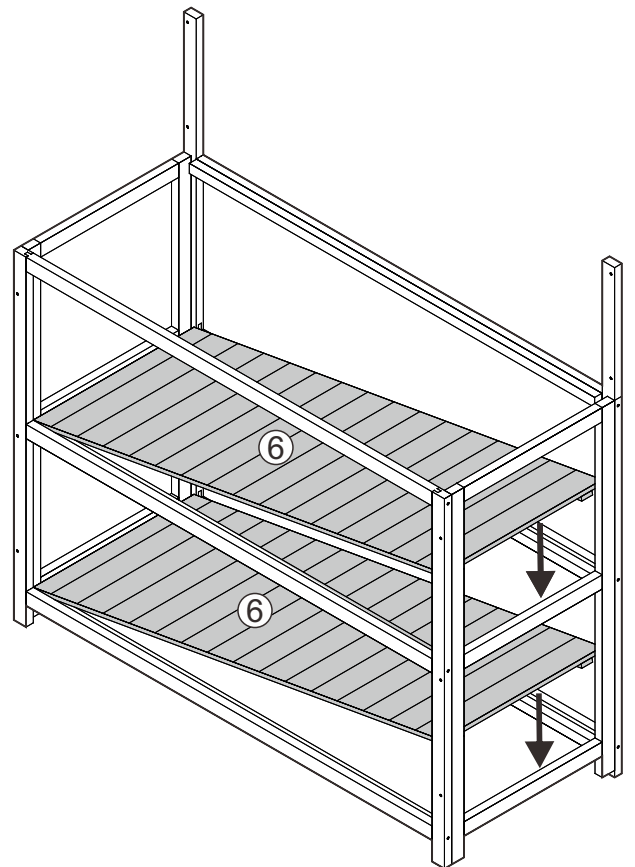
Step 1



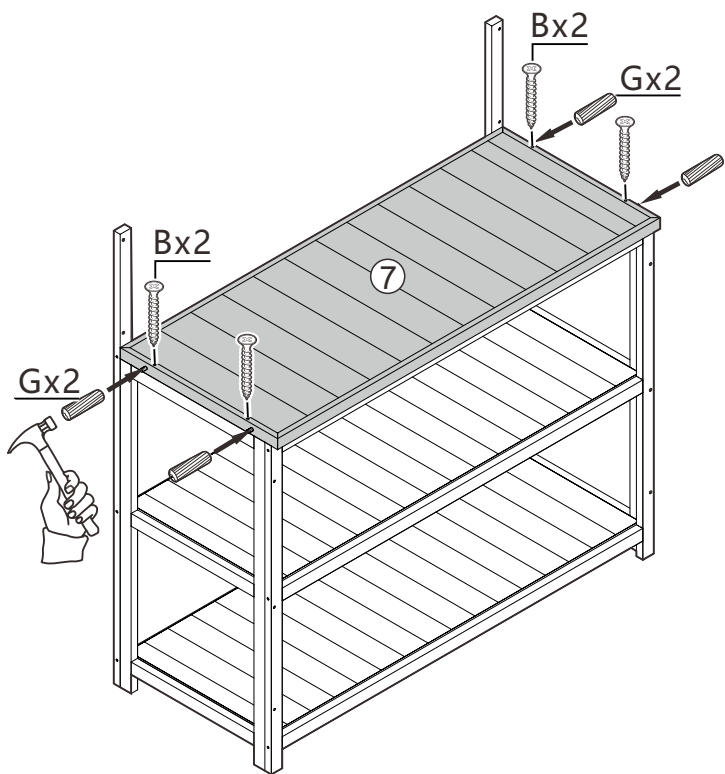
Step 2



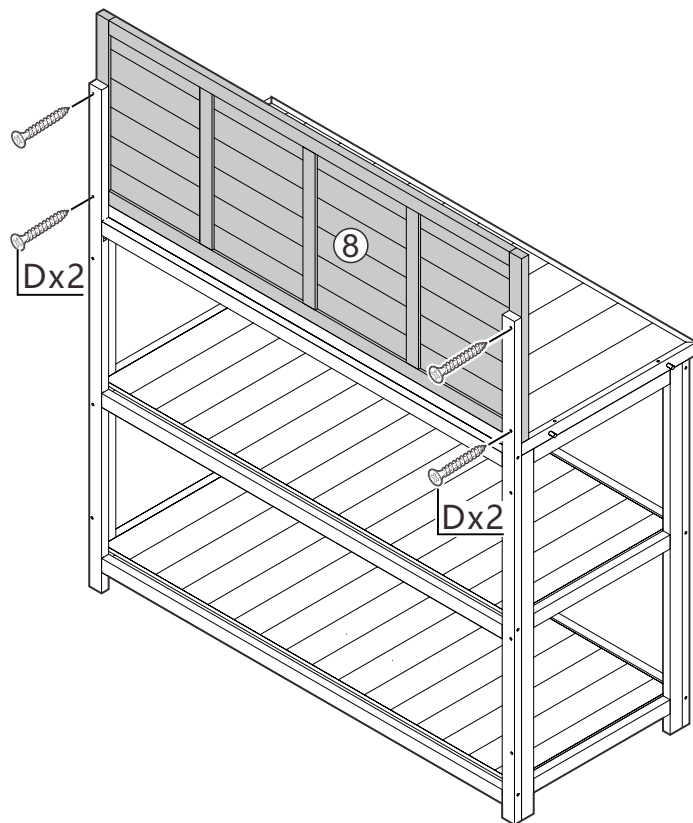
Step 3



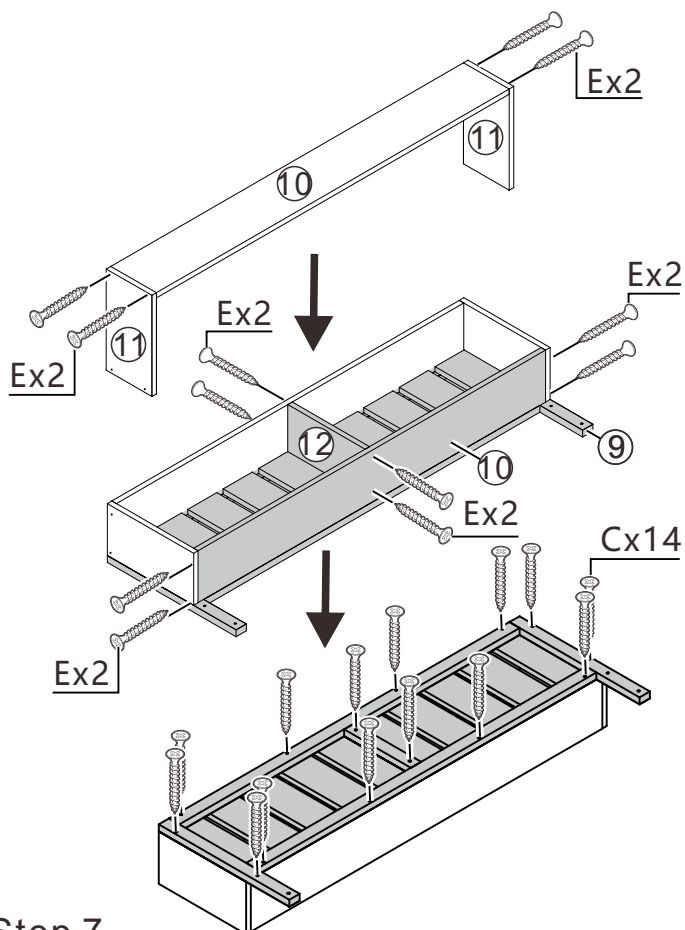
Step 4



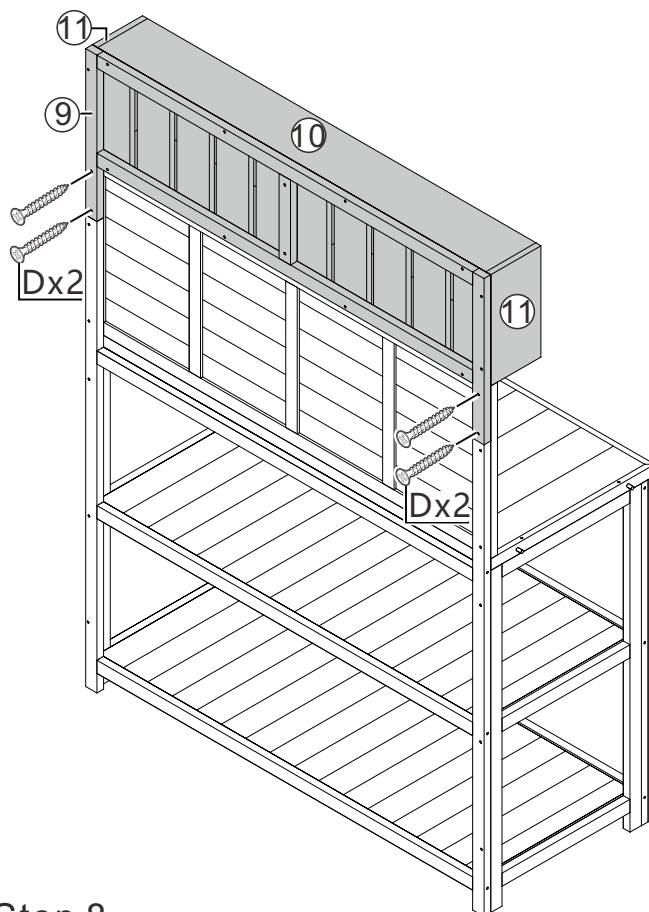
Step 5



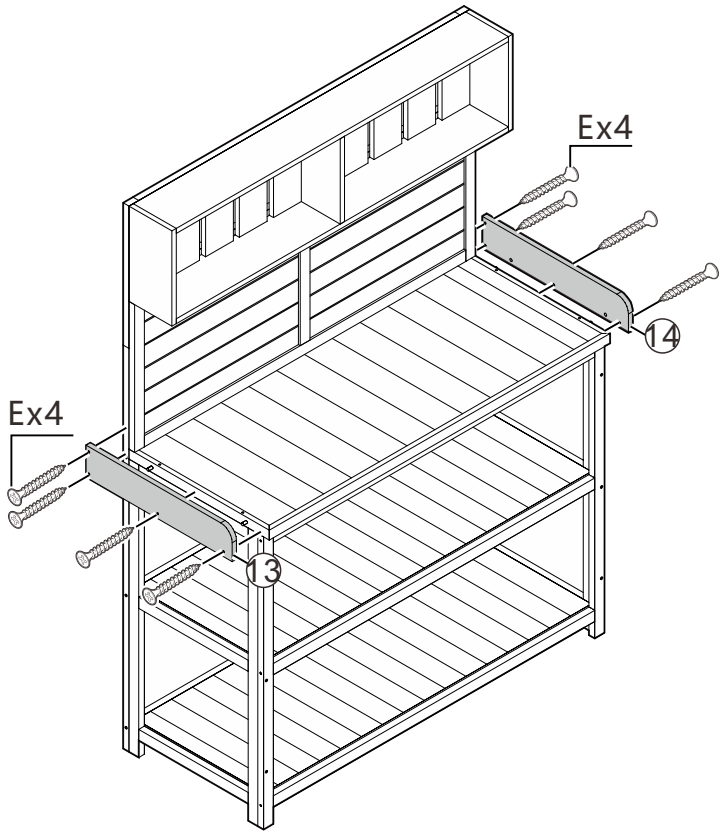
Step 6



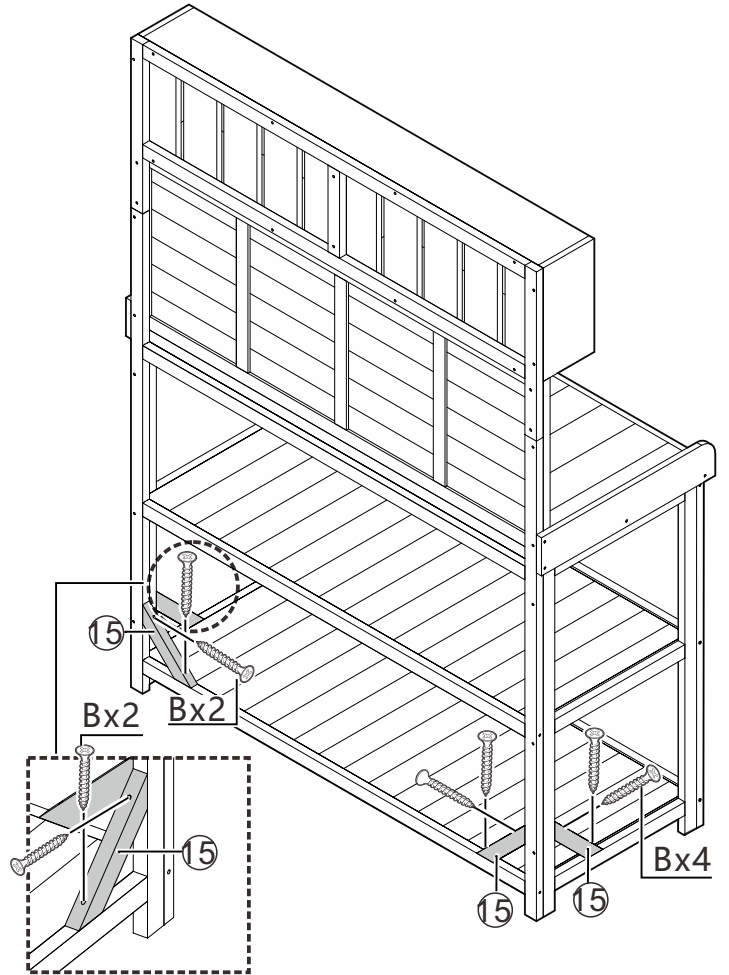
Step 7



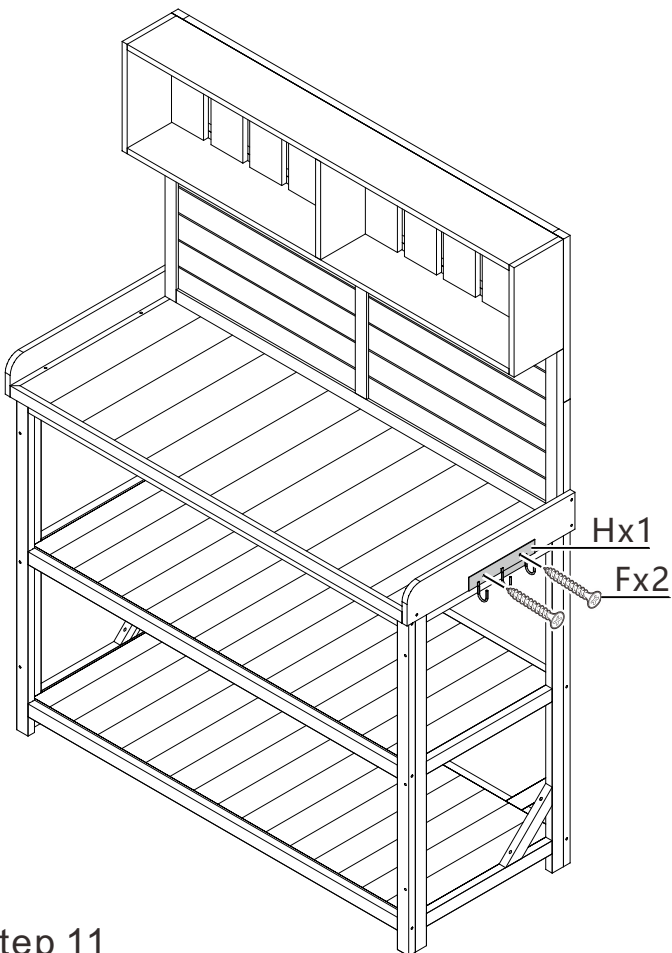
Step 8



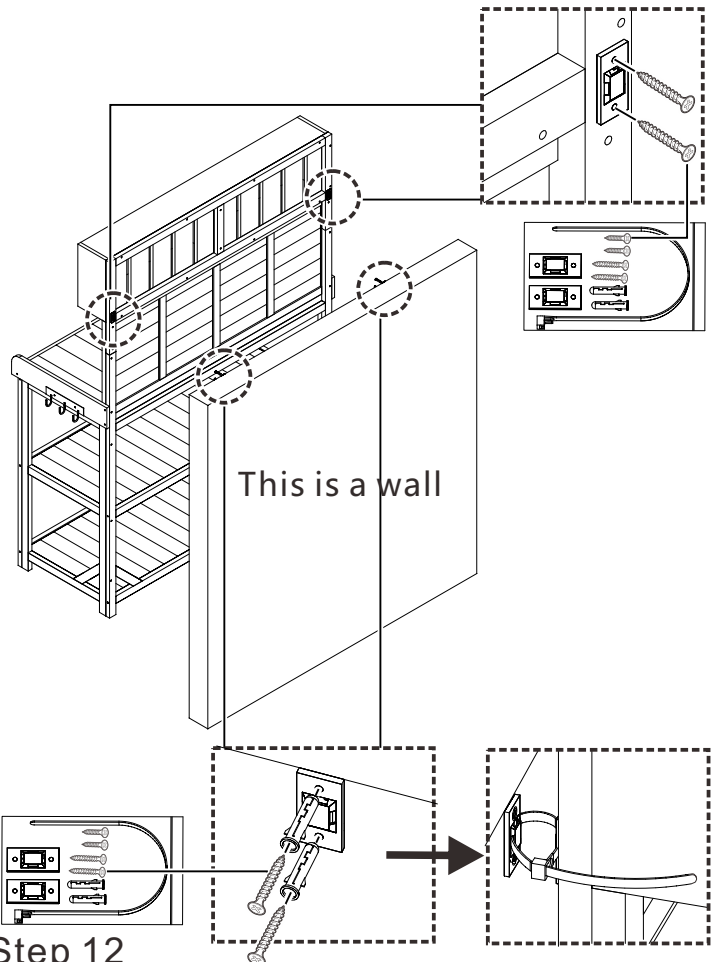
Step 9



Step 10



Step 11



Step 12