

WHOLE HOUSE IRON REDUCTION SYSTEMS



APPLICATIONS

- ◆ Whole House

FEATURES • BENEFITS

- ◆ Simple, electronic system for easy programming; maintains settings during power outages
- ◆ Automatic bypass for uninterrupted water flow to the home during regeneration
- ◆ Singular, rotary disc seal means longer life and lower maintenance
- ◆ Self-cleaning injector reduces maintenance
- ◆ Chemical free operation minimizes operating costs
- ◆ 1.0 and 1.5 cubic foot capacities available to meet household demand requirements

SPECIFICATIONS

PART NO.	35928	35929
Rated Service Flow (gpm)	5.0	5.0
Pressure Drop at Rated Service Flow Rate (psi)	3	3
Media (cu ft)	1.0	1.5
Tank Size (dia x h)	10" x 44"	10" x 54"

VALVE SPECIFICATIONS

Valve Body	Glass-Filled Thermoplastic
Rubber Components	Compounded For Cold Water
Operating Pressure	20 - 120 psi (1.38 - 8.27 bar)
Water Temperature	40° - 100°F (4.4° - 38°C)
Ambient Temperature	40° - 100°F (4.4° - 38°C)

POWER REQUIREMENTS

Input Supply Frequency	50 or 60 Hz
Motor Input Voltage	24 Volt - DC
Controller System Power Consumption	3 Watts Average
Transformer Output Voltage	24 Volt - AC 500 mA
Transformer Input Options	115 Volt - AC 50/60 Hz

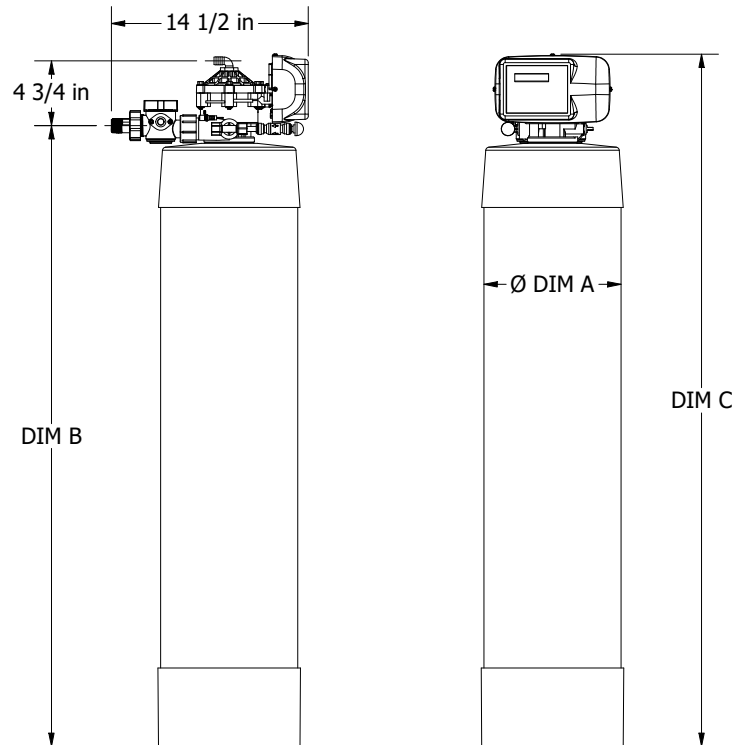
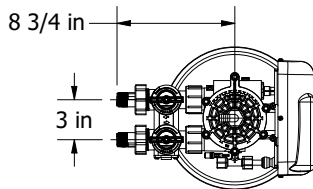
CYCLE INFORMATION

Downflow/Upflow	Downflow Only
Adjustable Cycles	Yes
4 Cycle Valve	1) Service/Home 2) Backwash 3) Slow Rinse 4) Fast Rinse

VALVE CONNECTIONS

Tank Thread	2-1/2" - 8, Male
Drain Line	3/4" NPT, Female
In/Out Bypass Valve	Included
Drain Line Elbow Fitting	1/2" Hose Barb Included
In/Out Plumbing Connection	3/4" NPT, Male Plastic Fittings

Tank Size	DIM A	DIM B	DIM C
10x44	10-1/4 in	46 in	51 in
10x54	10-1/4 in	55-7/8 in	61-1/4 in



13845 Bishops Dr. | Suite 200 | Brookfield, WI 53005 | United States
 Customer Service: 800.811.3489 | systems-tech-support@pentair.com | pentair.com

§For a detailed list of where Pentair trademarks are registered, please visit www.pentair.com/registrations. Pentair trademarks and logos are owned by Pentair plc or its affiliates. Third party registered and unregistered trademarks and logos are the property of their respective owners.

© 2020 Pentair Residential Filtration, LLC. All rights reserved.

4005648 Rev A JA20