

# ASSEMBLY INSTRUCTION

## Under Window Bookcase

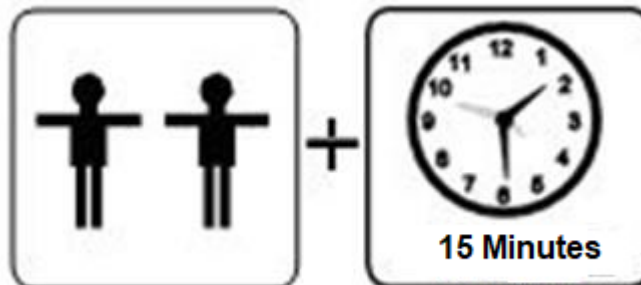


### REPLACEMENT PARTS

Please do not contact the company purchased from as we can help you faster.  
Order replacement parts and hardware at “ [www.boltonfurniture.com](http://www.boltonfurniture.com) ”



. Use of power tool to assemble this product will invalidate any claim and damage this product making it unsafe!!!  
. Please assemble on a clean soft surface to avoid damage.

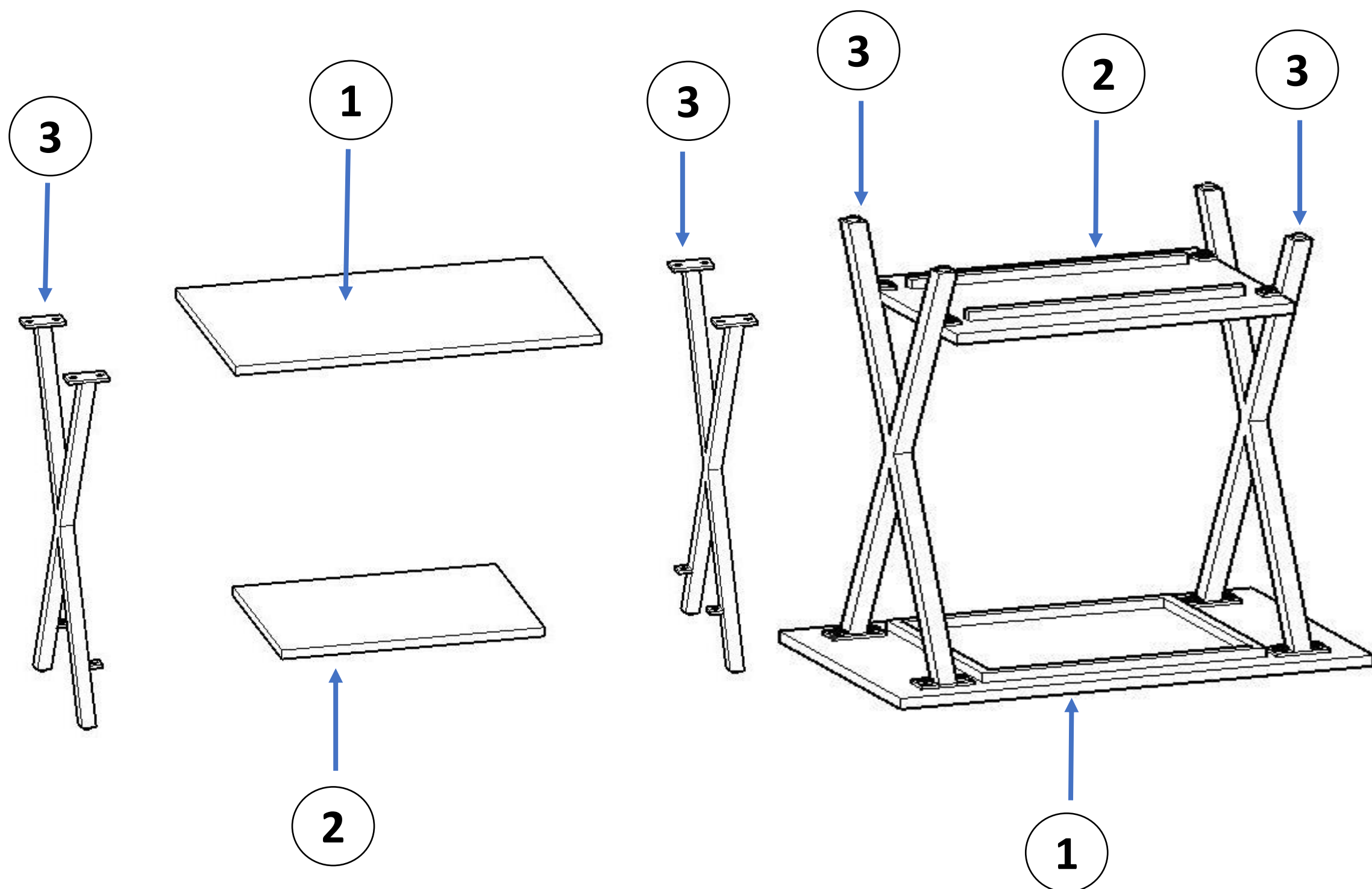


### Tools Included



[www.boltonfurniture.com](http://www.boltonfurniture.com)

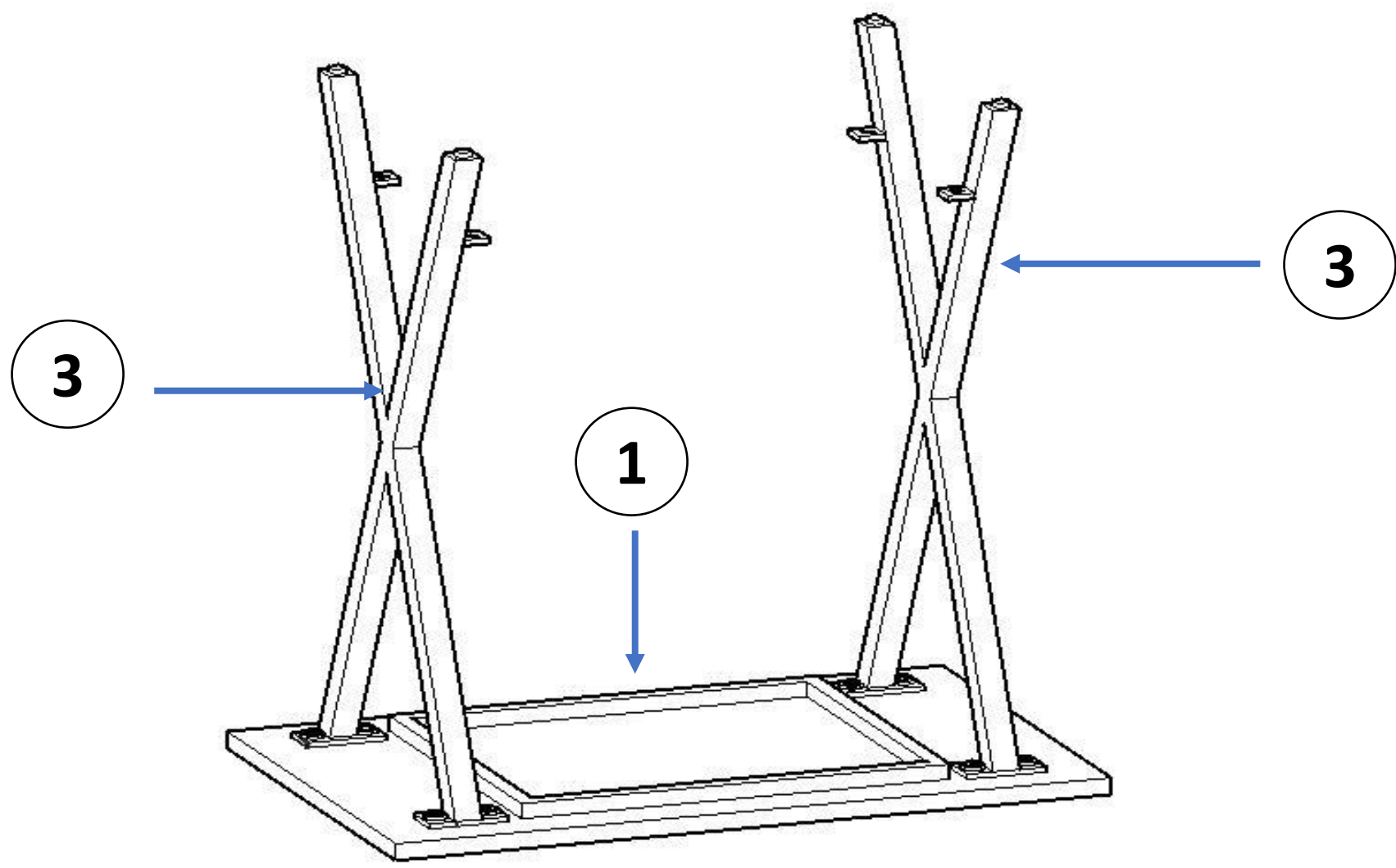
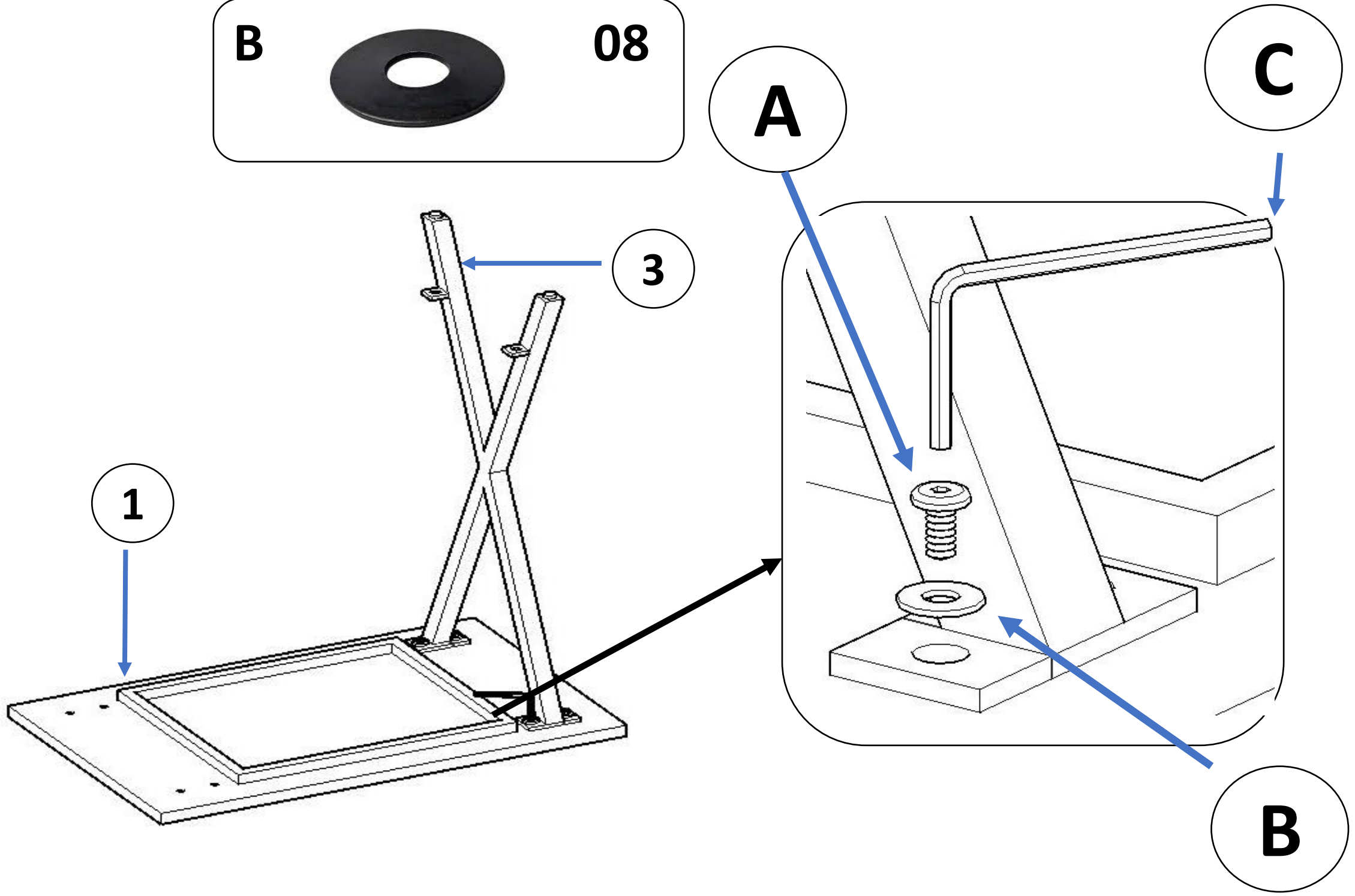
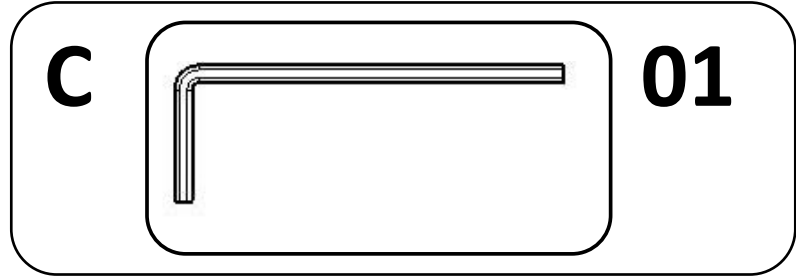
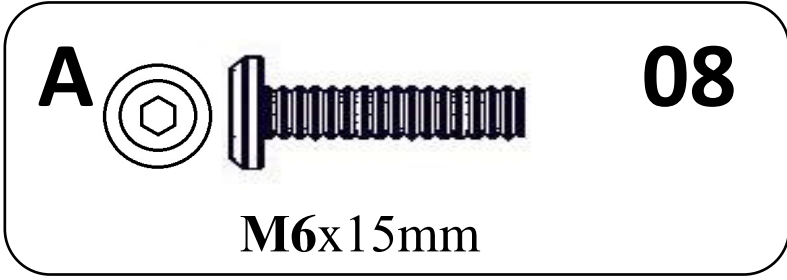
# Part List – Bookcase



**Identifying the Hardware** -Identify the hardware using the illustrations below.



# 01





# 02

