

# Cub Cadet®



## **CC-4222LS** **22 cu ft LAWN SWEEPER**

U.S. Patent No. 7,610,646



**READ AND FOLLOW ALL SAFETY RULES AND OPERATING  
INSTRUCTIONS BEFORE USING THIS EQUIPMENT**

# ***Safety Rules***



**This is the safety alert symbol. It is used to alert you to potential personal injury hazards. Obey all safety messages that follow this symbol to avoid possible injury or death.**

Read and understand all safety rules and operating instructions before using this tractor attachment.

Follow all safety rules and operating instructions provided by your tractor's manufacturer when using attachment.

Never allow children or untrained persons to operate tractor or attachment.

Reduce tractor speed to slowest setting when towing or operating on slopes.

Operate up and down slopes, never across the face of slopes.

Do not carry passengers on tractor or attachment.

Avoid sudden turns or maneuvers.

Use caution when backing up to prevent damaging attachment.

Do not tow attachment on public roadways.

Do not remove warning decals from product.

Check product for worn, loose, or damaged parts before each use. If any damage is present, repair the product before using.

Check product for loose or missing fasteners before each use. Tighten or replace fasteners as needed before using.

Do not fasten rope to any part of your body or clothing.

Do not hold rope while tractor and Lawn Sweeper are in motion.

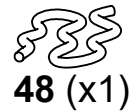
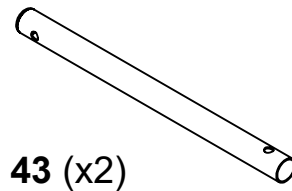
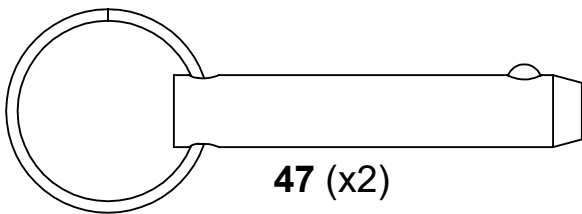
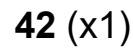
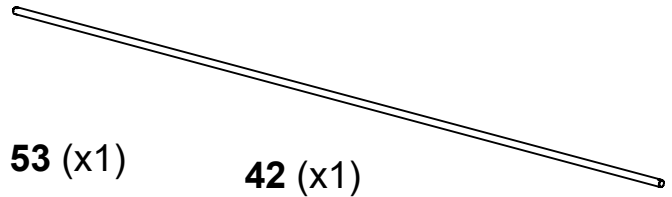
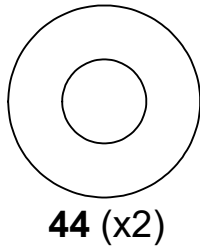
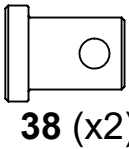
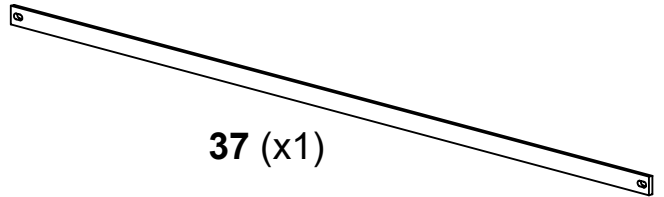
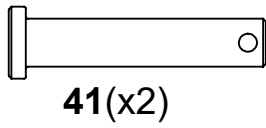
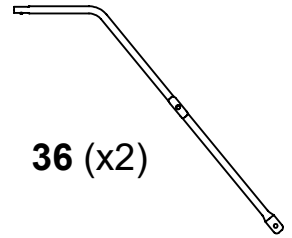
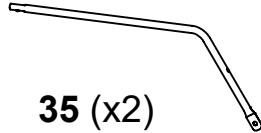
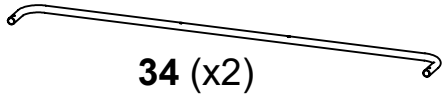
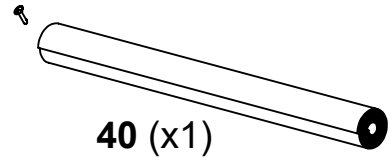
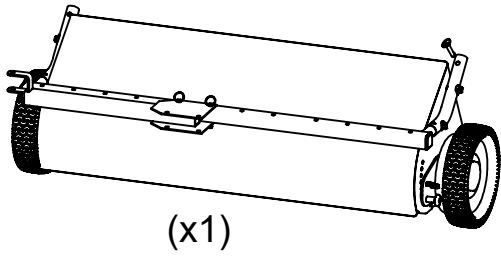
Do not use Lawn Sweeper near fire or smoldering debris.

Always fasten rope to tractor to avoid contact with wheels and brushes.

Always empty hopper before storing to avoid spontaneous combustion of contents.

Do not exceed tractor speed of 6 miles per hour when towing or operating Lawn Sweeper.

# Carton Contents



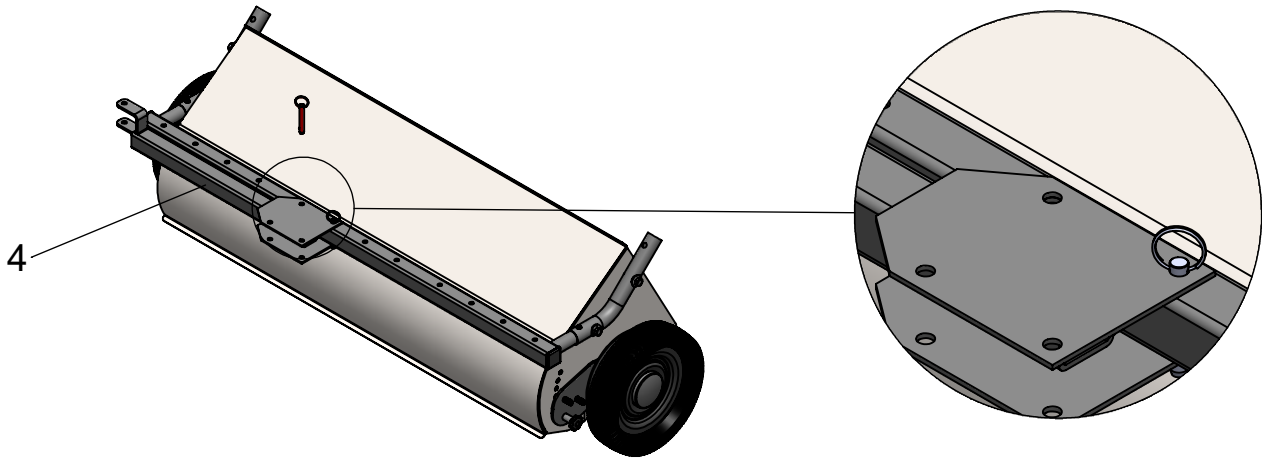
## TOOLS REQUIRED FOR ASSEMBLY:

- 9/16" Open End Box Wrench

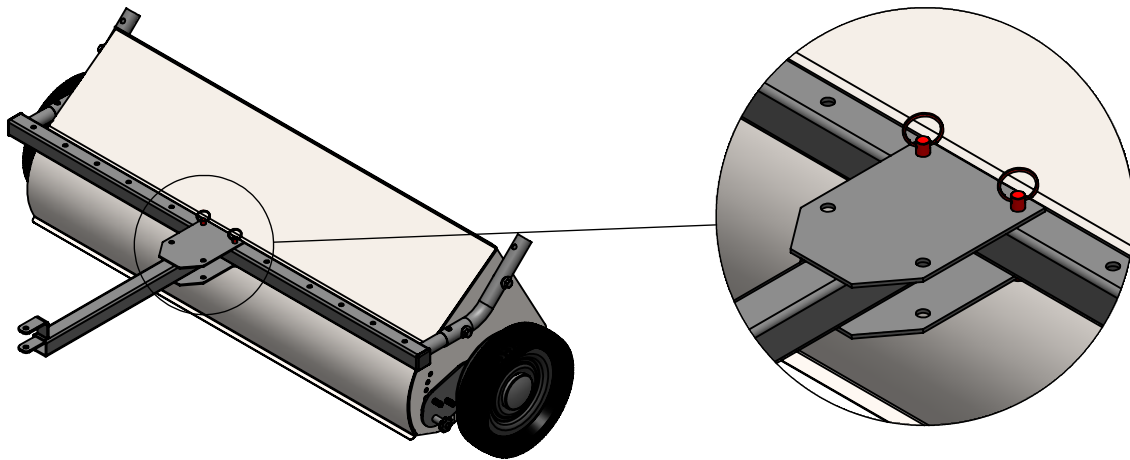


# Assembly Instructions

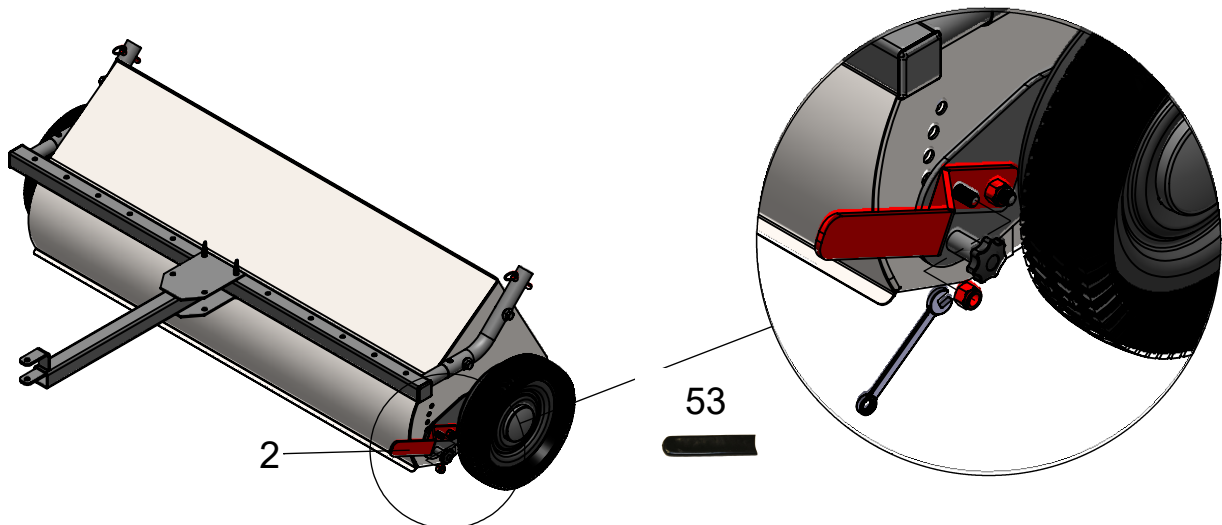
- 1** Remove tethered pin and unfold hitch from storage position.



- 2** Replace pin in desired position along Hitch Cross Tube

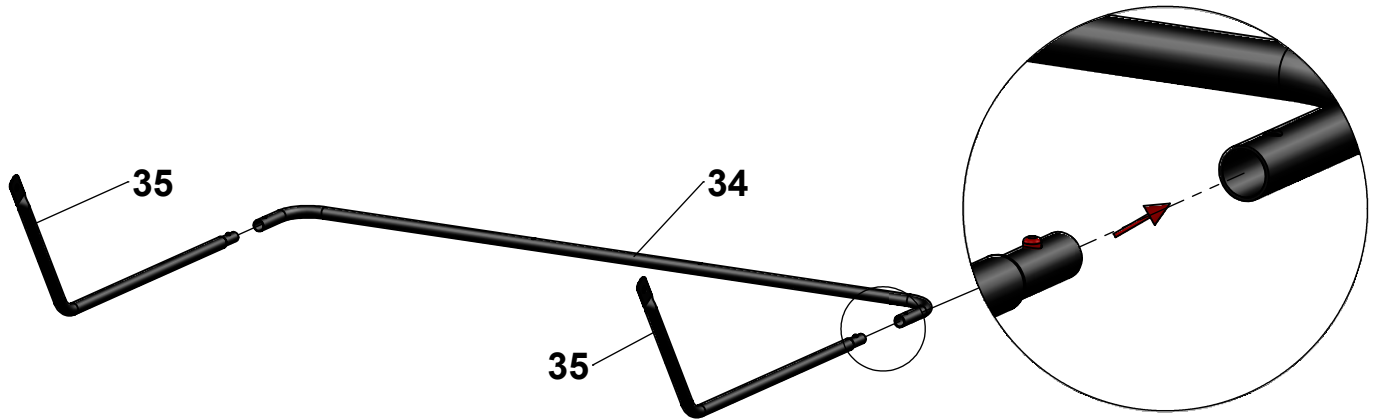


- 3** Attach Height Adjustment Handle Using a 9/16" Open End Box Wrench

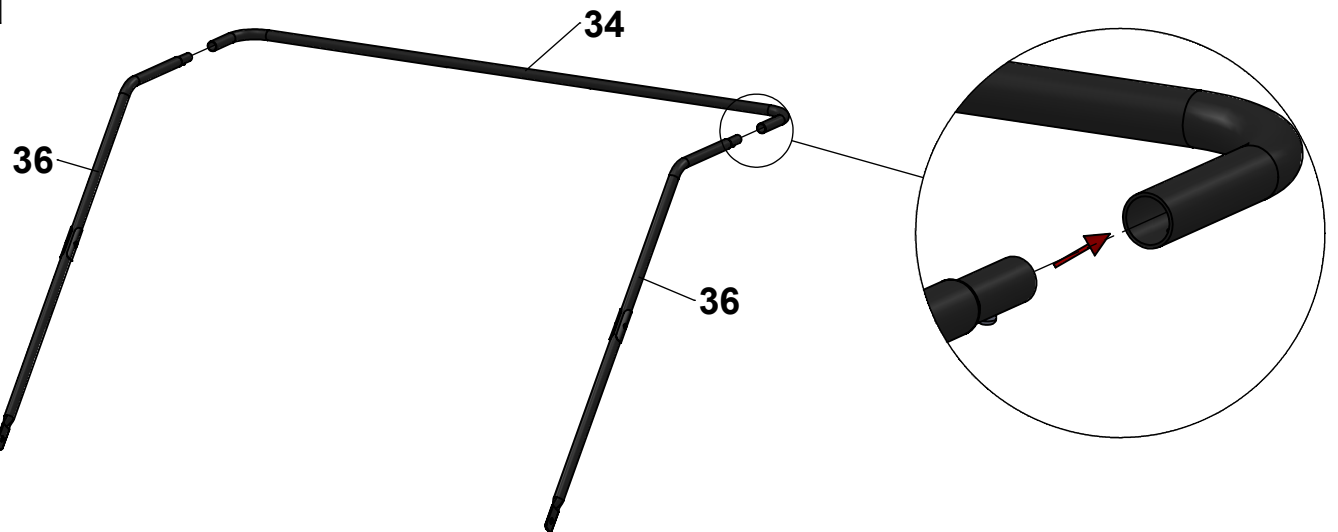


# Assembly Instructions

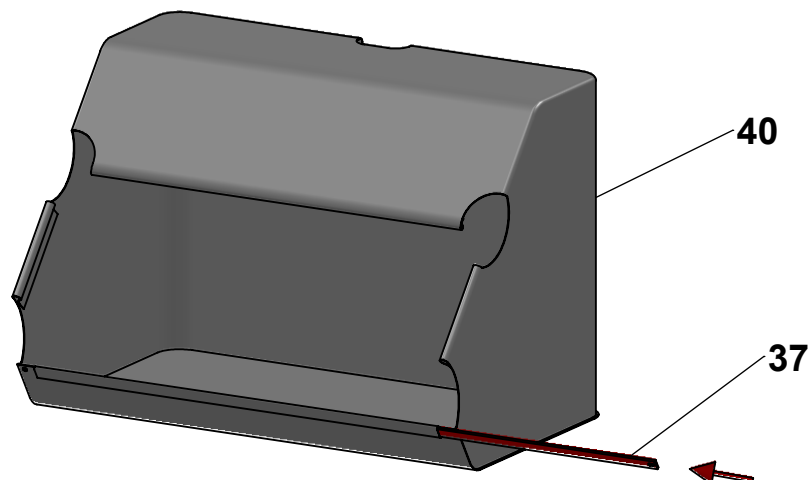
- 4** Insert Bottom Frame Tubes into Rear Frame Tube and snap into position.



- 5** Insert Top Frame Tubes into Rear Frame Tube and snap into position.

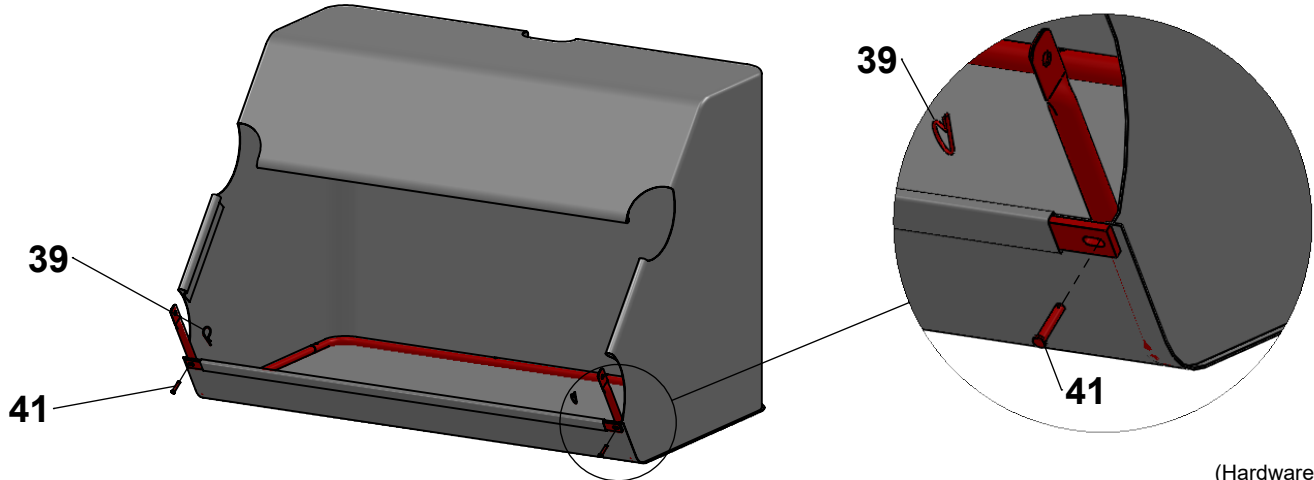


- 6** Slide Hopper Bar into pocket of Hopper Bag as shown.

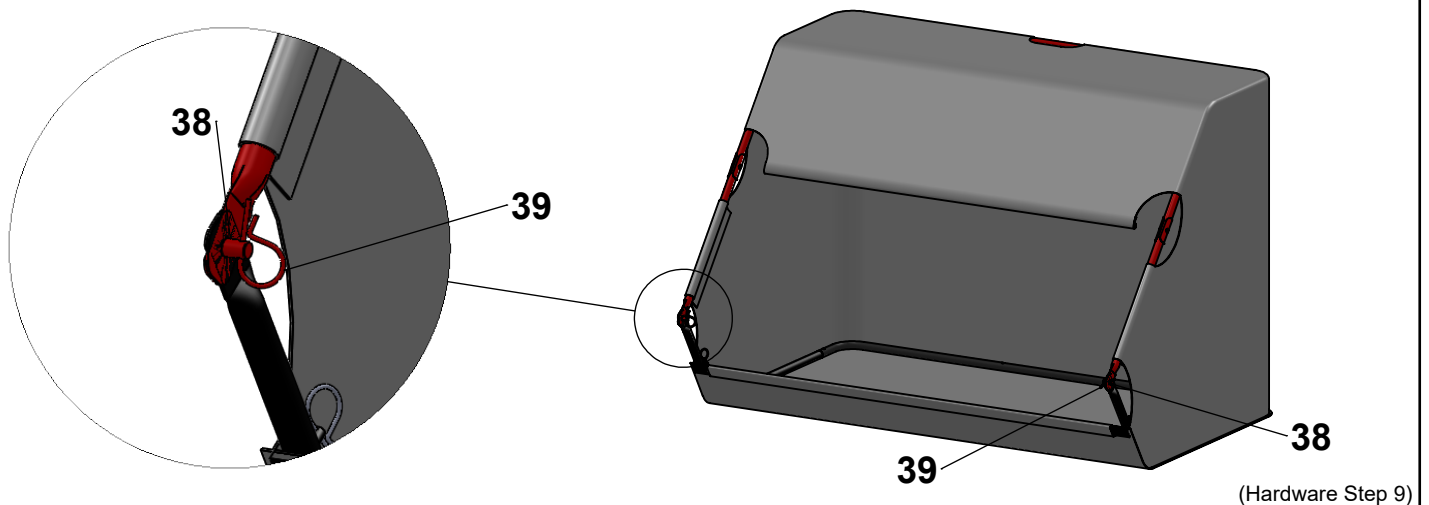


# Assembly Instructions

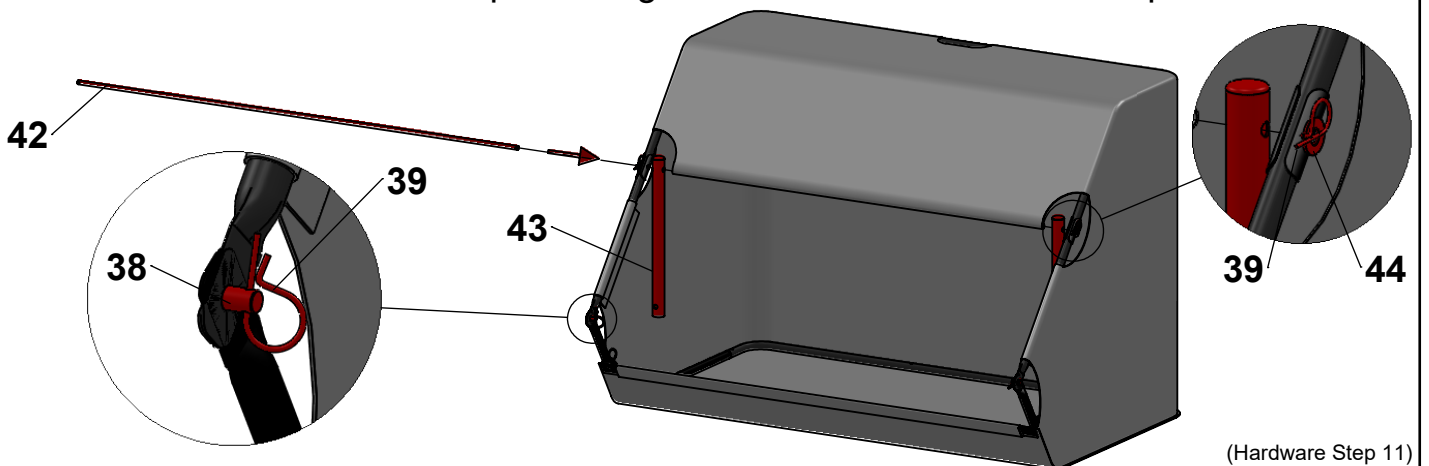
- 7** Place bottom frame assembly into Hopper Bag. Install Clevis Pins through Hopper Bag, Hopper Bar, and Bottom Frame Tubes and secure with Hairpins.



- 8** Place top frame assembly into Hopper Bag. Install Clevis Pins through Top Frame Tubes and Bottom Frame Tubes and secure with Hairpins.



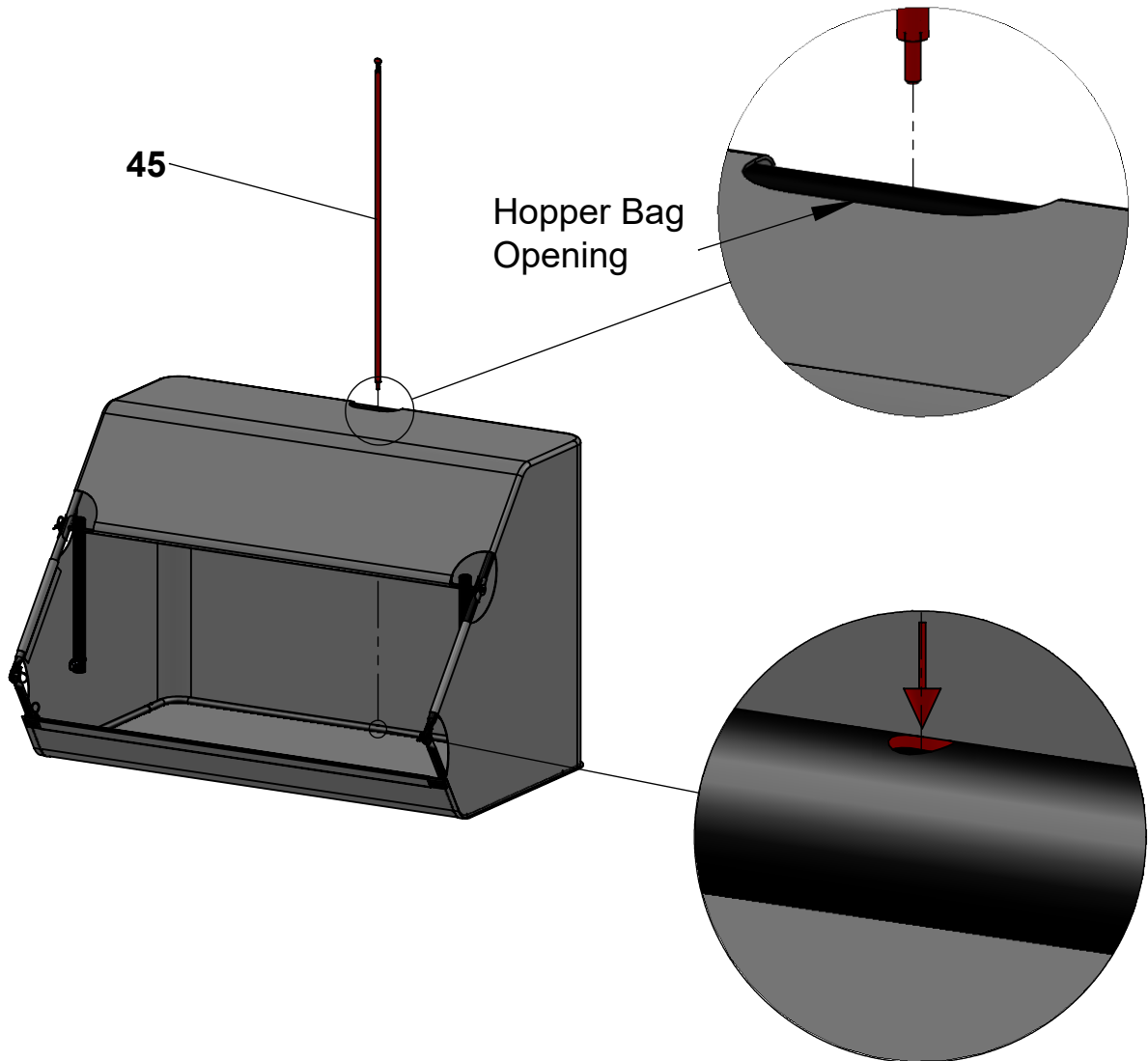
- 9** From one side, slide Pivot Rod through Top Frame Tube, Connecting Tube and pocket of Hopper Bag. After Passing all the way through the Hopper Bag pocket, thread Pivot Rod through other Connecting Tube and Top Frame Tube. Now Secure both protruding ends with a Washer and Hairpin Cotter.



# Assembly Instructions

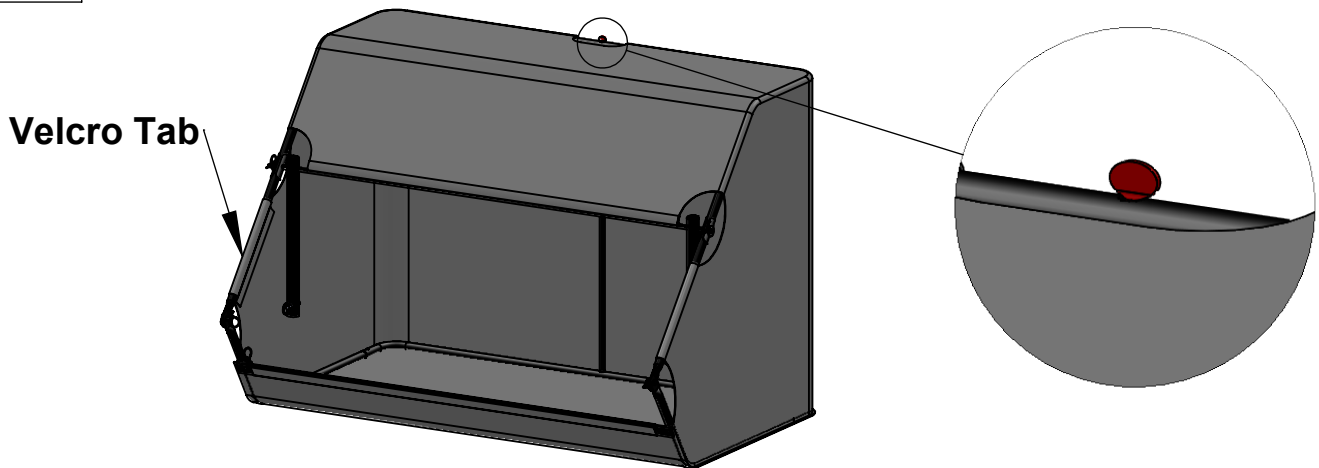
**10**

Hold Hopper Bag open and carefully insert Tension Tube through opening in top of hopper and into hole in Bottom Center Frame Tube.



**11**

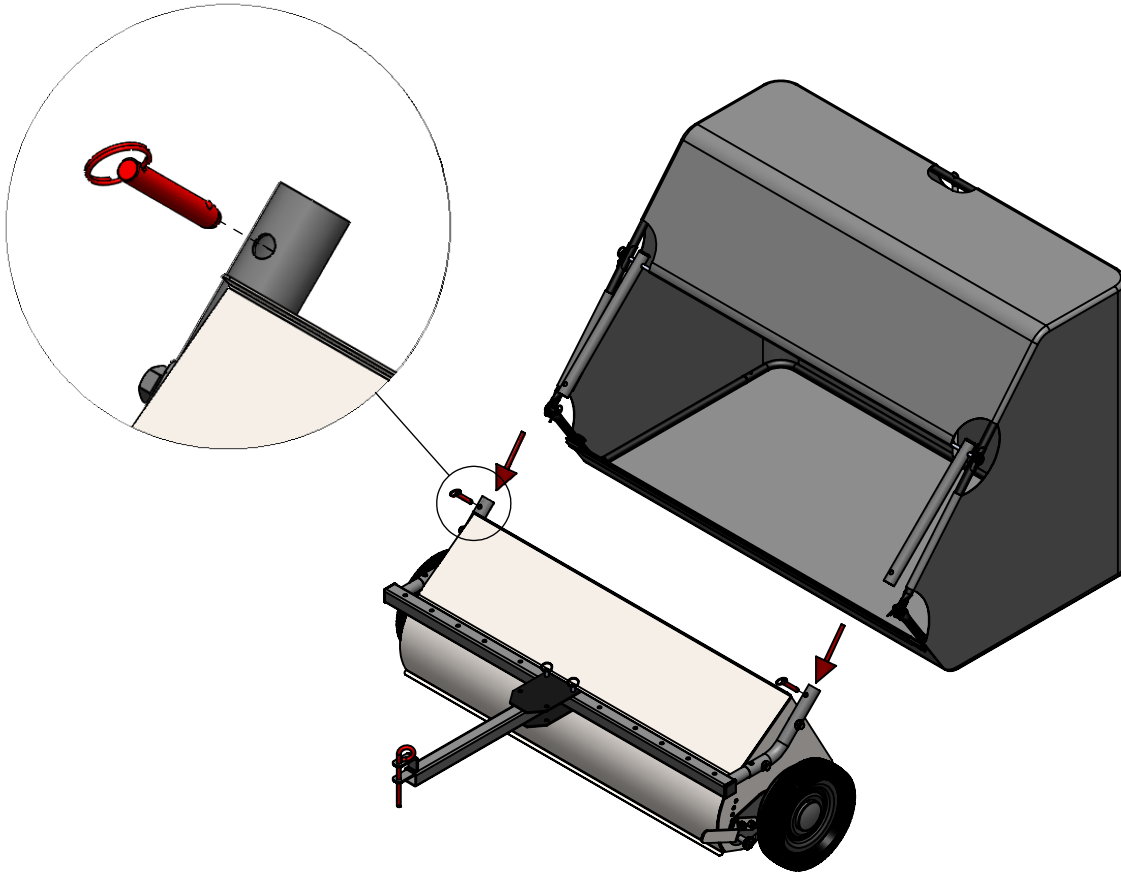
Lift Upper Center Frame Tube Over Tension Tube and Secure with Supplied Thumb Screw. Secure Hopper Bag around Top Frame Tubes with velcro tabs.



# Assembly Instructions

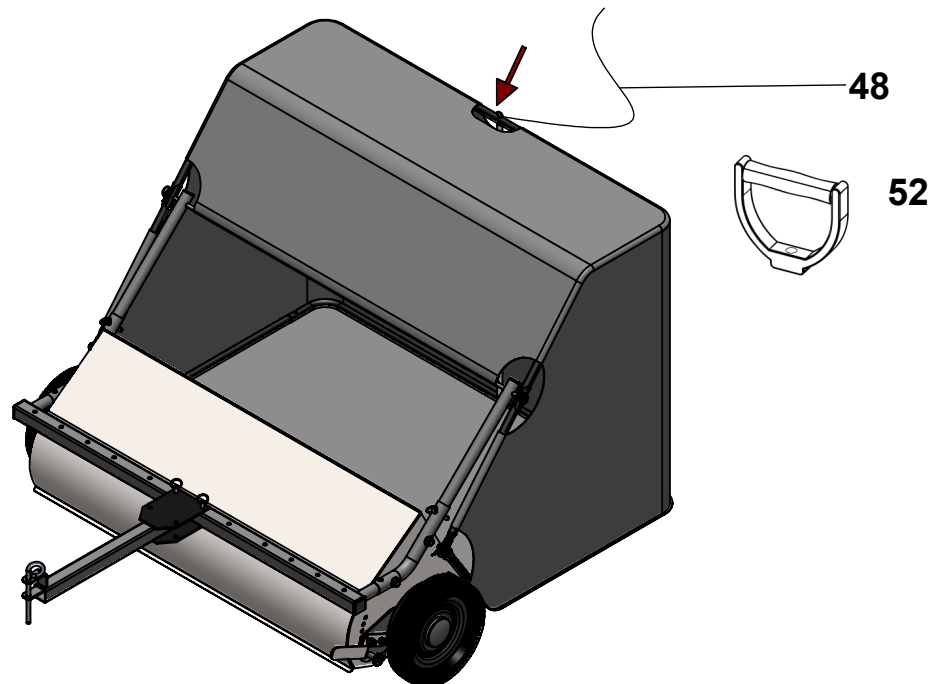
**12**

Insert Connecting Tubes into Short Hitch Tubes and secure with Quick-Release Pins. Install Hitch Pin and secure with Hairpin.



**13**

Tie Dump Rope securely around exposed section of Rear Frame Tube.





# ***Operating Instructions***

## **Before Using Lawn Sweeper:**

1. Read all Safety Rules found on page 1.

## **How to Sweep Lawn:**

1. Remove large debris from lawn.
2. Do not sweep if conditions are too wet or muddy.
3. Attach Lawn Sweeper to tractor using supplied hitch pin. The reversible hitch allows the Lawn Sweeper to accommodate varying tractor hitch heights by flipping over; choose the appropriate setting so that Lawn Sweeper hitch tubes are roughly level with the ground and Bag is not touching the ground.
4. Attach dump rope to tractor so that it cannot contact the brushes or wheels.
5. Start tractor engine and tow Lawn Sweeper to lawn in setting 7.
6. Adjust brush height so that brushes extend roughly 1/2" below the tips of the grass. For best performance, always set the brushes to highest effective setting to minimize resistance on brushes and wheels.
7. Engage tractor drive at its slowest speed and begin sweeping. Increase tractor speed as required to throw material to the back of the hopper bag. **DO NOT EXCEED 6 MPH.**
8. Sweep in straight lines whenever possible and avoid sharp turns.
9. Periodically check the sweeper while operating to ensure that wheels and brushes are rotating smoothly and that nothing is wrapped around the brushes or brush shaft.
10. When filled, the hopper bag can be emptied by pulling the dump rope forward.

## **How to Adjust Brush Height:**

1. Place one hand on adjustment lever and use other hand to pull outward on plunger.
2. Move handle downwards to lower the brush height or upwards to raise the brush height.
3. Align the plunger with the nearest hole and release to select height setting.

# ***Operating Instructions***

## **Offset Sweeping:**

1. Remove both pins from drawbar.
2. Slide drawbar on hitch cross tube to farthest holes on desired side.
3. Re-pin both pins.
4. Resume normal towing of sweeper.
5. During operation be mindful of wider towpath of sweeper

## **Storing Lawn Sweeper:**

1. Empty hopper bag and thoroughly clean Lawn Sweeper before storing.
2. Store Lawn Sweeper away from excessive heat to prevent damage.
3. Brushes must not contact ground during storage to prevent damage.
4. Remove quick-release pins to separate hopper bag from Lawn Sweeper.
5. Fold drawbar into storage mode and pin in place to secure.
6. Carefully remove tension tube and collapse hopper bag for compact storage.

## **Periodic Maintenance:**

- Tighten fasteners as needed before each use.
- Empty hopper and thoroughly clean Lawn Sweeper after each use.
- Remove any materials that have wrapped around brushes or brush shaft after each use.
- Lubricate wheel bearings and gears annually with a light coating of white lithium grease.

# Warranty

If this product fails due to a defect in material or workmanship within THREE YEARS from the date of purchase, we will at our option repair or replace it free of charge. This warranty excludes tires, wheels, brushes and bag, which are expendable and become worn during normal use.

**This warranty does not cover:**

- Repairs necessary because of operator abuse or negligence.
- Equipment used for commercial or rental purposes.
- Paint that is worn or faded due to normal use or exposure.

To arrange for product repair call 1-800-652-2321 to speak to our Customer Service Team, or return this product to place of purchase for replacement.

This warranty gives you specific legal rights, and you may also have other rights which may vary from state to state. This warranty applies only while this product is in use in the United States.

In the space below record the purchase date of your Lawn Sweeper.

Model Number **CC-4222LS** \_\_\_\_\_

Purchase Date \_\_\_\_\_

Retailer/Dealer \_\_\_\_\_

Purchase Price \_\_\_\_\_

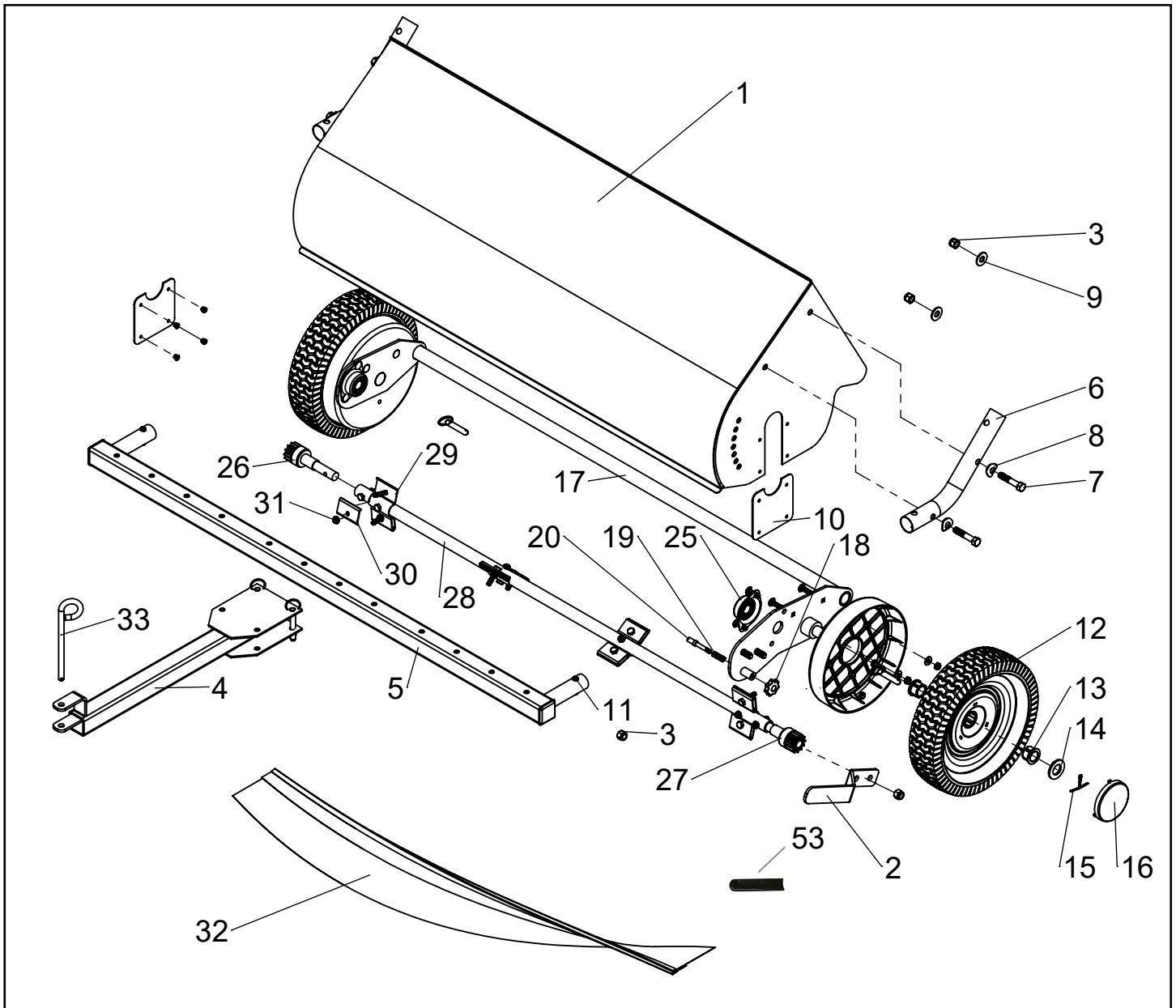
Keep this Owner's Manual and your receipt in a safe place for future reference.

Replacement parts may be ordered by calling **1-800-652-2321** .

When ordering replacement parts, always give the following information:

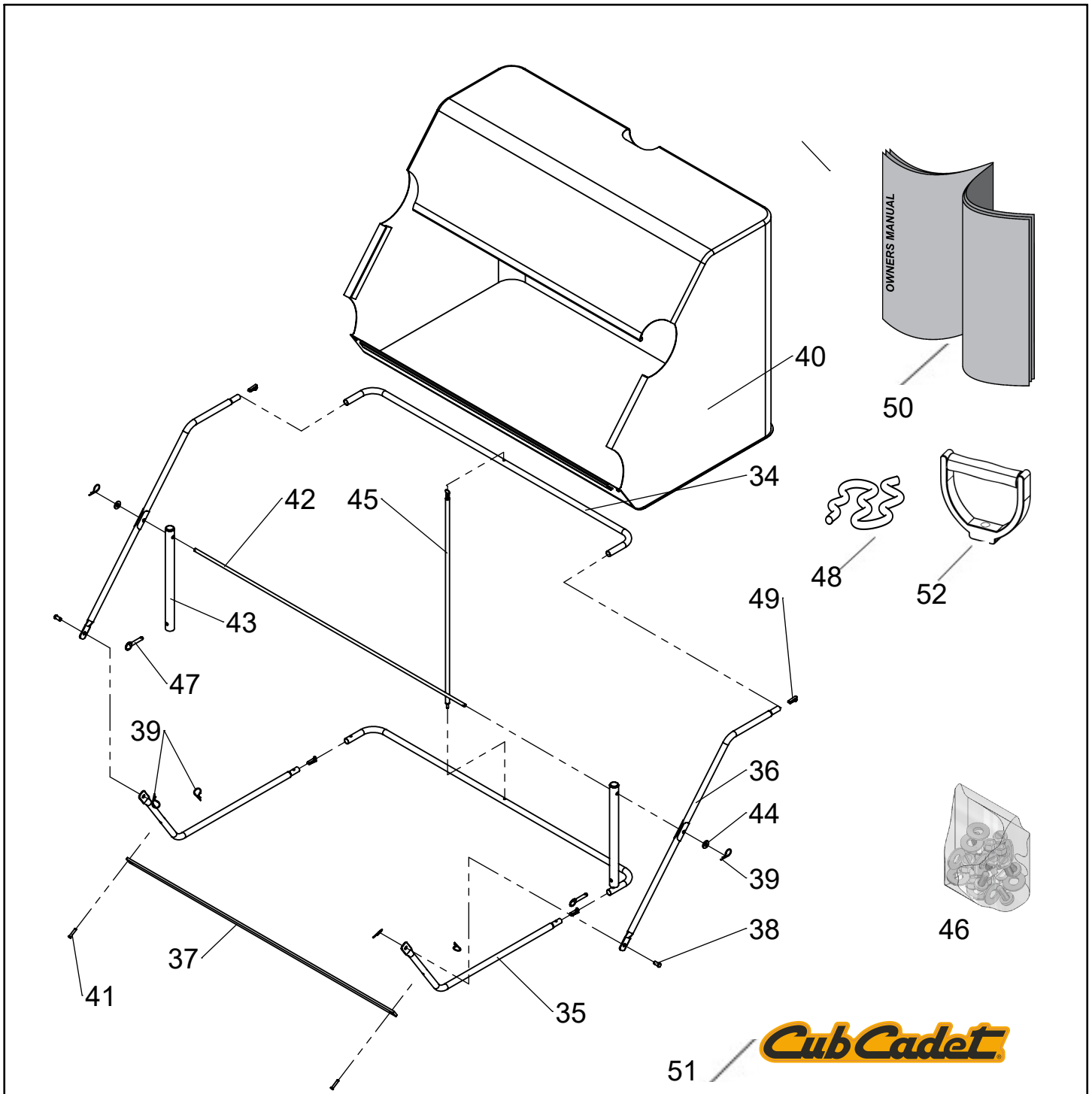
- Product **22 cu ft LAWN SWEEPER** \_\_\_\_\_
- Model Number **CC-4222LS** \_\_\_\_\_
- Part Number \_\_\_\_\_
- Part Description \_\_\_\_\_

# LAWN SWEEPER EXPLODED VIEW



ITEM	PART NO	DESCRIPTION	QTY.	ITEM	PART NO	DESCRIPTION	QTY.
1	6003945-Y	SWEEPER HOUSING	1	18	6004023	PLUNGER KNOB	1
2	6003957	HEIGHT ADJUSTMENT HANDLE	1	19	6004022	PLUNGER SPRING	1
3	310061	NYLON INSERT LOCKNUT, 3/8-16 UNC	6	20	6004020	PLUNGER PIN	1
4	6003965	HITCH WELDMENT	1	21	6000539	DUST COVER	2
5	6003953	HITCH CROSS TUBE ASSEMBLY	1	22	6000733	1/4" -20 X 1" CARRIAGE BOLT	8
6	307034	HITCH MOUNT TUBE	2	23	3000716	WASHER, 1/4" SAE	4
7	3000543	3/8"-16 X 2" HEX BOLT	4	24	300065	1/4" -20 LOCK NUT	22
8	3000722	CURVED WASHER, 3/8" USS	4	25	307023	HOUSING, BEARING	2
9	310073	WASHER, 3/8" USS	4	26	6000731	RIGHT PINION ASSEMBLY	1
10	4075502	LOCKING BRACKET	2	27	6000730	LEFT PINION ASSEMBLY	1
11	6000222	SNAP BUTTON	2	28	307124	SPIRAL BRUSH TUBE	1
12	307011	WHEEL (BUSHINGS INCLUDED)	2	29	307122	STEEL BRACKET	4
13	6000540	WHEEL BUSHING	4	30	307121	STEEL CLAMP	8
14	3000721	WASHER, 3/4" SAE	2	31	3000539	1/4" -20 X 1-1/4" BOLT	14
15	300081	COTTER PIN, 1/8" X 1-1/2"	2	32	307321	BRUSH	2
16	307241	WHEEL CAP	2	33	307082	HITCH PIN	1
17	6003949	WHEEL WELDMENT	1	53	6004248	VINYL GRIP FOR HANDLE	1

# HOPPER BAG EXPLODED VIEW



ITEM	PART NO	DESCRIPTION	QTY	ITEM	PART NO	DESCRIPTION	QTY
34	6003989	CENTER HOPPER FRAME	2	43	307032	CONNECTING TUBE	2
35	6000285	BOTTOM HOPPER FRAME	2	44	3000720	3/8" USS FLAT WASHER	2
36	6000284	TOP HOPPER FRAME	3	45	6004001	TENSION TUBE ASSEMBLY	1
37	307061	HOPPER STOP BAR	1	46	307133	BAG ASSEMBLY HARDWARE	1
38	3000818	CLEVIS PIN, 3/8" x 1/2"	2	47	3000823	QUICK-RELEASE PIN	2
39	307083	HAIRPIN COTTER	6	48	307361	NYLON DUMP ROPE	1
40	6004249	HOPPER BAG	1	49	6000208	SNAP BUTTON	4
41	3000820	CLEVIS PIN, 1/4" x 1-1/4"	2	50	6004082	OWNERS MANUAL	1
42	307051	HOPPER PIVOT ROD	1	51	6000175	LAWN SWEEPER DECAL	1

# **REPAIR KITS**

<b>KIT</b>	<b>KIT NUMBER</b>	<b>PART NUMBER</b>	<b>PART DESCRIPTION</b>	<b>QTY</b>
CC-4222LS FRAME KIT	6004133	6003989	CENTER HOPPER FRAME	2
		6000285	BOTTOM HOPPER FRAME	2
		6000284	TOP HOPPER FRAME	2
PINION BEARING KIT	6000828	307022	BEARING ASSEMBLY	2
		6000731	RIGHT PINION ASSEMBLY	1
		6000730	LEFT PINION ASSEMBLY	1
BAG ASSEMBLY HARDWARE	307133	3000820	CLEVIS PIN, 1/4" X 1-1/4"	2
		307083	HAIRPIN COTTER	6
		3000818	CLEVIS PIN, 1/4" X 1/2"	2
		3000720	3/8" USS FLAT WASHER	2
		3000823	QUICK RELEASE PIN	2
		307082	HITCH PIN	1
		307034	HITCH MOUNT TUBE	2
CONNECTING TUBE KIT	6004135	307034	HITCH MOUNT TUBE	2
1" SNAP BUTTON KIT	6004136	6000222	1" SNAP BUTTON	4
3/4" SNAP BUTTON KIT	6004137	6000208	3/4" SNAP BUTTON	4
DUST COVER KIT	6004138	6000539	DUST COVER	2
42" BRUSH KIT	6004139	307321	42" SWEEPER BRUSH	2
WHEEL BUSHING KIT	6004141	6000540	WHEEL BUSHING	4
TENSION TUBE KIT	6004001	6004001	TENSION TUBE ASSEMBLY	
CC-4222LS HOOD KIT	6004143	6003945-Y	SWEEPER HOUSING	1
		6003948	WHEEL ASSEMBLY	1
		4075502	LOCKING BRACKET	2
		307321	42" SWEEPER BRUSH	2

## **Customer Service 1-800-652-2321**

1. A description of the issue you are having
2. Photos of the issue that include an overall view and detailed view from multiple angles
3. If applicable, a short video showing the issue

**If you believe this is a warranty related issue please see the warranty page in this manual**

### **Replacement Parts:**

**If you are ordering replacement part(s) for your product, please note that some parts are only available as a repair kit. You can reach our Customer Service Department at 1-800-652-2321**

1. First locate the part on the Exploded View page (page 11 & 12)
2. Take note of the part number
3. If the part number is on the Repair Kits page, use the kit number to order your replacement parts
4. If the part number is not on the Repair Kits page, use the part number to order your replacement part

Designed And Tested In Columbus, Ohio  
Manufactured In The U.S.A. From Domestic  
And Imported Components



**MODEL # CC-4222LS**

(800) 652-2321

**(800) 652-2321**