



# Z825B1-XL

## Laboratory Faucet - Single

TAG \_\_\_\_\_

### Architectural/Engineering Specification:

Polished chrome-plated single laboratory faucet with integral shank, a quarter turn ceramic disc cartridge and a 6" cast brass swing spout. Unit is furnished with a standard 2.2 GPM aerator, a vandal-resistant color-coded handle, mounting hardware and a 1/2" NPSM coupling nut for standard lavatory riser.

Zurn Lead Free products (-XL) is the line of durable, high quality brass faucets and fixtures that are designed and manufactured to comply with Section 1417 of the Safe Drinking Water Act (SDWA) which mandates the weighted average lead content of no more than 0.25% of the wetted surface.

### Product Features:

- Heavy-duty Quarter Turn Ceramic Disc Cartridge
- Chrome-plated Cast Brass Body With Integral Shank
- Vandal-resistant Color-Coded Metal Handles

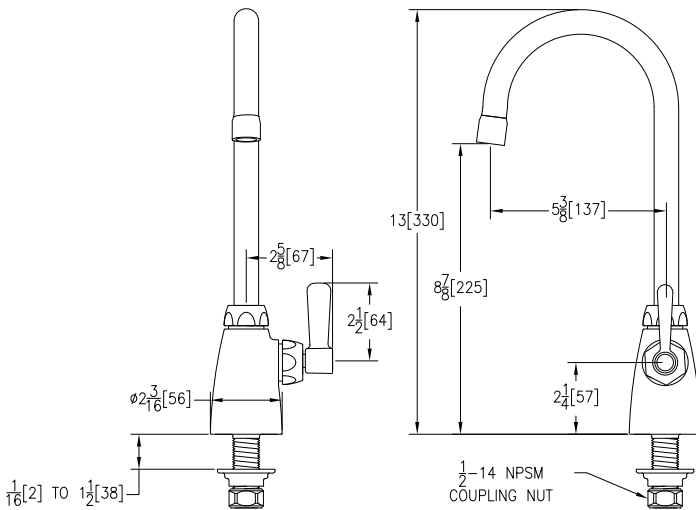
### Suffix Options:

- AR Anti-Rotation Pin
- FC 2.0 GPM [7.6 L] Laminar Flow Control in Base of Spout
- G 1-1/4" [32mm] Grid Strainer Drain



### Aerator Options:

	Flow rate GPM [LpM]	Vandal Resistant	Pressure Compression	Outlet Type
-2F	2.2[8.3]	✓	✓	Aerator
-3F	0.5[1.9]	✓	✓	Spray
-4F	2.2[8.3]	✓	✓	Laminar
-5F	2.0[7.6]	✓	✓	Aerator
-7F	1.0[3.8]		✓	Spray
-16F	1.0[3.8]	✓	✓	Spray
-17F	1.5[5.7]	✓	✓	Aerator
-18F	1.5[5.7]	✓	✓	Laminar
-20F	1.0[3.8]	✓	✓	Laminar
-22F	1.0[3.8]	✓		Laminar



Rough-in/Overview dimensions

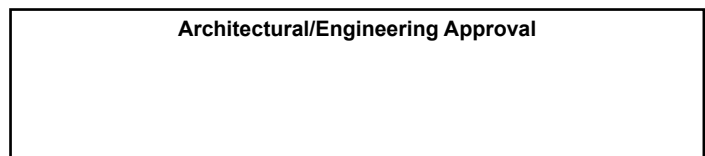
### Compliance and Certification:

- Low-Lead Compliant
- ADA Compliant



XL LEAD FREE

ADA DESIGNED



The information contained in this document is subject to change without notice. Please contact Zurn for most up to date information.