



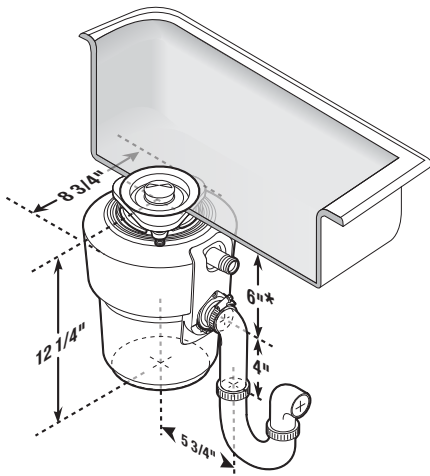
Food Waste Disposers

QUIET SERIES

Evolution Select®



Dimensions



*Add 1/2" when stainless steel sinks are used.

Submittal Sheet

This model offers the following features and benefits:

- **Lift & Latch™** technology for easier sink connection.
- **2-Stage MultiGrind® Technology** for tougher food scraps like chicken bones.
- **Highest Durability.** Alloy stainless steel components with LeakGuard Liner™.
- Noise reduction with **SoundSeal®** technology.
- Includes **Antimicrobial Quiet Collar®** sound reducing sink baffle.
- **Easy Install Kit.** Includes rubber sink gasket for a putty free installation, and power cord accessory.

Sample Specification

Food Waste Disposer(s) shall be InSinkErator Model Evolution Select® with MultiGrind® and SoundSeal® technologies, 5/8 HP motor, stainless steel grind components, rubber sink gasket and power cord accessory.

Warranty:
8-Year parts and in-home service.

* The complete InSinkErator warranty is included in the Care & Use Booklet packed with each unit.



Food waste is roughly 80% water. By using your disposal regularly, you can help divert food waste from landfills and reduce greenhouse gas emissions. Make sustainability a family affair by using your disposal. After all, the smallest changes can make the biggest impact.

Specifications

Type of Feed	Continuous
On/Off Control	Wall Switch
Motor	Single Phase
HP	5/8
Volts	120
HZ	60
RPM	1725
Amp. (Avg. Load)	7.6
Time Rating	Intermittent
Lubrication	Permanently Lubricated Upper & Lower Bearings
Shipping Weight (Approx.)	19.2 lbs.
Unit Finish	Black Enamel / Ruby
Overall Height	12-1/4"
SoundSeal Technology	Anti-Vibration Mount® Anti-Vibration Tailpipe Mount™ Antimicrobial Quiet Collar® Sink Baffle
MultiGrind Technology	GrindShear Ring®
Grind Chamber Capacity	34.6 oz.
Motor Protection	Manual Reset Overload
Average Water Usage	Approx. 1 Gallon Per Person Per Day
Average Electrical Usage	3-4 KWh Per Year
Drain Connection	1-1/2" Anti-Vibration (Hose Clamp)
Dishwasher Drain Connection	Yes

Job Specifications



The Emerson logo is a trademark and service mark of Emerson Electric Co. The mounting collar configuration is a trademark of Emerson Electric Co. Quick Lock® is a registered trademark of Emerson Electric Co.

InSinkErator may make improvements and/or changes in the specifications at any time, in its sole discretion, without notice or obligation and further reserves the right to change or discontinue models.

1-800-558-5700
www.insinkerator.com



Food Waste Disposers

Accessories

STS-OOSN

SinkTop Switch™ Dual Outlet

Convenient Alternative to a Wall Switch.

The stylish SinkTop Switch is air-activated and easily mounts to the sink or countertop. It is perfect for island installations and works with any disposer.

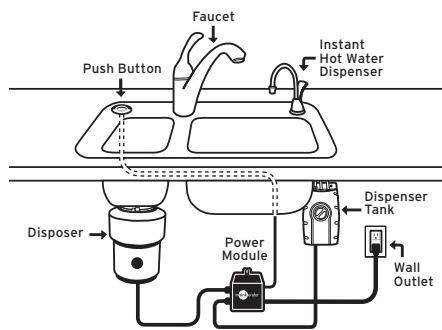


Submittal Sheet

- Air-activated
- Mounts easily to sink or countertop
- Available in dual and single-outlet design
- For use with all InSinkErator disposers
- The unique dual-outlet design makes it a great power source for a hot water dispenser
- Finishes available to match most decors
- **Available in these designer finishes:** Satin Nickel, Chrome*, White*, Gloss Black*, Biscuit*, Mocha Bronze*, Oil-Rubbed Bronze*, Matte Black*, French Gold*, Brushed Bronze*, Classic Oil-Rubbed Bronze*, and Polished Nickel* (*Special Order Finish)

Specifications

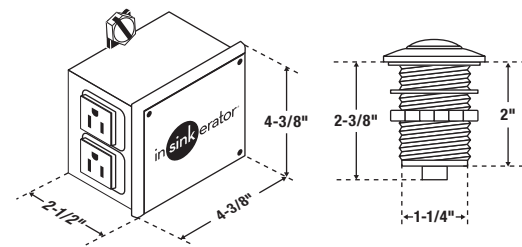
Kit Includes:	<ul style="list-style-type: none"> • Power module with cord • 6-foot-long air tube • Button: Satin Nickel • Mounting Hardware: 2 1" #8 screws and 2 anchors
Power Cord Length	33"
Required Hole Diameter	1-1/4"
Counter Thickness	2"



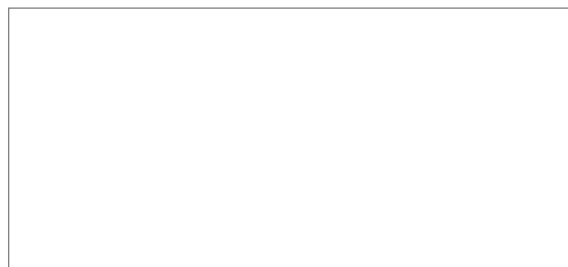
Warranty:

One Year over-the-counter replacement warranty.

Dimensions



Job Specifications



USA
1-800-558-5700
www.insinkerator.com

Canada
1-800-558-5700
www.insinkerator.ca

InSinkErator may make improvements and/or changes in the specifications at any time, in its sole discretion, without notice or obligation and further reserves the right to change or discontinue models.

© 2018 InSinkErator, InSinkErator® is a business unit of Emerson Electric Co. All Rights Reserved.