

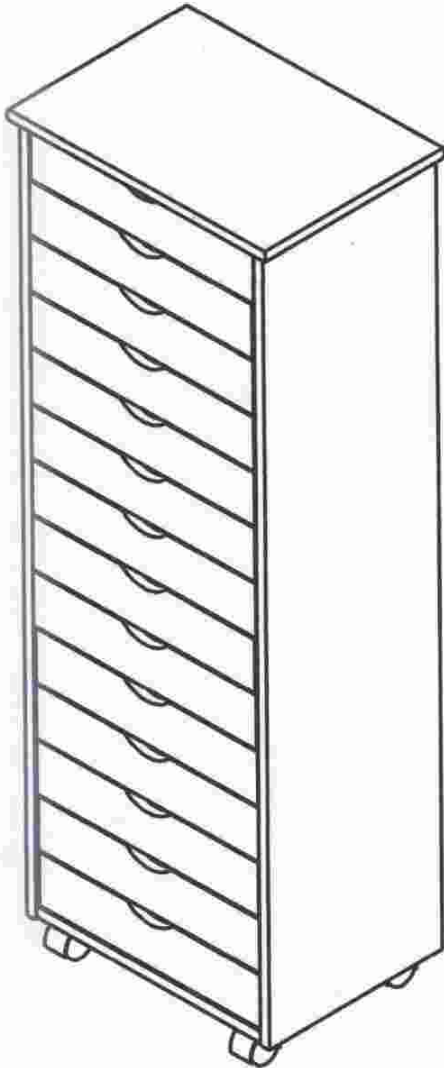
Stanton 14 Drawer Wide Cart

SKU # 0201110120 - DARK CHERRY

SKU # 0201110210 - BLACK

SKU # 0201110410 - WHITE

SKU # 0201110560 - OAK

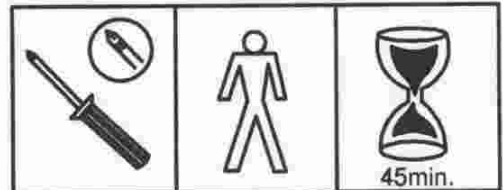


ATTENTION:



- HARDWARE PACK IS IN THE FIRST DRAWER.
- PLEASE ONLY REMOVE THE SHRINK WRAP AFTER THE CASTERS ARE FIXED AND UNIT IS UPRIGHT.

BEFORE BEGINNING ASSEMBLY, CHECK TO MAKE SURE ALL PARTS AND HARDWARE ARE ACCOUNTED FOR. IT IS SUGGESTED THAT YOU SAVE THE CARTON AND PACKING MATERIAL UNTIL AFTER ASSEMBLY IS COMPLETED. SELECT A CLEAN, SMOOTH SURFACE TO WORK (SUCH AS A CARPET), FOLLOW THE EASY STEPS BELOW.

***MADE IN THAILAND**



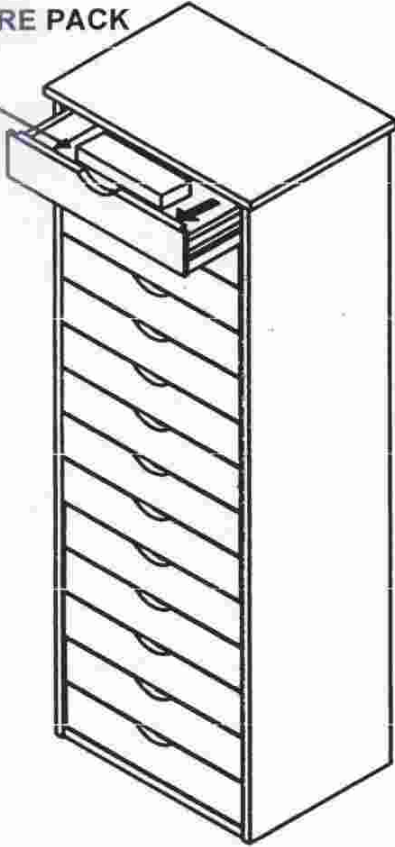
IF PARTS ARE MISSING PLEASE CALL "1-800-240-6047" FOR INFORMATION

A		16
B		04

Step 01

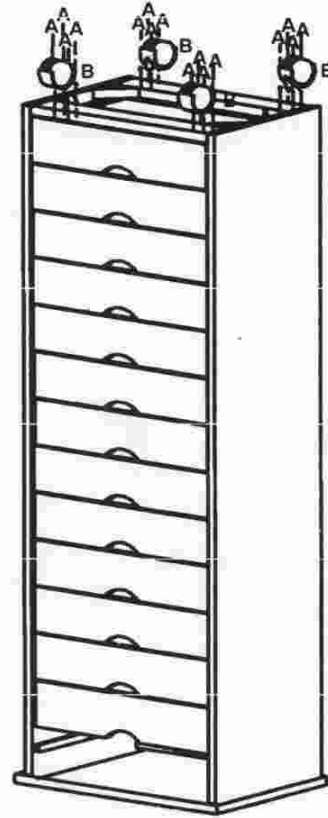
Remove top drawer from the cart and make sure you have all hardware as listed in the parts list. Do not put drawer back in at this time. Do not remove plastic shrink wrap yet.

HARDWARE PACK



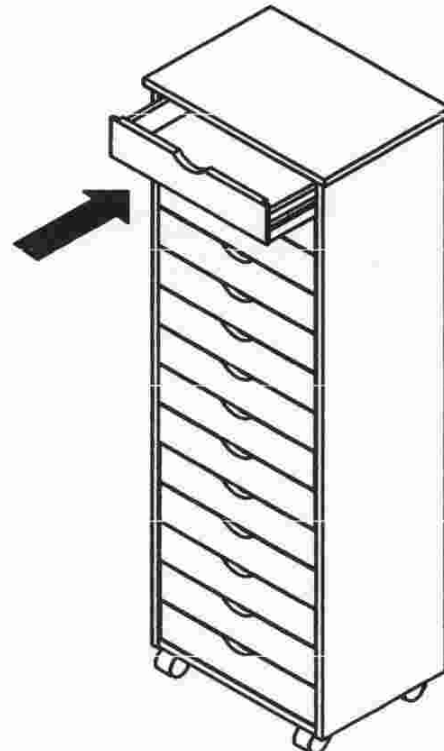
Step 02

Carefully place your Stanton cart upside down on a clean soft surface. Avoid scratching the top. Using pre drilled holes as your guide, align and attach all four wheels (B) to the bottom of the Stanton Cart as shown using screws (A)



Step 03

Carefully stand unit upright. Insert top drawer. Carefully remove the plastic shrink wrap. If you need to cut the shrink wrap off, do so on the back of the unit, not on the front, sides, or top.





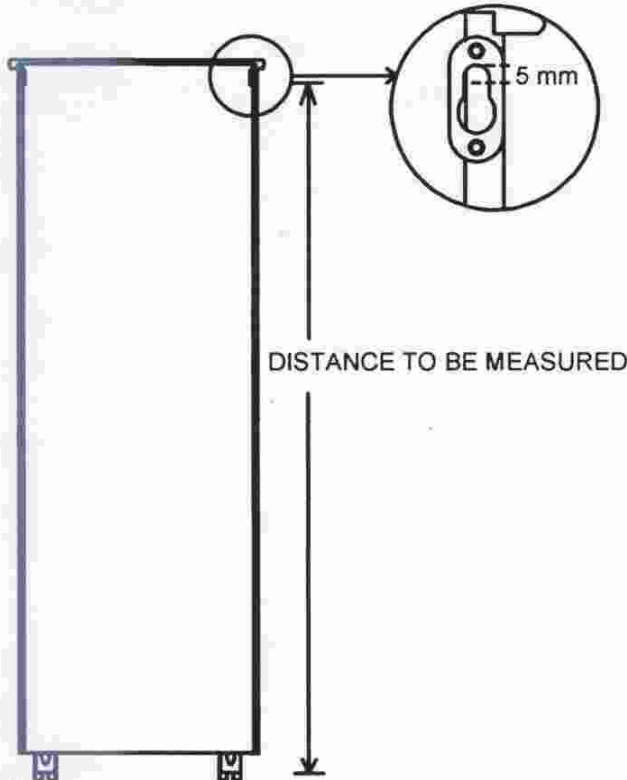
WARNING

To help prevent from tip-over, it's recommended to mount this unit to a wall using keyhole hangers provided.

However after keyhole hangers installed, kindly noted that it will cease a cart from movable's functions.

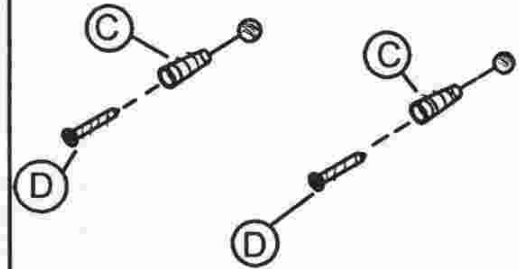
Follow three simple steps below if decide to install this anti-tip-over hardware;

C		2
D		2



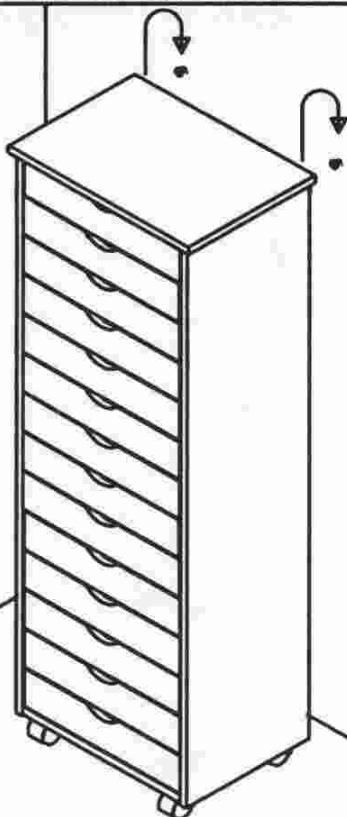
Step 1.

Measure a distance from ground to 5mm under top of a keyhole. Transfer to wall, mark and drill pilot holes. Repeat again for the other side keyhole hanger.



Step 2.

Insert plastic anchor (C) into pilot holes. Drive screws (D) into anchors leaving about 1/4" exposed.



Step 3.

Using two persons to lift a cart and carefully hang it on exposed screw-heads as shown in diagram.