



Installation Guide



TABLE OF CONTENTS

Installation Basics	3-4
Starter Course	5
Dual Offset Installation Method.....	6
Windows and Doors.....	7-8
Soffits/Termination	9
Transition	10-11
Outside/Inside Corners	12



INSTALLATION BASICS

Before you begin, take the time to read this entire guide to clearly understand the requirements and steps to follow for proper installation.

WARNING: The specifications in the guide apply to the installation of Grayne Engineered Shake and Shingle to exterior wall surfaces only.

Before you begin, consult your local building code for the installation requirements for shingle siding, breather membrane (housewrap), caulking, etc. Follow manufacturer's instructions for the breather membrane and caulking.

Failure to follow these installation requirements will void the warranties.

INSTALLATION BASICS

- Leave a minimum of 1/8" clearance at all openings and stops to allow for normal expansion and contraction. When installing in temperatures below 40° F/4.4° C, increase minimum clearance to 3/8" (9.5mm).
- When lapping panels, leave 1/8" gap at nailing hem (**FIG 1**).
- When installing a siding panel, push up from the bottom until the lock is fully engaged with the piece below it. The panels should not be under tension or compression when they are fastened. Allow the butt edge to rest on the top edge of the course below (**FIG 2**).

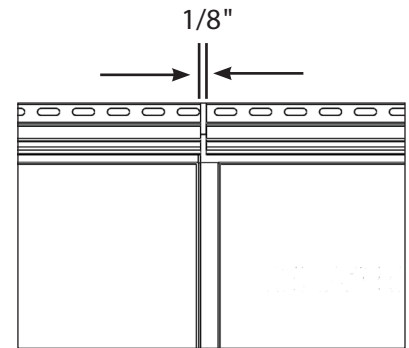


FIGURE 1

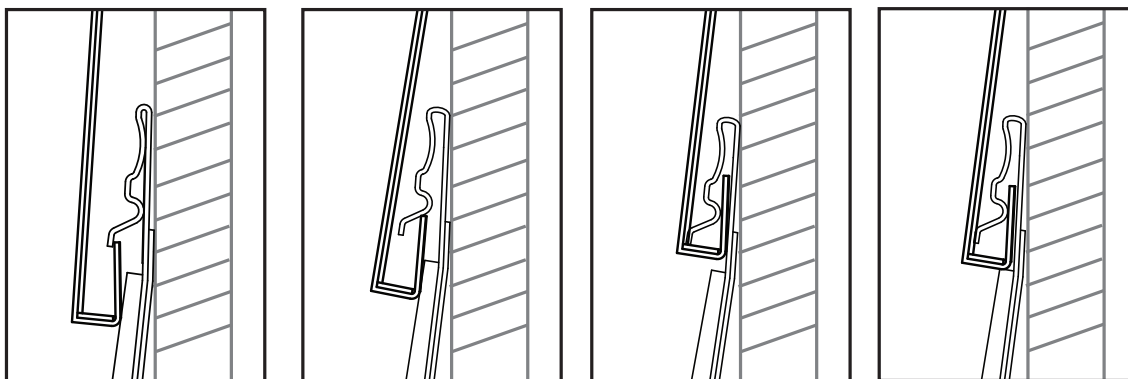


FIGURE 2

1. Align panels

2. Engage lock

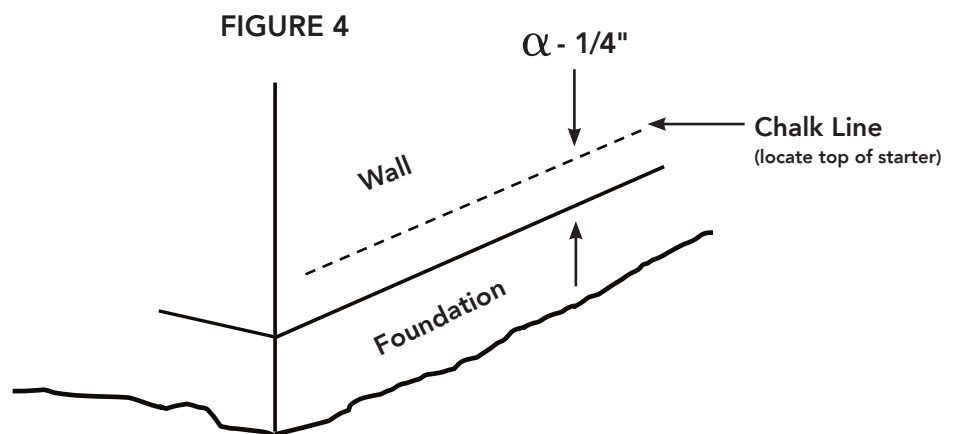
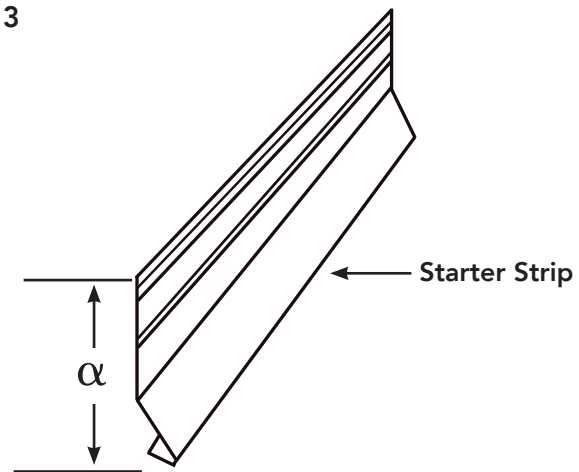
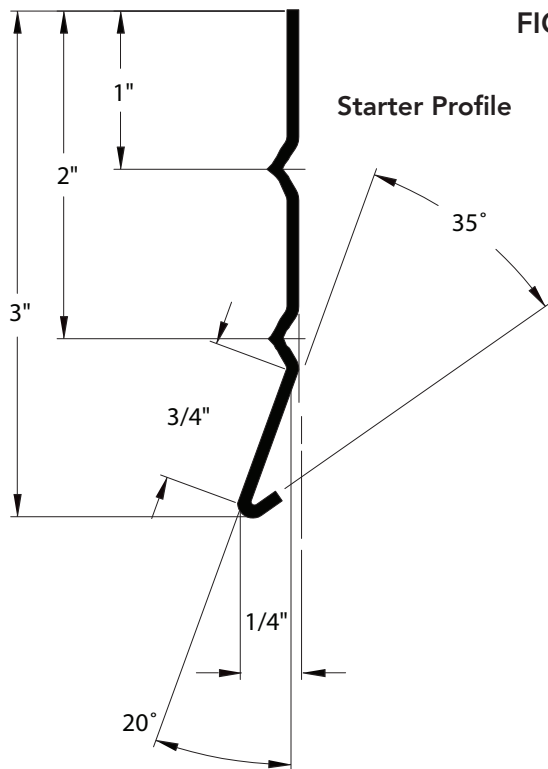
3. Press upward
to fully engage

4. Let top panel rest
on panel below

- Do not drive the head of the fastener tightly against the nail hem. Allow clearance between the fastener head and the siding nail hem (approx. 1/32"). Drive fasteners straight and level to prevent any restriction of the panel. Nail panels every 10".
- **Grayne Panel Fastener:** 3/8" (9.5mm) Head with .120" (3mm) Shank, fastener must penetrate 3/4" (19mm) beyond solid substrate. **Kleer Trim Fasteners:** Recommended Cortex system, optional using 6d & 8d stainless steel or hot-dipped galvanized nails 12" on-center and approximately 3/4" (19mm) from each edge. Use the proper quantity and size of fasteners that will penetrate the substrate at least 1-1/2". **Refer to trim manufacturing guide for additional installations techniques.**

STARTER COURSE

- If your using **Grayne Engineered Shingle or Shakes** for an entire wall, start by installing a starter strip.
- Determine the lowest point of the wall that will be sided; from that point measure up 1/4" (6.4mm) less than the width of the starter strip, use a chalk line to make a straight level reference mark (**Fig 3**). This location will position the top of the starter (**Fig 4**).

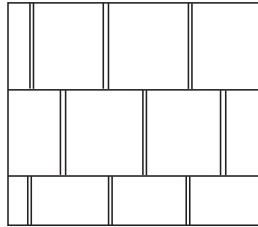


- Align the starter on the reference mark and fasten every 8" -12" (203mm-305mm).

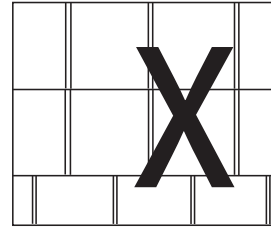
DUAL OFFSET INSTALLATION METHOD

- Dual offset installation methods ensures shingles will have proper "side laps".

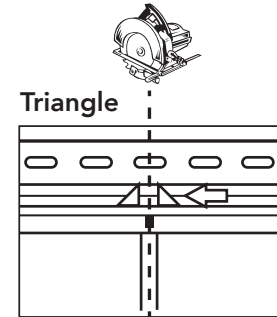
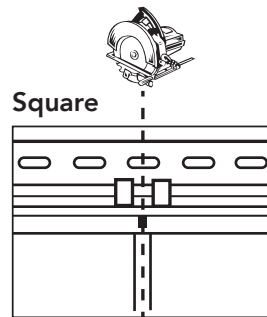
Correct Installation



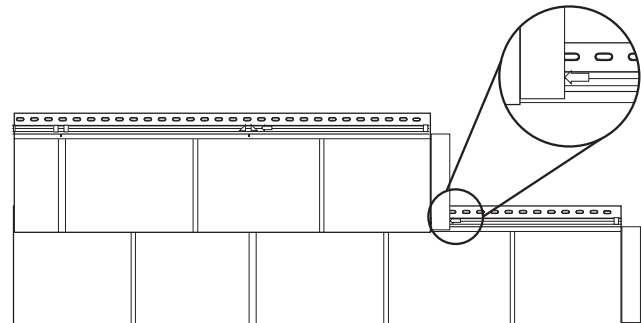
Incorrect Installation



- When starting a course, panels will be cut between the "cut marks".

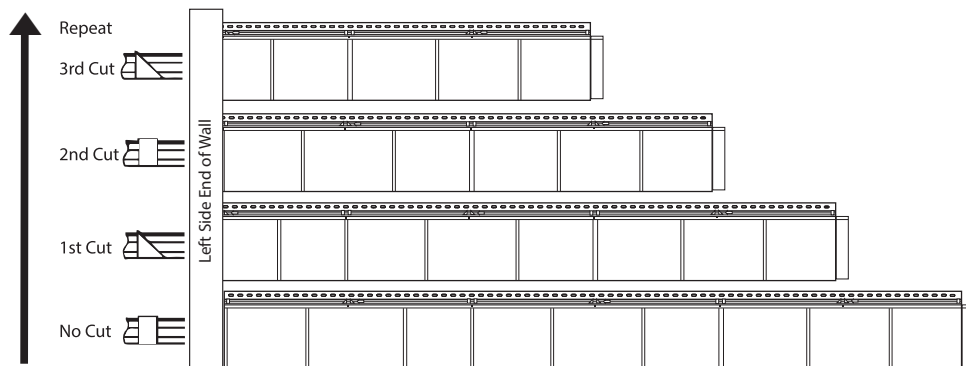


- The installed course should always end on the "panel end mark" of the course below.



This feature is useful around windows and doors

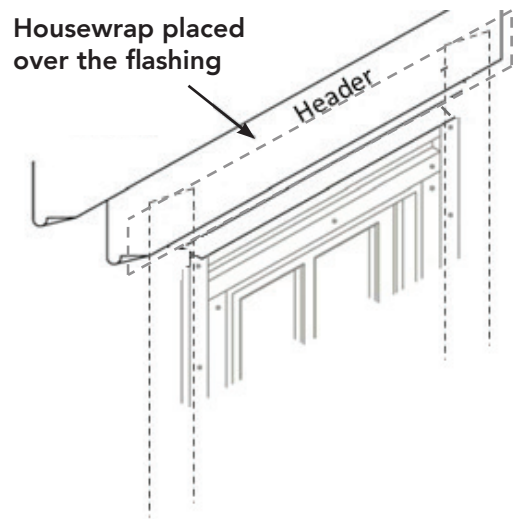
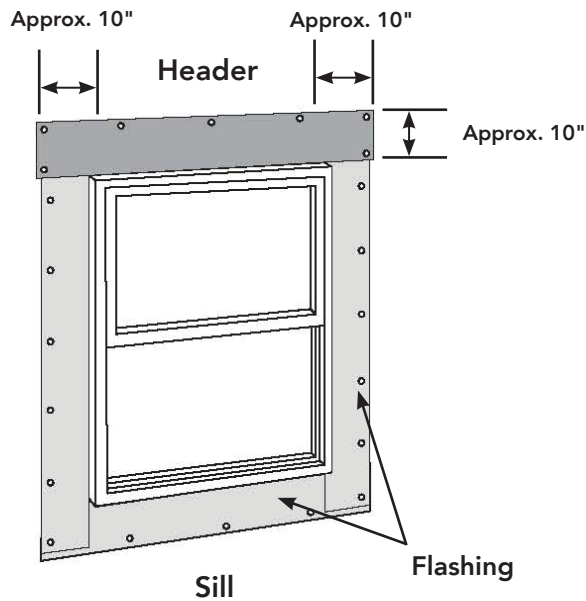
- Alternate between square and triangle cuts for the first course on the wall, this will ensure proper "side laps" for the entire installation.



WINDOWS AND DOORS

- If not using a window with a built in "J" pocket, we recommend using Klear Konceal Trim Board (or equivalent too) around windows and doors.
 - Use proper flashing methods to avoid water infiltration (**Fig 5**).

FIGURE 5



WINDOWS AND DOORS (cont.)

- Flashing should extend beyond face nails and/or trim nailing locations (Fig 6 & 7).
- Shims may be required to correctly position the siding panel projection to the wall. Shim thickness depends on location of custom trimming of the panel(s) for window sills and window or door headers (Fig 7).

FIGURE 6

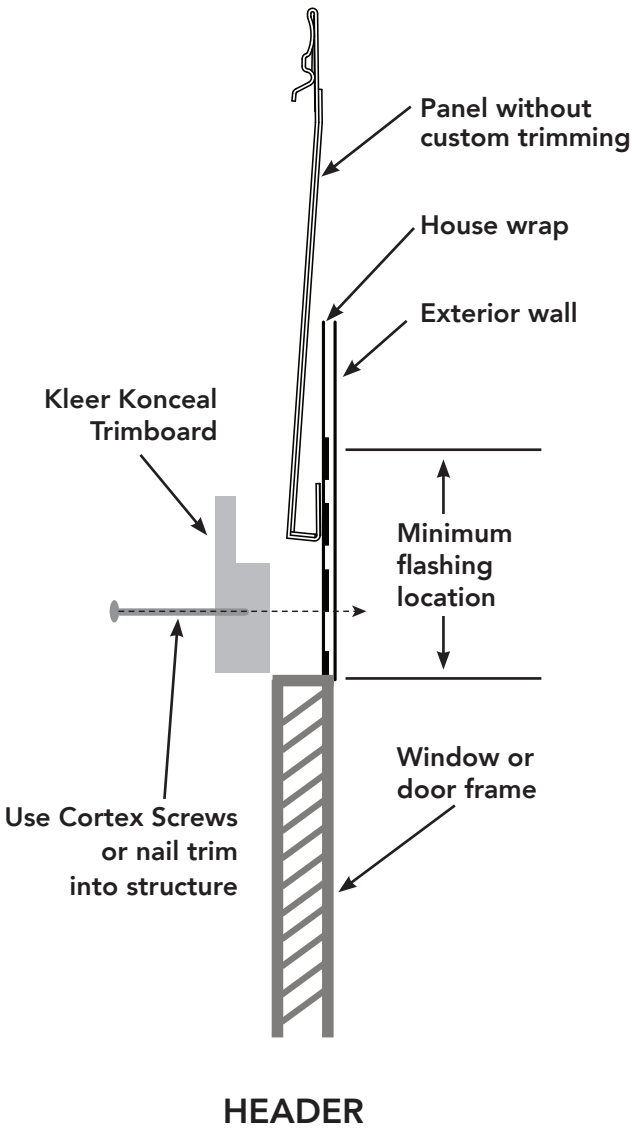
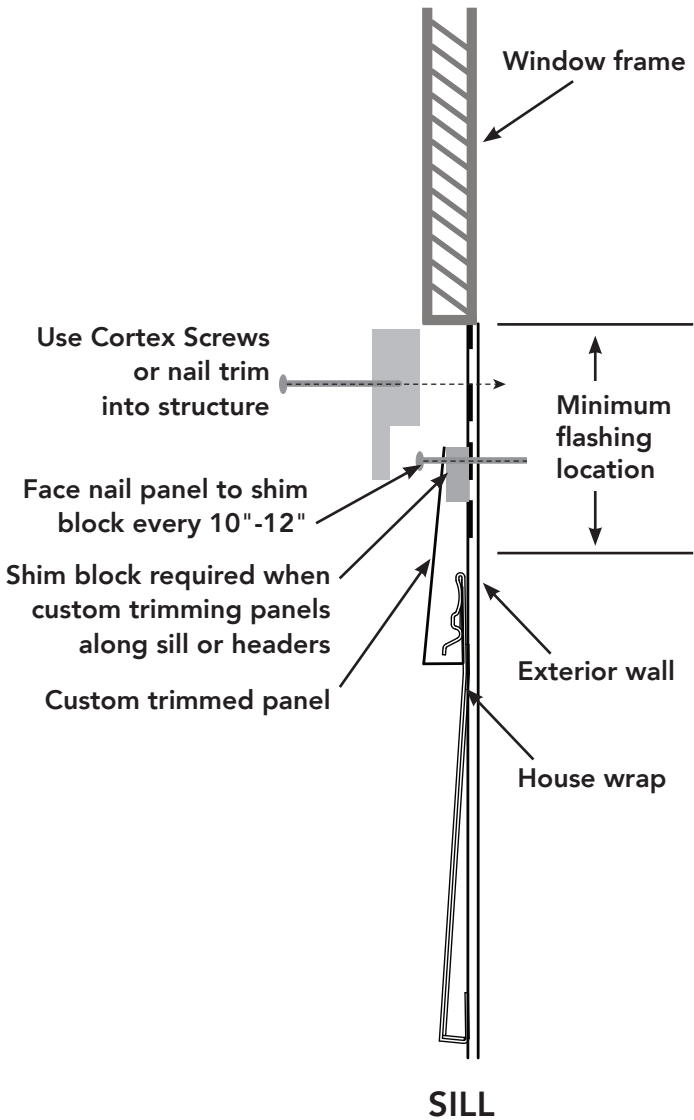


FIGURE 7



SOFFITS/TERMINATION

OPTION 1

- When using Klear Konceal Trim, shims may be required to correctly position the siding panel projection to the wall when custom trimming panel/s is required. Shim thickness depends on location of custom trimming of the panel/s (**Fig 8**).
- Face nail Grayne Panel into shim.

OPTION 2

- Place a trim/fascia board over the installed shingles. This is typically called "capping". A wood spacer is sometimes needed behind the fascia trim for a proper flush setting, as is the case with gables (**Fig 9**).

FIGURE 8

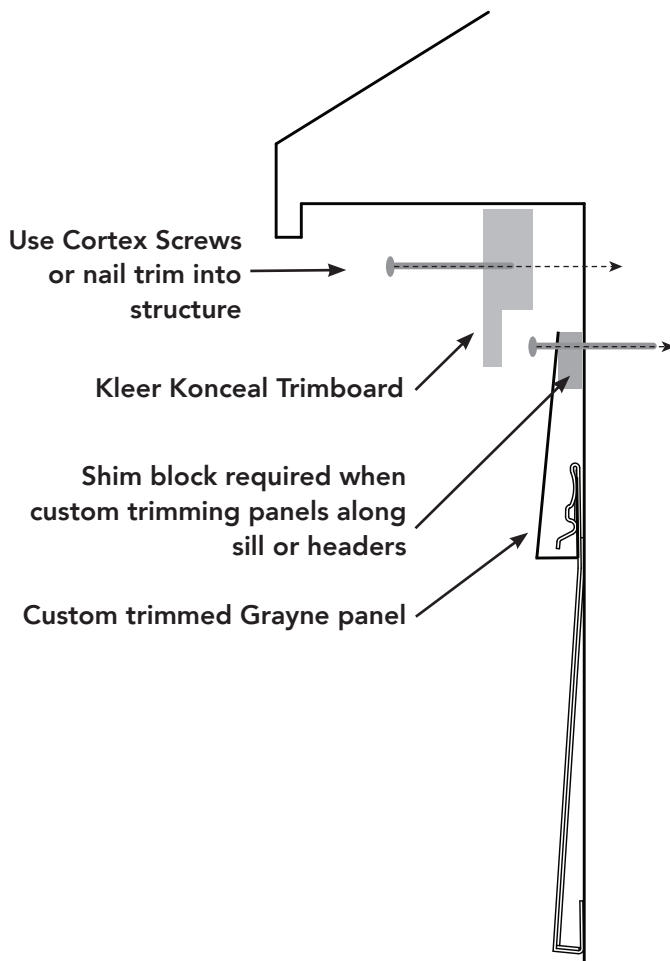
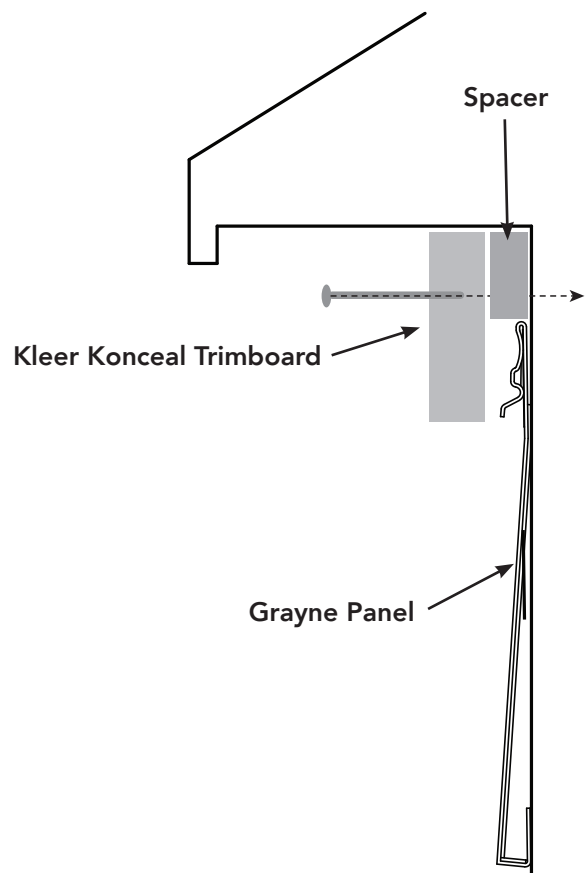


FIGURE 9



TRANSITION WITH BELLY-BAND

- Fig 10 demonstrates a transition application.
- In Fig 11 you will have up to 3/4" gap between the flashing and butt-end of the Grayne Siding Panel.

FIGURE 10

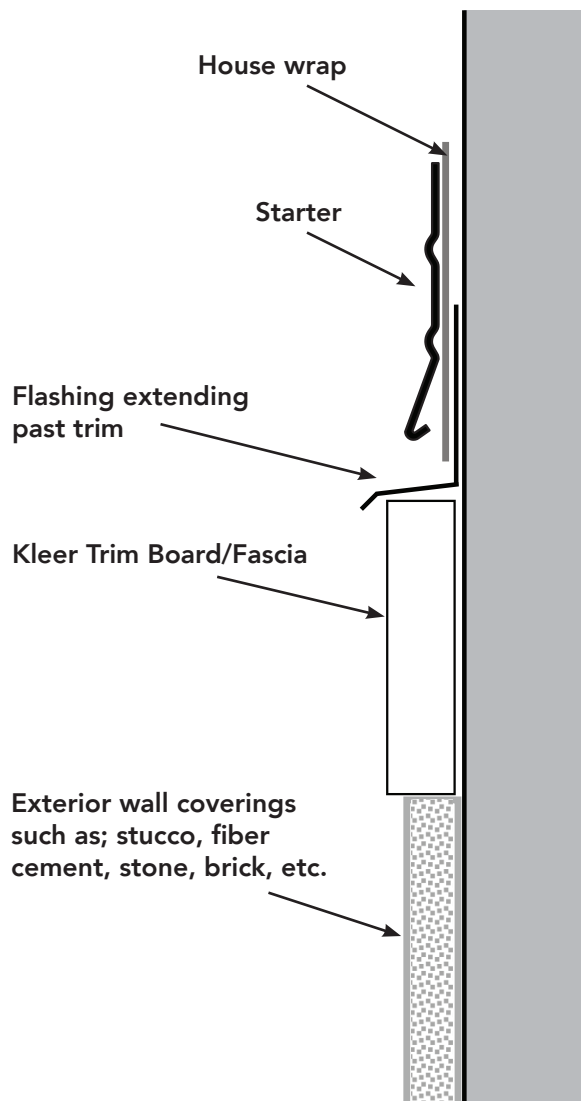
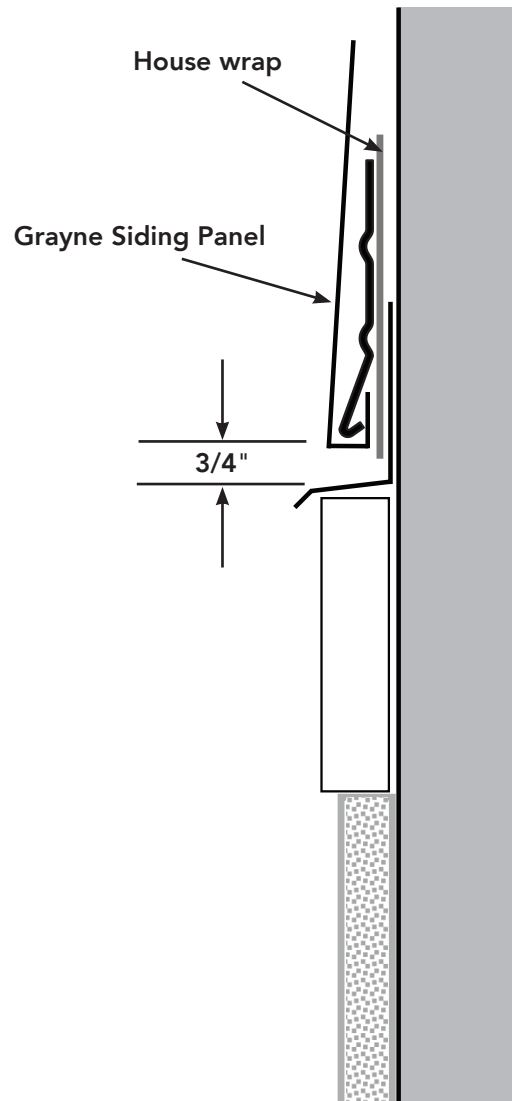
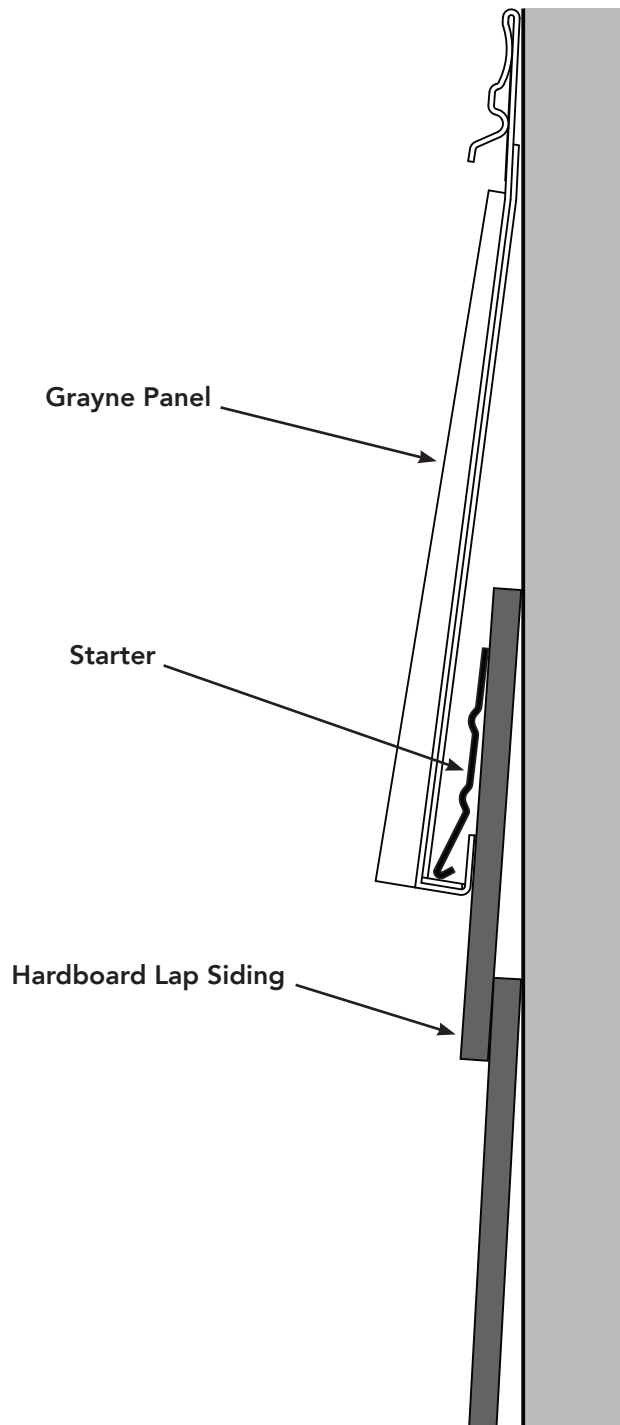


FIGURE 11



TRANSITION FROM HARDBOARD LAP SIDING

- Below demonstrates a transition application from Hardboard Style Lap Siding.



OUTSIDE/INSIDE CORNER

- Recommend using Klear Konceal Cornerboards or equivalent. **Refer to manufacturers installation guide for additional information.**
- All corner sheathing must be properly flashed prior to installing cornerboards (**Fig 12**).
- Outside and Inside corners must be installed prior to installing the Grayne Siding Panel.
- Inside corners you will need to rip-saw along the length of one of the trim boards the board thickness, to achieve an even reveal surface on each side (**Fig 13**).

