

IMPORTANT:
Read Before Using

IMPORTANT :
Lire avant usage

IMPORTANTE:
Leer antes de usar



Operating/Safety Instructions
Consignes de fonctionnement/sécurité
Instrucciones de funcionamiento y seguridad

231



DREMEL®

P.O. Box 1468 Racine, Wisconsin 53401

Call Toll Free for
Consumer Information
& Service Locations

Pour obtenir des informations
et les adresses de nos centres
de service après-vente,
appelez ce numéro gratuit

Llame gratis para
obtener información
para el consumidor y
ubicaciones de servicio

1-800-4-DREMEL (1-800-437-3635) <http://www.dremel.com>

For English Version
See page 2

Version française
Voir page 9

Versión en español
Ver la página16

Power Tool Safety Rules



WARNING

Read and understand all instructions. Failure to follow all instructions listed below may result in electric shock, fire and/or serious personal injury.

SAVE THESE INSTRUCTIONS

Work Area

Keep your work area clean and well lit. Cluttered benches and dark areas invite accidents.

Do not operate power tools in explosive atmospheres, such as in the presence of flammable liquids, gases, or dust. Power tools create sparks which may ignite the dust or fumes.

Keep by-standers, children, and visitors away while operating a power tool. Distractions can cause you to lose control.

Electrical Safety

Double-insulated tools are equipped with a polarized plug (one blade is wider than the other). This plug will fit in a polarized outlet only one way. If the plug does not fit fully in the outlet, reverse the plug. If it still does not fit, contact a qualified electrician to install a polarized outlet. Do not change the plug in any way. Double Insulation eliminates the need for the three-wire grounded power cord and grounded power supply system. *Before plugging in the tool, be certain the outlet voltage supplied is within the voltage marked on the nameplate. Do not use "AC only" rated tools with a DC power supply.*

Avoid body contact with grounded surfaces such as pipes, radiators, ranges and refrigerators. There is an increased risk of electric shock if your body is grounded. If operating the power tool in damp locations is unavoidable, a Ground Fault Circuit Interrupter must be used to supply the power to your tool. Electrician's rubber gloves and footwear will further enhance your personal safety.

Don't expose power tools to rain or wet conditions. Water entering a power tool will increase the risk of electric shock.

Do not abuse the cord. Never use the cord to carry the tools or pull the plug from an outlet. Keep cord away from heat, oil, sharp edges or moving parts. Replace damaged cords immediately. Damaged cords increase the risk of electric shock.

When operating a power tool outside, use an outdoor extension cord marked "W-A"

or "W." These cords are rated for outdoor use and reduce the risk of electric shock.

Personal Safety

Stay alert, watch what you are doing and use common sense when operating a power tool. Do not use tool while tired or under the influence of drugs, alcohol, or medication. A moment of inattention while operating power tools may result in serious personal injury.

Dress properly. Do not wear loose clothing or jewelry. Contain long hair. Keep your hair, clothing, and gloves away from moving parts. Loose clothes, jewelry, or long hair can be caught in moving parts. Keep handles dry, clean and free from oil and grease.

Avoid accidental starting. Be sure switch is "OFF" before plugging in. Carrying tools with your finger on the switch or plugging in tools that have the switch "ON" invites accidents.

Remove adjusting keys or wrenches before turning the tool "ON". A wrench or a key that is left attached to a rotating part of the tool may result in personal injury.

Do not overreach. Keep proper footing and balance at all times. Proper footing and balance enables better control of the tool in unexpected situations.

Use safety equipment. Always wear eye protection. Dust mask, non-skid safety shoes, hard hat, or hearing protection must be used for appropriate conditions.

Tool Use and Care

Use clamps or other practical way to secure and support the workpiece to a stable platform. Holding the work by hand or against your body is unstable and may lead to loss of control.

Do not force tool. Use the correct tool for your application. The correct tool will do the job better and safer at the rate for which it is designed.

Do not use tool if switch does not turn it "ON" or "OFF". Any tool that cannot be controlled with the switch is dangerous and must be repaired.

Disconnect the plug from the power source before making any adjustments, changing accessories, or storing the tool. Such preventive safety measures reduce the risk of starting the tool accidentally.

Store idle tools out of reach of children and other untrained persons. Tools are dangerous in the hands of untrained users.

Maintain tools with care. Keep cutting tools sharp and clean. Properly maintained tools, with sharp cutting edges are less likely to bind and are easier to control. Any alteration or modification is a misuse and may result in a dangerous condition.

Check for misalignment or binding of moving parts, breakage of parts, and any other condition that may affect tool operation. If damaged, have the tool serviced before using. Many accidents are caused by poorly maintained tools. Develop a periodic maintenance schedule for your tool.

Use only accessories that are recommended by the manufacturer for your model. Accessories that may be suitable for one tool may become hazardous when used on another tool.

Service

Tool service must be performed only by qualified repair personnel. Service or maintenance performed by unqualified personnel could result in a risk of injury. For example: internal wires may be misplaced or pinched, safety guard return springs may be improperly mounted.

When servicing a tool, use only identical replacement parts. Follow instructions in the Maintenance section of this manual. Use of unauthorized parts or failure to follow Maintenance Instructions may create a risk of electric shock or injury. Certain cleaning agents such as gasoline, carbon tetrachloride, ammonia, etc. may damage plastic parts.

Safety Rules for Router/Shaper Tables

Read and understand the tool manual and these instructions for the use of this table with your router. Failure to follow all instructions listed below may result in serious personal injury.

Position the tool with the switch in “easy” reach so you are not blindly searching for it. Power tool switches and controls need to be within your zone in emergency situations.

Fully assemble and tighten all the fasteners required for this table and mounting the tool. Do not use the router table until all assembly and installation steps have been completed. Also remember to occasionally check the table clamps and tool to make sure it is still tight. A loose table is unstable and may shift in use and cause serious injury.

Make certain the tool is not plugged into a wall outlet when installing into the table, making adjustments or changing bits. Accidental start-up of the tool can cause injury.

Before operating make sure the entire unit is placed on a solid, flat, level surface. Serious injury could occur if tool is unstable and tips.

Be certain tool is fully and securely clamped in the collar, periodically check the base fastener or clamping tightness. Adjustment

devices must be securely tightened. Tighten as necessary as the motor can loosen from the base due to vibration and may drop or fall unexpectedly when positioned upside down in a table.

After changing the bits or making any adjustments, make sure the collet nut and any other adjustment devices are securely tightened. Loose adjustment devices can unexpectedly shift, causing loss of control, and loose rotating components will be violently thrown.

Do not use the router table without the overhead guard. The guard will aid in keeping your hands away from the spinning blade in case of unintended contact with bit.

Never place your fingers under the guard or near the spinning bit. Never hold the workpiece on the out-feed side of bit. Pressing the workpiece against the out-feed side of the fence may cause material binding and possible kickback pulling your hand back into the bit.

Router bits are intended for wood, wood products and plastic only. Not for cutting or shaping metals. Be sure the workpiece does not contain nails, etc. before routing. Cutting a nail or the like will cause the carbides

to be dislodged, fly toward the operator side, and possibly strike you or bystanders.

Match the appropriate bit and its speed to your application. Do not use bits that have a cutting diameter that exceeds the capacity of the tool. Overloading the tool can lead to personal injury or tool failure.

Position and securely clamp the router bit in the collet before making any cuts. If the bit becomes loose during operation, it may fly up and away from table possibly striking you or bystanders.

Never use dull or damaged bits. Sharp bits must be handled with care. Damaged bits can snap during use. Dull bits require more force to push the workpiece, possibly causing the bit to break or material to kick back.

The router table is primarily designed to cut flat, straight and squared materials, we do not recommend cutting material that is warped, wobbly or otherwise unstable. If the material is slightly curved cut the material with the concave side against the table or fence. Cutting the material with the concave side up or away from table may cause the warped or wobbly material to roll; causing you to lose control; kickback and serious personal injury may result.

Never start the tool when the bit is engaged in the material. The bit cutting edge may grab the material causing loss of control of the workpiece.

Feed the workpiece against the rotation of the bit. The bit rotates counter-clockwise as viewed from the top of table. Feeding the work in the wrong direction will cause the workpiece to "climb" up on the bit and may lead to loss of control during operation.

Use push sticks and other jigs to hold down the workpiece and keep your hands away from the spinning blade. Router cuts are blind cuts but the bit still protrudes through the table and you must be aware of the position of your hands relative to the spinning bit.

Use of auxiliary in-feed and out-feed supports is strongly suggested for long or wide workpieces. Long workpieces can flip off the table or cause the table to tip over if not fully supported.

Use the adjustable fence in straight cutting applications. When routing along an entire edge of the work, the fence and adjustable support wedge will help maintain stability.

Do not place material between router bit and the fence while routing the edge. This placement may cause the material to become wedged, making kickback possible.

Never touch the bit during or immediately after use. Contact with a spinning bit will cause injury and after use the bit is too hot to be touched by bare hands.

Do not use the table as workbench or worksurface. The table is not intended to be used as a workbench or work surface other than for routing material. Using it for purposes other than routing may cause damage and make it unsafe to use in routing.

Never stand on the table or use as ladder or scaffolding. Serious injury could occur if the table is tipped or the cutting tool is accidentally contacted. Do not store materials on or near the table such that it is necessary to stand on the table or its stand to reach them.

Use only Dremel replacement parts and accessories. Any others may create a hazard.

Shaper/Router Table, Model 231

**ATTACHMENT FOR USE WITH DREMEL ROTARY MODELS
100, 200, 300, 400XPR, 275, 285, 395, 398, 800, 4000, 8200**

ATTENTION: Read entire instruction manual carefully before using your Dremel Shaper/Router Table. Retain instructions for future reference. This attachment will convert

Dremel Rotary Tools to a Shaper/Router Table for edge forming, routing, grooving, shaping, sanding edges, jointing, etc

Mount Table to Workbench

The **SHAPER/ROUTER TABLE** comes assembled ready to mount to the workbench. After determining table location, predrill the bench using a 1/8" diameter drill at the four mounting hole locations. Secure table to the bench using the **(4) #10 x 1" wood screws**, and **washers**. (Included with the Shaper/Router Table). (See Fig. 1)

Alternative mounting option: To make your shaper table more portable, mount to piece of 2" x 4". Then easily clamp to your workbench as shown in Fig. 1.

Install Rotary Tool to Table

1. Loosen the **clamp knob** and turn **depth adjustment knob** to lower tool holder.
2. With the Rotary Tool unplugged from a power source, remove the threaded housing cap off of tool and set housing cap aside. The housing cap must be reinstalled when not using Shaper/Router table.
3. Place tool into attachment with shaft lock button and on/off button facing forward.
4. Thread locking nut clockwise onto the threaded portion of your Rotary Tool and securely tighten with the provided wrench (See Fig. 2).

WARNING Read and understand these instructions and the tool manual before using this accessory.

Fig. 1

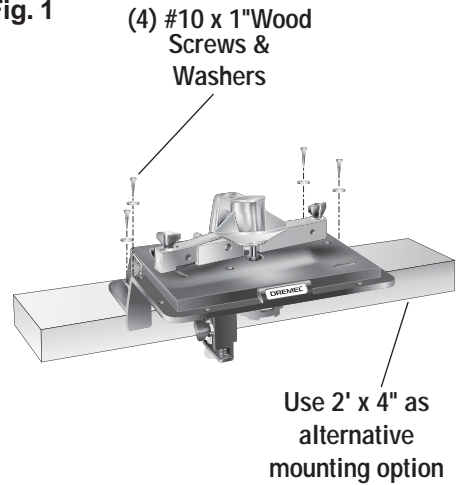
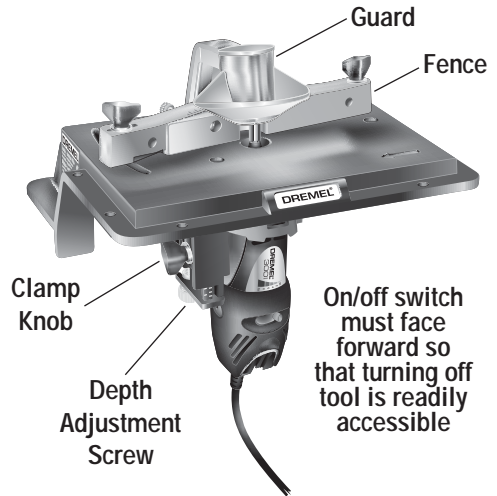


Fig. 2



Installing Router Bits

1. When installing router bits, be sure the power cord is unplugged, then remove the tool from the Shaper/Router Table. Fit the router bit shank into the collet allowing a maximum of 5/8" to protrude past the collet nut. Use the shaft button on your rotary tool and wrench to secure the bit. (See Fig. 3)
2. Loosen the **clamp knob** and turn the **depth adjustment screw** to set cutting depth. Depth of cut will be the amount the bit extends above the **shaper/router table**.

Cutting Depth Adjustment

Adjustment markings on the side of the tool holder facing outward are marked in inches and millimeters. View the markings prior to starting your project. Turn the depth adjustment screw to set desired depth. To ensure proper settings, rout and measure cut on scrap material. (See Fig. 4)

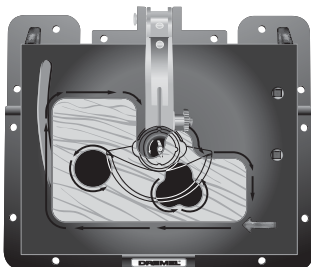
Router Feed Direction

The router spindle turns in a counter clockwise direction when viewed from above the table. For best control and quality of cut, feed the work into the bit in the direction that the bit will tend to pull the work to the fence. (Incorrect feed direction will result in the bit trying to pull the wood through faster than you want. This is called climb cutting.) Feed the workpiece from right to left as shown. Feed direction is extremely important when using a pilot bit freehand on the edge of a workpiece as well as when using the fence with all bits. (See Fig. 5)

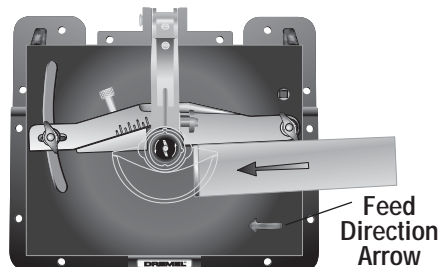
Routing Table Tips

1. Wrong Direction – Hard to control.
2. Feeding too fast – Overloads motor.
3. Dull bit – Overloads motor.
4. Cutting too large or deep in one pass – Overloads motor.
5. Feeding too slow – Leaves friction burns on work.

Fig. 5



Feed Direction Without Fence



Feed Direction With Fence

Fig. 3

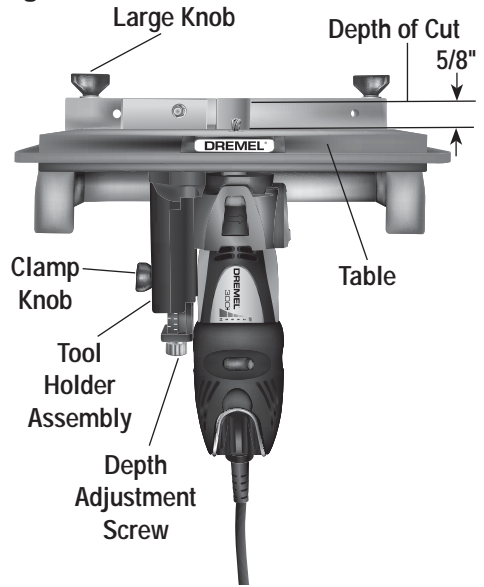
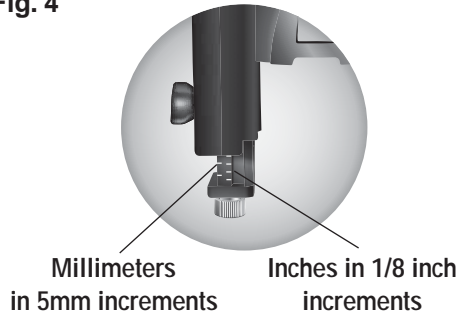
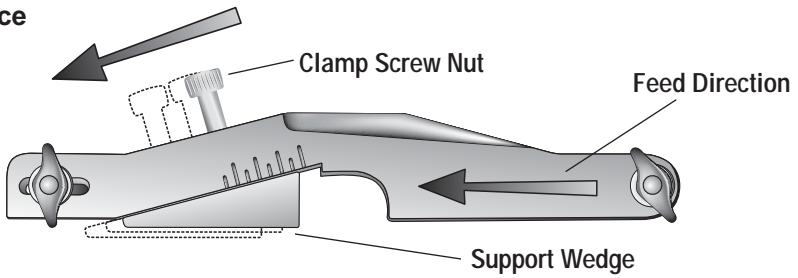


Fig. 4



Depth Adjustment Markings

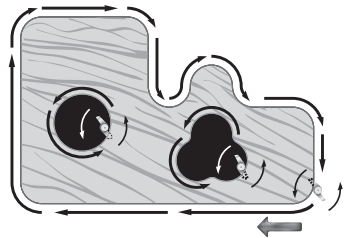
Fig. 6 Fence



Routing Using the Fence

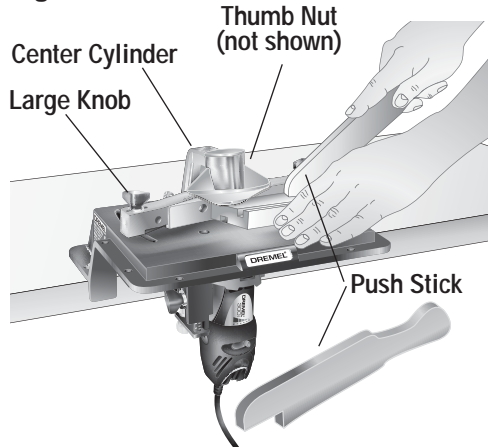
1. Unplug the rotary tool before making any fence adjustments or bit changes. Feed the work against the rotation of the bit as shown. (See Fig. 7) Most fence cutting is done with the **support wedge** adjusted to the right, where it is in line with the fence. (See Fig. 6)
2. **Center cylinder** of the guard can be adjusted up when making cuts using the fence. Loosen thumb nut, lift the cylinder up and secure by tightening thumb nut. (See Fig. 8)
3. When shaping small pieces or when finishing the cut on narrow, long pieces, use a push stick. Use 1/4" x 2" x 8" piece of lumber notched as shown to make this push stick. (See Fig. 8) It will enable you to keep your hands away from the cutting area.
4. To cut a straight groove, install the bit and set the depth of cut using the depth adjustment screw as shown in Fig. 3. Loosen **large knob** on left end of fence and swing fence assembly to proper distance from bit to give desired groove location. Retighten **large knob**. Take a trial cut on scrap lumber to check depth and location of groove.
5. When planing the entire edge of a workpiece, the support wedge may be adjusted to support the workpiece on the left side of the table. Take a trial cut about 2" long and measure the amount of stock removed. Turn rotary tool off. Loosen clamp screw nut and slide wedge to left until wedge contacts cut edge of workpiece. Retighten clamp screw nut. Workpiece will now have support on both sides of the router bit.
When removing more than 1/16" of material from a long edge, if the support wedge is not adjusted properly, the edge will not be planed evenly.

Fig. 7



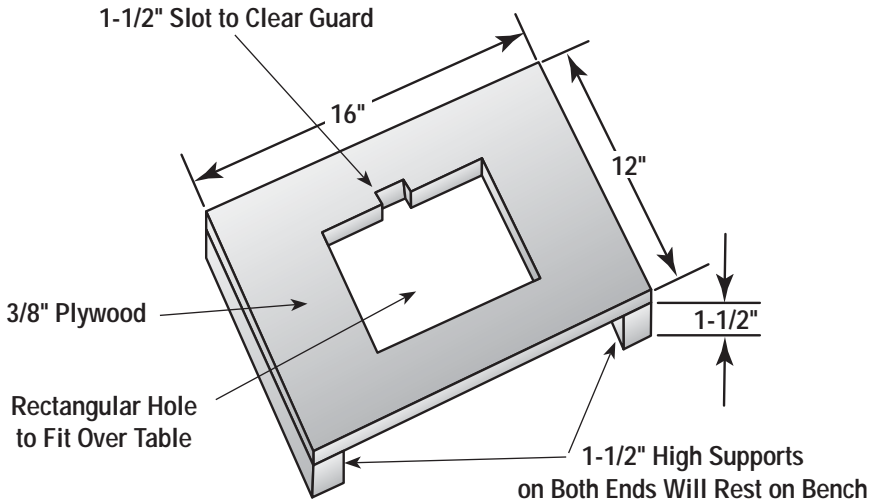
Feed Direction for Straight Cuts with Fence

Fig. 8



Piloted Router Bits	Router Bits
612	617
615	640
618	650
Keyhole Bit	652
655	654

Fig. 9



⚠ WARNING Do not place material between router bit or accessory and fence while routing or sanding edge. This placement may cause material to wedge making kickback possible.

secure using (8) #10 wood screws, 1/2" in length. Support the table at both ends by securing 1-1/2" high supports to the plywood base. (See Fig. 9) (Hardware not included)

Routing Using Pilot Bits

1. When bits with pilots are to be used, move the fence back only enough to allow the amount of cut to be made. Keeping the fence close to the bit allows the fence to serve as a rear guard. In special cases when the fence must be removed from the table, adjust the center cylinder of the guard down to provide protection from revolving cutter.
2. Only piloted bits can be used without the fence. The workpiece should be kept between the cutter and the operator, and fed from right to left.
3. Feed the workpiece past the cutter without stopping and with a consistent speed. A change in feed or a dwell will cause an irregular cut.

Expanded Table Work Surface

The shaper/router table is designed to easily expand the size of the working surface. Use 3/8" thick solid core plywood. Cut a rectangular hole in the plywood to fit over the table and

Drum Sanding

The Shaper/Router Table is also ideal for drum sanding irregular shaped parts as shown. Use Drum Sander 407 (1/2") or 430 (1/4"), with or without the fence assembly. (See Fig. 10)

Fig. 10



Conseils de sécurité pour les outils électriques

⚠ AVERTISSEMENT Veuillez lire et bien comprendre toutes les directives. Si les directives indiquées cidessous ne sont pas respectées, il peut en résulter une décharge électrique, un incendie et/ou des blessures personnelles graves..

VEUILLEZ CONSERVER CES DIRECTIVES

Lieu de travail

Maintenir le lieu de travail propre et bien éclairé. Des établis encombrés et des endroits sombres sont la cause d'accidents.

Ne pas utiliser d'outils électriques dans des atmosphères explosives ou en présence de liquides, gaz et poussière inflammables. Les outils électriques créent des étincelles qui peuvent enflammer la poussière ou les vapeurs.

Maintenir les spectateurs, les enfants et les visiteurs à l'écart lors de l'utilisation d'un outil électrique. Les distractions peuvent causer une perte du contrôle.

Sécurité électrique

Les outils à double isolation sont équipés d'une fiche polarisée (une des broches est plus large que l'autre). Cette fiche s'adaptera dans une prise polarisée d'une seule manière. Si la fiche ne s'adaptait pas parfaitement dans la prise, l'inverser. Si elle ne s'adapte toujours pas, communiquer avec un électricien qualifié pour faire installer une prise polarisée. Ne pas modifier la fiche d'une manière quelconque. La double isolation  élimine le besoin d'un cordon électrique à trois fils pour mise à la terre et d'un système d'alimentation électrique mis à la terre. Avant de brancher l'outil, s'assurer que la tension fournie à la prise correspond à la tension indiquée sur la plaque signalétique. Ne pas utiliser d'outils étiquetés «CA seulement» avec une alimentation électrique à courant continu.

Éviter tout contact du corps avec des objets mis à la terre comme tuyaux, radiateurs, cuisinières et réfrigérateurs. Il existe un risque accru de décharge électrique si votre corps est mis à la terre. Si le fonctionnement de l'outil électrique dans des endroits humides ne peut être évité, un circuit comportant un interrupteur de fuite à la terre doit être utilisé pour alimenter l'outil. Des gants et des chaussures en caoutchouc pour électriciens amélioreront encore votre sécurité personnelle.

Ne pas laisser les outils électriques exposés à la pluie ou à l'humidité. L'eau pénétrant dans un outil électrique augmentera le risque de décharge électrique. Éviter d'endommager le cordon.

Ne jamais utiliser le cordon pour transporter l'outil ou débrancher la fiche de la prise. Maintenir le cordon à l'écart de chaleur, d'huile, des bords coupants ou de pièces mobiles. Remplacer les cordons endommagés immédiatement. Les cordons endommagés augmentent le risque de décharge électrique.

Lors de l'utilisation d'un outil électrique à l'extérieur, utiliser un cordon de rallonge électrique pour l'extérieur, étiqueté «W-A» ou «W». Ces cordons sont étalonnés pour usage à l'extérieur et réduisent les risques de décharge électrique.

Sécurité personnelle

Soyez alerte, faites attention à ce que vous faites et faites usage de bon sens lors de l'utilisation d'un outil électrique. N'utilisez pas un outil si vous êtes fatigué ou sous l'influence de drogue, alcool ou médicament. Un moment d'inattention lors de l'usage d'outils électriques peut résulter en de graves blessures personnelles.

Habilitez-vous adéquatement. Ne portez pas de vêtements lâches ou de bijouterie. Retenez les cheveux longs. Maintenez les cheveux, les vêtements et les gants à l'écart de pièces mobiles. Des vêtements lâches, de la bijouterie ou des cheveux longs peuvent se prendre dans les pièces mobiles. Maintenir les poignées propres, sèches et exemptes de graisse et d'huile.

Éviter toute mise en marche accidentelle. S'assurer que le contacteur est sur «OFF» (arrêt) avant de brancher l'outil. Le fait de transporter des outils avec le doigt sur le contacteur ou de brancher des outils avec le contacteur en position «ON» (marche) est souvent la cause d'accidents.

Enlever les clés de réglage avant de mettre l'outil en marche. Une clé restée attachée sur une pièce rotative de l'outil peut causer des blessures personnelles.

Ne pas s'étirer pour atteindre. Maintenir un bon équilibre en tout temps. Un bon équilibre assure un meilleur contrôle de l'outil dans des situations inattendues.

Utiliser l'équipement de sécurité. Toujours porter des lunettes protectrices. Des masques anti-poussières, des chaussures de sécurité antidérapantes, un casque ou une protection antibruit doit être utilisé selon les conditions.

Utilisation et entretien de l'outil

Utiliser une bride de fixation ou toute autre pince de travail pour maintenir et soutenir la pièce de travail d'une manière stable. Le fait de tenir la pièce à la main ou contre le corps est instable et peut causer une perte du contrôle.

Ne pas forcer l'outil. Utiliser le bon outil en fonction de l'application. Le bon outil fera un meilleur travail et plus sécuritairement pour lequel il a été conçu.

Ne pas utiliser l'outil si le contacteur «MARCHE/ARRÊT» ne fonctionne pas. Tout outil qui ne peut être contrôlé par le contacteur est dangereux et doit être réparé.

Débrancher la fiche de la prise d'alimentation avant d'effectuer tout réglage, changement d'accessoires ou rangement de l'outil. Des mesures de sécurité préventives réduisent le risque de mise en marche accidentelle de l'outil.

Ranger les outils hors d'atteinte des enfants et d'autres personnes non formées. Les outils sont dangereux dans les mains d'un utilisateur inexpérimenté.

Entretien des outils avec soin. Maintenir les outils de coupe bien affûtés et propres. Des outils adéquatement entretenus avec des bords de coupe tranchants risquent moins de coincer et sont plus faciles à contrôler. Toute altération ou modification est un mésusage et peut résulter en une situation dangereuse.

Vérifier le mauvais alignement ou le coincement des pièces mobiles, le bris des pièces ainsi que toute autre condition qui peut affecter le fonctionnement de l'outil. S'il est endommagé, faire réparer l'outil avant de l'utiliser. De nombreux accidents sont causés par des outils mal

entretenus. Mettre au point un calendrier d'entretien périodique pour votre outil.

Utiliser uniquement les accessoires qui sont recommandés par le fabricant pour le modèle. Les accessoires qui conviennent pour un outil peuvent devenir dangereux lorsqu'ils sont utilisés sur un autre.

Service d'entretien

Le service d'entretien de l'outil doit être effectué uniquement par du personnel de réparation qualifié. Le service ou l'entretien effectué par du personnel inexpérimenté peut résulter en des risques de blessure. Par exemple : le câblage interne peut être mal placé ou pincé, les ressorts de retour des gardes de sécurité peuvent être mal montés.

Lors de tout service d'entretien d'un outil, utiliser uniquement des pièces de rechange identiques. Suivre les directives indiquées dans la section «Entretien» de ce manuel. L'utilisation de pièces non autorisées ou le fait de ne pas suivre les directives d'entretien peut causer un risque de décharge électrique ou des blessures. Certains agents de nettoyage comme l'essence, le tétrachlorure de carbone, l'ammoniac, etc. peuvent endommager les pièces en plastique.

Directives de sécurité pour les tables à façonner/toupiller

Veillez lire et comprendre le manuel de l'outil et ses directives pour l'usage de cette table avec votre toupie. Si les directives indiquées ci-dessous ne sont pas respectées, il peut en résulter de graves blessures personnelles.

Placer l'outil pour que le contacteur soit à «facile à atteindre» pour éviter d'avoir à le rechercher à tâtons. Les contacteurs et les commandes d'outils électriques doivent être dans votre zone visuelle pour les utiliser en situations d'urgence.

Assembler complètement et serrer toutes les fixations requises pour cette table et pour monter l'outil. Ne pas utiliser la table à toupiller avant que toutes les étapes d'assemblage et d'installation aient été terminées. N'oubliez pas de vérifier de temps en temps les brides de fixation de l'outil pour vous assurer qu'elles sont bien serrées. Une table desserrée est instable et peut se déplacer lors de l'usage et causer de graves blessures.

S'assurer que l'outil n'est pas branché dans la prise murale lors de l'installation de la table, lors d'ajustements ou de changement de mèches. Une mise en marche accidentelle de l'outil peut causer des blessures.

Avant l'usage, s'assurer que l'unité en entier est placée sur une surface plate, stable et de niveau. De graves blessures peuvent se produire si l'outil est instable et s'il bascule.

S'assurer que l'outil est bien bridé dans le collier de maintien, en vérifiant périodiquement la fixation de la base ou le serrage de la bride. Les dispositifs d'ajustement doivent être serrés fermement. Serrer au besoin car le moteur peut se desserrer de la base à la suite de vibrations et peut basculer ou tomber soudainement lorsqu'il est monté à l'envers dans une table.

Après avoir changé les mèches ou avoir effectué tout ajustement, s'assurer que l'écrou de pince ainsi que les autres dispositifs d'ajustement sont bien serrés. Des dispositifs d'ajustement desserrés peuvent causer un déplacement inattendu, une perte de contrôle, et des éléments rotatifs peuvent être projetés violemment.

Ne pas utiliser la table à toupiller sans le garde supérieur. Ce garde aidera à maintenir vos mains à l'écart de la lame en mouvement dans le cas de contact inattendu avec la mèche.

Ne jamais placer les doigts sous le garde ou près de la mèche en mouvement. Ne jamais tenir la pièce de travail par le côté de sortie d'alimentation de la mèche. En appuyant sur la pièce de travail contre le côté de sortie de la mèche, le matériau risque de se coincer et causer un recul qui pourrait forcer votre main vers la mèche.

Les mèches à toupiller sont conçues pour usage uniquement avec du bois, des produits de bois et de plastique. Ne pas couper ou former de métaux.

S'assurer que la pièce de travail ne contient aucun clou, etc. avant le toupillage. Le fait de couper un clou ou autre pièce métallique risque de causer le dégagement des pointes de carbure et les projeter vers l'utilisateur ou toute autre personne.

Faire correspondre la mèche et sa vitesse à votre application. Ne pas utiliser de mèches ayant un diamètre de coupe excédant le rendement de l'outil. Une surcharge de l'outil peut causer des blessures personnelles ou une défaillance de l'outil.

Placer et brider sécuritairement la mèche à toupiller dans la pince avant d'effectuer toute coupe. Si la mèche se desserre au cours de l'usage, elle peut être projetée de la table et vous heurter ou d'autres personnes.

Ne jamais utiliser de mèches émoussées ou endommagées. Les mèches tranchantes doivent être manipulées avec soin. Des mèches endommagées peuvent casser lors de l'usage. Des mèches émoussées exigent plus de force pour pousser la pièce de travail, risquant de casser la mèche ou de faire sauter la pièce.

La table à toupiller est principalement conçue pour couper des pièces plates, droites ou carrées; nous ne recommandons pas de couper des matériaux gondolés, mous ou instables. Si la pièce est légèrement incurvée, la couper avec le côté concave contre la table ou le guide. Le fait de couper la pièce avec le côté concave ou incurvé vers le haut peut causer un déplacement de la pièce, résultant en une perte du contrôle, un recul de la pièce et des blessures personnelles graves peuvent en résulter.

Ne jamais démarrer la mèche lorsque la mèche est prise dans la pièce. Le bord d'attaque de la mèche peut agripper la pièce et causer une perte du contrôle de la pièce.

Alimenter la pièce de travail contre la rotation de la mèche. La mèche tourne dans le sens anti-horaire, vu du dessus de la table. L'alimentation de pièce dans la mauvaise direction risque de causer un déplacement de la pièce sur la mèche et résulter en une perte du contrôle lors de la coupe.

Utiliser des pièces et autres dispositifs pour maintenir la pièce et garder vos mains à l'écart de la lame en mouvement. Les travaux de toupillage sont des coupes aveugles, mais la mèche dépasse de la table et vous devez être conscient de la position de vos mains en fonction de celle de la mèche.

L'usage de supports d'alimentation auxiliaires est fortement suggéré pour les pièces de travail longues ou surdimensionnées. Les pièces surdimensionnées peuvent tomber de la table ou causer un basculement de la table si elles ne sont pas totalement soutenues.

Utiliser un guide ajustable pour les applications de coupe droite. Lors de toupillage le long du bord de la pièce de travail, le guide et le coin de support ajustable aidera à maintenir la stabilité.

Ne placer aucune pièce entre la mèche de la toupie et le guide lors du toupillage d'un bord. Ceci peut causer un coincement de la pièce et risque de causer un recul.

Ne jamais toucher la mèche pendant l'usage ou immédiatement après. Tout contact avec une mèche en mouvement causera des blessures et après l'usage, la mèche est trop chaude pour être touchée à mains nues.

Ne pas utiliser la table comme établi ou surface de travail. La table n'est pas conçue pour être utilisée comme un établi ou une surface de travail autre que pour le toupillage de pièces. Le fait de l'utiliser pour des usages autre que le toupillage peut l'endommager et compromettre sa sécurité lors du toupillage.

Ne jamais monter sur la table ou l'utiliser comme échelle ou échafaudage. Des blessures graves pourraient se produire si la table bascule ou si l'outil est mis en marche accidentellement. Ne pas ranger de matériaux sur ou près de la table pour éviter qu'il soit nécessaire de s'appuyer sur la table ou son support pour les atteindre.

Utiliser uniquement des pièces de rechange et des accessoires Dremel. Tous les autres peuvent causer un risque.

Table à façonner/toupiller, modèle 231

ACCESSOIRE POUR USAGE AVEC OUTIL ROTATIF DREMEL MODELES
100, 200, 300, 400XPR, 275, 285, 395, 398, 800, 4000, ET 8200

ATTENTION: Lire les directives complètes de ce manuel avant d'utiliser la table à façonner/toupiller Dremel. Conserver ces directives pour vous y reporter à l'avenir. Cet accessoire transformera

votre outil rotatif Dremel en une table à façonner/toupiller pour faire des bordures, toupiller, rainurer, façonner, poncer des bords et faire des joints, etc.

Montage de la table sur un établi

La table à façonner/toupiller est livrée assemblée, prête au montage sur un établi. Après avoir déterminé l'emplacement de la table, prépercer l'établi avec un foret d'un diamètre de 1/8 po aux quatre emplacements des trous de montage. Fixer la table à l'établi avec (4) vis à bois No. 10 x 1 po et rondelles (Incluses avec la table à façonner/toupiller). (Voir figure 1.)

Autre option de montage : Pour rendre votre table à façonner plus portable, montez-la sur un morceau de 2 x 4 po puis, bridez-la aisément sur votre établi comme illustré à la figure 1.

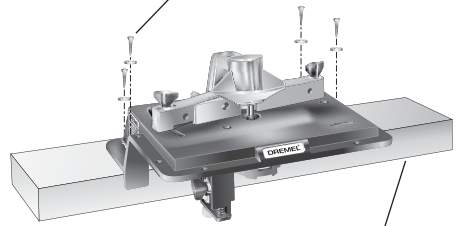
Montage de l'outil rotatif dans la table

1. Desserrer le bouton de maintien et tourner le bouton de réglage de la profondeur pour abaisser le porte-outils inférieur.
2. Après avoir débranché l'outil rotatif de sa source d'alimentation électrique, retirez le capuchon fileté de protection de l'outil et mettez-le de côté. Le capuchon de protection doit être réinstallé lorsque vous n'utilisez pas la table de la toupie/machine à façonner.
3. Placez l'outil dans l'équipement de façon que le bouton de verrouillage de l'arbre et le bouton/l'interrupteur de marche/arrêt soient orientés tous les deux vers l'avant.
4. Enfilez l'écrou de blocage dans le sens des aiguilles d'une montre sur la partie filetée de votre outil rotatif et serrez solidement avec la clé fournie (voir figure 2)

⚠ AVERTISSEMENT Veuillez lire et bien comprendre ces directives ainsi que le manuel de l'outil avant d'utiliser cet accessoire.

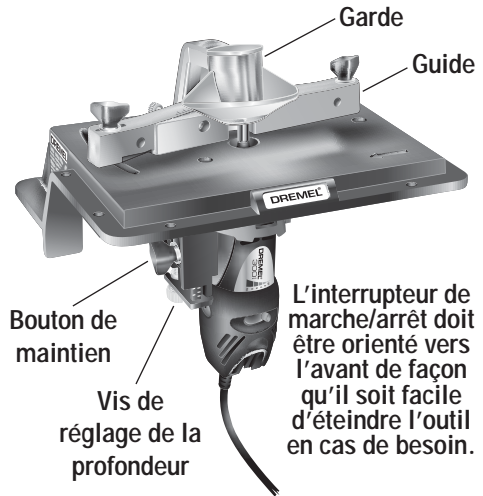
fig. 1

(4) vis à bois No. 10 x 1 po et rondelles



Utiliser un 2 x 4 po comme autre option de montage

fig. 2



L'interrupteur de marche/arrêt doit être orienté vers l'avant de façon qu'il soit facile d'éteindre l'outil en cas de besoin.

Mise en place des mèches de toupie

1. Lors de la mise en place de mèches de toupie, s'assurer de débrancher le cordon d'alimentation, puis enlever l'outil de la table à façonner/toupiller. Placer la tige de la mèche à toupie dans la pince en laissant dépasser un maximum de 5/8 po de l'écrou de pince. Utiliser le bouton de votre outil rotatif et une clé pour serrer fermement la mèche. (Voir figure 3.)
2. Desserrer le **bouton de maintien** et tourner la **vis de réglage de profondeur** pour ajuster la profondeur de coupe. La profondeur de coupe sera la longueur de la mèche qui dépassera au-dessus de la table à façonner/toupiller.

Réglage de la profondeur de coupe

Les marques de réglage sur le côté extérieur du porte-outils sont calibrées en pouces et en millimètres. Examiner les marques avant de commencer votre projet. Tourner la vis de réglage de profondeur pour régler la profondeur voulue. Pour assurer les bons réglages, effectuer un essai de coupe et mesurer la profondeur sur une pièce de rebut. (Voir figure 4.)

Direction d'alimentation de la toupie

L'arbre de la toupie tourne dans une direction antihoraire vue du dessus de la table. Pour assurer le meilleur contrôle et une bonne qualité de la coupe, pousser la pièce à travailler vers la mèche, dans la direction où la mèche aura tendance à tirer sur le travail vers le guide. (Une direction d'alimentation incorrecte aura tendance à tirer sur le bois plus rapidement que vous le désirez, et la mèche aura tendance à grimper sur le bois.) Alimenter la pièce de la droite vers la gauche, comme illustré. La direction d'alimentation est extrêmement importante lors de l'utilisation d'une mèche pilote à main levée sur le bord d'une pièce ainsi que lors de l'usage d'un guide avec toutes les autres mèches. (Voir figure 5.)

Conseils pour table à toupiller

1. Mauvaise direction – Difficile à contrôler.
2. Alimentation trop rapide – Surcharge du moteur.
3. Mèche émoussée – Surcharge du moteur.
4. Coupe trop longue ou trop profonde pour un seul passage – Surcharge du moteur.
5. Alimentation trop lente – Marque des brûlures de friction sur la pièce.

fig. 3

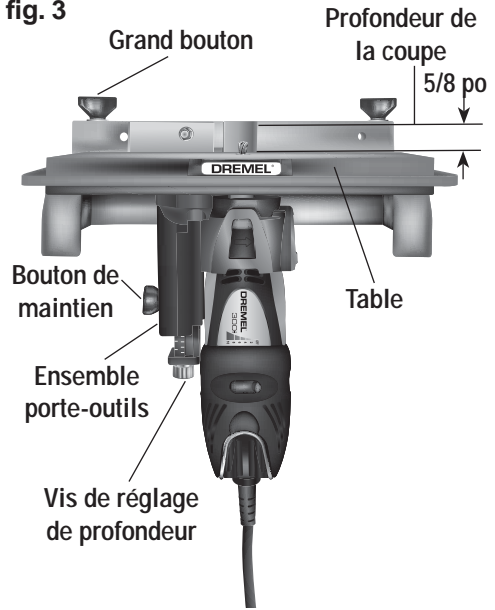


fig. 4

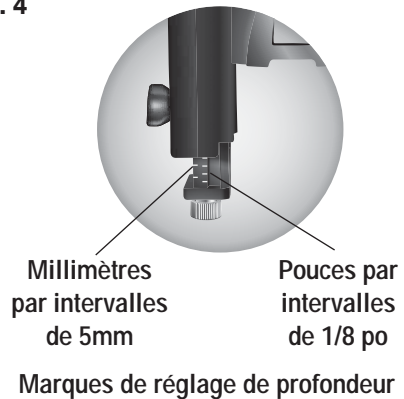
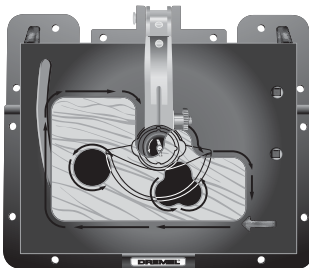
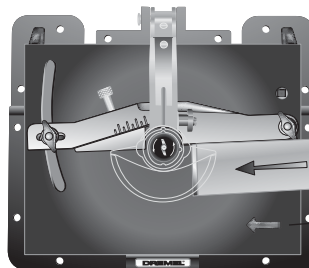


fig. 5



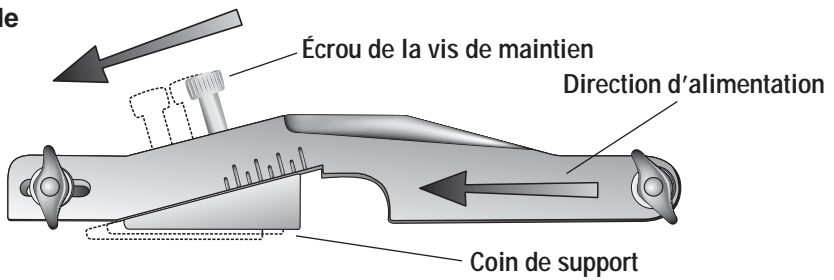
Direction d'alimentation sans guide



Direction d'alimentation avec guide

Flèche de direction d'alimentation

fig. 6 Guide



Touillage avec le guide

1. Débrancher l'outil rotatif avant d'effectuer tout réglage du guide ou tout changement de mèche. Alimenter le travail contre la rotation de la mèche, comme illustré. (Voir figure 7.) La plupart des coupes avec guide sont effectuées avec le **coin de support** ajusté à droite, aligné avec le guide. (Voir figure 6.)
2. Le **cylindre central** du garde peut être ajusté vers le haut lors de coupes effectuées avec le guide. Desserrer l'écrou à oreilles, relever le cylindre et le sécuriser en serrant l'écrou à oreilles. (Voir figure 8.)
3. Lors du façonnage de petites pièces ou lors de la finition d'une coupe sur des pièces longues et étroites, utiliser un poussoir. Utiliser un morceau de bois de 1/4 x 2 x 8 po, encoché comme illustré pour fabriquer ce poussoir. (Voir figure 8.) Il vous permettra de maintenir vos mains à l'écart de la zone de coupe.
4. Pour couper une rainure droite, monter la mèche et régler la profondeur de coupe avec la vis de réglage de profondeur, comme illustré à la figure 3. Desserrer le **grand bouton** du côté gauche du guide et placer l'ensemble du guide à la distance voulue de la mèche pour obtenir l'emplacement voulu de la rainure. Resserrer le **grand bouton**. Faire une coupe d'essai sur un morceau de bois de rebut pour vérifier la profondeur et l'emplacement de la rainure.
5. Lors du rabotage d'un bord d'une pièce de travail, le coin de support peut être ajusté pour supporter la pièce de travail du côté gauche de la table. Faire une coupe d'essai d'environ 2 po. de long et mesurer la quantité de bois enlevée. Arrêter l'outil rotatif. Desserrer l'écrou de la vis de maintien et glisser le coin vers la gauche jusqu'à ce qu'il entre en contact avec le bord coupé de la pièce de travail. Resserrer l'écrou de la vis de maintien. La pièce de travail sera maintenant supportée des deux côtés de la mèche.

Lorsque l'on enlève plus de 1/16 po. d'un bord long, si le coin de support n'est pas ajusté comme il faut, le bord ne sera pas raboté uniformément.

fig. 7

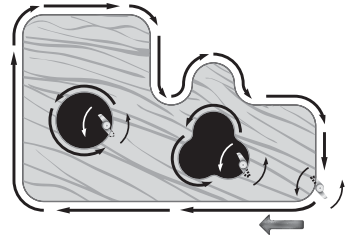
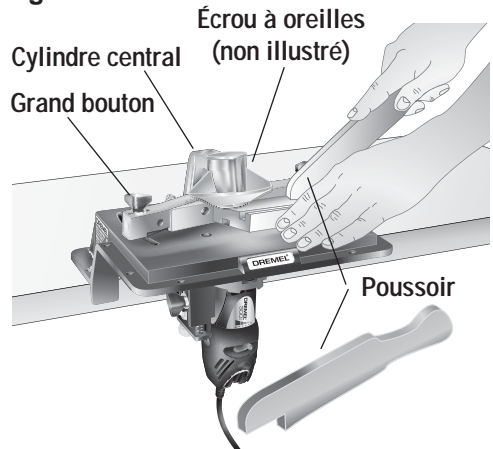
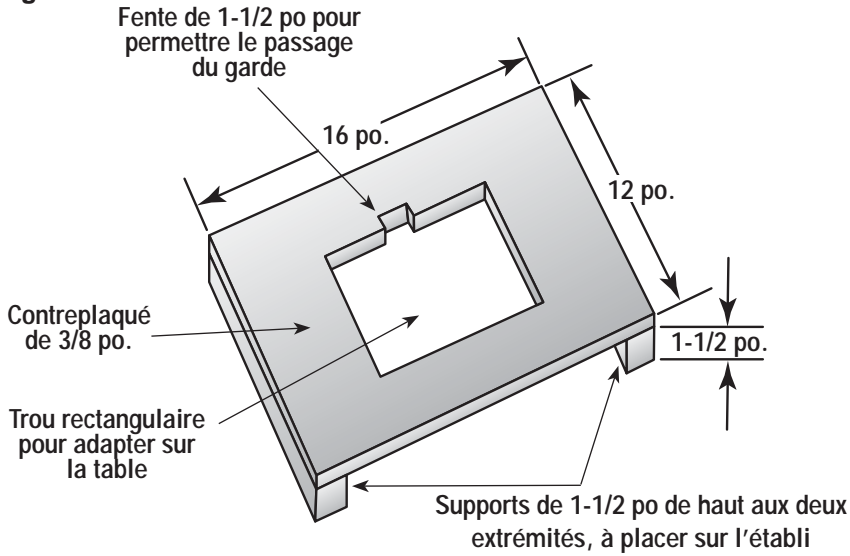


fig. 8



Mèches pilotes	Mèches de toupie
612	617
615	640
618	650
Mèche pour trou de serrure	652
655	654

fig. 9



⚠ AVERTISSEMENT Ne pas placer de pièce entre la mèche de la toupie ou accessoire et le guide lors de toupillage ou du ponçage de bords. Ceci peut faire coincer la pièce et causer un recul.

avec (8) vis à bois No. 10, de 1/2 po. de long. Soutenir la table aux deux extrémités en sécurisant un morceau de bois de 1-1/2 po. de haut pour soutenir la base en contreplaqué. (Voir figure 9.)

(Boulonnerie non comprise)

Toupillage avec des mèches pilotes

1. Lorsque des mèches avec pilotes doivent être utilisées, reculer le guide suffisamment pour permettre d'effectuer la coupe prévue. Le fait de maintenir le guide près de la mèche permet au guide de servir de protecteur arrière. Dans certains cas où le guide doit être enlevé de la table, ajuster le cylindre central du garde vers le bas pour fournir la protection de la mèche en mouvement.
2. Seules des mèches pilotes peuvent être utilisées sans le guide. La pièce de travail doit être maintenue entre la mèche et l'usager et alimentée de la droite vers la gauche.
3. Alimenter la pièce de travail jusqu'à la mèche sans vous arrêter et à une vitesse constante. Un changement d'alimentation ou un ralentissement causera une coupe irrégulière.

Agrandissement de la surface de travail de la table

La table à façonner/toupiller est conçue pour agrandir aisément la surface de travail. Utiliser une planche de contreplaqué de 3/8 po d'épaisseur. Découper un trou rectangulaire dans la planche pour l'adapter au-dessus de la table et la sécuriser

Ponceuse à tambour

La table à façonner/toupiller est aussi idéale pour le ponçage au tambour de pièces de formes irrégulières, comme illustré. Utiliser le tambour de ponçage 407 (1/2 po) ou 430 (1/4 po) avec ou sans le guide. (Voir figure 10.)

fig. 10



Reglas de seguridad de la herramienta eléctrica



ADVERTENCIA

Lea y entienda todas las instrucciones. No seguir las siguientes instrucciones puede resultar en una descarga eléctrica, fuego y/o lesiones personales graves.

GUARDE ESTAS INSTRUCCIONES

Área de trabajo

Mantenga su área de trabajo limpia y bien iluminada. Bancos desordenados y áreas oscuras promueven accidentes.

No opere herramientas eléctricas en ambientes explosivos, como en presencia de líquidos inflamables, gases o polvo. Las herramientas eléctricas crean chispas las cuales pueden encender el polvo o los gases.

Mantenga a las personas, niños y visitantes lejos mientras que opere una herramienta eléctrica. Las distracciones pueden hacer que pierda el control.

Seguridad eléctrica

Las herramientas doblemente aisladas están equipadas con un enchufe polarizado (una clavija es más ancha que la otra). Este enchufe funcionará en una toma de corriente polarizados únicamente de una manera. Si el enchufe no entra completamente voltéelo. Si aún no entra, llame a un electricista calificado para que instale un toma de corriente polarizado. No cambie el enchufe de ninguna manera. El aislamiento  doble elimina la necesidad de un cable tripolar con toma de tierra y de un sistema de suministro eléctrico con toma de tierra. Antes de enchufar la herramienta, cerciórese de que el voltaje de suministro esté dentro del voltaje marcado en la placa. No use herramientas clasificadas "sólo AC" con suministros de energía DC.

Evite el contacto del cuerpo con superficies con toma de tierra tales como tubos, radiadores, fogones y neveras. Hay un mayor riesgo de una descarga eléctrica si su cuerpo está haciendo contacto a tierra. Si no se puede evitar la operación de la herramienta en una área húmeda, se debe usar un Interruptor que regula la falla de la toma de tierra para suministrar la energía a su herramienta. El uso de guantes y calzado de caucho de electricista mejorará su seguridad personal.

No exponga las herramientas eléctricas a la lluvia o a la humedad. El agua que entre a una herramienta eléctrica incrementará el riesgo de descarga eléctrica.

No abuse del cable. Nunca lo use para sujetar las herramientas o lo hale para desenchufarlas. Mantenga el cable alejado del calor, aceite, bordes afilados o partes en movimiento. Reemplace inmediatamente un cable en mal estado. Los cables dañados aumentan el riesgo de descargas eléctricas.

Cuando opere una herramienta eléctrica a la intemperie, use una extensión para trabajo externo marcada "W-A" o "W." Estas extensiones

están clasificadas para uso al aire libre y reducen el riesgo de descarga eléctrica.

Seguridad personal

Manténgase atento, observe lo que está haciendo y aplique su sentido común cuando esté operando una herramienta eléctrica. No use la herramienta cuando esté cansado o bajo los efectos de drogas, bebidas alcohólicas o medicamentos. Un momento de desatención mientras que esté operando una herramienta eléctrica puede causar lesiones personales serias.

Vístase de manera apropiada. No use ropa amplia o joyas. Cójase el cabello largo. Mantenga su cabello, ropa y guantes lejos de las partes en movimiento. La ropa suelta, joyas o el cabello largo pueden quedar atrapados en las partes en movimiento. Mantenga las manijas secas, limpias y libres de aceite y grasa.

Evite el encendido accidental. Asegúrese que el interruptor está "APAGADO (OFF)" antes de enchufar. Sujetar las herramientas con su dedo en el interruptor o enchufar herramientas que tengan el interruptor "ENCENDIDO (ON)" promueve accidentes.

Quite las llaves de ajuste o cualquier objeto antes de encender la herramienta. Una llave o herramienta que sea dejada en una parte rotatoria de la herramienta puede causar lesiones personales.

No se estire demasiado. Manténgase bien apoyado en sus pies y en equilibrio en todo momento. Un apoyo y equilibrio adecuados permiten un mejor control de la herramienta en situaciones inesperadas.

Use un equipo de seguridad. Siempre use protección para sus ojos. Máscara para el polvo, zapatos con suela antideslizante de seguridad, casco o protección para sus oídos deben ser usados para asegurar condiciones adecuadas.

Uso y cuidado de la herramienta

Use abrazaderas o cualquier otra manera práctica de asegurar y apoyar la pieza de trabajo a una plataforma estable. Sostenere el trabajo con las manos o contra su cuerpo resulta inestable y puede conducir a la pérdida de control.

No fuerce la herramienta. Use la herramienta apropiada para cada aplicación. La herramienta apropiada hará el trabajo mejor y de manera más segura al ritmo para el cual fue diseñada.

No use la herramienta si el interruptor no apaga o prende la herramienta. Cualquier herramienta

que no puede ser controlada con el interruptor es peligrosa y debe ser reparada.

Desconecte el enchufe antes de hacer cualquier ajuste, de cambiar accesorios o de guardar la herramienta. Estas medidas de seguridad preventivas reducen el riesgo de encender la herramienta de manera accidental.

Guarde las herramientas que no estén en uso lejos del alcance de los niños y personas sin entrenamiento. Las herramientas son peligrosas en las manos de usuarios sin entrenamiento.

Cuide las herramientas. Mantenga las herramientas para cortar afiladas y limpias. Las herramientas mantenidas de manera apropiada, con bordes afilados son menos propensas a doblarse y más fáciles de controlar. Cualquier alteración o modificación consiste en un uso inapropiado y puede causar una situación peligrosa.

Revise que no haya partes en movimiento desalineadas o dobladas, partes quebradas, o cualquier otra condición que pueda afectar la operación de la herramienta. Si está dañada, la herramienta debe ser reparada antes de ser usada. Muchos accidentes son causados por herramientas que no han sido

mantenidas adecuadamente. Desarrolle un calendario de mantenimiento periódico para su herramienta.

Use únicamente accesorios recomendados por el fabricante de su modelo. Los accesorios adecuados para una herramienta pueden resultar peligrosos si se usan en otra.

Reparación

La reparación de la herramienta debe ser realizada únicamente por personal calificado. La reparación o el mantenimiento realizados por personal no calificado puede causar el riesgo de lesiones. Por ejemplo, los cables internos pueden ser mudados de lugar o chuzados, los resortes que retornan la barrera pueden ser montados inadecuadamente.

Cuando repare una herramienta use únicamente repuestos idénticos. Siga las instrucciones en la sección de mantenimiento de este manual. El uso de repuestos no autorizados o no seguir las Instrucciones de mantenimiento pueden ocasionar el riesgo de descarga eléctrica o lesiones. Ciertos agentes limpiadores como gasolina, tetracloruro de carbono, amoníaco, etc., pueden estropear las partes plásticas.

Normas de seguridad para mesas para buril/moldeador

Lea y entienda el manual de la herramienta y estas instrucciones para el uso de la mesa con su buril. No seguir todas las instrucciones a continuación puede resultar en lesiones personales graves.

Coloque la herramienta con el interruptor a un fácil acceso de tal manera que no esté buscándolo ciegamente. Los interruptores y controles de electricidad de la herramienta deben estar dentro de su alcance en caso de una emergencia.

Ensamble completamente y apriete todos los seguros requeridos para esta mesa y para montar la herramienta. No use la mesa para el buril hasta que todos los pasos para la instalación y el ensamble hayan sido completados. También recuerde revisar ocasionalmente las abrazaderas de la mesa y la herramienta para asegurarse de que todavía estén apretadas. Una mesa suelta es inestable y puede moverse durante el uso causando lesiones graves.

Cerciórese de que la herramienta no esté enchufada mientras que la instale en la mesa, haga ajustes o cambie de brocas. El encendido accidental de la herramienta puede causar lesiones.

Antes de operar, cerciórese de que la unidad entera esté en una superficie firme, plana y nivelada. Pueden presentarse lesiones graves si la herramienta está inestable y se tambalea.

Asegúrese de que la herramienta esté bien asegurada en el collar, periódicamente revise el seguro de la base y que las abrazaderas estén apretadas. Las piezas de ajuste deben estar

apretadas de manera segura. Apriete tanto como sea necesario para que el motor no se suelte de la base debido a la vibración y pueda caerse inesperadamente cuando se coloque al revés en la mesa.

Después de cambiar las brocas o hacer cualquier ajuste, asegúrese de que la tuerca del collarín y cualquier otra pieza de ajuste estén apretadas de manera segura. Las piezas de ajuste sueltas pueden moverse inesperadamente, causando la pérdida de control, y los componentes rotatorios sueltos serán arrojados violentamente.

No use la mesa para el buril sin la protección superior. La protección le ayudará a mantener sus manos lejos de la cuchilla giratoria en caso de contacto involuntario con la broca.

Nunca ponga sus dedos bajo la protección o cerca de la broca girando. Nunca sostenga la pieza de trabajo por el lado que la broca va a hacer el agujero. Presionar la pieza de trabajo en dirección contraria a la salida de la broca puede causar que el material se trabe y retroceda empujando su mano hacia la broca.

Las brocas buriladoras son diseñadas para madera, y productos de madera y plástico únicamente. No para cortar o dar forma a metales. Asegúrese de que la pieza de trabajo no tenga puntillas, etc. antes de burilar. Hacer un corte en una puntilla causará que los carburos se desprendan, vuelen hacia el operador y posiblemente lo golpeen a usted o a alguien cerca.

Elija la broca apropiada y su velocidad de acuerdo con su aplicación. No use brocas que tengan un diámetro de corte que exceda la capacidad de la herramienta. Sobrecargar la herramienta puede causar lesiones personales o falla de la herramienta.

Coloque y sujete de manera segura la broca buriladora en el collarín antes de empezar cualquier corte. Si la broca se afloja durante su operación puede volar y posiblemente golpearlo a usted o a alguien cerca.

Nunca use brocas sin filo o dañadas. Las brocas afiladas deben manejarse con cuidado. Las brocas dañadas pueden romperse durante su uso. Las brocas sin filo requieren más fuerza para empujar la herramienta, ocasionando la posibilidad de que la broca se quiebre o que el material retroceda.

La mesa para el buril está diseñada primordialmente para cortar materiales planos, rectos y cuadrados, no recomendamos cortar material deformado, poco firme o inestable. Si el material es ligeramente curvo córtelo con el lado cóncavo contra la mesa o la barrera. Cortar el material con el lado cóncavo hacia arriba puede hacer que el material deforme o inestable dé vueltas, haciendo que pierda el control, retroceda y cause lesiones personales graves.

Nunca encienda la herramienta cuando la broca esté engranada en el material. El filo de la broca de corte puede agarrar el material causando la pérdida de control de la pieza de trabajo.

Avance con la pieza de trabajo en contra de la rotación de la broca. El eje del buril gira en sentido contrario de las manecillas del reloj cuando se ve desde encima de la mesa. Avanzar en una dirección contraria causará que la pieza de trabajo trate de montarse en la broca y cause la pérdida de control durante la operación.

Use palos de presión o cualquier otra guía para sostener la pieza de trabajo y mantener sus manos alejadas de la cuchilla girando. Los cortes del buril son cortes ciegos pero la broca sale de todas maneras a través de la mesa y usted debe estar consciente de la posición de sus manos con respecto a la broca girando.

El uso de apoyos auxiliares para avanzar es fuertemente aconsejado en piezas largas o anchas. Las piezas largas pueden salirse de la mesa o causar que la mesa se voltee si no está apoyada firmemente.

Use la barrera ajustable para cortes rectos. Cuando burile a lo largo de todo el borde de una pieza, la barrera y la cuña de apoyo ajustable le ayudarán a mantener la estabilidad.

No coloque el material entre la broca buriladora y la barrera mientras que burile el borde. Esta posición puede causar que el material se bloquee haciendo posible que rebote.

Nunca toque la broca durante o inmediatamente después de su uso. El contacto con una broca girando causará lesiones y después de su uso la broca está muy caliente para ser tocada con las manos.

No use la mesa como banco de trabajo o superficie de trabajo para otra cosa que no sea para burilar. El uso para propósitos diferentes a burilar puede causar daños y volverla peligrosa para burilar.

Nunca se pare en la mesa o la use como escalera o andamio. Lesiones graves pueden ocurrir si la mesa se voltea o la herramienta de corte se toca accidentalmente. No mantenga materiales sobre o cerca de la mesa de tal manera que sea necesario pararse en la mesa o en su pie para alcanzarlos.

Use sólo repuestos y accesorios Dremel. Cualquier otro puede ocasionar peligros.

Mesa para moldeador/buril, modelo 231

ACCESORIO PARA USAR CON LOS MODELOS ROTATORIOS DE DREMEL
100, 200, 300, 400XPR, 275, 285, 395, 398, 800, 4000, Y 8200

ATENCIÓN: Lea cuidadosamente el Manual de Instrucciones completo antes de usar su mesa para Moldeador/Buril Dremel. Guarde las instrucciones para futura consulta. Este accesorio convertirá su

herramienta rotatoria Dremel en una mesa para Moldeador/Buril para bordear, burilar, acanalar, moldear, lijar bordes, articular, etc.

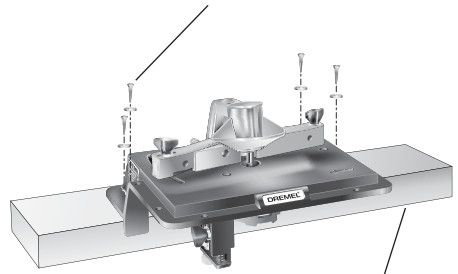
Montar la tabla al banco de trabajo

La mesa para moldeador/buril viene ensamblada y lista para montar en el banco de trabajo. Después de determinar la ubicación de la mesa, perforo previamente el banco usando una broca de 1/8" de diámetro en la posición de los cuatro agujeros de montaje. Asegure la mesa al banco usando los **(4) tornillos # 10 x 1" y las arandelas** (incluidos con la mesa para moldeador/buril) (vea la figura 1).

Opción alternativa para montaje: para hacer su mesa para moldeador/buril más portátil, monte la pieza de 2" x 4". Después asegure fácilmente su banco de trabajo como se muestra en la figura 1.

fig. 1

(4) tornillos para
madera
y arandelas #10 x 1"

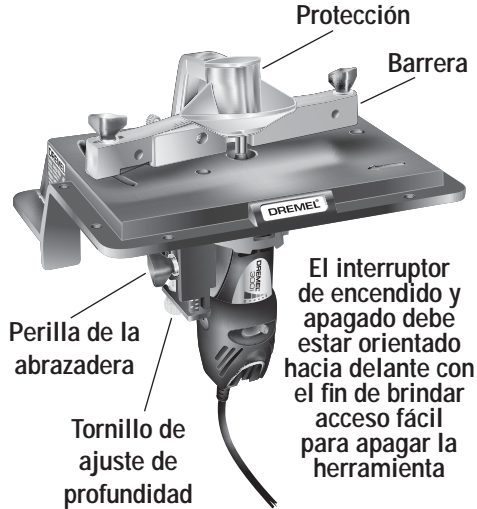


Use una tabla
2" x 4" como opción
alternativa de
montaje

Instalar la herramienta rotatoria a la mesa

1. Afloje la **perilla de la abrazadera** y gire la perilla de ajuste **de profundidad** para bajar el soporte de la herramienta.
2. Con la herramienta rotativa desenchufada de una fuente de alimentación, retire la tapa de la carcasa roscada de la herramienta y ponga dicha tapa de la carcasa a un lado. La tapa de la carcasa debe ser reinstalada cuando no se esté utilizando la mesa de perfiladora / fresadora.
3. Coloque la herramienta en el aditamento con el botón de cierre del eje y el botón de encendido y apagado orientados hacia delante.
4. Enrosque la tuerca de fijación en el sentido de las agujas del reloj en la porción roscada de su herramienta rotativa y apriétela de manera segura con la llave de tuerca suministrada (vea la figura 2).

fig. 2



⚠ ADVERTENCIA Lea y entienda estas instrucciones y el manual de la herramienta antes de usar el accesorio.

Instalar las brocas del buril

1. Cuando instale las brocas buriladoras, asegúrese de que el cable eléctrico esté desenchufado y retire la herramienta de la mesa para moldeador/buril. Encaje la espiga de la broca buriladora en el collarín permitiendo que salga un máximo de 5/8" debajo de la tuerca del collarín. Use el seguro del eje en su herramienta rotatoria y la llave para apretar la broca de manera segura (vea la figura 3).
2. Afloje la **perilla de la abrazadera** en el soporte de profundidad y gire el **tornillo de ajuste de profundidad** para ajustar la profundidad de corte. La profundidad de corte será la cantidad que la broca se extiende encima de la **mesa para moldeador/buril**.

Ajustar la profundidad de corte

Las marcas de ajuste en la parte lateral hacia afuera del soporte de la herramienta vienen en pulgadas y milímetros. Observe las marcas antes de comenzar su proyecto. Gire el tornillo de ajuste de profundidad para ajustar la profundidad deseada. Para asegurar un ajuste apropiado, burile y mida el corte en un material de desperdicio (vea la figura 4).

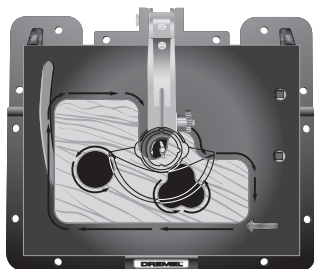
Cómo avanzar el buril

El eje del buril gira en dirección contraria a las manecillas del reloj cuando se ve desde arriba de la mesa. Para mejor control y calidad de corte, mueva la madera hacia la broca en la dirección en que la broca tiende a dirigir la pieza hacia la barrera. (Avanzar en una dirección contraria causará que la broca trate de tirar la madera más rápido de lo que usted quiere. Esto se llama corte montado). Mueva la pieza de trabajo de derecha a izquierda como se muestra. La dirección de avance es extremadamente importante cuando use una broca piloto a pulso en el borde de una pieza de trabajo, así como también cuando use la barrera con cualquier broca (vea la figura 5).

Claves para el uso de la mesa para burilar

1. Dirección incorrecta – Dificil de controlar.
2. Avance muy rápido – Sobrecarga del motor.
3. Broca sin filo – Sobrecarga del motor.
4. Corte muy largo o profundo en una sola pasada – Sobrecarga del motor.
5. Avance muy despacioso – Deja marcas de quemaduras por fricción en el trabajo.

fig. 5



Dirección de avance sin la barrera

fig. 3

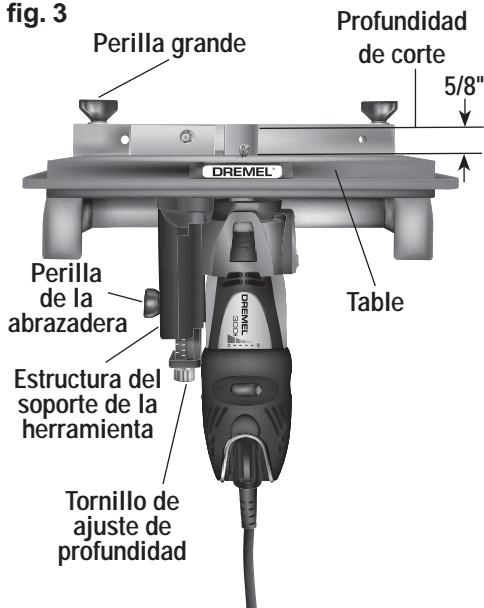
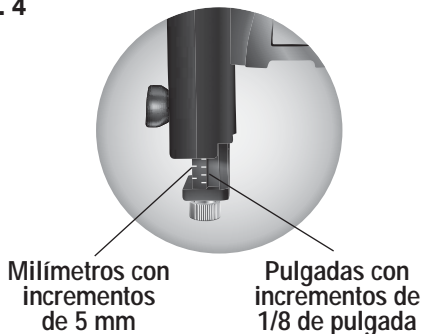
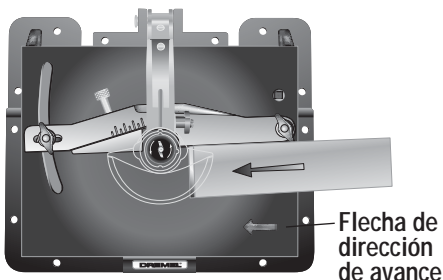


fig. 4

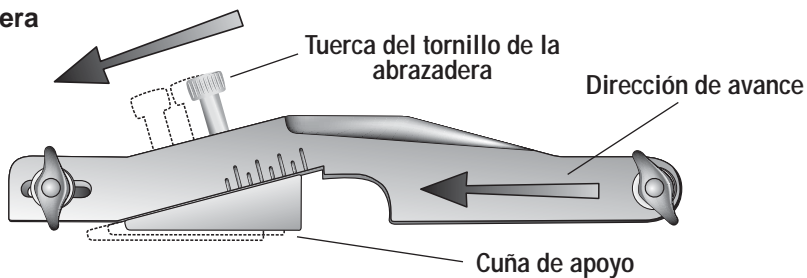


Marcas de ajuste de profundidad



Dirección de avance con la barrera

fig. 6 Barrera

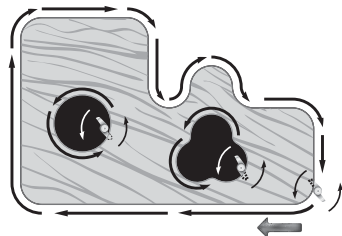


Burilar usando la barrera

1. Desenchufe la herramienta rotatoria antes de hacer cualquier ajuste a la barrera o antes de cambiar las brocas. Mueva el trabajo en contra de la rotación de la broca como se muestra (vea la figura 7). La mayoría de corte con la barrera se hace con la cuña de apoyo ajustada hacia la derecha, donde está alineada con la barrera (vea la figura 6).
2. El cilindro central de la protección puede ser ajustado hacia arriba cuando se hacen cortes usando la barrera. Afloje la tuerca de mariposa, levante el cilindro y asegúrelo apretando la tuerca de mariposa (vea la figura 8).
3. Cuando esté moldeando piezas pequeñas o cuando le esté dando acabado a cortes en piezas estrechas y largas use palos de presión. Use piezas de madera de 1/4" x 2" x 8" con muescas como se muestra para hacer estos palos de presión (vea la figura 8). Le permitirán mantener sus manos lejos del área de corte.
4. Para cortar una canal recta, instale la broca y ajuste la profundidad de corte usando el tornillo de ajuste de profundidad como se muestra en la figura 3. Afloje la perilla grande en el extremo izquierdo de la barrera gire la estructura de la barrera a la distancia apropiada de la broca para lograr la posición deseada de la canal. Vuelva a apretar la perilla grande. Haga un corte de prueba en madera de desperdicio para revisar la profundidad y la posición de la canal.
5. Cuando alise el borde entero de una pieza de trabajo, la cuña de apoyo puede ser ajustada para sostener la pieza de trabajo en el lado izquierdo de la mesa. Haga un corte de prueba de aproximadamente 2" de longitud y mida la cantidad de madera removida. Apague la herramienta rotatoria. Afloje la tuerca del tornillo de la abrazadera y deslice la cuña hacia la izquierda hasta que toque el borde de corte de la pieza de trabajo. Vuelva a apretar la tuerca del tornillo de la abrazadera. La pieza de trabajo tiene ahora el soporte en ambos lados de la broca buriladora.

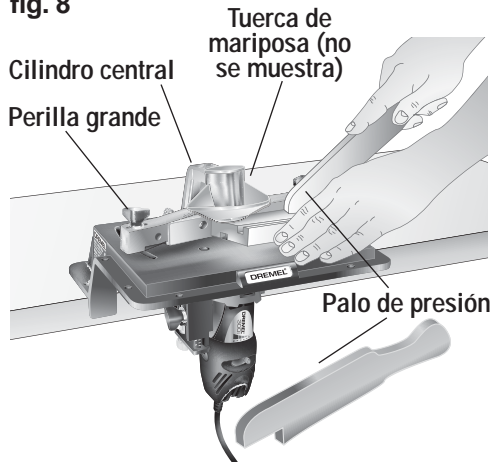
Cuando quite más de 1/16" de material de un borde largo, si la cuña de apoyo no está ajustada de manera apropiada, el borde no será aplanado uniformemente.

fig. 7



Dirección de avance para cortes rectos con barrera

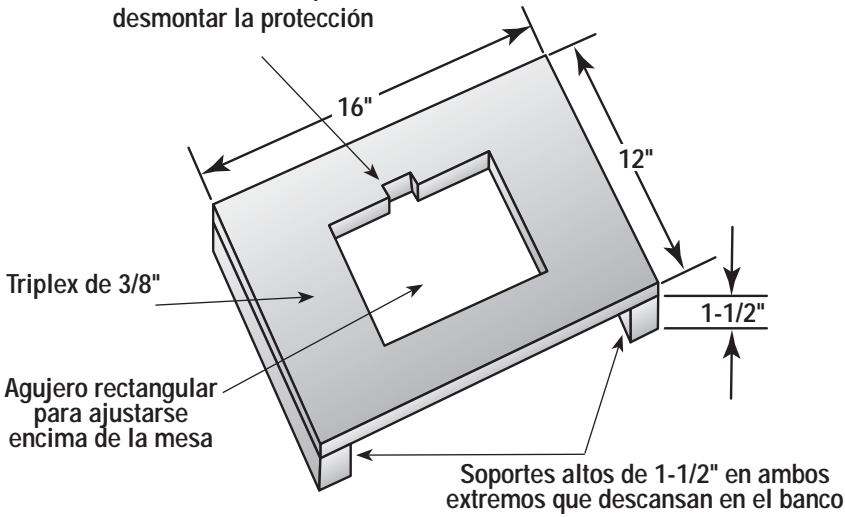
fig. 8



Brocas buriladoras piloteadas	Brocas buriladoras
612	617
615	640
618	650
Broca de calar	652
655	654

fig. 9

Ranura de 1-1/2" para
desmontar la protección



⚠ ADVERTENCIA No coloque el material entre la broca buriladora o el accesorio y la barrera mientras que burile o lije el borde. Esta posición puede causar que el material se bloquee haciendo posible que rebote.

Burilar usando brocas piloteadas

1. Cuando se deben usar brocas con pilotos, mueva la barrera hacia atrás únicamente lo suficiente como para hacer el corte. Mantener la barrera cerca de la broca permite que la barrera sirva como protección trasera. En casos especiales cuando se debe quitar la barrera de la mesa, ajuste el cilindro central de la barrera hacia abajo para proteger en contra de la cortadora giratoria.
2. Sólo se deben usar brocas piloteadas sin la barrera. La pieza de trabajo se debe mantener entre la cortadora y el operador, y se debe avanzar de derecha a izquierda.
3. Avance con la pieza de trabajo hasta pasar la cortadora sin parar y a una velocidad constante. Un cambio en el avance o una extensión causará un corte irregular.

Superficie extendida de la mesa de trabajo

La mesa para moldeador/buril está diseñada para ampliar el tamaño de la superficie de trabajo. Use triplex con alma gruesa sólida de 3/8". Haga un agujero rectangular en el triplex para que se ajuste sobre la mesa y asegure usando (8) #10 tornillos para madera, de 1/2" de longitud. Sostenga la mesa en ambos extremos asegurando apoyos de

madera de 1-1/2" de altura a la base del triplex (vea la figura 9).

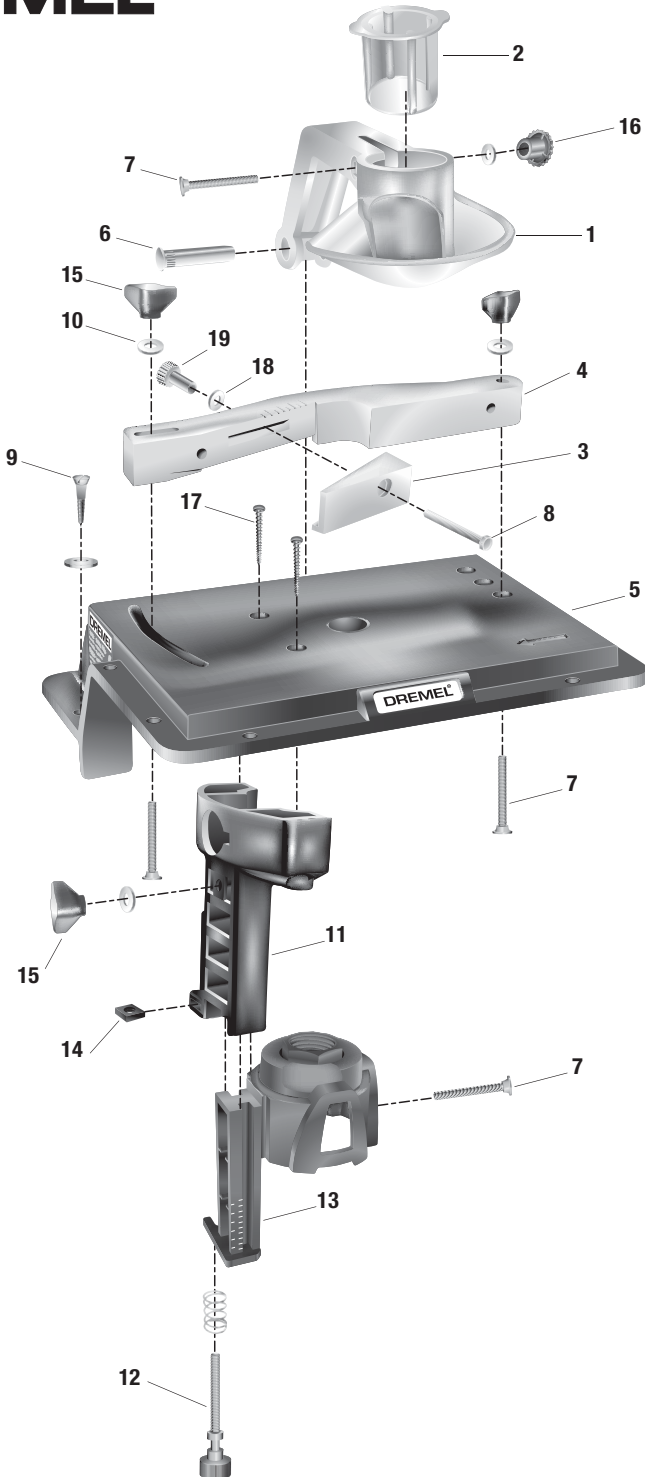
Tornillos y piezas metálicas no incluidas

Lijado con tambor

La mesa para moldeador/buril también es ideal para lijar con tambor partes con formas irregulares como se muestra. Use la lijadora de tambor 407 (1/2") ó 430 (1/4"), con o sin la estructura de la barrera (vea la figura 10).

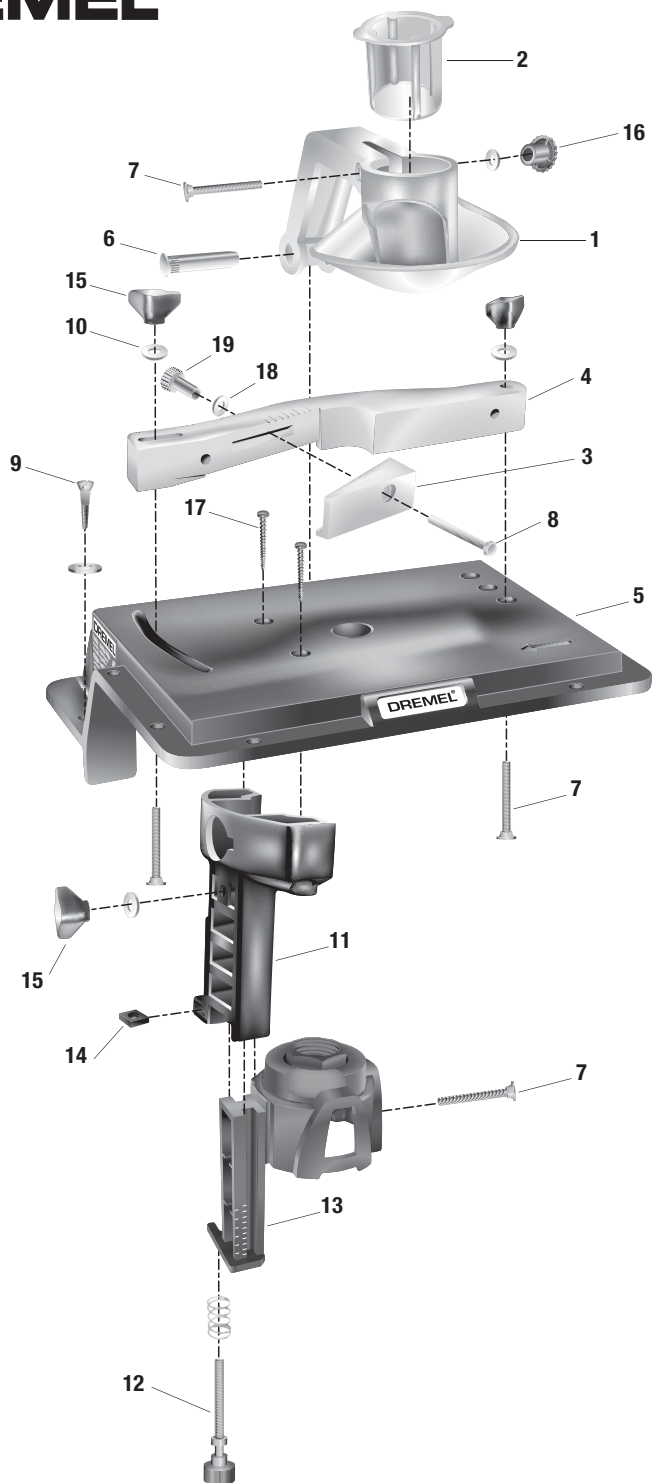
fig. 10





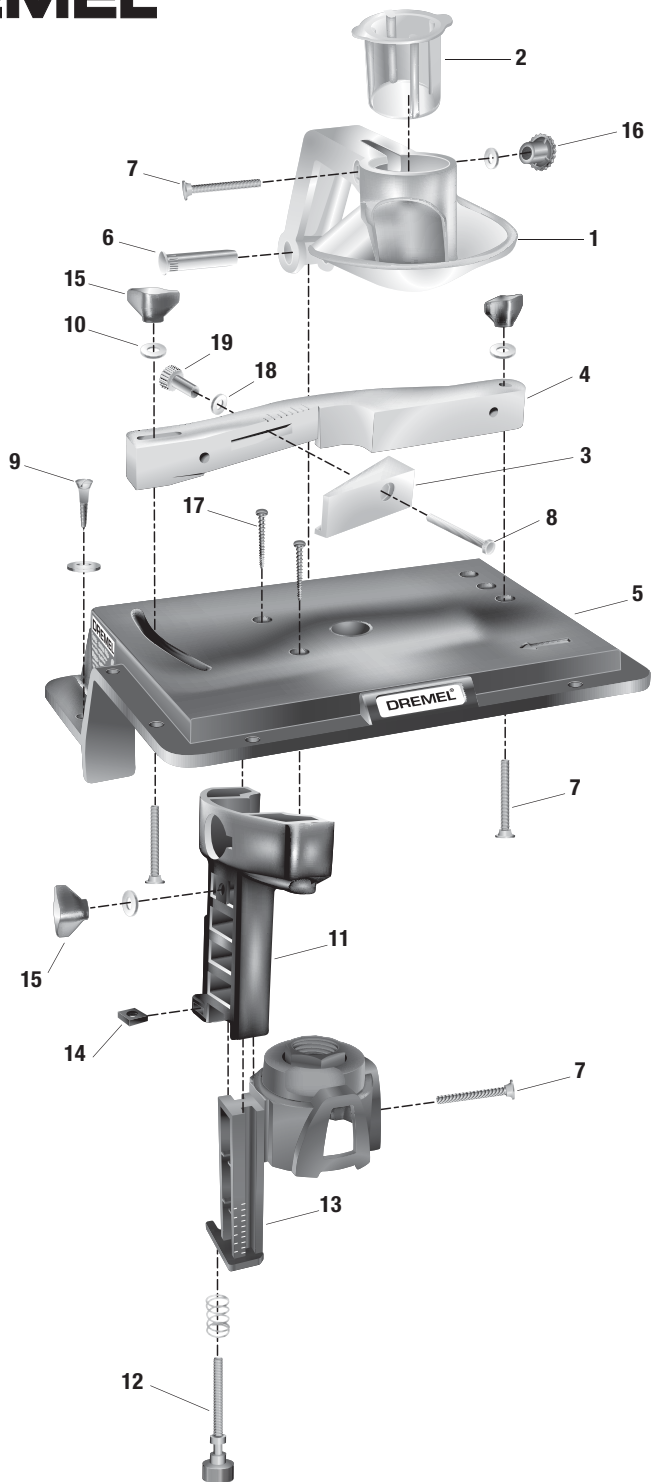
ORDER BY PART NUMBER, NOT CODE NUMBER

CODE NO.	PART NO.	DESCRIPCION
01	2610914499	Guard
02	2610914500	Sleeve
03	2610914501	Wedge
04	2610914502	Fence
05	2610914503	Base
06	2615294999	Pin
07	2615294956	Carriage Bolt 4 Required
08	2615296105	Wedge Clamp Screw 1 Required
09	2615296106	Mounting Screw 4 Required
10	2615294227	Washer 3/16" 7 Required
11	2610914504	Depth Bracket
12	2615294953	Depth Adjustment Screw
13	2610923360	Tool Holder
14	2615294964	Square Nut
15	2610915058	Large Knob 3 Required
16	2615297202	Thumb Nut
17	2615294960	Bracket Screw 2 Required
18	2610910326	Washer #9 1 Required
19	2615294223	Clamp Screw Nut 1 Required
WRITE FOR CURRENT PRICES NO C.O.D.'S		



COMMANDER PAR NUMÉRO DE PIÈCE, NON PAS PAR NUMÉRO DE CODE

NO. DE CODE	NO. DE PIÈCE	DESCRIPTION
01	2610914499	Garde
02	2610914500	Manchon
03	2610914501	Coin
04	2610914502	Guide
05	2610914503	Base
06	2615294999	Goupille
07	2615294956	Boulons mécaniques – 4 requis
08	2615296105	Vis de maintien du coin – 1 requise
09	2615296106	Vis de montage – 4 requises
10	2615294227	Rondelles de 3/16 po. – 7 requises
11	2610914504	Support de profondeur
12	2615294953	Vis de réglage de profondeur
13	2610923360	Porte-outils
14	2615294964	Écrou carré
15	2610915058	Grands boutons – 3 requis
16	2615297202	Écrou à oreilles
17	2615294960	Vis du support – 2 requises
18	2610910326	Rondelle No. 9 – 1 requise
19	2615294223	Écrou de vis de maintien – 1 requise
ÉCRIEZ POUR OBTENIR LES PRIX COURANTS AUCUN ENVOI CONTRE REMBOURSEMENT		



ORDENE USANDO EL NUMERO DE PARTE, NO EL NUMERO DEL CODIGO

CODIGO NO.	PARTE NO.	DESCRIPCION
01	2610914499	Protección
02	2610914500	Manga
03	2610914501	Cuña
04	2610914502	Barrera
05	2610914503	Base
06	2615294999	Alfiler
07	2615294956	Tornillo de carrocería – se requieren 4
08	2615296105	Tornillo de la abrazadera de la cuña – se requiere 1
09	2615296106	Tornillo de montaje – se requieren 4
10	2615294227	Arandela de 3/16" – se requieren 7
11	2610914504	Soporte de profundidad
12	2615294953	Tornillo de ajuste de profundidad
13	2610923360	Soporte de la herramienta
14	2615294964	Tuerca cuadrada
15	2610915058	Perilla grande – se requieren 3
16	2615297202	Tuerca de mariposa
17	2615294960	Tornillo de soporte – se requieren 2
18	2610910326	Arandela #9 – se requiere 1
19	2615294223	Tuerca del tornillo de la abrazadera – se requiere 1
ESCRIBA PARA PEDIR PRECIOS ACTUALES NO COBROS CONTRA ENTREGA		

UNITED STATES
Dremel Service Center
4915 Twenty-First Street
Racine, Wisconsin 53406
1-800-437-3635

ÉTATS-UNIS

OR

ESTADOS UNIDOS
Dremel Service Center
4631 E. Sunny Dunes
Palm Springs, CA 92264
1-800-275-2052

CANADA
Giles Tool Agency
47 Granger Av.
Scarborough, Ont.
Canada M1K 3K9
1-416-287-3000

**OUTSIDE CONTINENTAL
UNITED STATES**

À L'EXTÉRIEUR DU TERRITOIRE
CONTINENTAL DES ÉTATS-UNIS

**FUERA DE LOS 48 ESTADOS
CONTIGUOS**

See your local distributor or
write to:

Consultez votre distributeur local
et écrivez à:

Visite su distribuidor local o
escriba a: