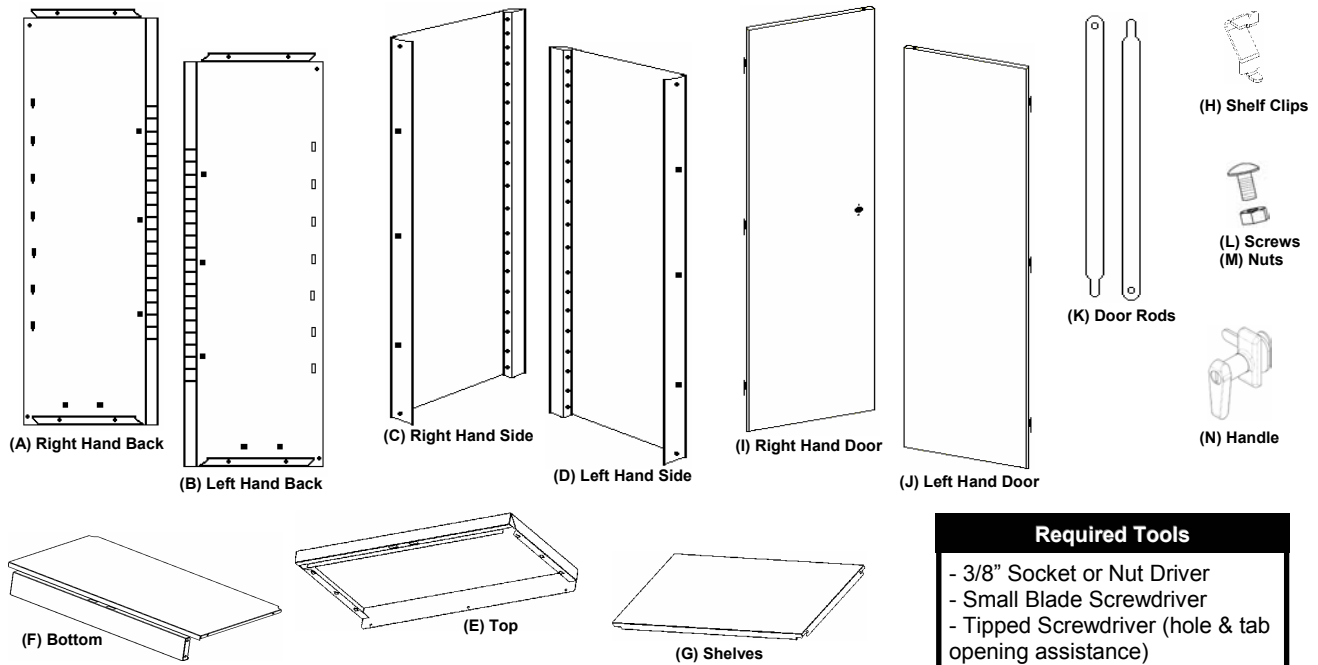


CB Series Storage Cabinets

MODEL NUMBER (s)
CB6600 - CB7000 - CB7001



Safety Instructions

Use Caution when handling and assembling metal parts. The metal may have sharp edges or corners. The use of protective gloves is recommended. Do not use this unit for anything that is outside the designed function of storage. Do not store loose or heavy items on the top shelves or on the top of the unit, for they create a falling hazard that can injure yourself or others. Always remember to use proper lifting techniques when moving either the boxed or assembled unit.

General instructions

It is recommended that the cabinets are assembled by more than one person. Use of a raised flat surface during assembly is highly recommended. During shipping and handling, some of the tabs that are used for assembly may have closed together. Use a flat tipped screwdriver to either pry up or push from behind the tab to re-open. To assure the squareness of the unit, do not fully tighten the nuts and screws used in the assembly until all are in place. After all nuts and screws are in place, square the unit and tighten all nuts and screws appropriately. Make sure that the unit is placed on a level surface, as this may effect the performance of the unit.

Part List & Product Specification : CB6600 CB7000 & CB7001 Series Storage Cabinets (patent pending)

Reference	Description	CB6600 - 3 Shelf - 72"h x 18"d x 36"w		CB7000 - 4 Shelf - 72"h x 18"d x 36"w		CB7001 - 2 Shelf - 42"h x 18"d x 36"w	
A	Right Hand Back	1	CCBK6615R	1	CCBK7218R	1	CCBK4218R
B	Left Hand Back	1	CCBK6615L	1	CCBK7218L	1	CCBK4218L
C	Right Hand Side	1	CCSD6519R	1	CCSD7122R	1	CCSD4122R
D	Left Hand Side	1	CCSD6519L	1	CCSD7122L	1	CCSD4122L
E	Top	1	CCTO3520	1	CCTO4123	1	CCTO4123
F	Bottom	1	CCBO3021	1	CCBO3624	1	CCBO3624
G	Shelves	3	CCSH3116	4	CCSH3719	2	CCSH3719
H	Shelf Clips	6	7000CLP	8	7000CLP	4	7000CLP
I	Right Hand Door	1	CCDO6115R	1	CCDO6718R	1	CCDO3718R
J	Left Hand Door	1	CCDO6115L	1	CCDO6718L	1	CCDO3718L
K	Door Rods	2	CCDR2900	2	CCDR3200	2	CCDR1200
L	Screws (unslotted)	12	F102438S	12	F102438S	12	F102438S
M	Nuts	12	F1024N	12	F1024N	12	F1024N
N	Handle	1	201L	1	201L	1	201L

Should you have any comments, damage, missing parts, or problems with assembly of this unit please feel free to contact our Edsal manufacturing facility at, (773) 475-3000 and request customer service. We can also be reached on the internet at the following email address : customerservice@edsal.com.

To obtain replacement parts, please provide the following information :

- Model # - Part # & Description - Location Purchased - Date Purchased

Consumer Products Division
Edsal Manufacturing Company
4400 South Packers Avenue
Chicago, IL 60609
www.edsal.com

Important Please Read First

This instruction sheet was designed to help you assemble this unit in the proper way, please follow them using all parts and fasteners provided. Any alteration or deviation from this instruction sheet can result in unit failure. If you have any assembly problems or questions, please feel free to contact our Edsal manufacturing facility at (773) 475-3000 during the hours of 9:00 a.m. to 5:00 p.m. central standard time and ask for customer service. We have people available to assist you if need be with any part of this assembly process.

IT IS HIGHLY RECOMMENDED TO ASSEMBLE THIS UNIT AT EYE LEVEL, AND WITH THE HELP OF AN ADDITIONAL PERSON. Using a **RAISED** surface such as a **TABLE** or **DESK**, will greatly **EASE** the **ASSEMBLY PROCESS**. Assembly attempted on a much lower surface such as the floor, is still possible but does make the assembly process longer and harder. During the shipping and handling of this product, some of the panels may have a **MINOR** bend such as on a corner, door hinge pin, or a tab. This minor variation can be **REPAIRED SIMPLY** by using a **SMALL TOOL** or your **HAND** to move the material back to its designed form. A example will be outlined in the **“GETTING STARTED”** section listed below. Some of the materials used in the packaging to protect the parts from damage may leave dust or smudges on the steel panels. It is **RECOMMENDED AFTER ASSEMBLY IS COMPLETE** to use a **MILD SOAP** and **WATER** with a **SOFT CLOTH** to wipe the unit clean.

Getting Started

This assembly process uses tabs, screws, and nuts to hold the parts together. To speed the assembly process, have a 3/8" nut driver or socket, and a small tipped screwdriver ready. Also have your packaged hardware at close reach. After unpacking all the panels, visually inspect the corners. These are the most susceptible to damage through the shipping and handling process. If you find a corner bent out of place, use your hand and gently move the corner back to the designed shape. Also during shipping and handling some of the tabs used for engaging the panels together may have become closed. Visually inspect all panels and if found that some are closed, use a small tipped screwdriver to push the tabs from behind to open slightly. A example of pushing the tabs out and how the engagement process works, is shown below.

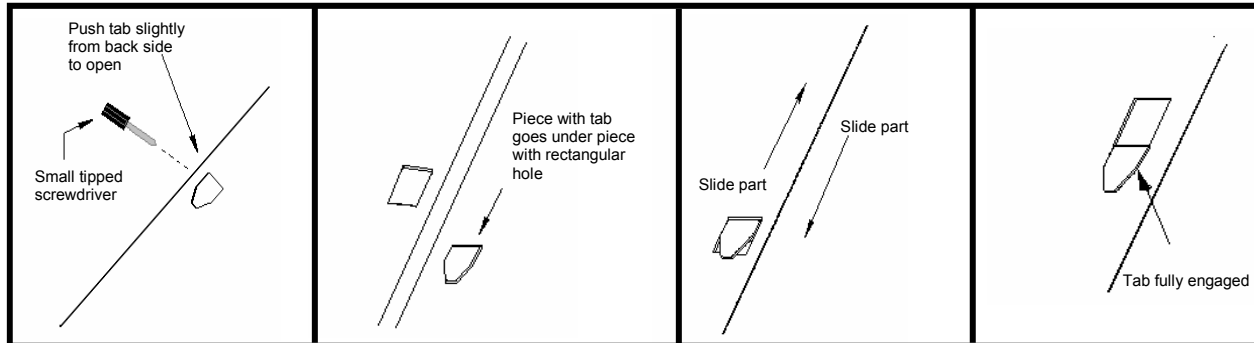
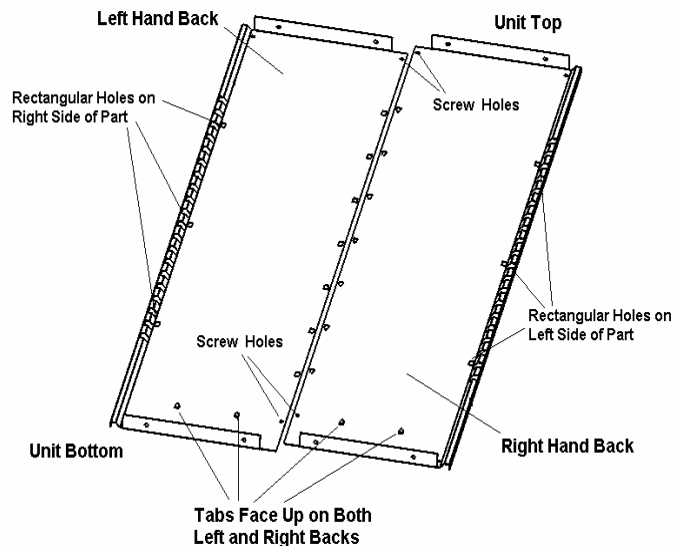


Figure 1– Back Assembly

Step 1 - Back Assembly

Place the left and right hand backs on a level surface. Position the parts so that all the tabs are facing up. Place the part with the rectangular holes (left hand back) over the part with the tabs (right hand back). Making sure the tabs ride into the rectangular holes, slide the backs together. Check to make certain that all the tabs and rectangular holes have engaged completely and that the screw holes on the back panels have properly aligned (see figure 1 for references). Use your small tipped screwdriver to assist in aligning the screw holes if necessary.



Step 2 - Side Assembly

First step is to identify the right side panel and the left side panel. Identify by taking one of the panels and place the tab edge facing down. Notice the hinges are now facing up. Now look at the top and bottom edges. The top has a round and square hole, and the bottom has two round holes (see figure 2 for references). Place the corresponding side panel under the back assembly making sure the tabs of the side panel ride into the rectangular holes of the back assembly. Slide the parts together making sure that the tabs and rectangular holes fully engage (if properly completed, the side and back assembly will be even at both ends, and the bottom screw hole will be aligned). After assuring the correct side is fastened to the back assembly and the tab engagements are complete, use a # 10-24 screw and nut to fasten the side panel to the back assembly (screw locations are located at the bottom of the unit, see figure 2 for locations). Repeat the same process for the opposite side panel.

Figure 2 - Side Assembly

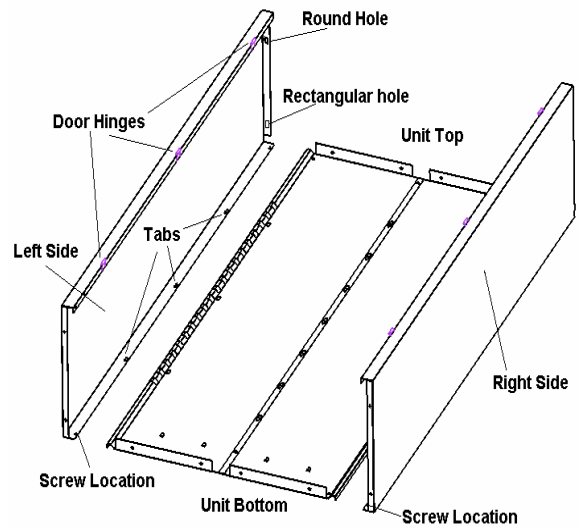


Figure 3 - Top Assembly

Step 3 - Top Assembly

Attach the top to the back and side assembly. Position the top so that the tabs on the top align with the rectangular holes on the top end of the left and right side panels. It helps to slightly lift the back and side assembly and engage the tabs one at a time. Check to make sure the tabs have engaged properly and that the screw holes have aligned (use your small tipped screwdriver to assist in aligning the holes if necessary). Using five (5) # 10-24 screws and nuts, finalize the attachment of the top to the side and back assembly (see figure 3 for screw locations).

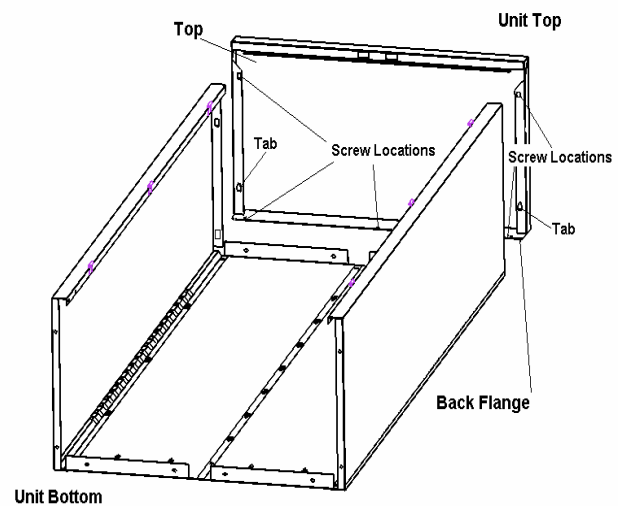
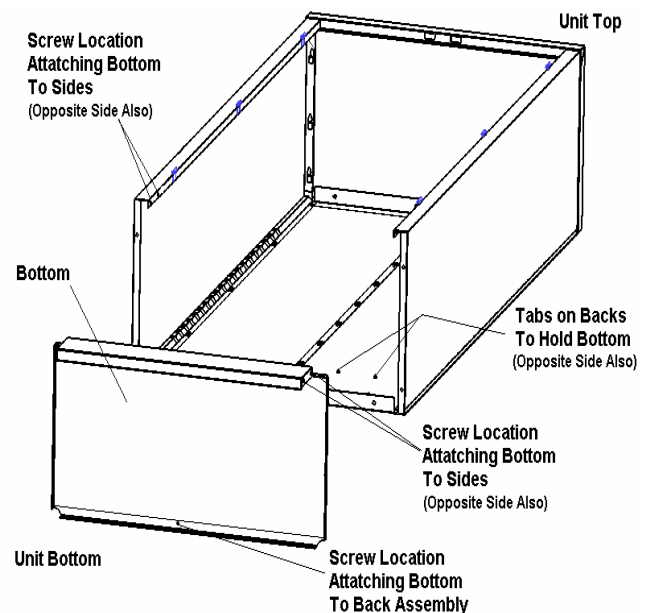


Figure 4 - Bottom Assembly

Step 4 - Bottom Assembly

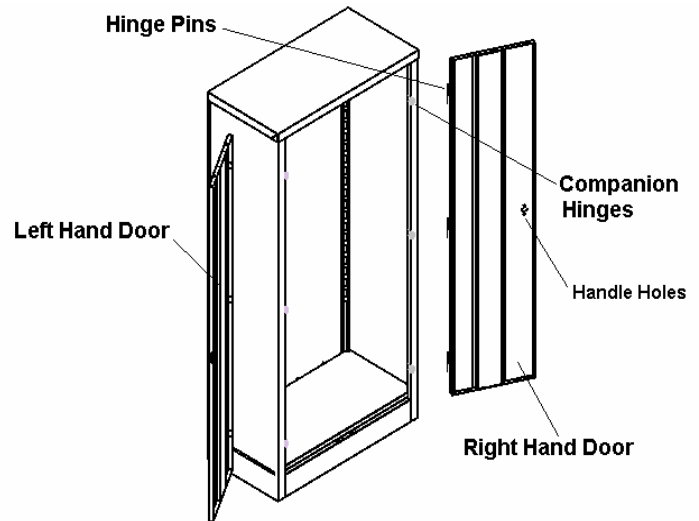
The back, side, and top assembly is ready for the bottom. Holding the bottom from the largest formed side (front), place the bottom onto the inside of the back, side, and top assembly. The rear part of the bottom will slide down onto four (4) tabs located on the back assembly. Once all tabs have been properly engaged, move the front of the bottom into position so that the four (4) screw holes align with the left and right side panels (use your small tipped screw driver to assist in aligning the holes if necessary). Using four (4) of the # 10-24 screws and nuts, attach the bottom to the sides (see figure 4 for screw locations). Also use one (1) screw and nut and fasten the bottom to the back assembly (again see figure 4 for screw location).



Step 5 - Door Assembly

First the unit needs to be squared. Turn the unit upright and place on a level floor. Loosen and re-tighten the screws appropriately to ensure the unit is square. Now the doors are ready to be hung. With the hinge pins pointed down, select the door with three (3) holes for the handle cutout (see figure 5 for assistance). This is the right hand door. Take the right hand door and align the door's hinge pins with the companion hinges located on the right side panel. Some of the hinge pins may have moved or come out of alignment during shipping and handling. If so, move the hinge pins back to the proper position so that they align with the companion hinge holes. Slowly slide the hinge pins into the holes to properly seat the door. Repeat the same process for the left hand door.

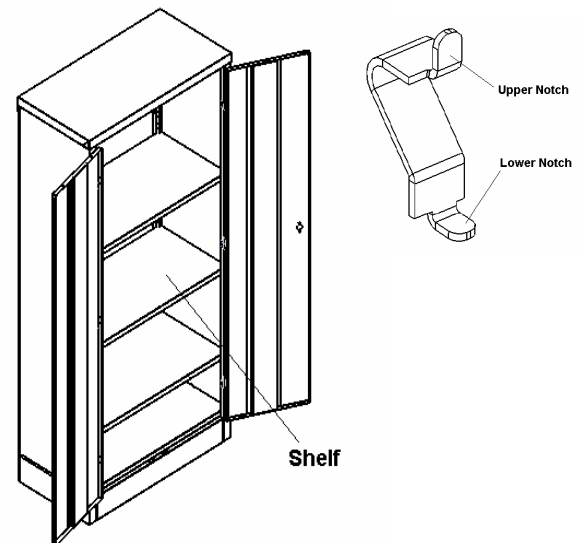
Figure 5 - Door Assembly



Step 6 - Shelf Assembly

The unit is now ready for the shelves. Holding the shelf, notice there are square and round cutouts on the edge of the part. The square cutouts will install to the back of the unit, and the round to the front. First select a level for the shelf by selecting a set of square notches located inside the unit on the back left and back right sides. A series of round holes are located on the inside of the left and right hand side panels near the hinges. Using a shelf clip, insert the upper notch into a round hole opposite the selected square holes where the shelf is to be located. Push and "snap" the lower notch of the clip into place using the next lowest round hole. Repeat the shelf clip installation on the opposite corresponding side. To insert the shelf, place the end with the square cutout to the rear of the unit. Angle the shelf so that the shelf will engage the square notches on the back and lower onto the front shelf clips. Repeat the process for all remaining shelves.

Figure 6 - Shelf Assembly



Step 7 - Final Assembly

To complete the unit, the locking handle needs to be installed on the right hand door. Follow carefully the assembly instructions as written on the handle hardware bag. Helpful hints on installation: The door rods will slide into small plastic guides on the door. Install the handle to the right hand door, then place the cam in position. Slide the tip of the door rod into the lower plastic guide and position the door rod onto the pin located on the cam and hold it in place. Install the other door rod in the upper plastic guide and position onto pin located on the cam. Install the remaining hardware.

Figure 7 - Final Assembly

