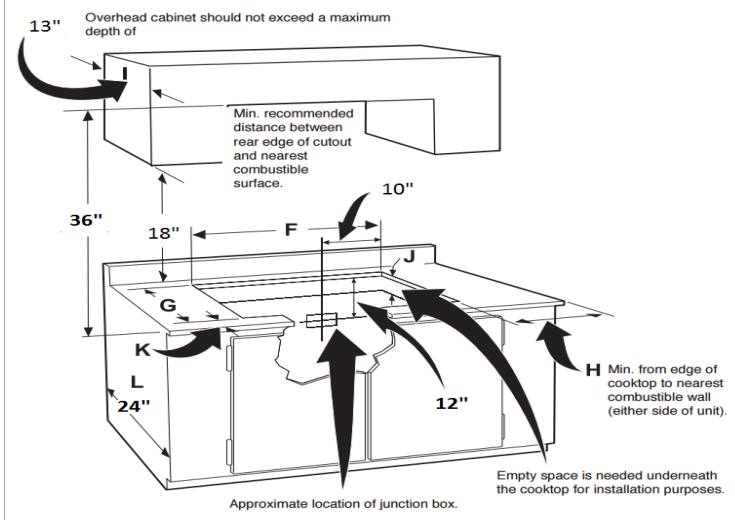


### COOKTOP BURNER SIZE /WATTAGE / BTU

Cooktop Burner Type	Radiant
No of Elements	5
Left Rear	8" / 1900W
Right Rear	6" / 100W
Center Rear	7" / 1500W
Left Front	6" / 1200W
Right Front	9" 6" / 3000W/1400W



### DIMENSIONS AND CLEARANCES

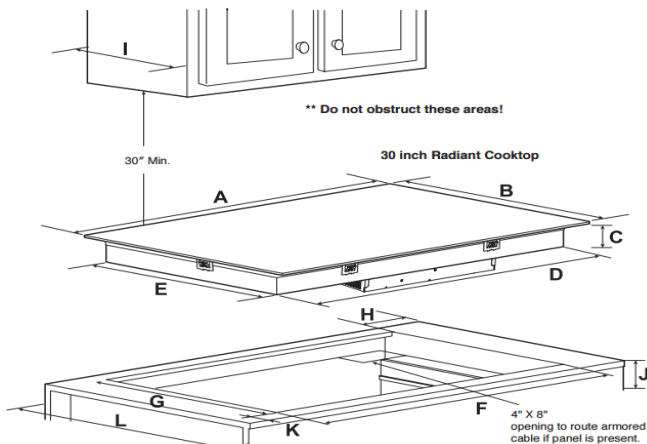


### DIMENSIONS / WEIGHT

Cooktop Width	A	30-27/32"
Cooktop Depth	B	21-29/64"
Cooktop Height	C	3-3/4"
Insert Width	D	29-3/8"
Insert Depth	E	20-1/4"
Cut out Width	F	29-3/8"
Cut out Depth	G	20-1/4"
Cut out Height	J	5-23/32"
Upper Cabinet Depth	I	13"
Lower Cabinet Depth	L	24"
Front Setback	K	2-1/2"

### IMPORTANT INSTALLATION INFORMATION

- All electric cooktops run off a single phase, three-wire or four-wire cable, 240/208 volt, 60 hertz, AC-only electrical supply with ground.
- Minimum distance between cooktop and overhead cabinetry is 30"
- Make sure the cabinets and wall coverings around the cooktop can withstand the temperatures (up to 93°C [200°F]) generated by the cooktop.



Allow 2" space below the armored cable opening to clear the electric cable and allow space for installation of the junction box on the wall at the back of the cooktop.

### POWER / RATINGS / UPC CODE / WARRANTY

KW Amp Rating at 240V	7.7KW
KW Amp rating at 208V	5.8kW
Power cable location	Right Rear
Requirements	240VAC/208VAC
Max Load	240V 40 Amp, 208V 30 Amp
Electric Supply	240V/208V, 60Hz AC
UPC CODE	048231 317115
Limited Warranty	1 year
Package Height	8-1/16"
Package Depth	24-29/32"
Shipping Weight	Approx. 40