

Item # : BR4DLYDDR

Assembly Instructions



Walker
Edison®

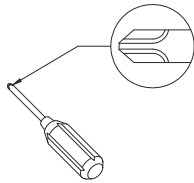
Please visit our website for the most current instructions, assembly tips, to report damage or request parts. www.walkerredson.com

Revised 10/2019

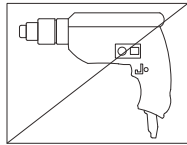
Copyright © 2018, by Walker Edson Furniture Co., LLC, All rights reserved.

General Assembly Guidelines

- I. Ensure that all parts and hardware are available before beginning assembly.
- II. Follow each step carefully to ensure the proper assembly of this product.
- III. Two people are recommended for ease in the assembly of this product.
- IV. The three main types of hardware used to assemble this product are wood dowels, screws and bolts.
- V. A Phillips head screwdriver is required for the assembly of this product.



- V I. Power tools should not be used to assemble this product.

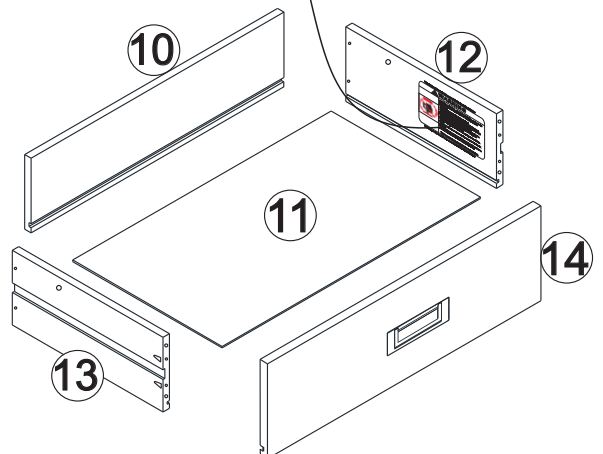
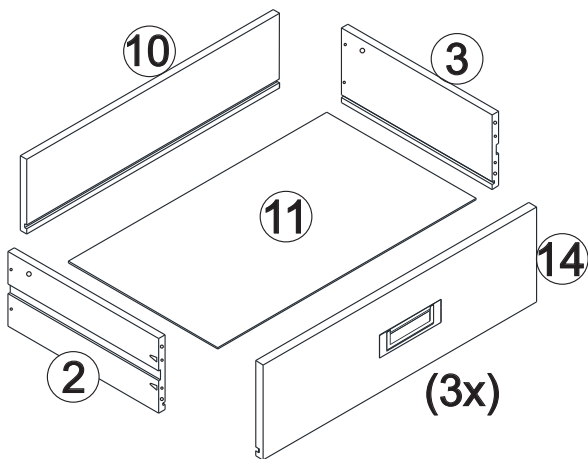
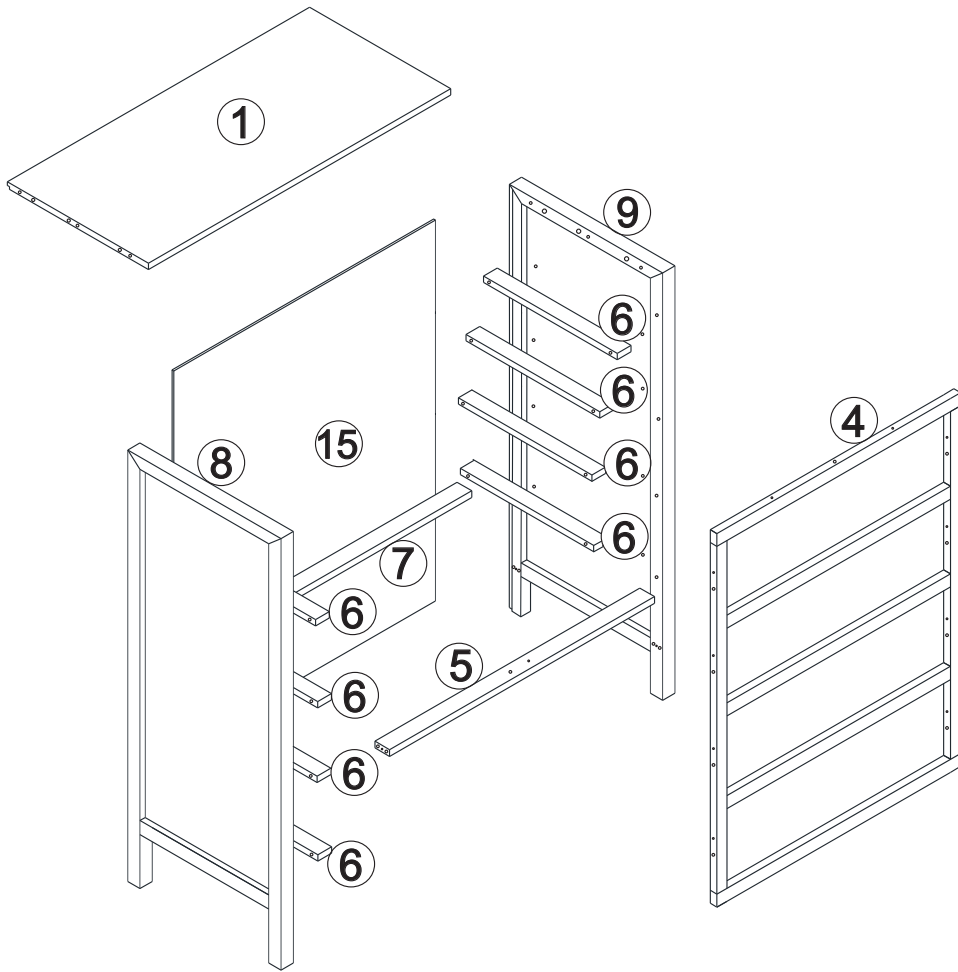


VII. Maintenance Guide

To maintain long term performance and easy gliding of your solid wood drawers, we recommend applying wax to the wooden guide rails.

1. Bee's wax is recommended or Paraffin wax from a standard candle can be used.
2. Apply the wax by rubbing it on the wooden guide rails where there is wood-on-wood contact when opening and closing the drawer. (Wax should be room temperature, do not melt the wax onto the wood)
3. Wax should be applied every few months for the first year and then only when needed after that to keep the drawers sliding smoothly.

Parts List

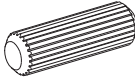
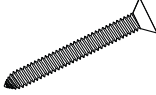


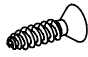
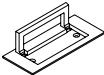








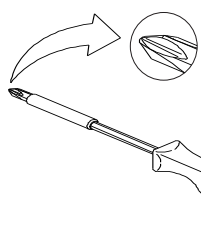
This drawer side needs to be assembled in the highest drawer

⚠ WARNING	
	<p>Serious or fatal crushing injuries can occur from furniture tip-over. To help prevent tip-over:</p> <ul style="list-style-type: none"> - Install tipover restraint provided. - Place heaviest items in the lowest drawers. - Do not set TV's or other heavy objects on top of this product, unless the product is specifically designed to accommodate them. - Never allow children to climb or hang on drawers, doors, or shelves. - Never open more than one drawer at a time. (DF) - Do not defeat or remove the drawer interlock system - Use of tip-over restraints may only reduce, but not eliminate, the risk of tip-over.
	<p>This is a permanent label. Do not remove!</p>

This drawer side needs to be assembled in the highest drawer

Hardware List

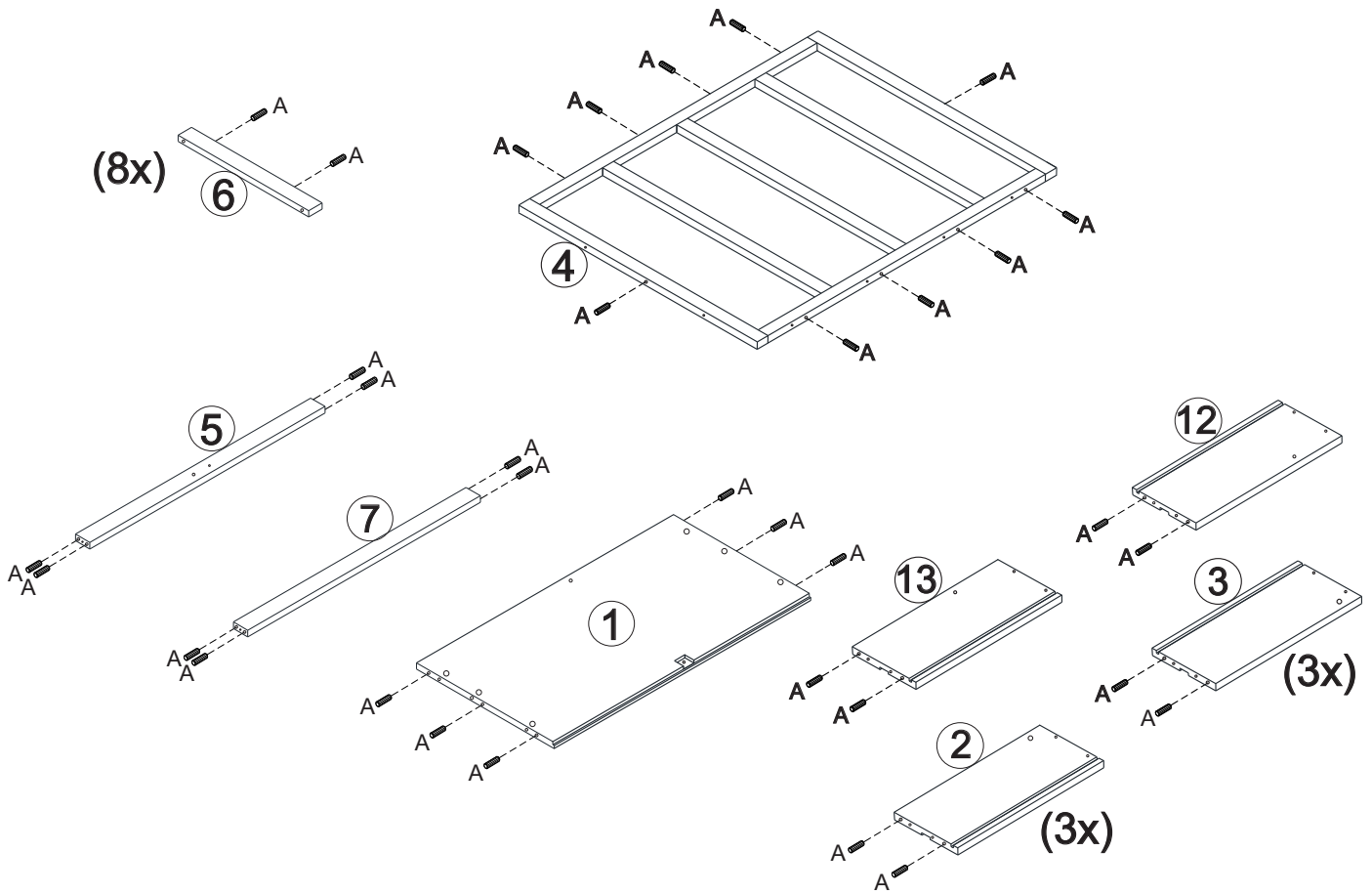
A		Ø8,0 x 30mm	Wood Dowel	64x
B		Ø4,0 x 40mm	Screw	27x
C		Ø4,0 x 30mm	Screw	37x
D		Ø14 x 14mm	Cam Lock	6x
E		Ø3,0 x 12mm	Screw	8x
F		96 x 40mm	Puller	4x
H		Ø10 x 10mm	Nail	22x
I		Ø5,5 x 28mm	Cam Bolt	6x
J			Screw	1x
K			Washer	2x
L		Ø3,5 x 14mm	Screw	1x
M			6mm	1x



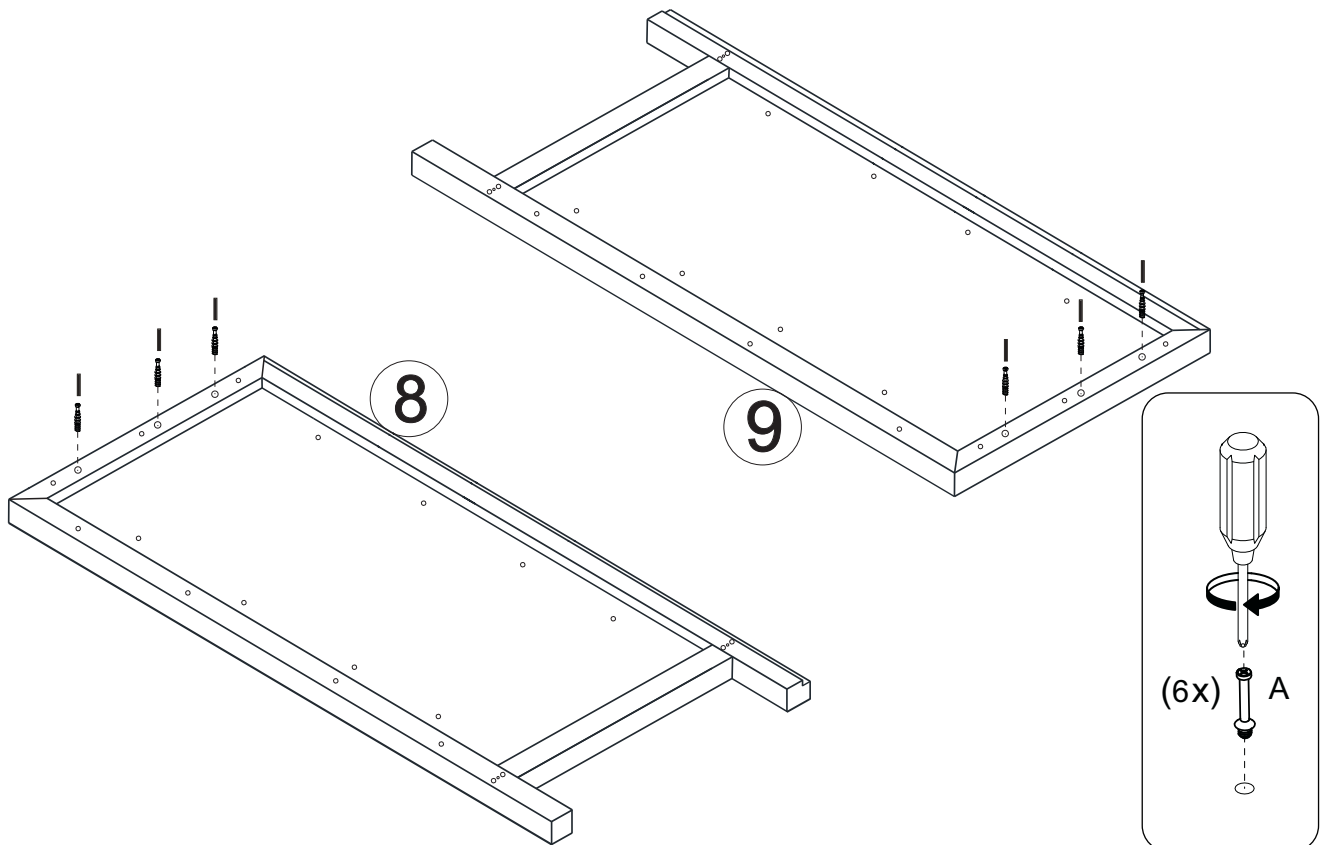
Philips head screwdriver required for assembly
(not included)

The hardware quantities listed above are required for proper assembly
Some extra hardware may also have been included

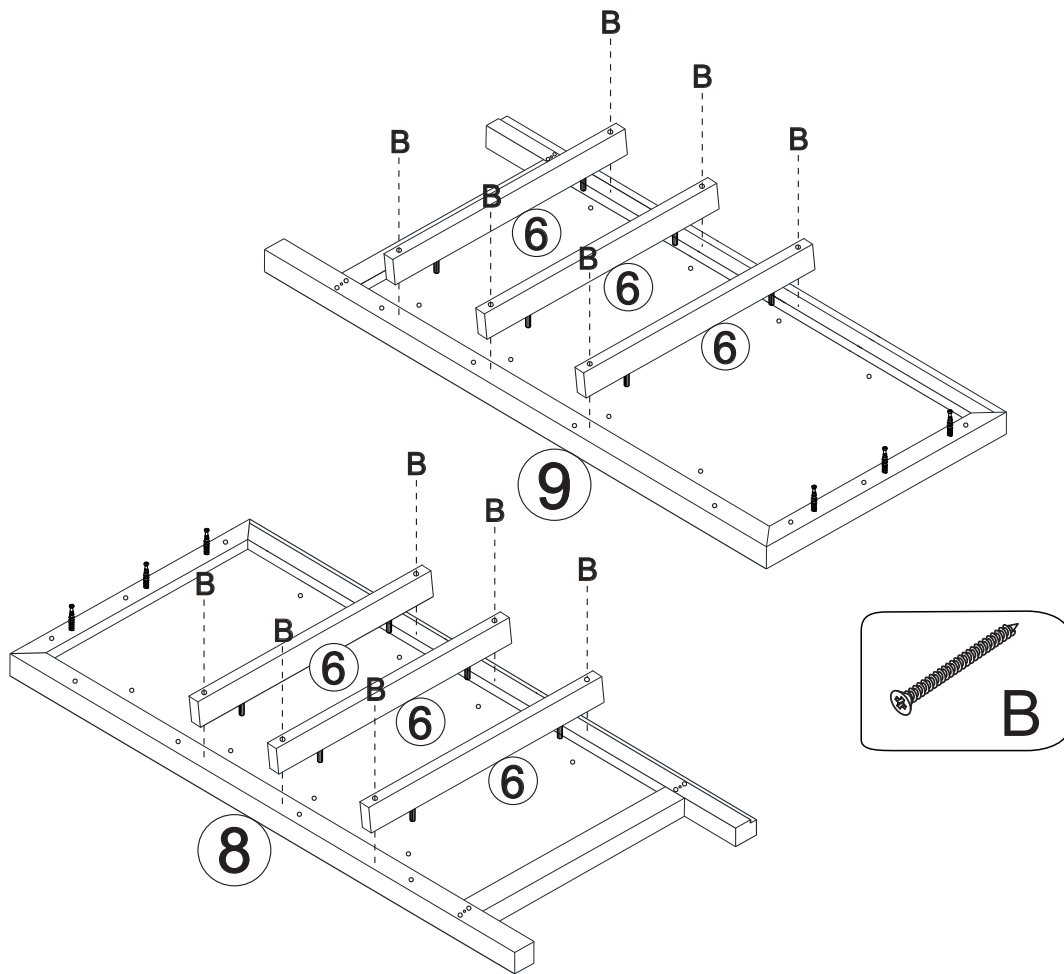
Step 1 Insert wood dowel A(x56) into parts (1),(2),(3),(4),(5),(6),(7),(12),(13)



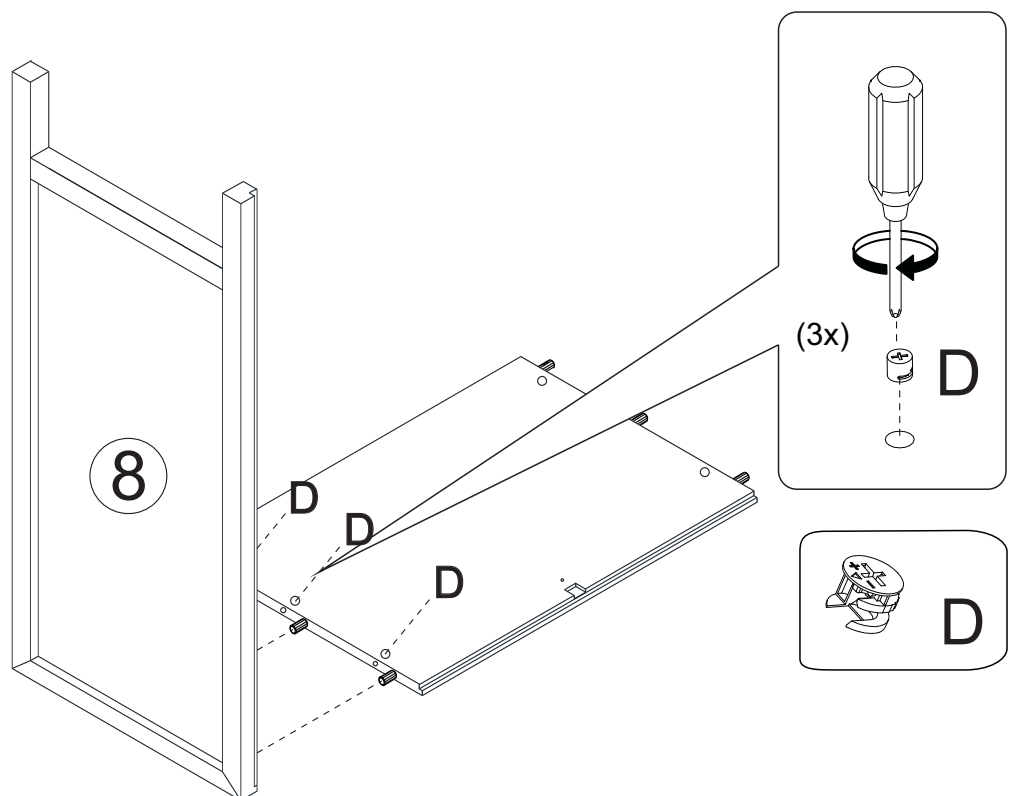
Step 2 Insert Cam Bolt I (x6) into parts (8),(9).



Step 3 Insert screw B (x12) into parts (6),(8),(9).

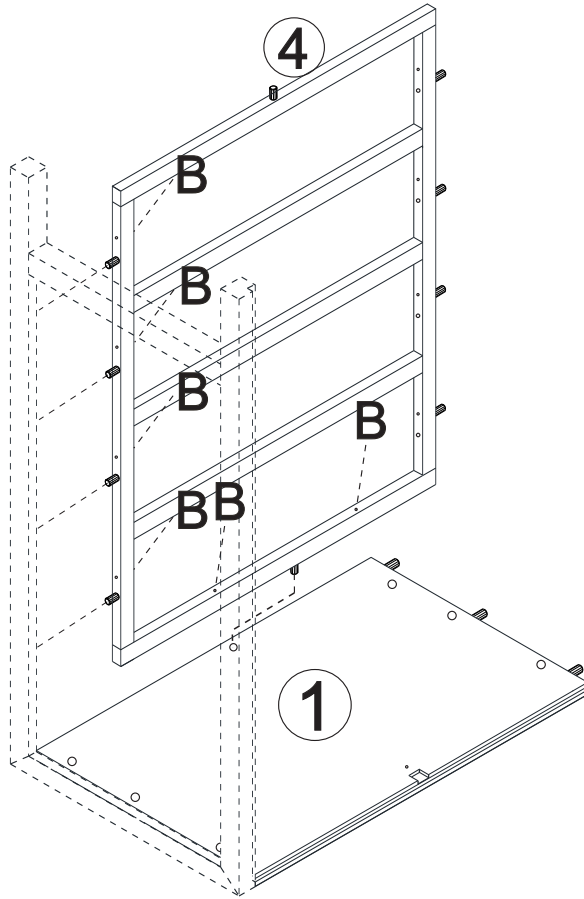


Step 4 Insert Cam Lock D (x3) into parts (1),(8).



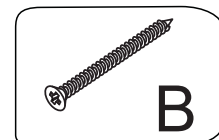
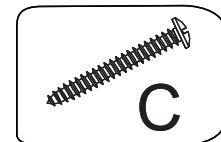
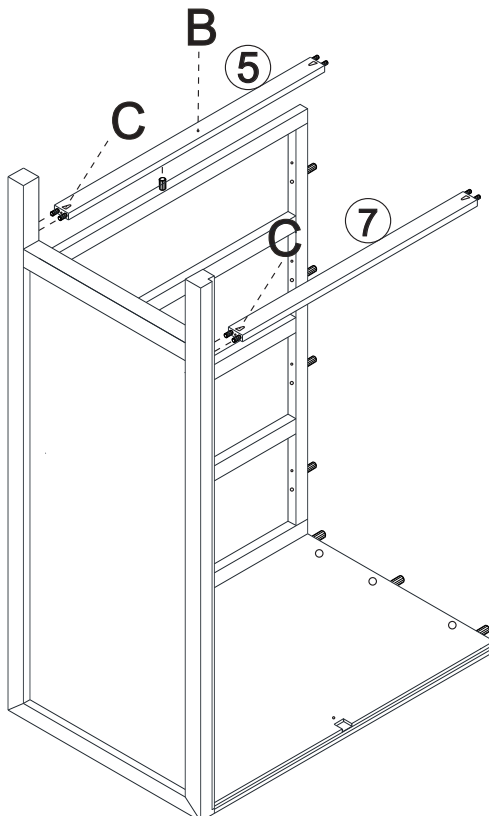
Step 5

Insert screw B (x6) into parts (1),(4).

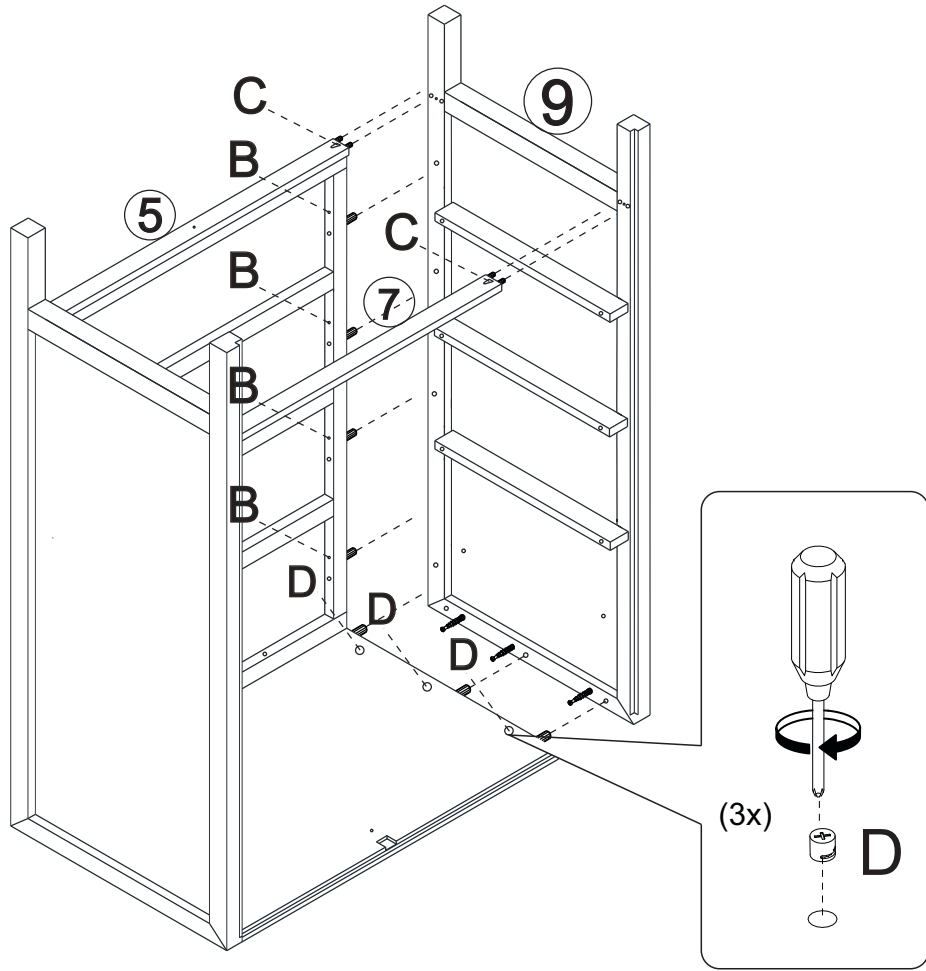
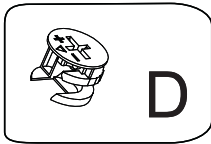
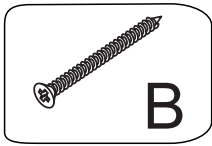
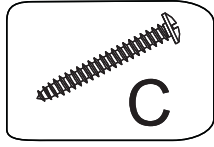


Step 6

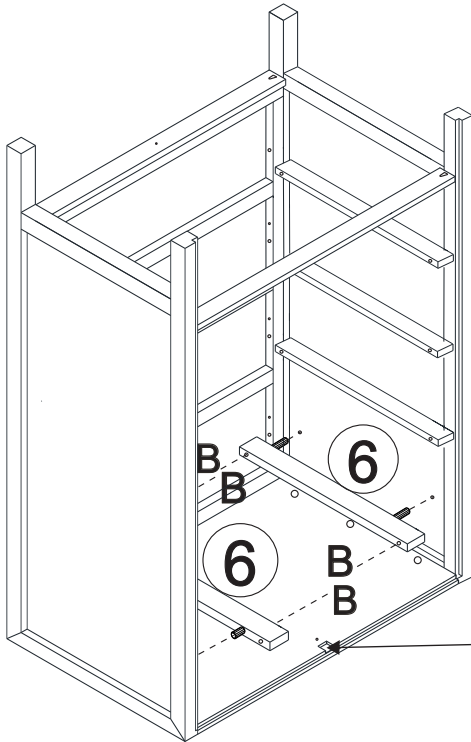
Insert screw B (x1), C (x2) into parts (5),(7).



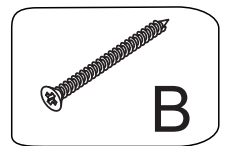
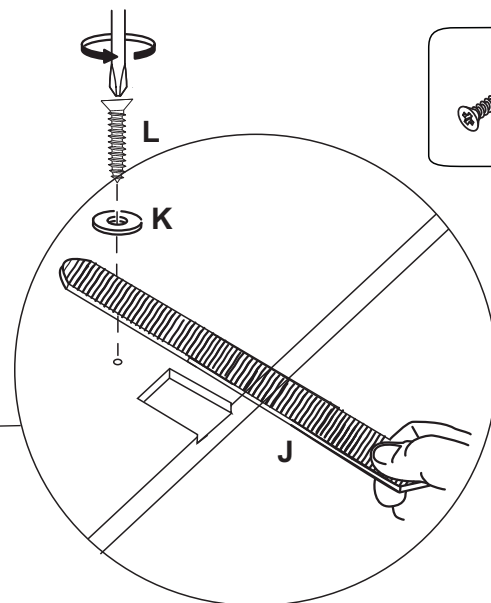
Step 7 Insert screw B (x4), C (X2) Cam lock D (x3) into parts (5),(7),(9).



Step 8 Insert screw B (x4) into parts (6).

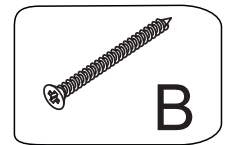
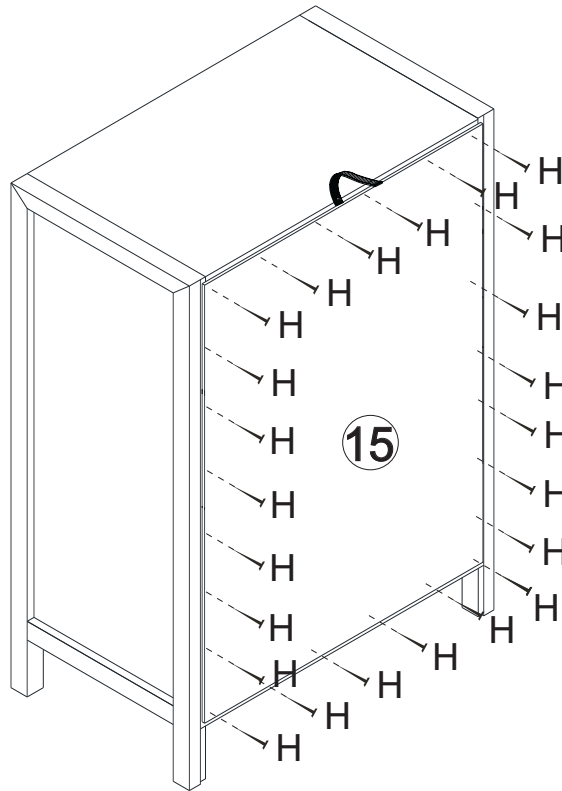


J		1x
K		2x
L	Ø3,5 x 14mm	1x

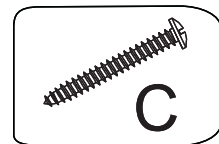
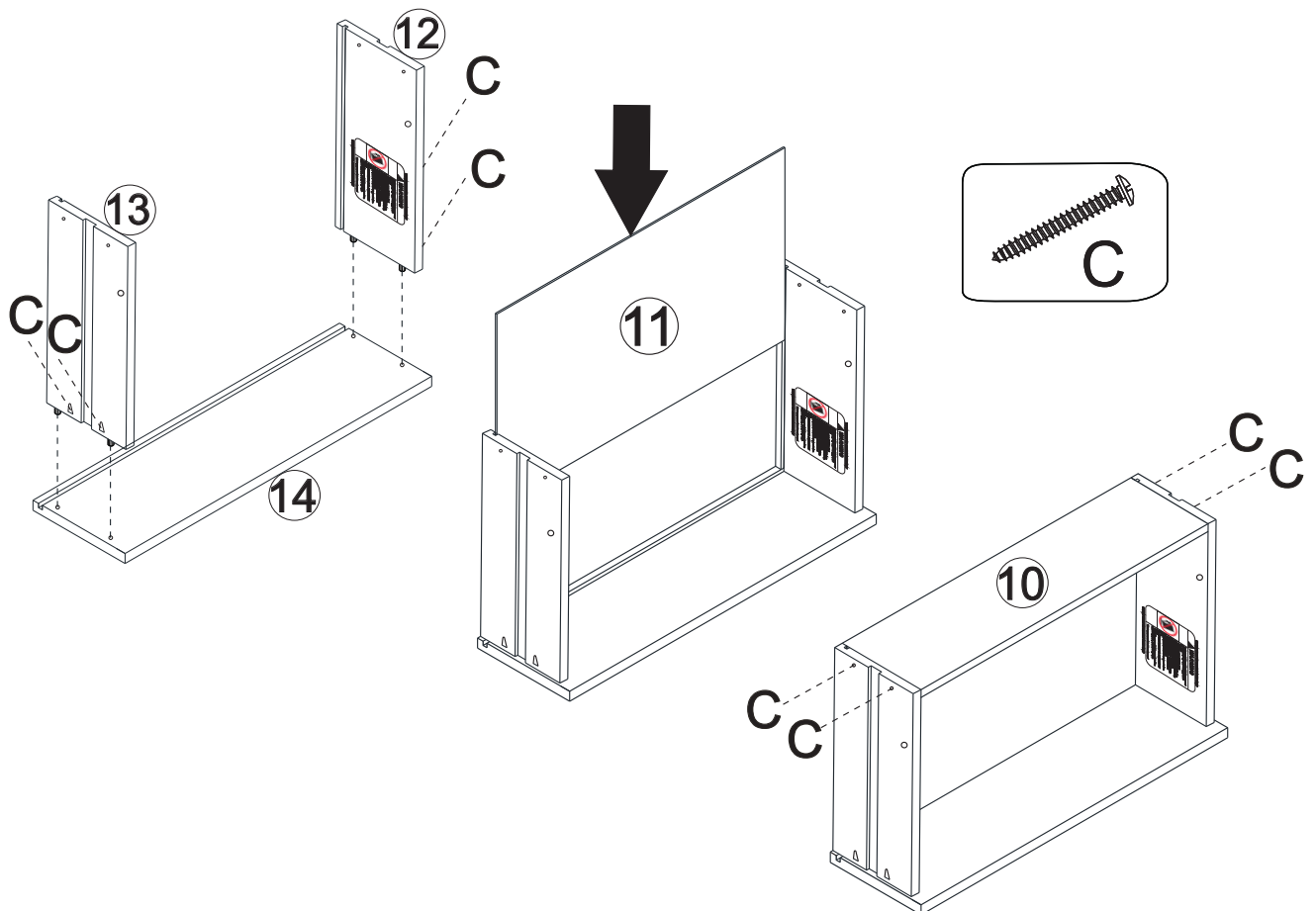


Attach Part (J) to the cut-out with Screw (L) and Washer (K) inside the unit

Step 9 Let the Ribbon (J) to outside and Insert Nail H (x22) into parts (15)

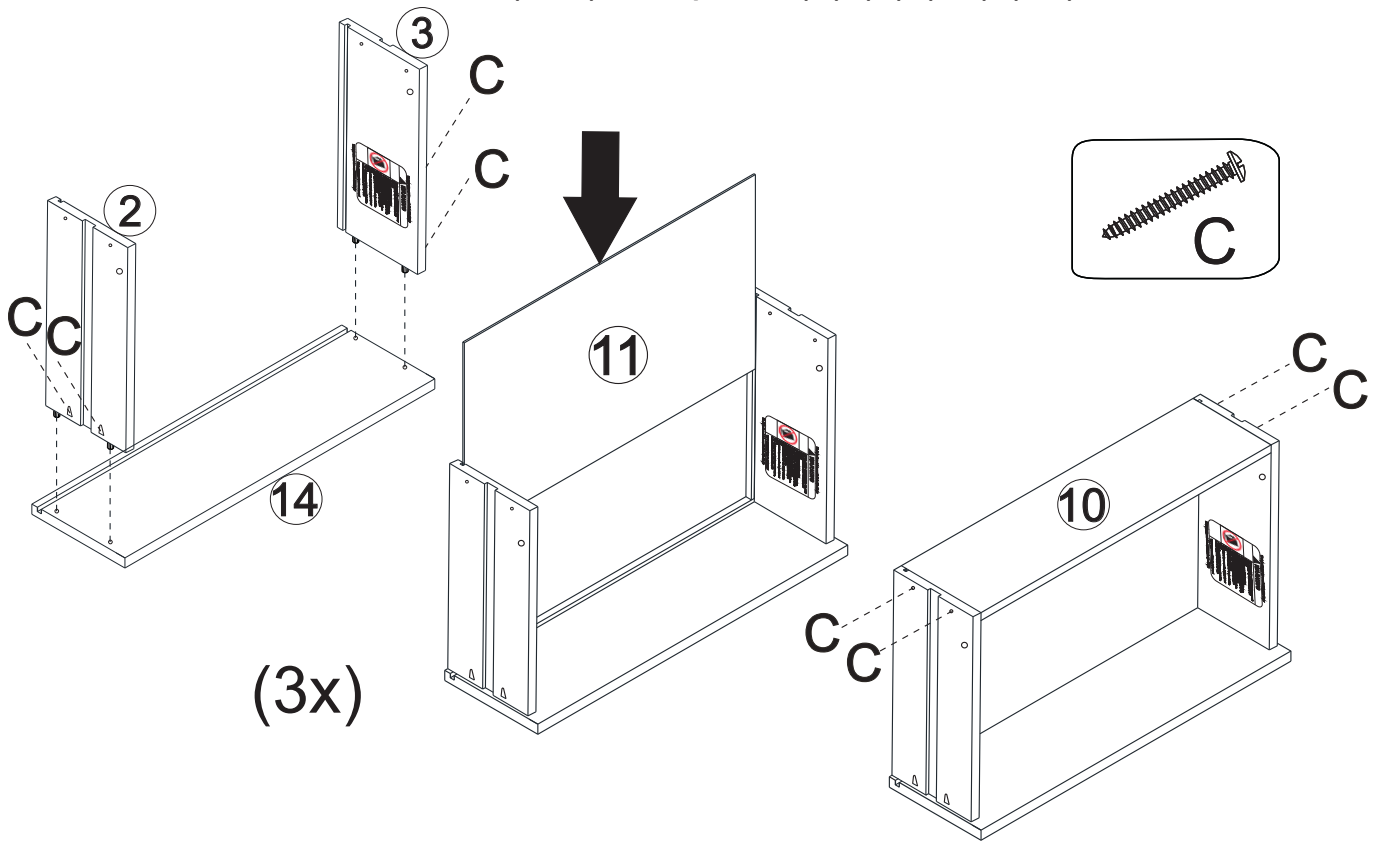


Step 10 Insert screw C (x8) into parts (10),(12),(13),(14).



Step 11

Insert screw C (x24) into parts (2),(3),(10),(14).

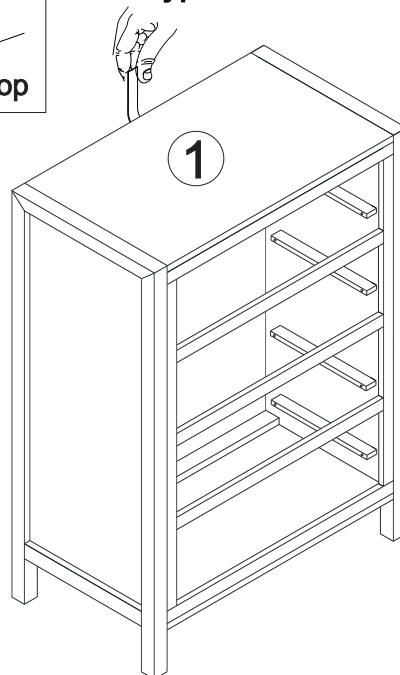
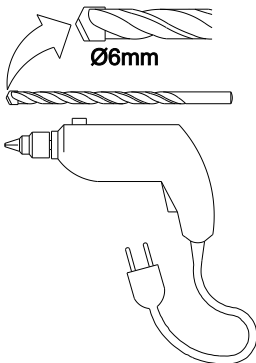
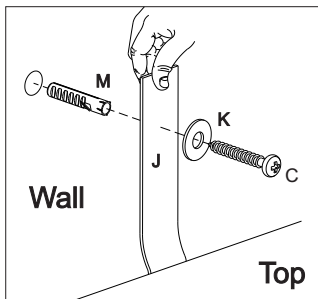


Step 12

WARNING

Serious or fatal injuries can occur from furniture tipping over. To prevent the furniture from tipping over we recommend that it is permanently fixed to the wall.

Wall anchor and hardware are included with this product. Please make sure hardware is suitable for your walls before installing, as different wall materials may require different types of anchors.



With drilling machine make one hole in the wall, Insert part (M) in the hole.

Secure part (K) with Screw (C) and Washer (L), in the wall.

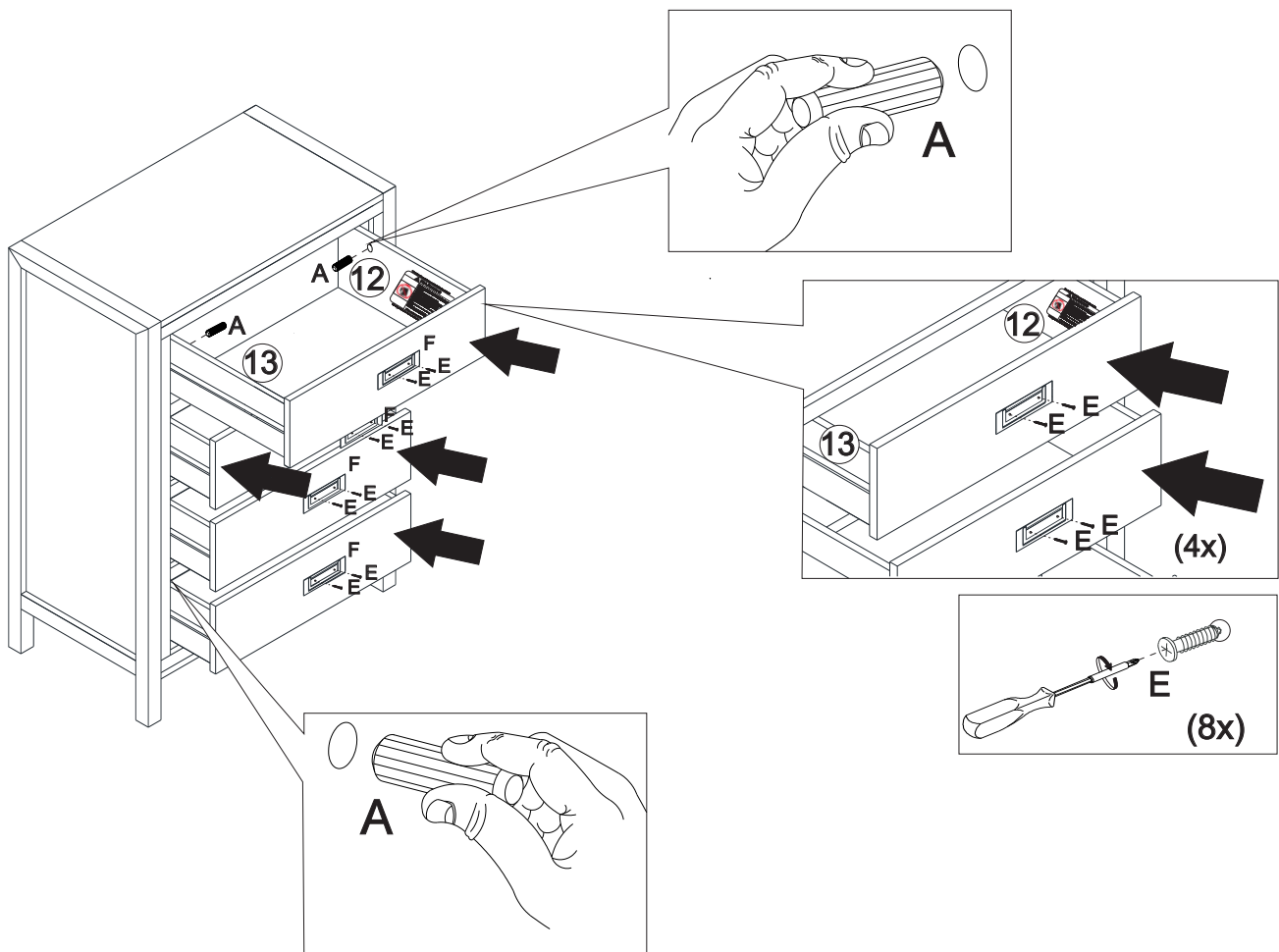
CHECK FOR HIDDEN PIPES AND CABLES BEFORE DRILLING

Step 14

Use screw E (x8) to attach Puller F (x4) Insert wood dowel A(x8) to the drawers..

Drawer Stop

Insert wood dowel (A) on the inside of all drawers while drawer is inside the unit.
Make sure dowel is flush with panel.



Final Assembly