

KOHLER®

Highline® Arc The Complete Solution®

Tall two-piece elongated 1.28 gpf toilet
K-78305

Features

- Two-piece design.
- Elongated bowl offers added room and comfort.
- Tall height offers seating 2-1/2" (63.5 mm) higher than Comfort Height® for enhanced comfort, ease of sitting and standing, and gracious accessibility.
- 1.28 gpf (4.8 lpf).
- Left-hand Polished Chrome trip lever.
- 2-1/8" (54 mm) fully glazed trapway.
- Quiet-Close™ elongated seat closes quietly.
- The Complete Solution toilets provide everything you need, including bowl, tank, seat, wax ring, and hardware.

Technology

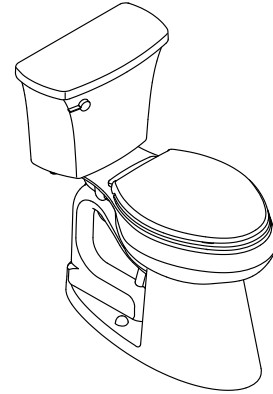
- Precision-engineered tank, bowl, and trapway create strong siphon during flushing.
- Class Five® canister optimizes the flow out of the tank, harnessing gravity and the natural powerful reducing cascade of water to increase the power and effectiveness of the flush.

Installation

- Three-bolt quick-connect installation.
- Standard 12" (305 mm) rough-in.
- Supply line sold separately.

Recommended Products/Accessories

K-23726 Drain treatment
K-5588 Purefresh® Elongated Toilet Seat
K-75796 Cachet® Nightlight Quiet-Close™ Elongated toilet seat



Codes/Standards

ASME A112.19.2/CSA B45.1
DOE - Energy Policy Act 1992
EPA WaterSense®
California Energy Commission (CEC)

KOHLER® Toilets and Seats Limited Warranty

See website for detailed warranty information.

1-800-4KOHLER (1-800-456-4537)

Kohler Co. reserves the right to make revisions without notice to product specifications.

For the most current Specification Sheet, go to www.kohler.com.

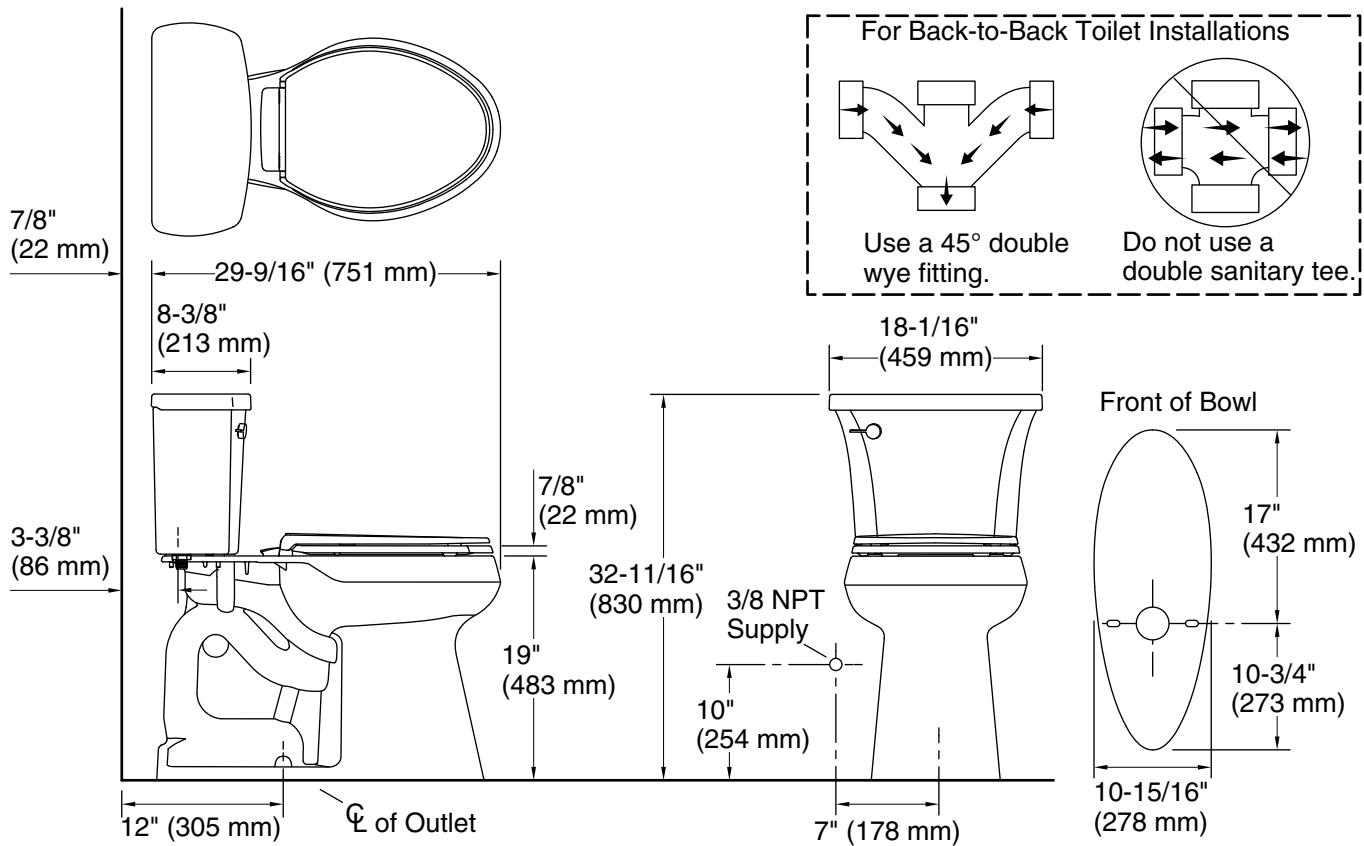
6-7-2022 17:12 - US

THE BOLD LOOK
OF **KOHLER®**



Highline® Arc The Complete Solution®

Tall two-piece elongated 1.28 gpf toilet
K-78305



Technical Information

All product dimensions are nominal.

Toilet type:	Floor-mount
Waste Outlet:	Floor
Bowl shape:	Elongated
Flush type:	Class Five
Trap passageway:	2-1/8" (54 mm)
Water Consumption	
Full:	1.28 gpf (4.8 lpf)
Water surface size:	9-1/4" x 6-1/2" (235 mm x 165 mm)
Rim to water surface:	6-3/8" (161 mm)
Rough-in:	12" (305 mm)
Seat-mounting holes:	5-1/2" (140 mm)

Notes

Install this product according to the installation instructions.