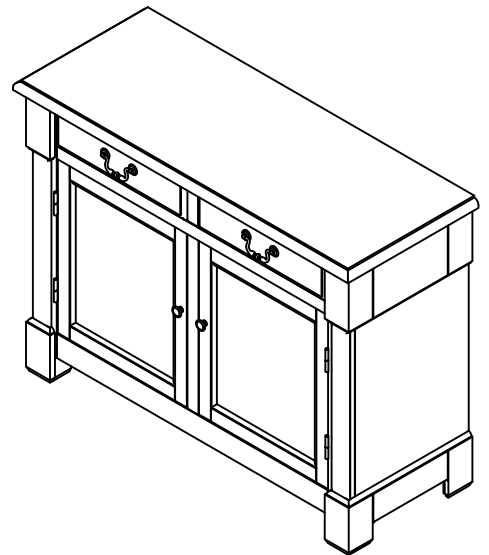


# 88 5520 61

## The Aspen Buffet



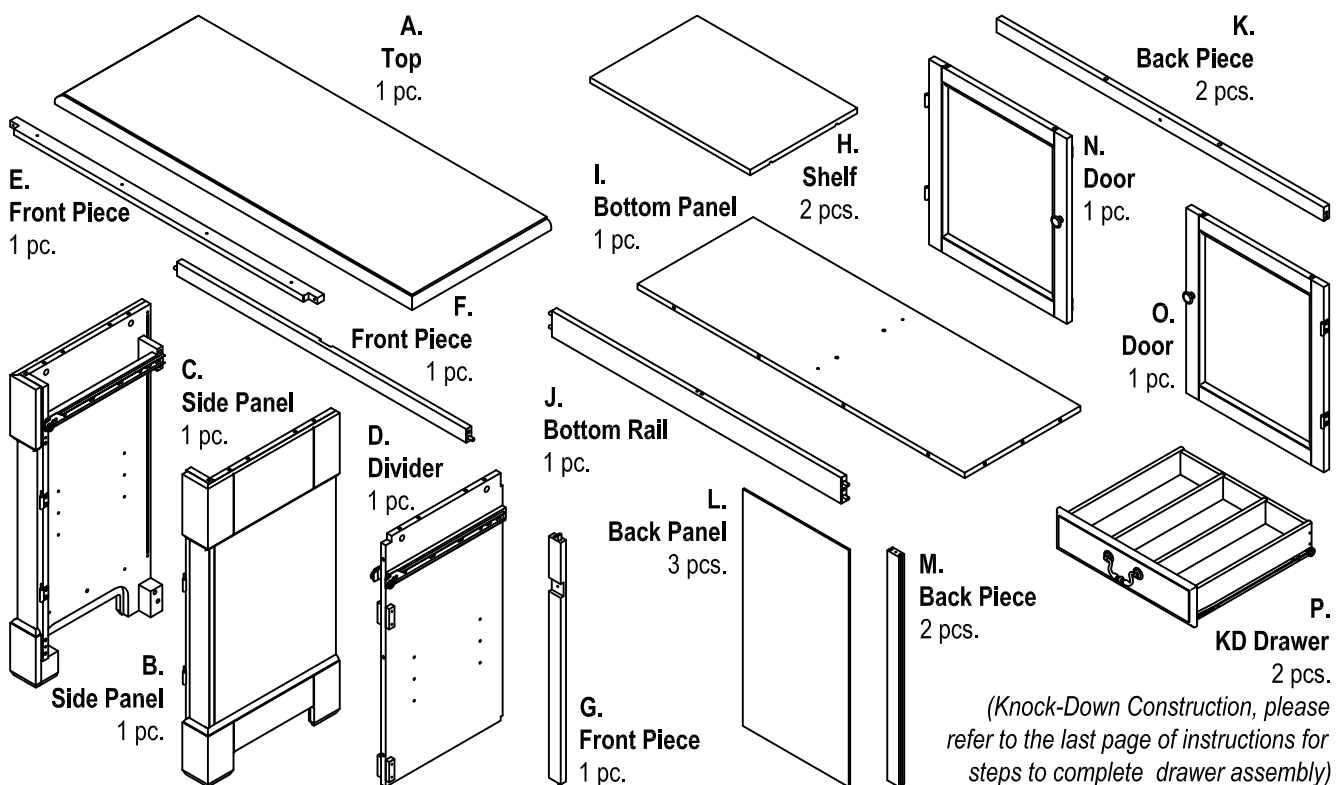
Home Styles

### IMPORTANT NOTE

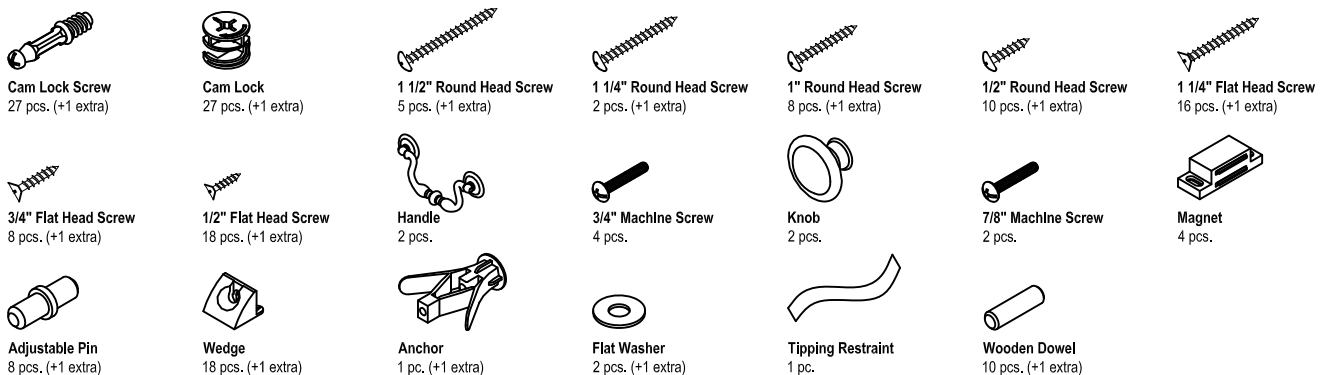
Carefully remove all the parts from the carton and put them individually on a soft cloth to prevent scratches or other damages occurring to the parts.

We have taken great care in the design of this product and request that you carefully and strictly follow our assembly instructions to ensure a completed product as it was designed.

## Part List



## Hardware List



Tools Required For Assembly : Phillips screwdriver

Tools Recommended For Assembly : Level

**Home Styles Consumer Assistance:** [www.homestyles-furniture.com](http://www.homestyles-furniture.com),  
[servicedesk@homestyles-furniture.com](mailto:servicedesk@homestyles-furniture.com), 888-680-7460, 877-831-0319

# Assembly Instructions 2/11

## IMPORTANT

- \* Do not tighten up all the screws until each part is properly assembled.
- \* Use a soft cloth between these parts and the floor.
- \* After assembly, item must be level to work properly.  
Use the included adjustable levellers to level.

## STEP 1

Insert Cam Lock Screws into the pre-drilled holes of Top (A), Side Panels (B) and (C), Front Pieces (E) and (G) and Bottom Rail (J).

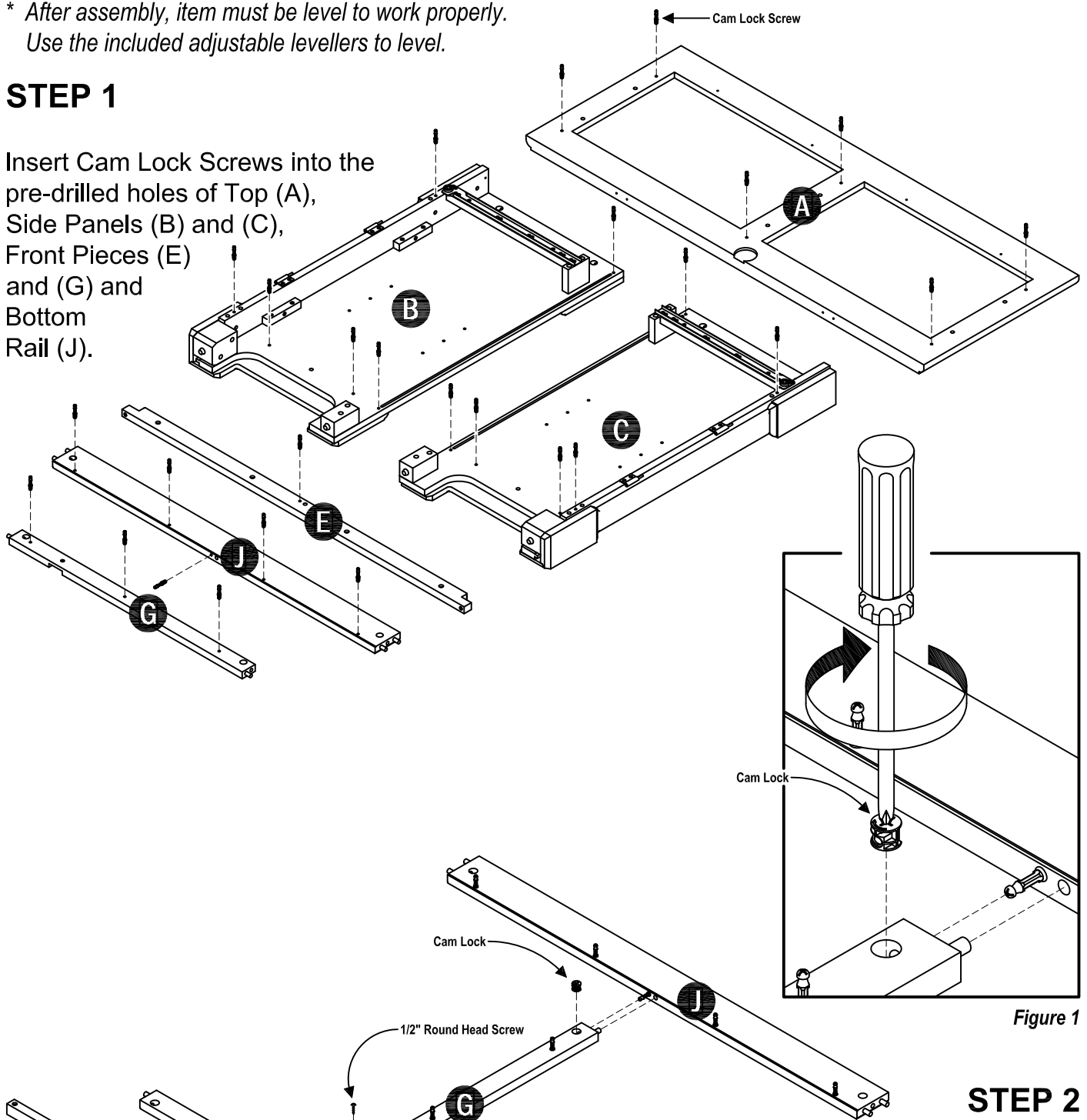


Figure 1

## STEP 2

Attach Front piece (G) to Front Piece (F) with 1/2" Round Head Screws.

Attach Front Piece (E) and Bottom Rail (J) to Front Piece (G) with Cam Locks. (see Figure 1)

## STEP 3

Attach Magnet to Divider (D) using 1/2" Round Head Screws.  
(see Figure 2)

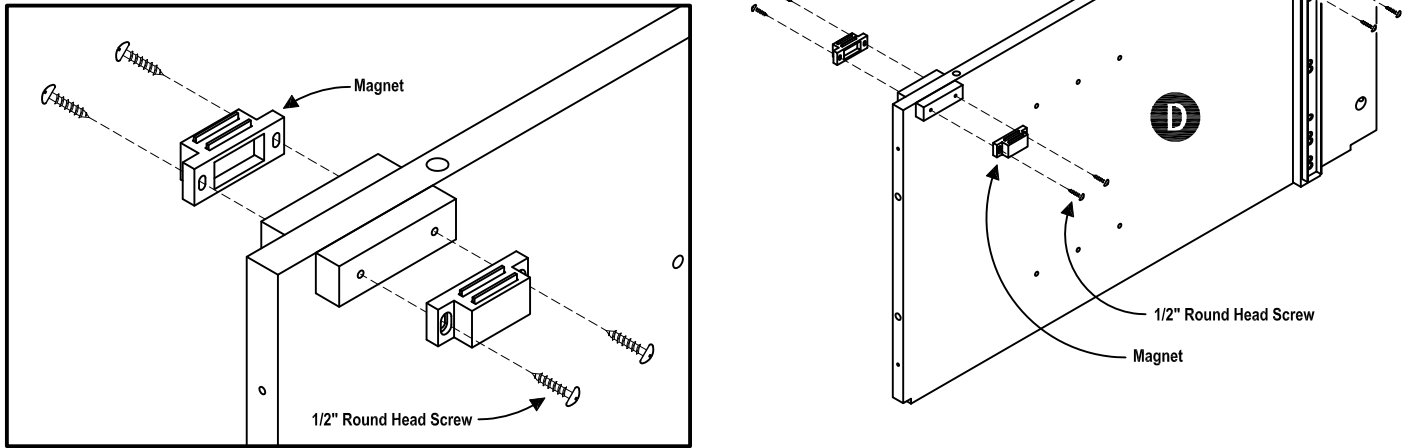
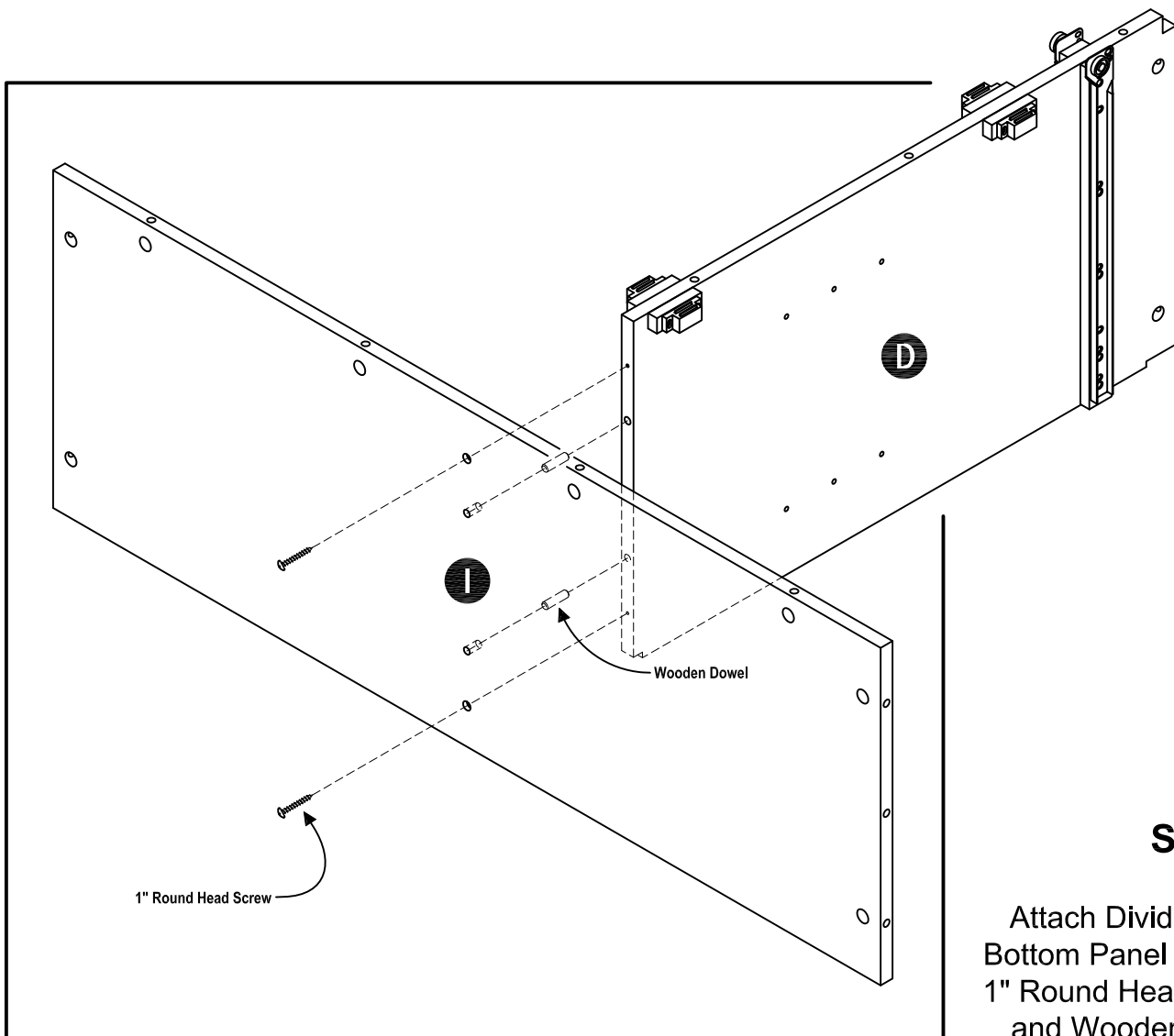


Figure 2



## STEP 4

Attach Divider (D) to Bottom Panel (I) using 1" Round Head Screw and Wooden Dowel.

# Assembly Instructions 4/11

## STEP 5

Attach unit of Step 2 to unit of Step 4 with Cam Locks.

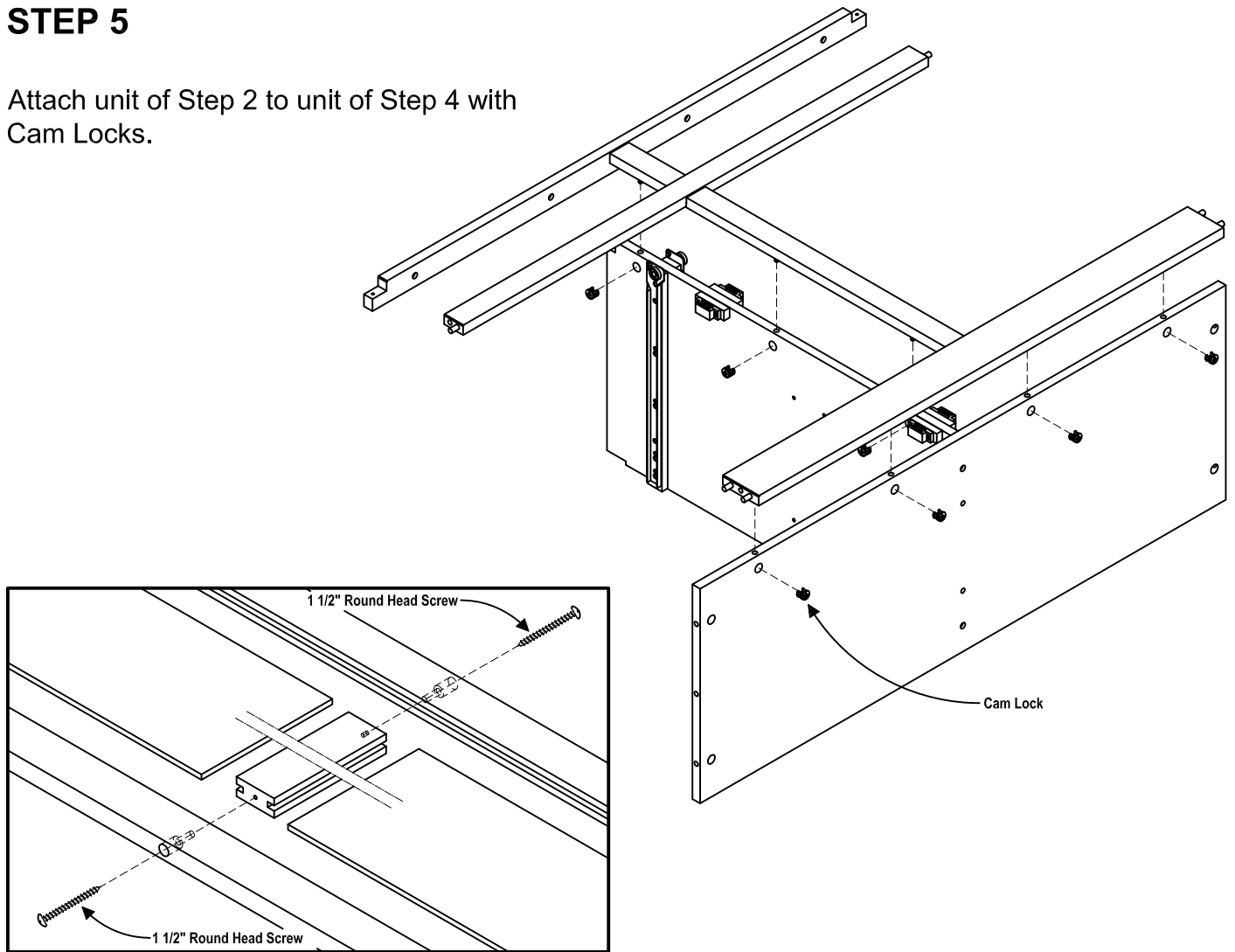
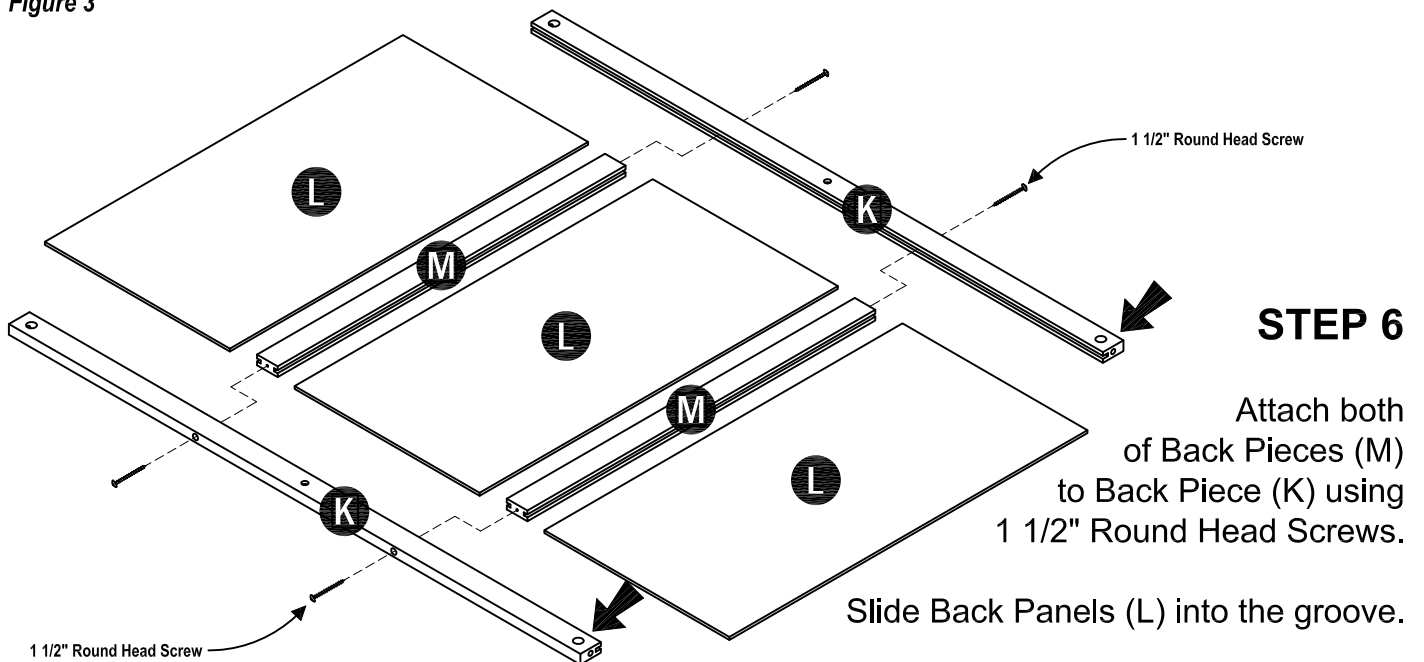


Figure 3



## STEP 6

Attach both of Back Pieces (M) to Back Piece (K) using 1 1/2" Round Head Screws.

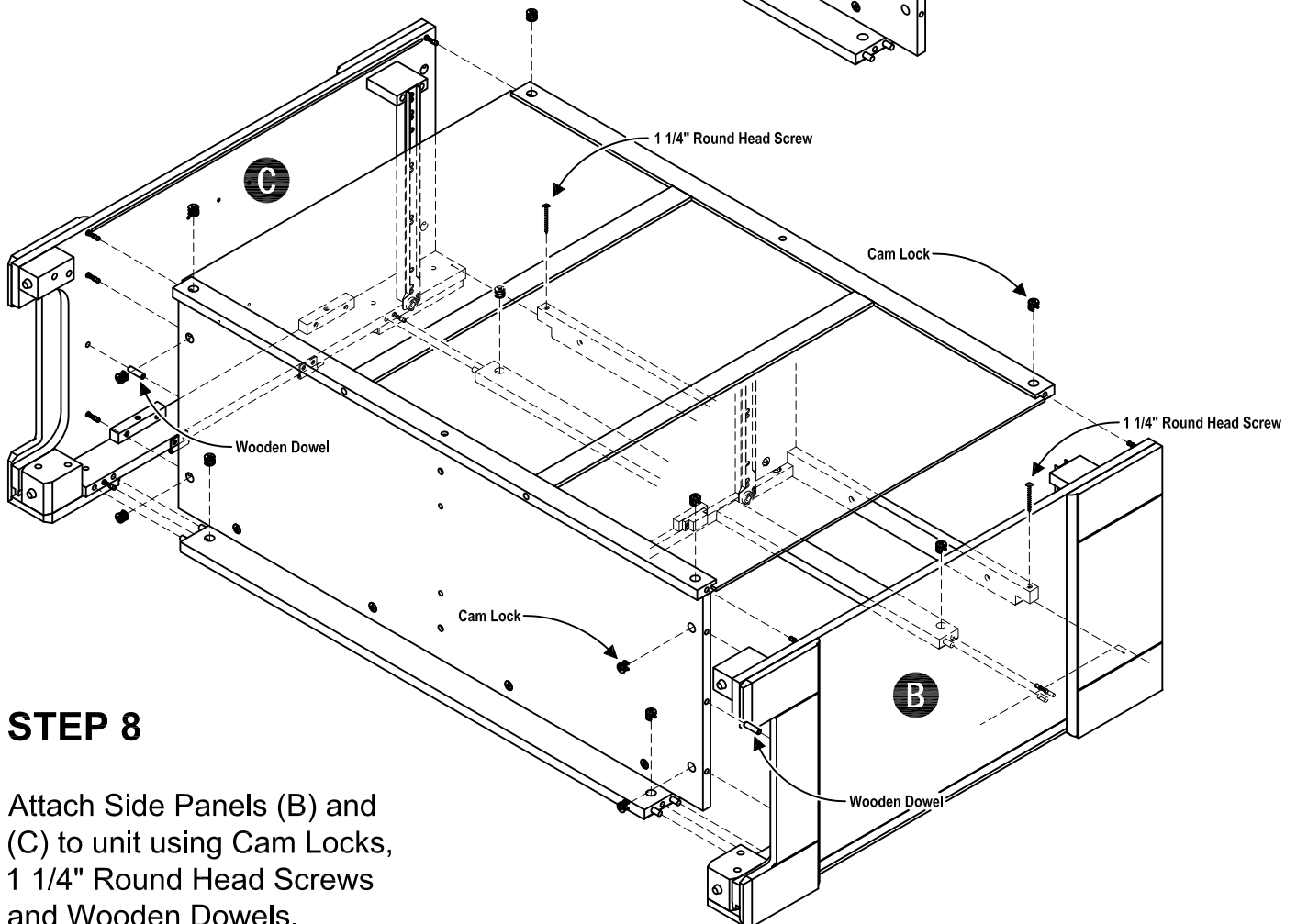
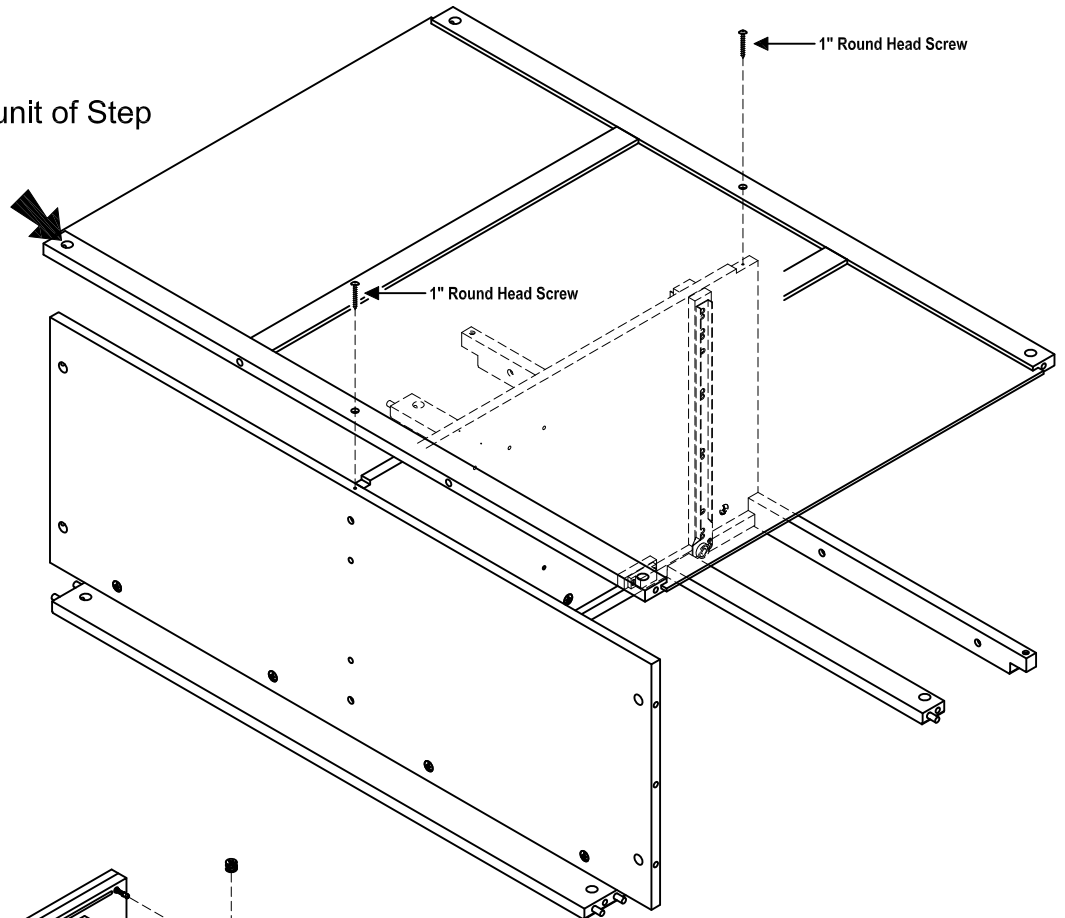
Slide Back Panels (L) into the groove.

Attach Back Piece (K) to unit using 1 1/2" Round Head Screws. (see Figure 3)

# Assembly Instructions 5/11

## STEP 7

Attach unit of Step 6 to unit of Step 5 using 1" Round Head Screws



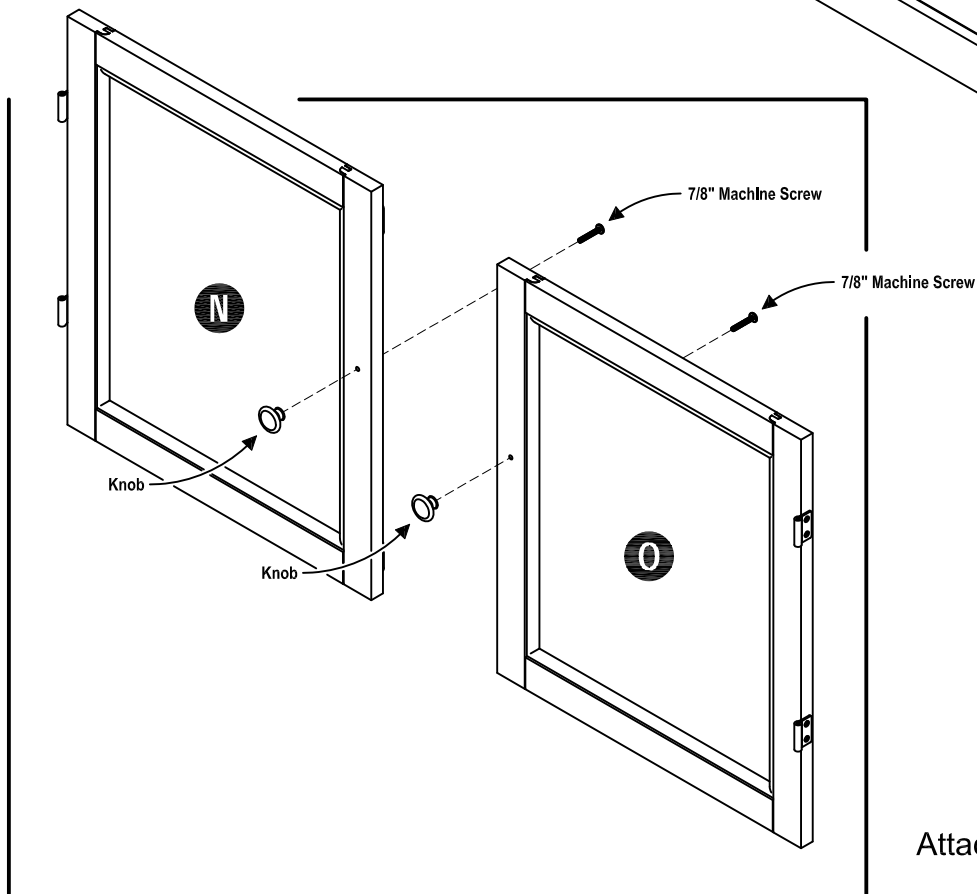
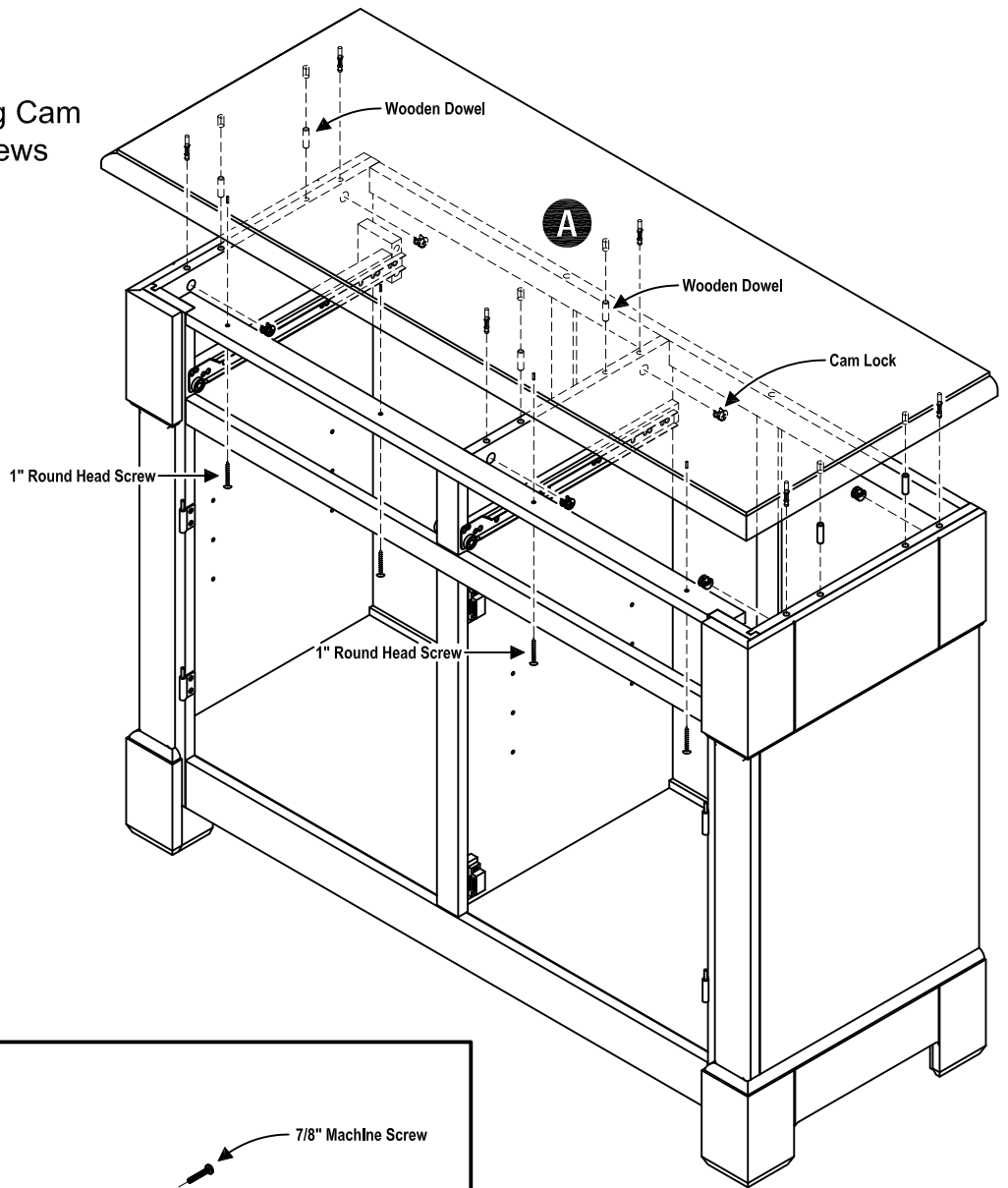
## STEP 8

Attach Side Panels (B) and (C) to unit using Cam Locks, 1 1/4" Round Head Screws and Wooden Dowels.

# Assembly Instructions 6/11

## STEP 9

Attach Top (A) to unit using Cam Locks, 1" Round Head Screws and Wooden Dowels.



## STEP 10

Attach Knobs to Doors (N) and (O) using 7/8" Machine Screws.

# Assembly Instructions 7/11

## STEP 11

Attach Doors (N) and (O) by sliding the Doors lift hinges into the Side Panels lift hinges.  
(See figure 4)

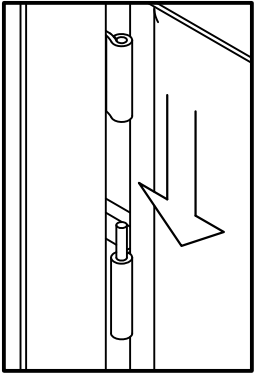


Figure 4

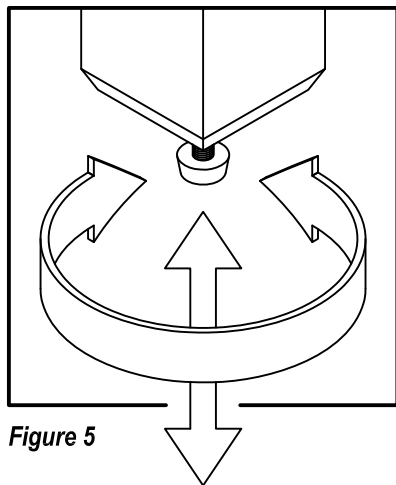
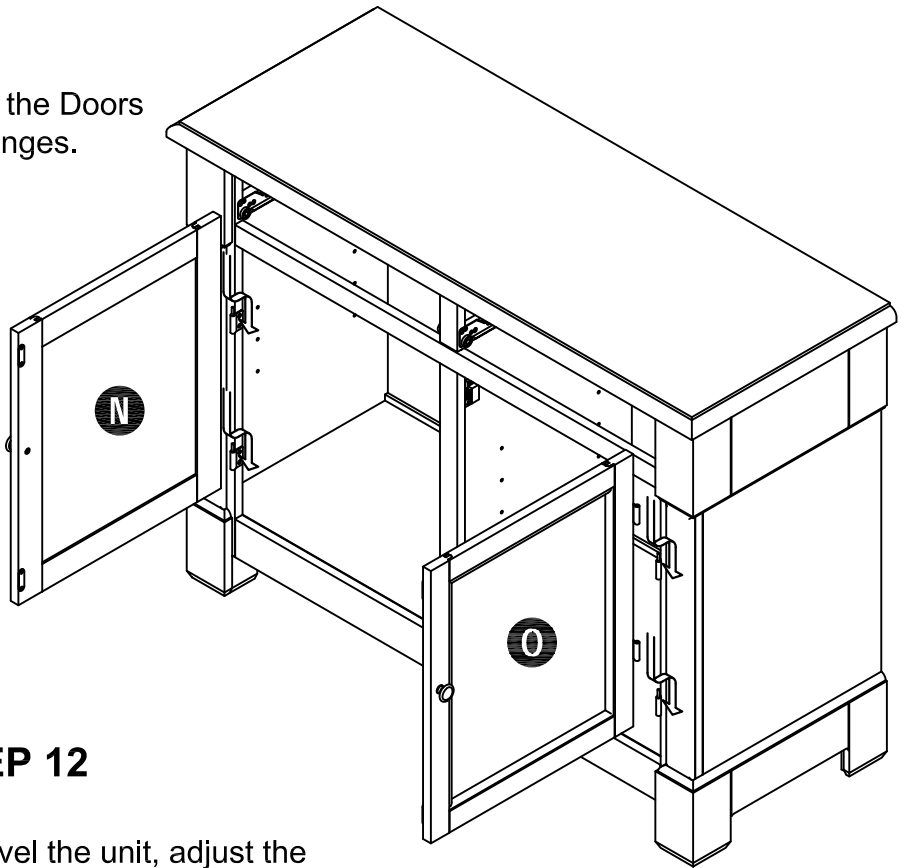


Figure 5

## STEP 12

To level the unit, adjust the adjustable levelers on the bottom.  
**Note: Unit must be level to work properly.**  
(see Figure 5)

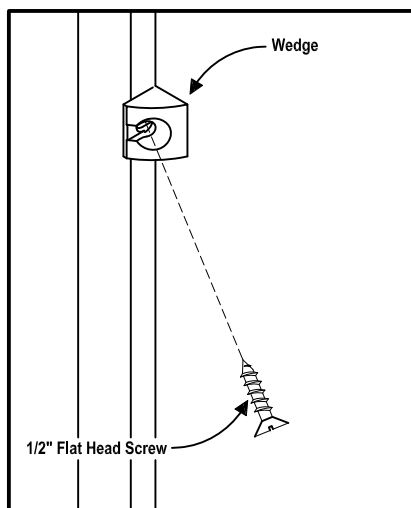
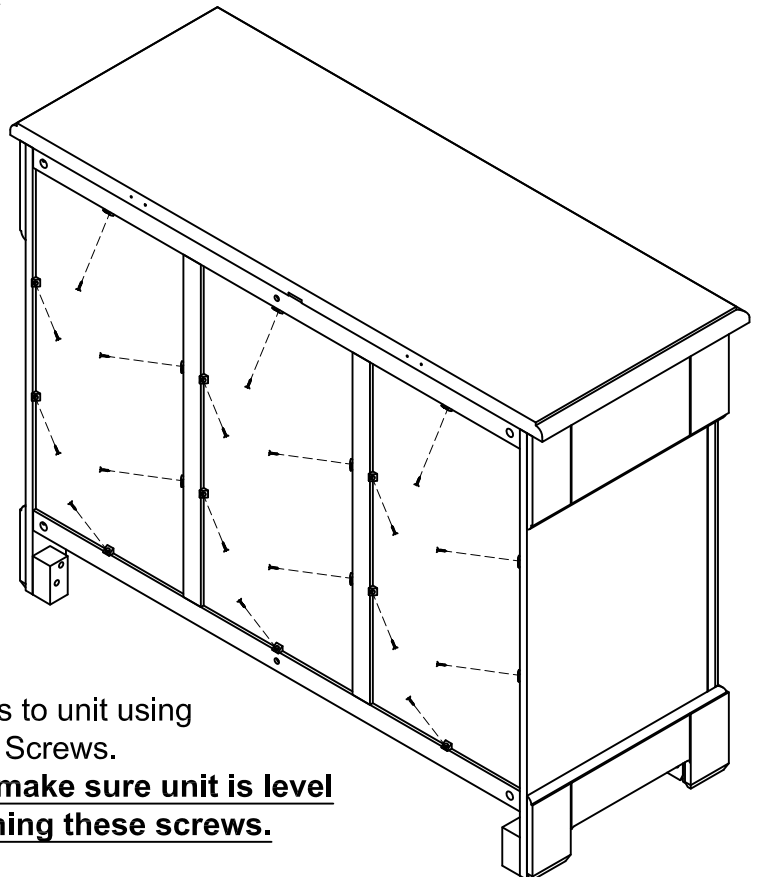


Figure 6

## STEP 13

Attach Wedges to unit using 1/2" Flat Head Screws.  
**Note: Please make sure unit is level before tightening these screws.**  
(see Figure 6)



## STEP 14

Insert Adjustable Pins into Side Panels and Divider at the desired level.  
(see Figure 7)

Place Shelves (H) into position.

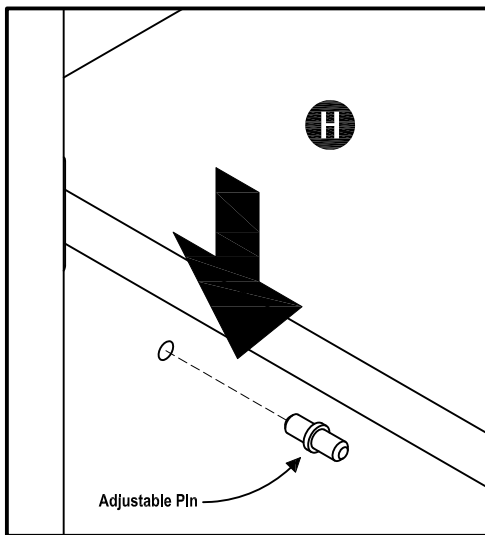
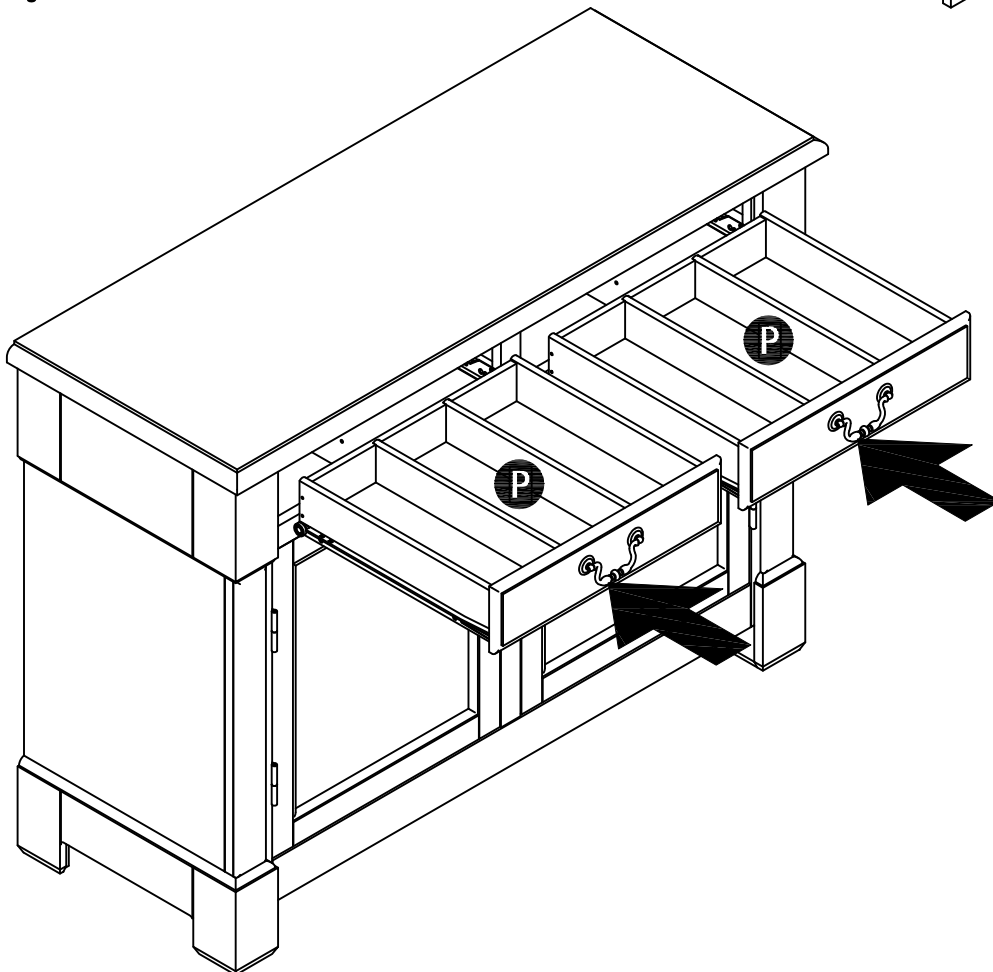
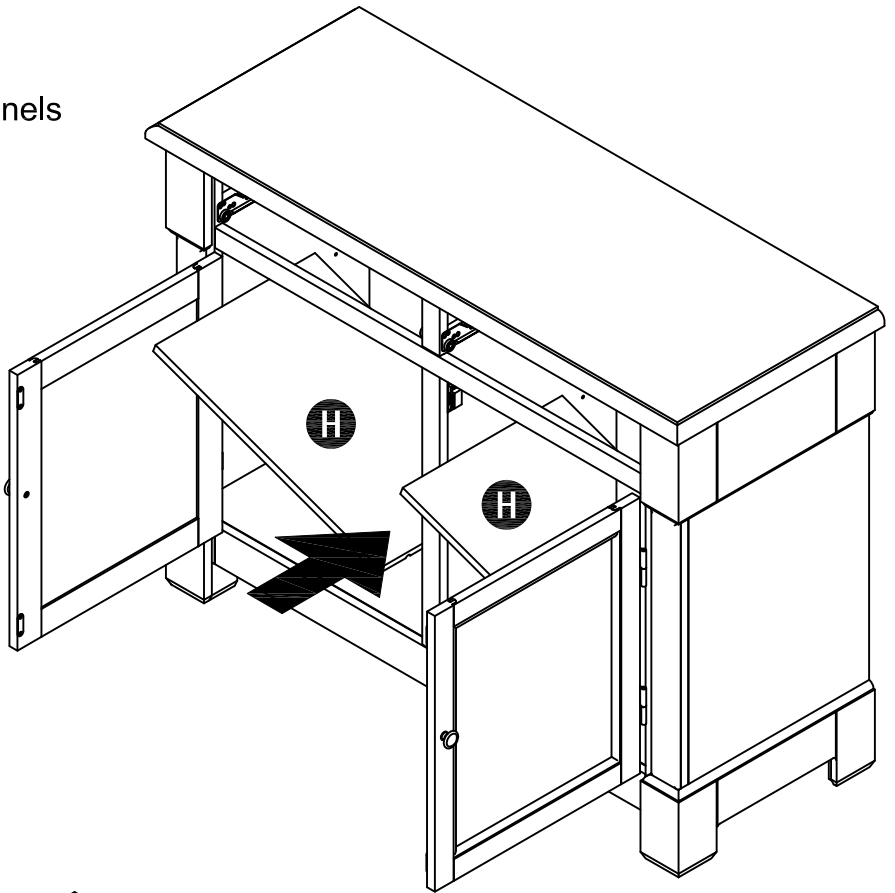


Figure 7



## STEP 15

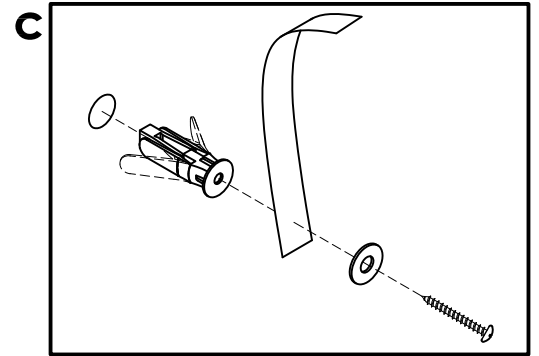
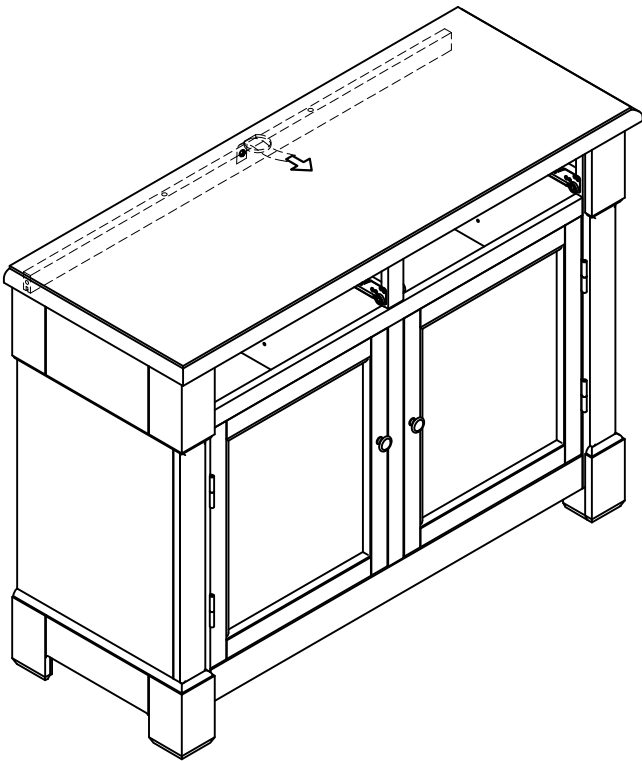
Insert Drawers (P) into unit.



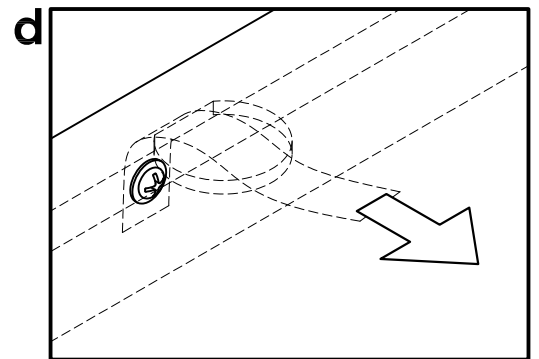
# Assembly Instructions 9/11

## ATTENTION!

For safety reasons, please follow these instructions to prevent the unit from tipping over.

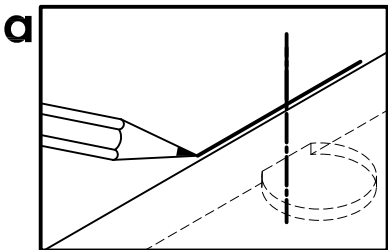


Attach Tipping Restraint to the wall using 1 1/2" Round Head Screw, Flat Washer & Anchor.

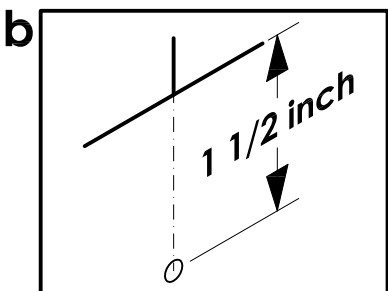


Insert Tipping Restraint to unit through the hole of Top (A).

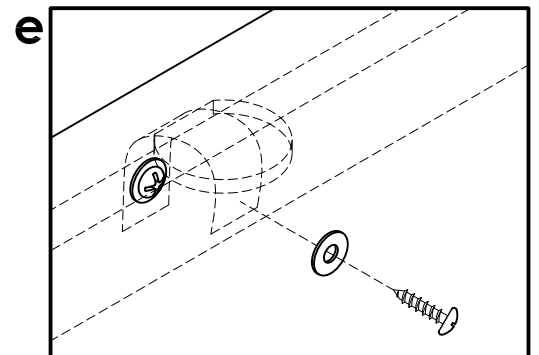
Remove Drawers (P) from unit.



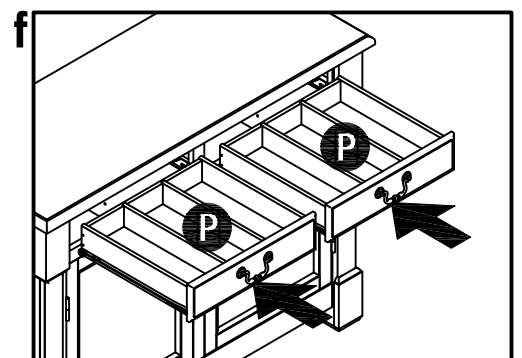
Place the unit on the wall at desired location. Mark with pencil to show the height and center of hole at Top (A).



Move unit. Drill a 1/2" hole in the wall, 1 1/2 inches down and directly below the mark.

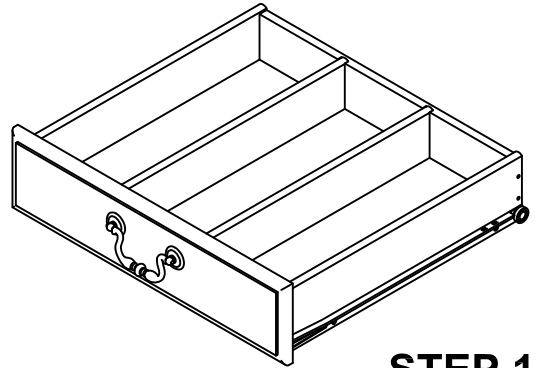


Screw Tipping Restraint to unit using 1/2" Round Head Screw & Flat Washer.



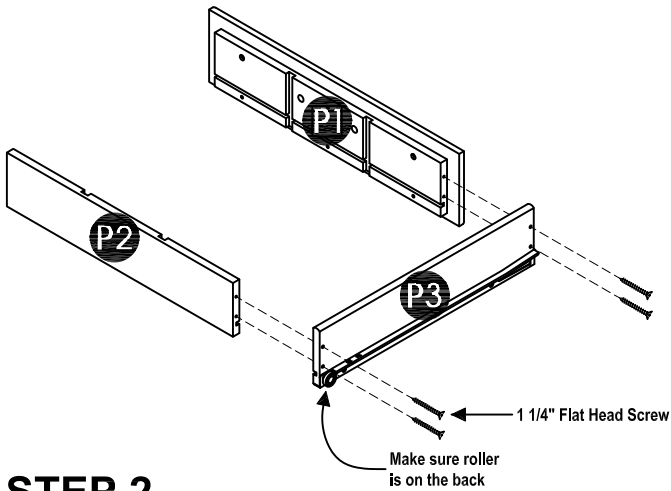
Insert drawers (P) into unit.

## Drawer (P)



### STEP 1

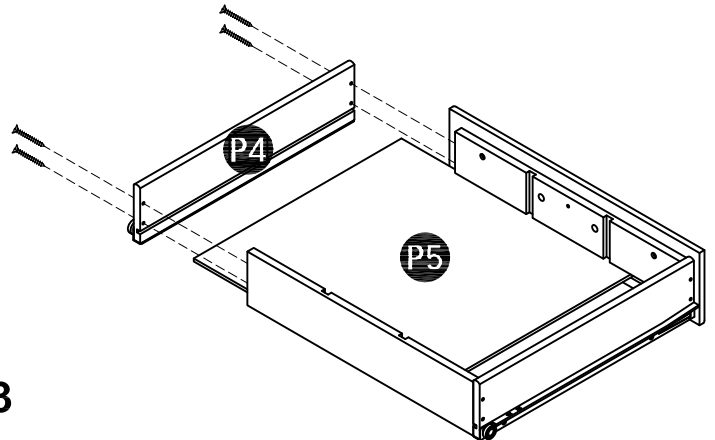
Attach Side Part (P3) to Front Part (P1) and Back Part (P2) using 1 1/4" Flat Head Screws.



### STEP 2

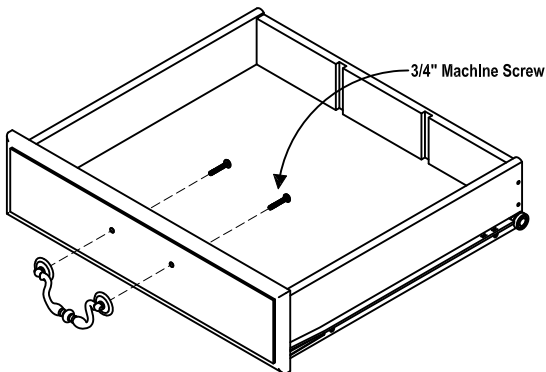
Insert Base Part (L5) into the groove.

Attach Side Part (P4) to unit using 1 1/4" Flat Head Screws.



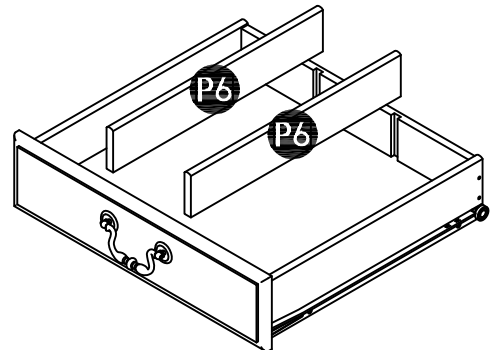
### STEP 3

Attach Handle with Machine Screws.

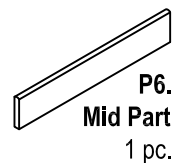
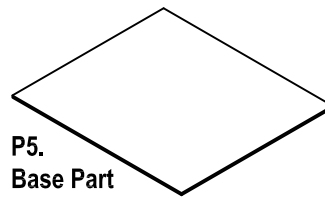
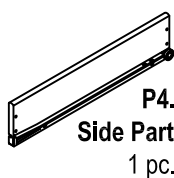
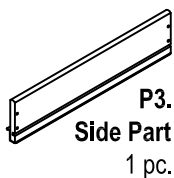
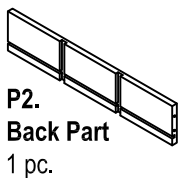
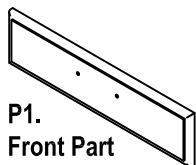


### STEP 4

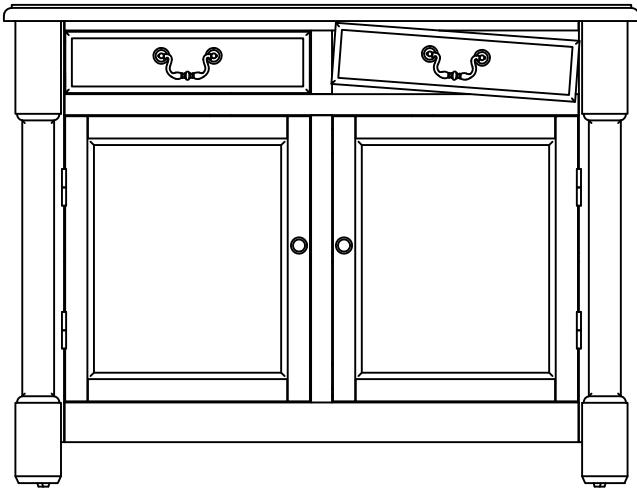
Slide Mid Part (P6) into the groove.



## Part List

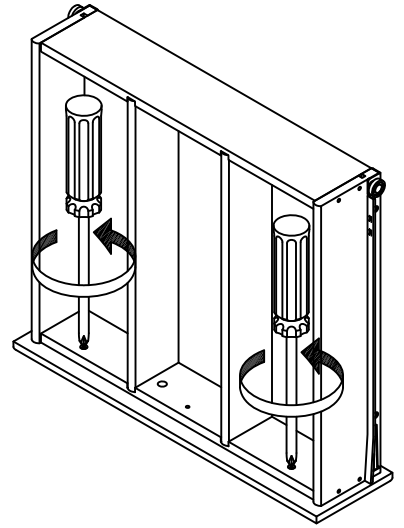


# Assembly Instructions 11/11



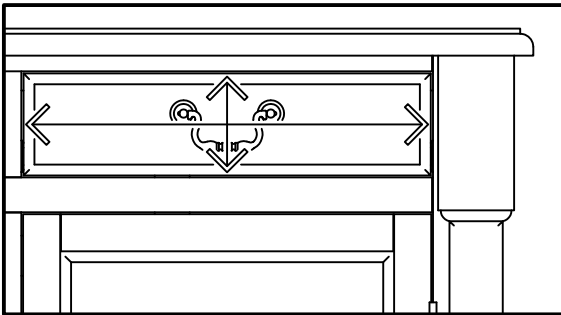
## I. IF A DRAWER DOES NOT ALIGN STEP 1

Loosen slightly the upper screws.

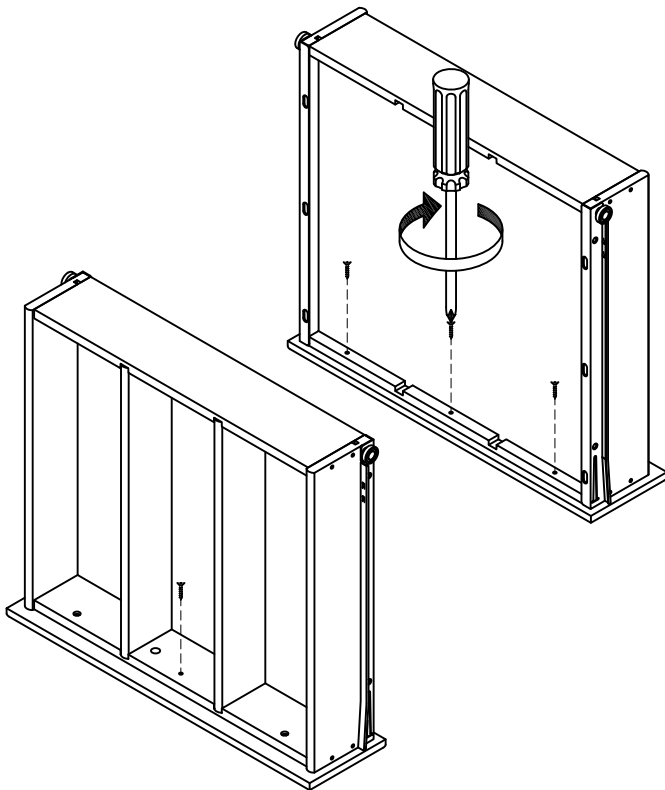


## STEP 2

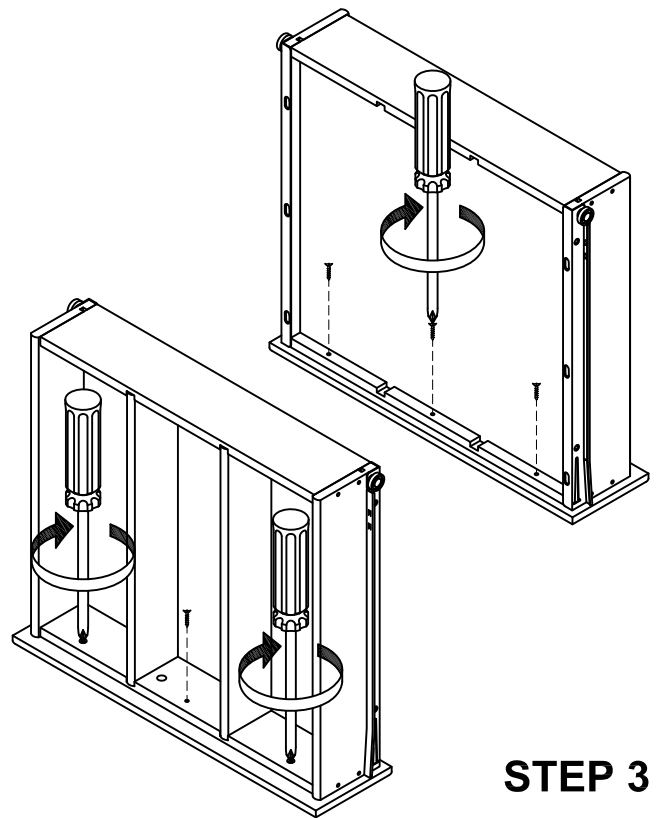
Insert the drawer into the main body, then adjust the drawer front panel left or right and up or down, until the drawer gaps look proportional.



## II. IF A DRAWER ALREADY ALIGNS



Pull out drawer slowly. Lock the drawer front panel into position with 3/4" Flat Head Screws.



## STEP 3

Pull the drawer open slowly and tighten the upper screws. Make sure the front panel does not move and lock the drawer front panel into position with 3/4" Flat Head Screws.

# VERY IMPORTANT !!

## CARE INSTRUCTIONS

### NEVER

USE GLASS CLEANERS ON FINISHED FURNITURE. AMMONIA WILL CHEMICALLY ATTACK THE LACQUER.

### NEVER

ALLOW LIQUIDS OF ANY KIND TO REMAIN ON THE FURNITURE. ABSORPTION CAUSES WOOD TO WARP AND SPLIT AND FINISHES TO DELAMINATE.

DO NOT WRITE DIRECTLY ON SURFACE.



**PREVENT MARKING**

DO NOT PLACE IN DIRECT SUNLIGHT.



**PREVENT FADING**

DO NOT USE COMMERCIAL WAXES AND POLISHES.



**PREVENT YELLOWING**

DO NOT PLACE HOT OBJECTS ON SURFACE.



**PREVENT FINISH DAMAGE**

DO NOT USE RUBBER BASED PLACE MATS.



**PREVENT DISCOLORING**

## TO CLEAN

USE A SOFT CLOTH MOISTENED IN LEMON OIL POLISH OR LUKEWARM SOAP AND WATER, THEN BUFF WITH A DRY CLEAN CLOTH.



Home Styles will provide replacements free of charge for missing or damaged hardware or parts within 30 days of purchase. Digital images of the defective parts may be required. If this product was not purchased from an authorized retail affiliate, Home Styles is under no obligation to provide replacement parts. Parts are not available for fully assembled items nor are parts available for sale. Replacements for missing or damaged hardware or parts may be requested at:

[www.homestyles-furniture.com/customer\\_service](http://www.homestyles-furniture.com/customer_service)

**Home Styles Consumer Assistance:** [www.homestyles-furniture.com](http://www.homestyles-furniture.com),  
[servicedesk@homestyles-furniture.com](mailto:servicedesk@homestyles-furniture.com), 888-680-7460, 877-831-0319