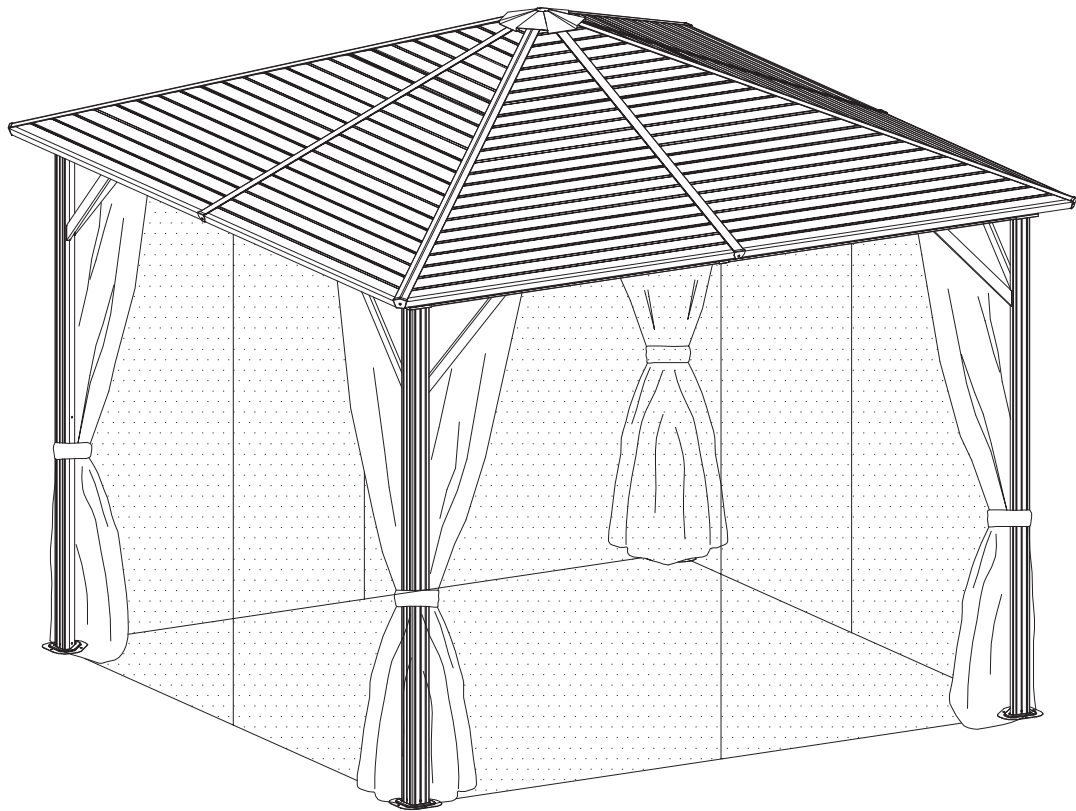
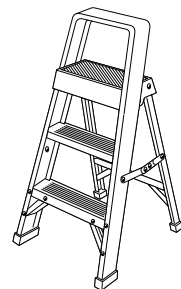
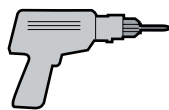




84C-094



REQUIRED TOOLS





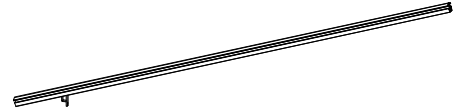
(A) 4x



(B) 4x



(B1) 4x



(D) 4x



(E) 4x



(F1) 4x



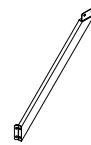
(F2) 4x



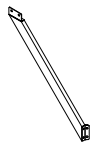
(G1) 4x



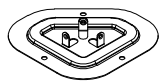
(G2) 4x



(H1) 4x



(H2) 4x



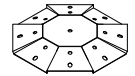
(J) 4x



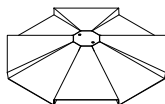
(K) 4x



(K1) 4x



(L) 1x



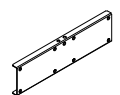
(M) 1x



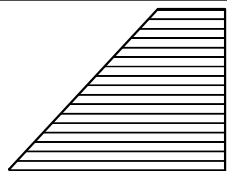
(N) 4x



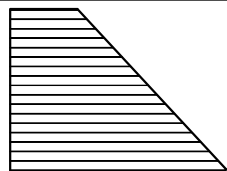
(N1) 4x



(P) 4x



(Q1) 4x



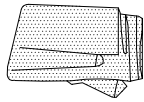
(Q2) 4x



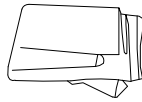
(R1) 4x



(R2) 4x



S 4x



T 4x



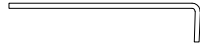
U 96x



V 4x



Y 16x

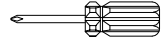


W 12x

S4



1x



1x



M6x15

1 80x + 3



M6x10

2 32x + 1



M5x12

3 48x + 2



ST4.8x12

4 24x + 2

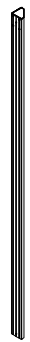


5 1x

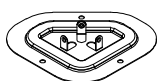


8 12x

<1>



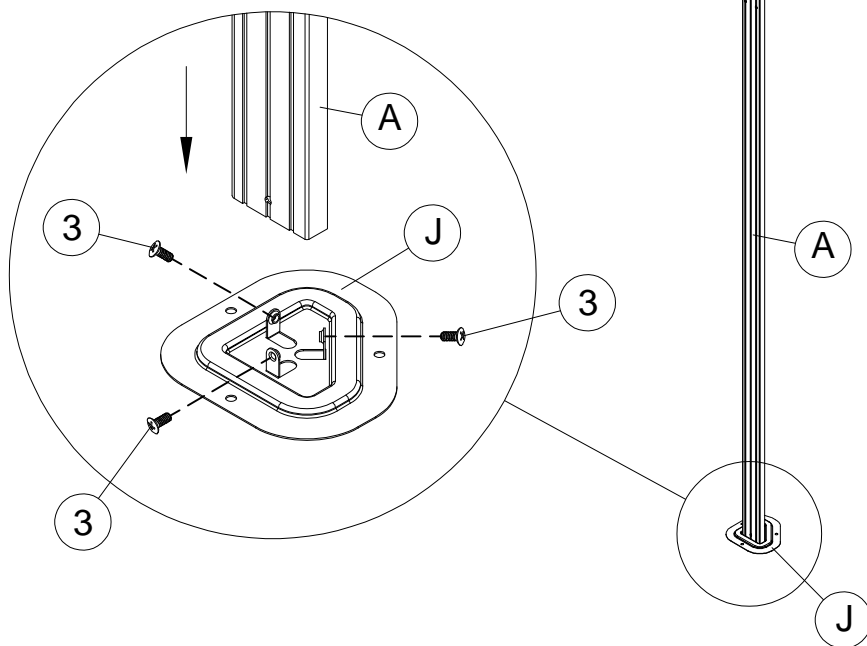
A 4x



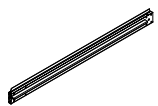
J 4x



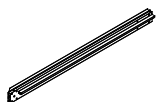
3 12x M5x12



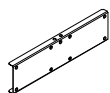
<2>



B 4x



B1 4x

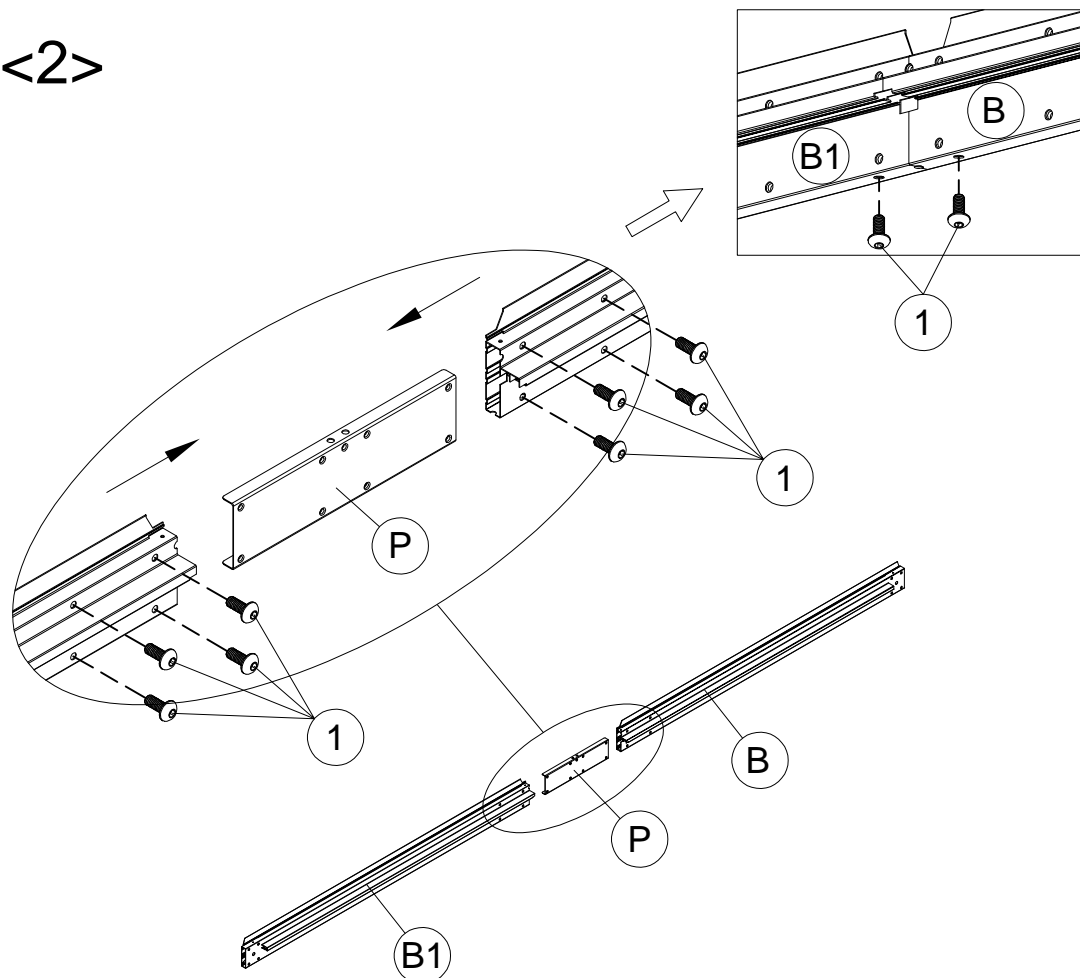


P 4x



1 40x M6x15

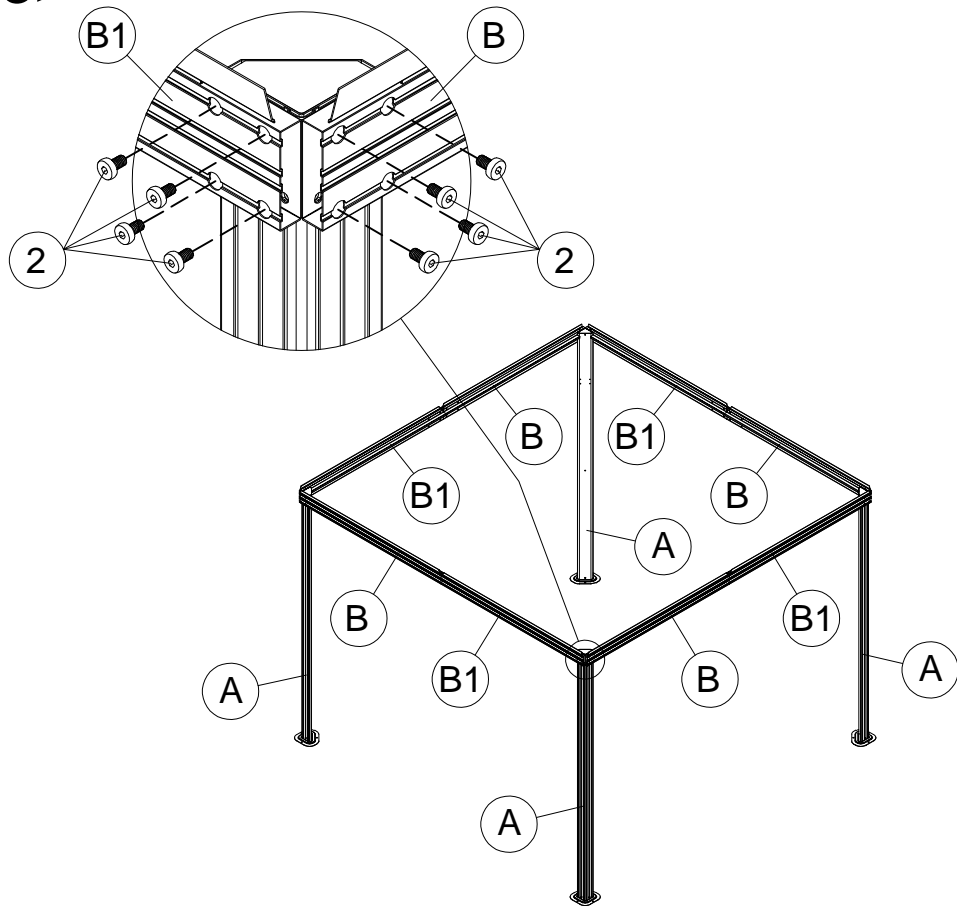
4



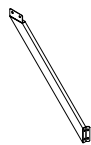


2 M6x10  
32x

<3>



H1 4x

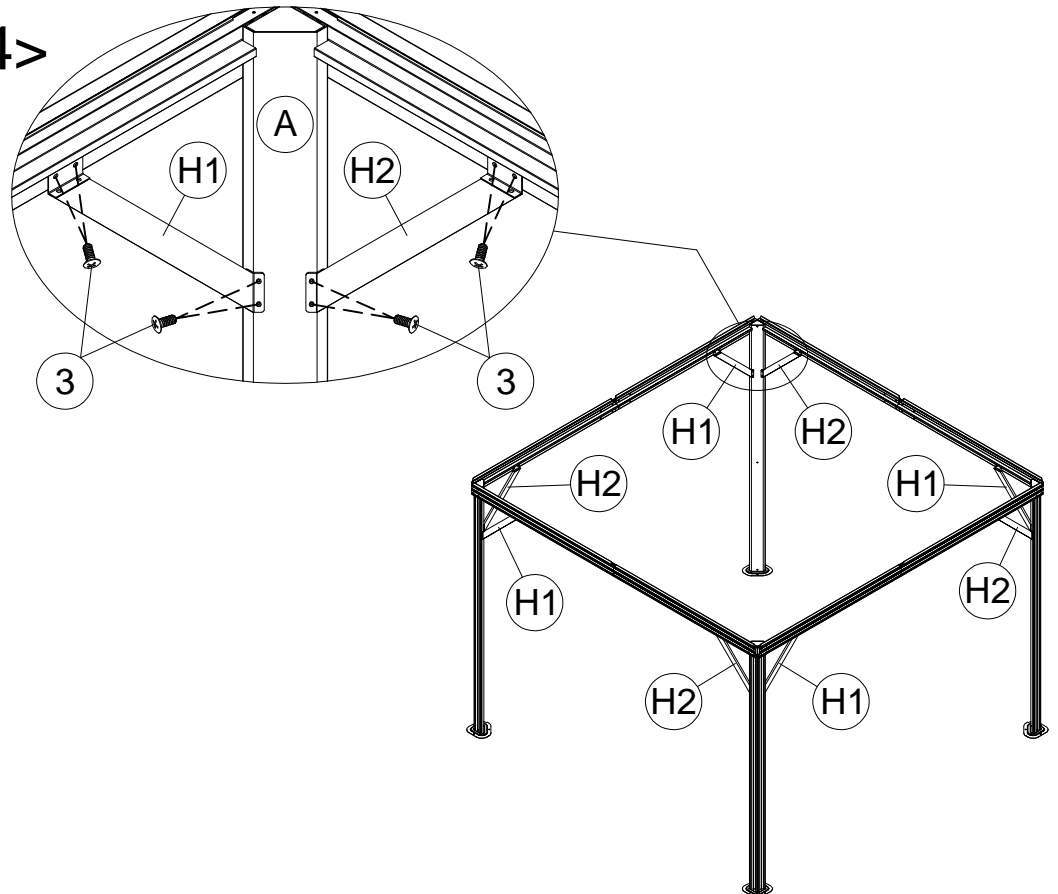


H2 4x



3 M5x12  
32x

<4>



5



(K) 4x



(K1) 4x



(U) 96x



(V) 4x

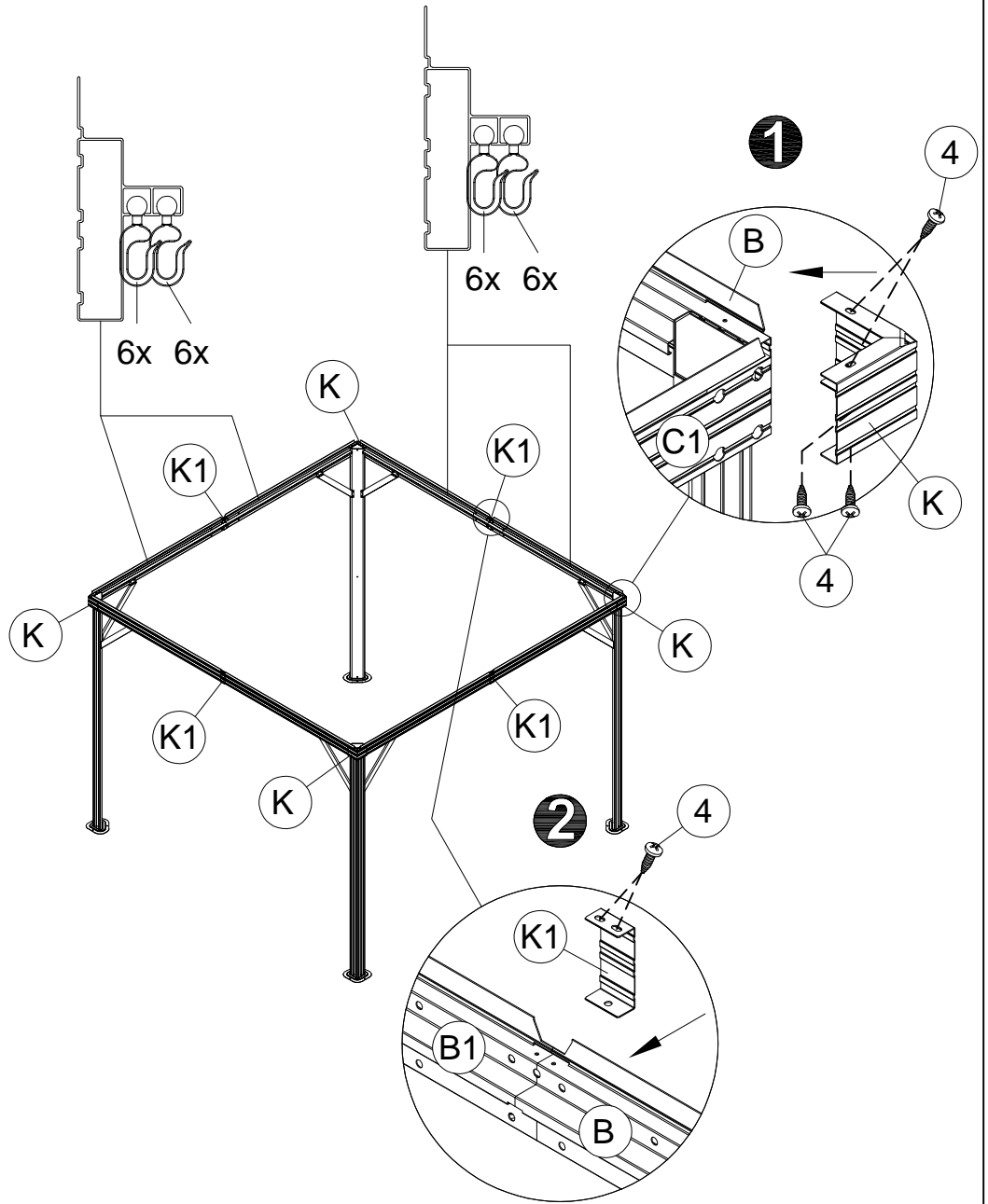


(3) 4x M5x12

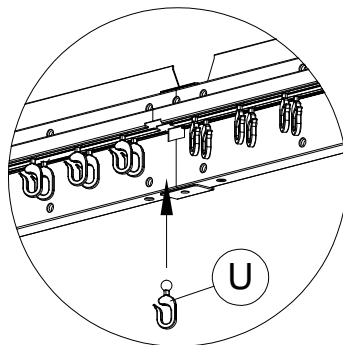


(4) 24x ST4.8x12

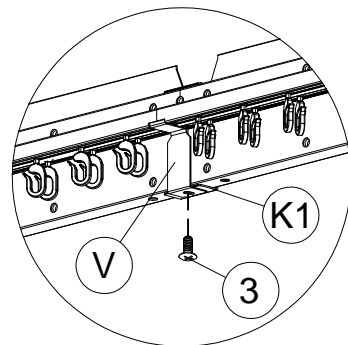
<5>



3



4

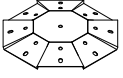


6



<6>

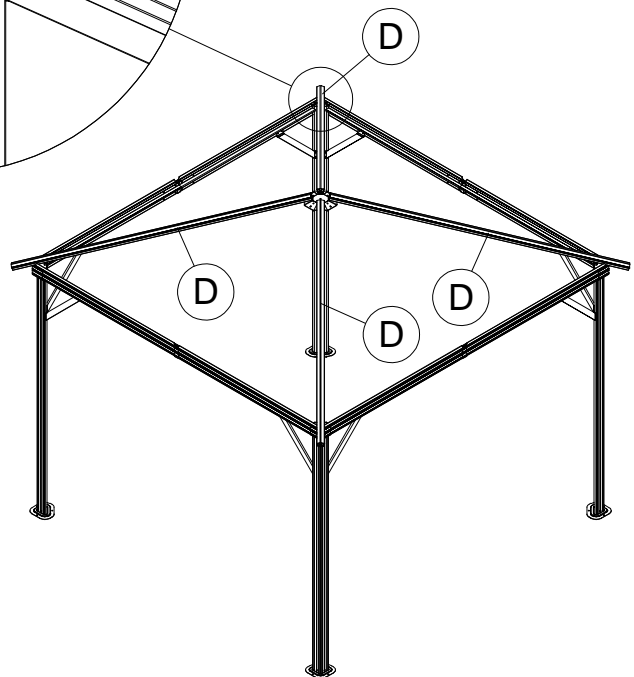
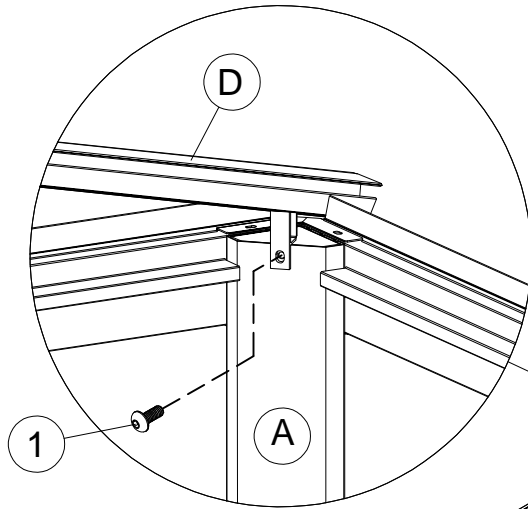
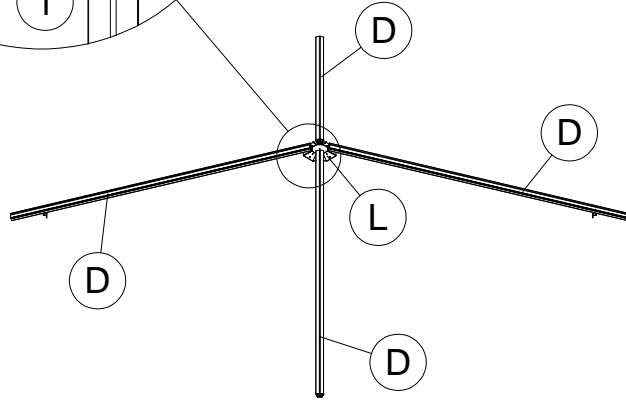
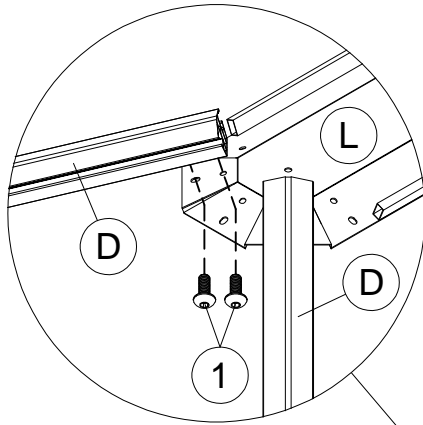
(D) 4x



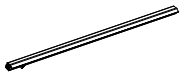
(L) 1x



(1) 12x M6x15



7

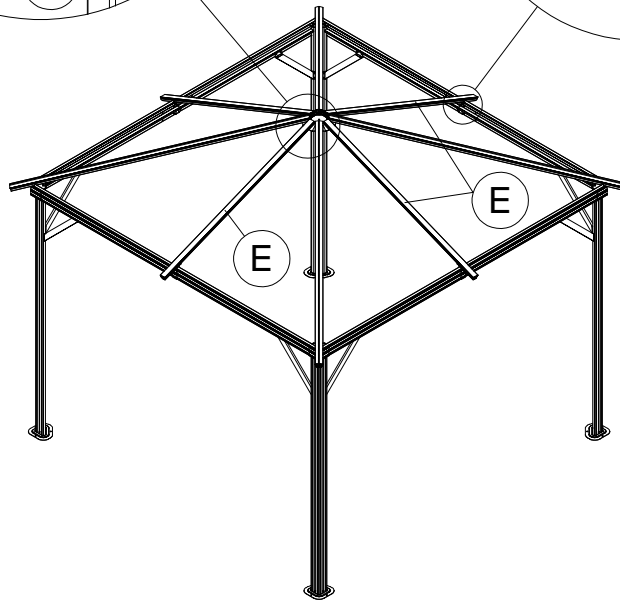
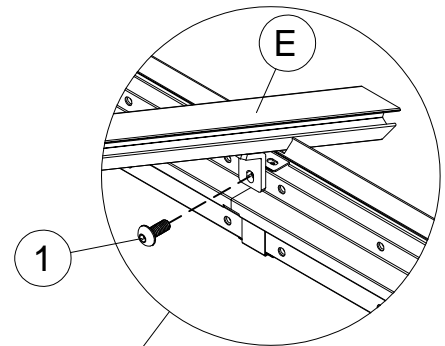
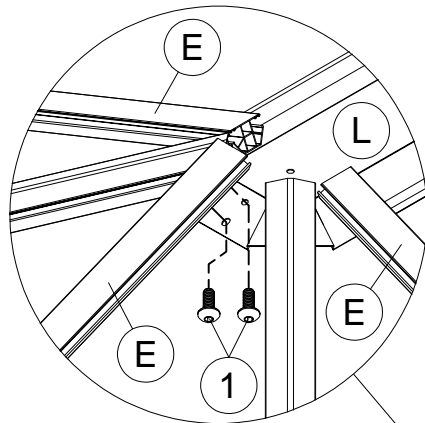


<7>

E 6x

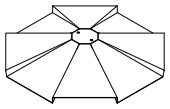


1 12x M6x15



8



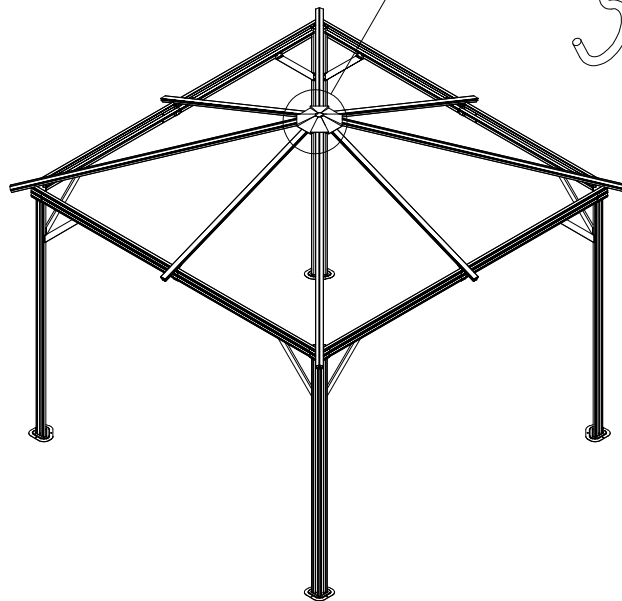
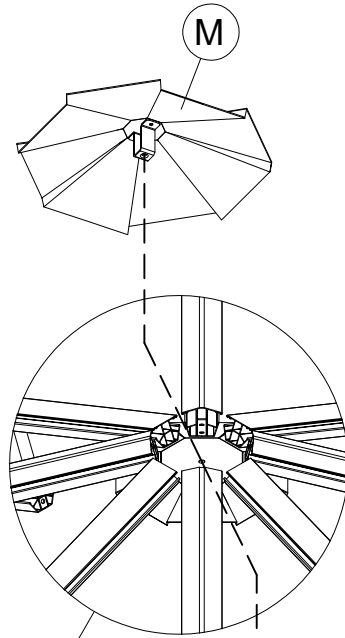


<8>

M 1x



5 1x



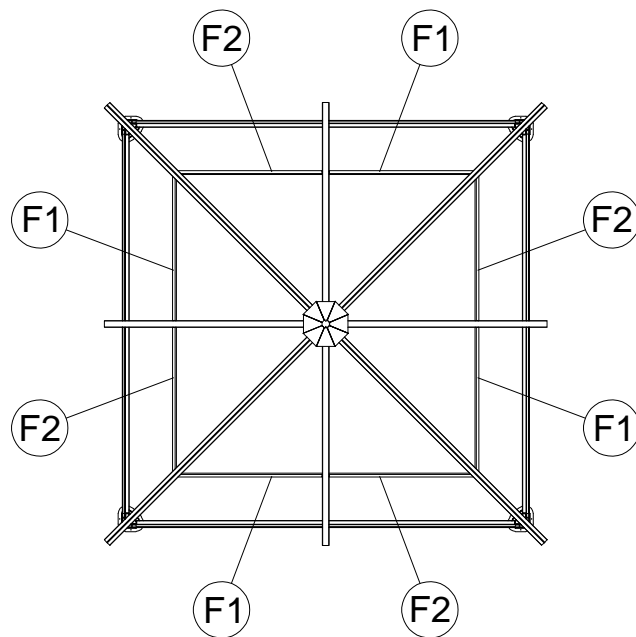
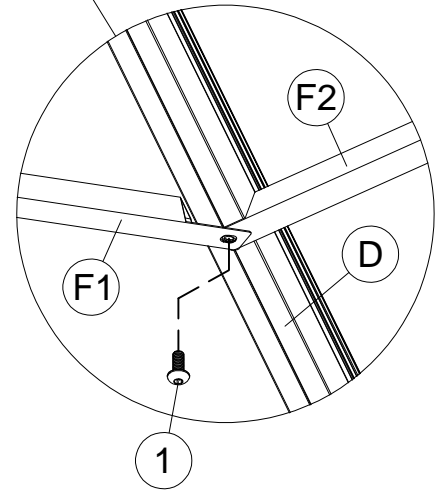
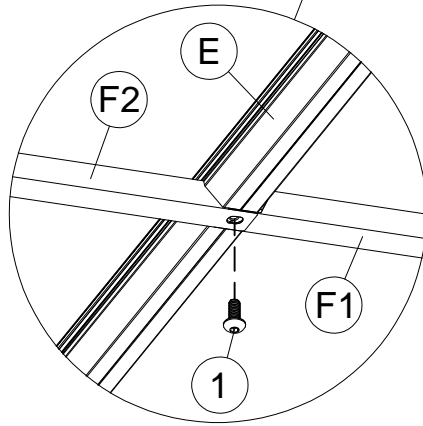
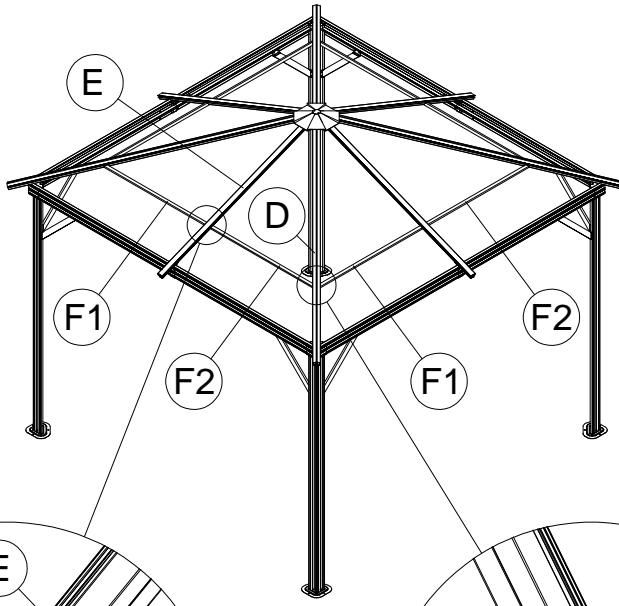
9

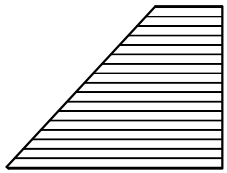
<9>

F1 4x

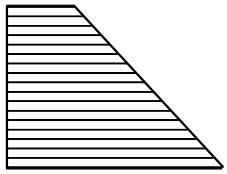
F2 4x

1 8x M6x15

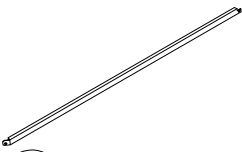




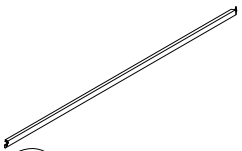
Q1 4x



Q2 4x



G1 4x



G2 4x



N 4x



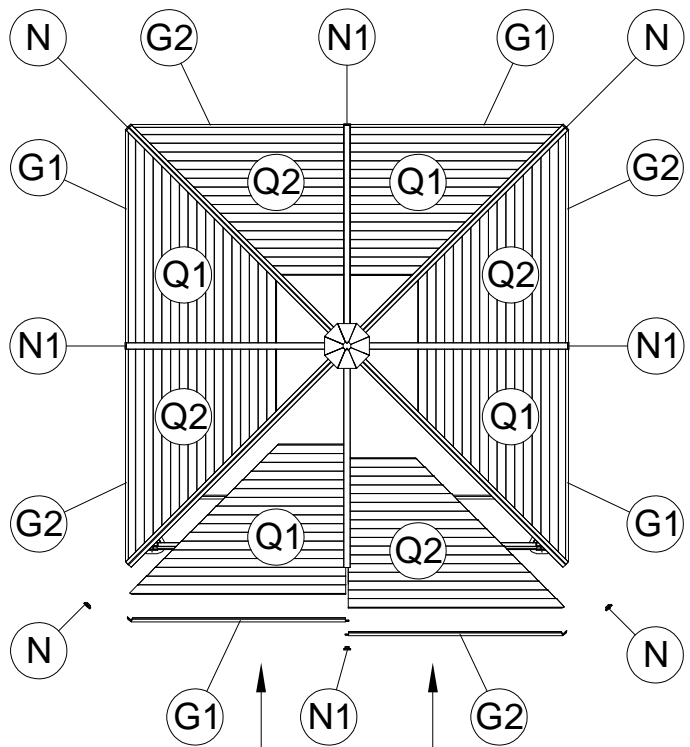
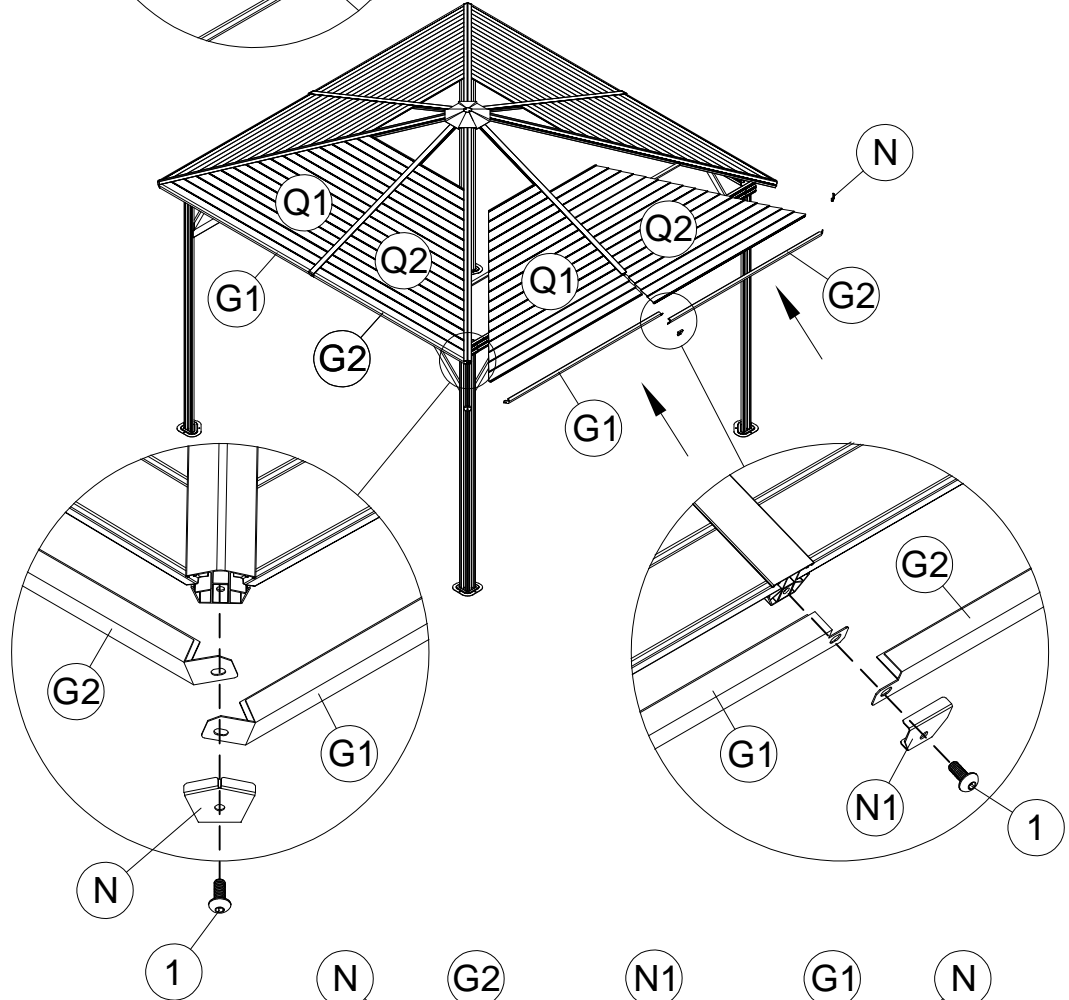
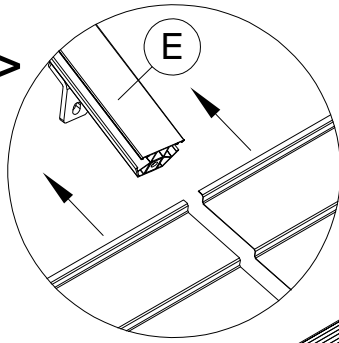
N1 4x



1 8x M6x15

11

<10>



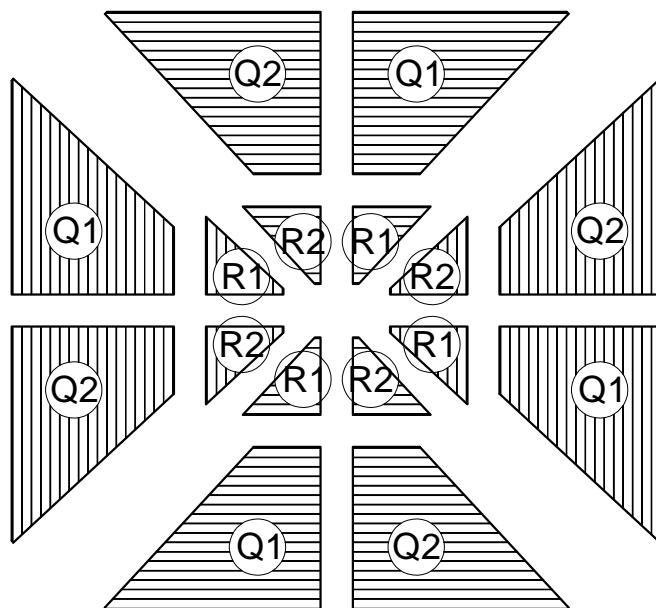
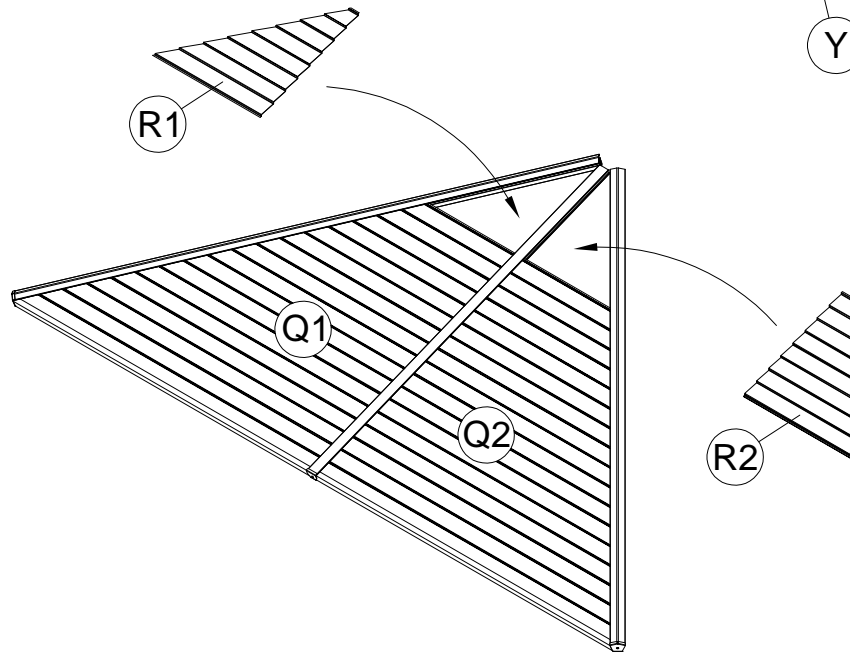
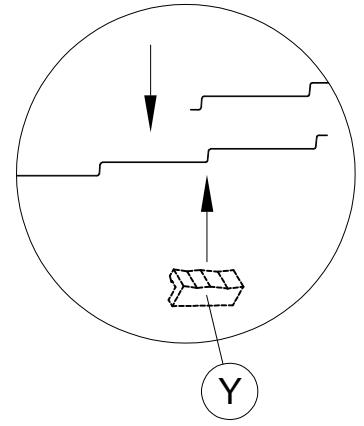


R1 4x



R2 4x

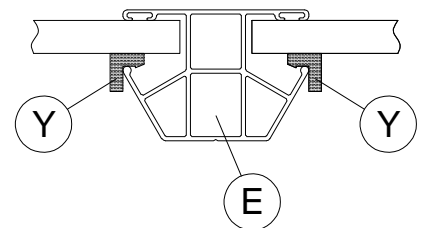
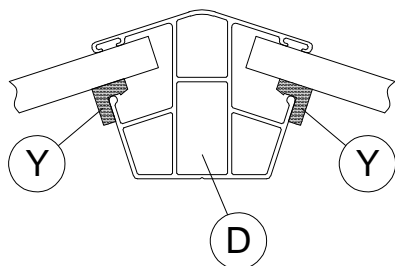
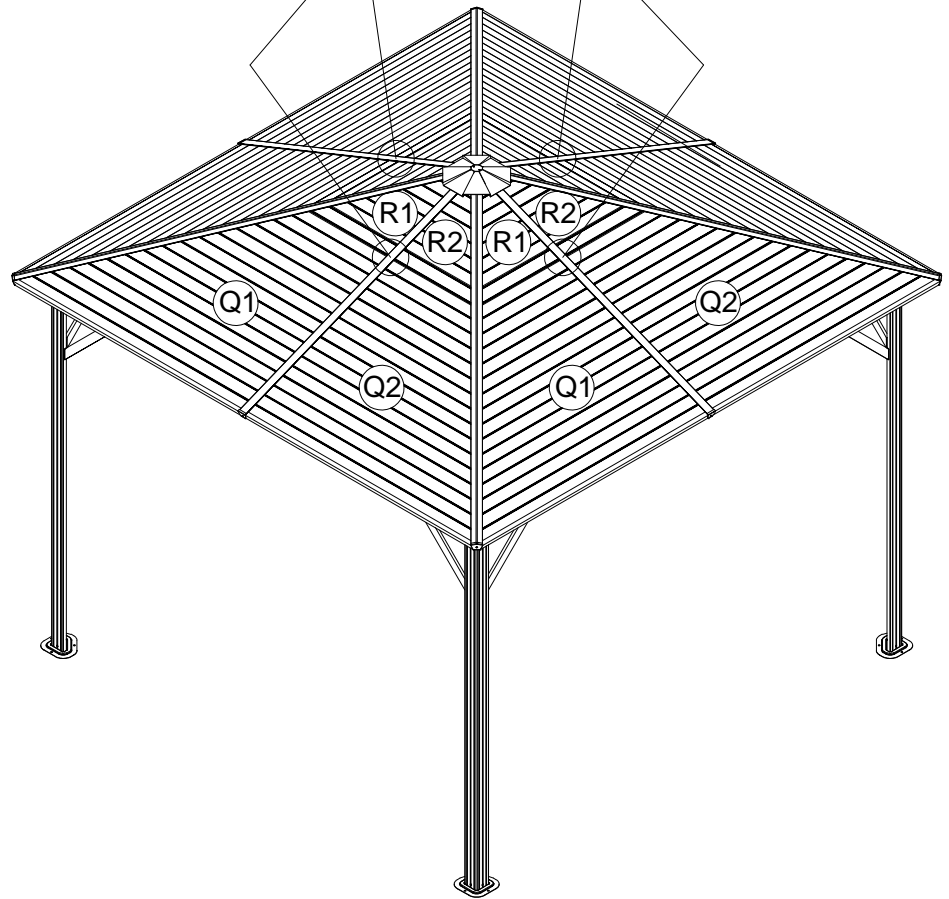
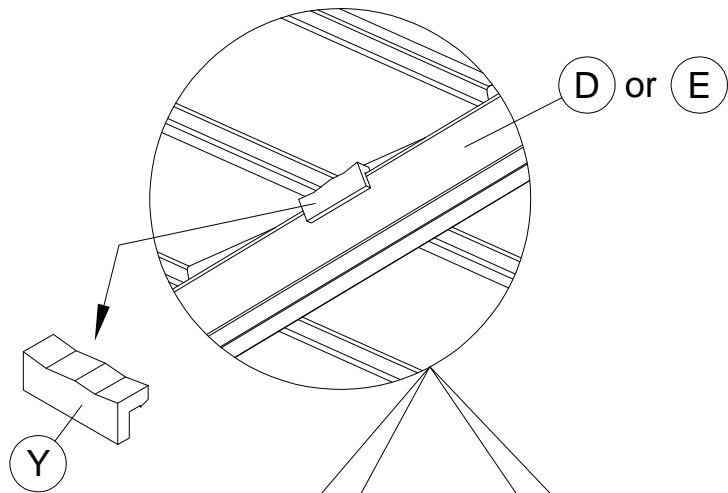
<11>



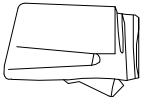


<12>

Y 16x

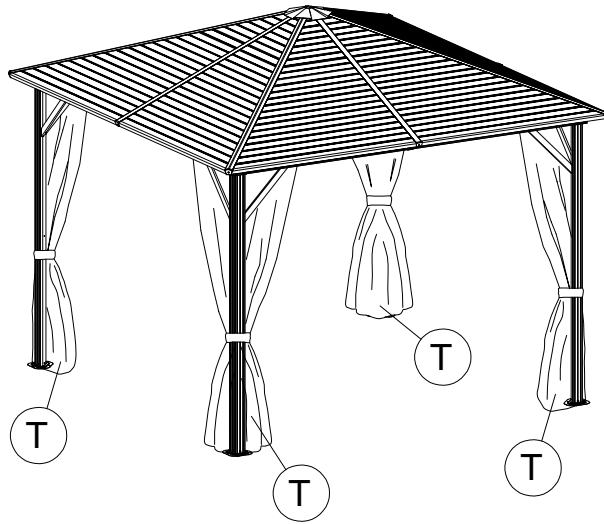
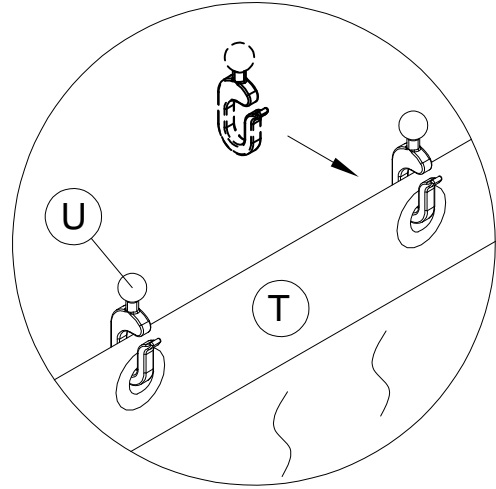
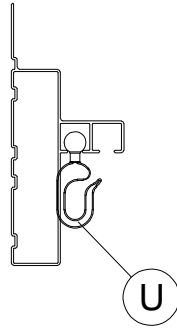


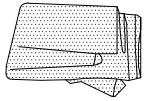
13



<13>

T 4x





<14>

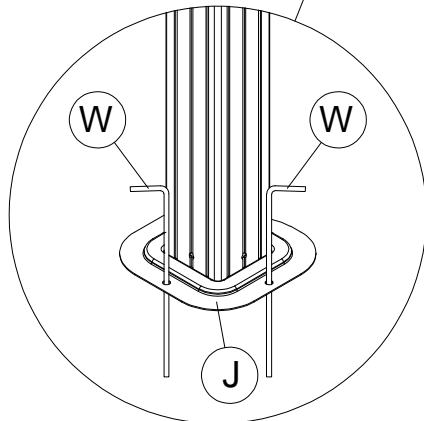
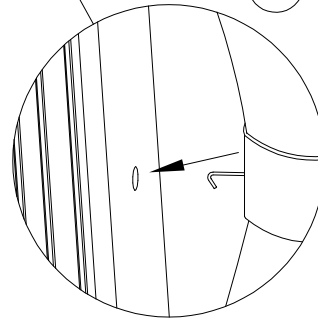
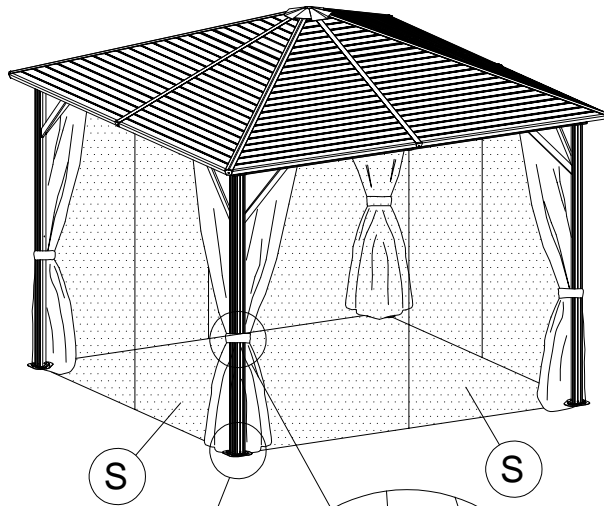
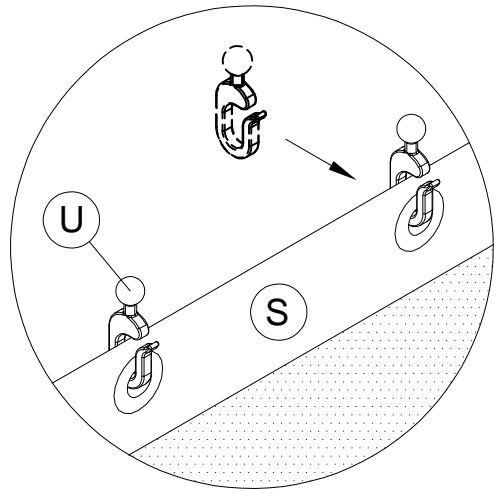
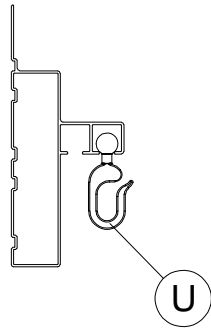
S 4x



W 12x



8 12x



or

