

VIGO INDUSTRIES INSTALLATION GUIDE FOR FIXED PANEL (MODEL VG6075)

SAFETY PRECAUTIONS

This Installation Guide uses the following symbols to indicate important information. Always observe the instructions indicated by these symbols.

WARNING

Instructions that, if ignored, could result in death or serious personal injury caused by incorrect handling or installation of the product. These instructions must be observed for safe installation.

IMPORTANT

Maintenance and other important non-personal injury and non-material damage instructions or statements that should be observed.

It is highly advised to dry fit the unit prior to any installation.

*VIGO reserves the right to modify/update all hardware and glass components based on bettering the product for the end user's experience. If you have any questions contact VIGO Tech Support at 1-866-591-7792.

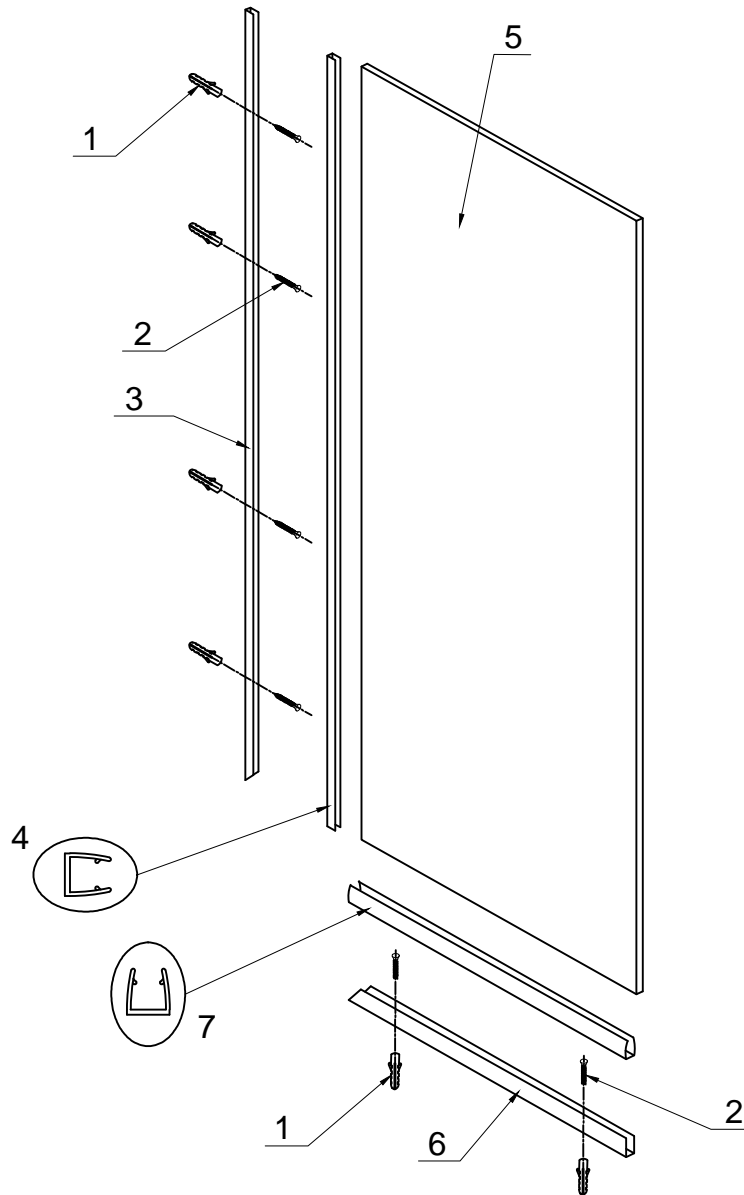
MODEL VG6075 ZENITH

INSTALLATION INSTRUCTIONS FOR FIXED PANEL

PLEASE READ INSTRUCTIONS BEFORE PROCEEDING

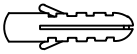





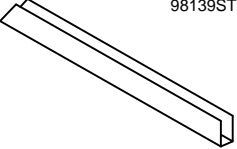

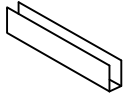
Parts List

- 1. Plastic anchors white (6pc)
- 2. Hex screw 1 5/8" (6pc)
- 3. Vertical rail (1pc)
- 4. Vertical rail seal strip (1pc)
- 5. Fixed panel (1pc)
- 6. Bottom rail (1pc)
- 7. Bottom rail seal strip (1pc)

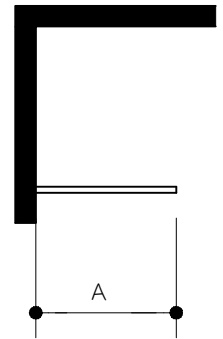


GLASS THICKNESS: 10mm / 3/8"

NOTE: INSTALLATION MUST BE DONE BY A QUALIFIED, LICENSED PROFESSIONAL.

<p>1. PLASTIC ANCHOR</p> <p>98038</p> 	<p>2. HEX SCREW 1 5/8"</p> <p>98039</p> 	<p>3. VERTICAL RAIL</p> <p>98139CH73 98139ST73</p> 	<p>4. VERTICAL RAIL SEAL STRIP</p> <p>96029-73</p>  	<p>5. FIXED PANEL</p> <p>97046CL</p> 
<p>6. BOTTOM RAIL</p> <p>98139CH33 98139ST33</p> 	<p>7. BOTTOM RAIL SEAL STRIP</p> <p>96029-33</p>  			

MODEL	DIMENSION "A"	HEIGHT	FIXED PANEL
VG6075XXCL3474	34 1/8"	74"	33 3/4" X 73 3/4"



⊘ Product lines may change, contact your Vigo representative at 1-866-591-7792 or visit our website at www.vigoindustries.com for the most up to date product line information.

⚠ WARNING

WE STRONGLY RECOMMEND THAT A LICENSED PROFESSIONAL INSTALL THIS FIXED PANEL AND INCLUDE THE ASSISTANCE OF A SECOND PERSON TO INSTALL THE UNIT.

INSTALLATION OF THE FIXED PANEL BY AN INEXPERIENCED PERSON MAY RESULT IN GLASS BREAKAGE AND, CONSEQUENTLY, CAUSE PERSONAL INJURY OR DEATH.

- Handle fragile items with care to prevent injury or material damage.
- Glass on panels and doors is tempered glass and must never be cut to prevent personal injury.
- Always rest glass on a level surface

BEFORE STARTING

Compare items on your invoice with what you have received. Carefully review the Parts List on page 2. If any items are missing contact Vigo Industries at 1-866-591-7792. Please check our website at www.vigoindustries.com for additional information or instructional videos.

REQUIRED TOOLS

- Square and/or Phillips #1 and #2 screwdriver
- Flat head screwdriver
- Electric drill plus 1/4" and 5/16" drill bit (depending on wall)
- Level
- Measuring tape
- Pencil (non-permanent)
- Clear silicone caulking
- Utility knife
- Shims (not provided)

⊘ IMPORTANT

- Fiberglass, acrylic or sheetrock construction might not be sufficiently strong enough to support the fixed panel. You should use the wood framing from behind the face edge of the stall to provide a secure mounting to the door. Apply a bead of silicone between the walls and base of the stall.
- For optimum performance, you should install the fixed panel perfectly level on a level surface.
- When installing use heavy duty gloves.



NOTE: The design of this unit leaves open space in the back of the shower, leaving potential for water leakage.

IMPORTANT:

THE CLEAR GLASS MODEL IS REVERSIBLE AND CAN BE INSTALLED TO THE RIGHT OR LEFT SIDE. (SEE CONFIGURATION DIAGRAM BELOW)

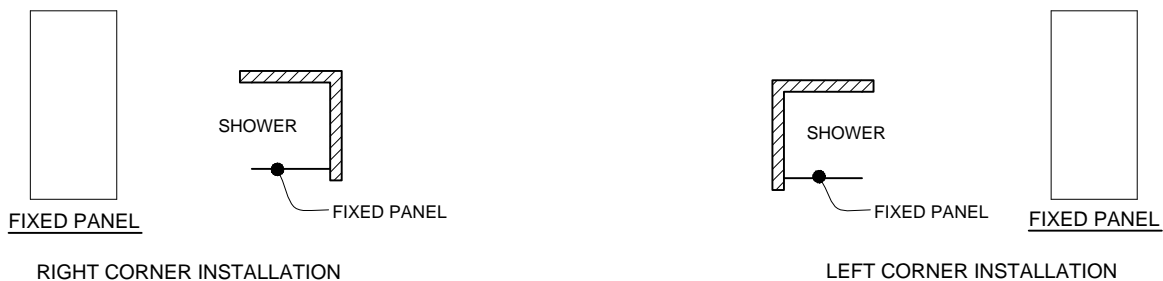


FIG. 1A (GLASS CONFIGURATION DIAGRAM)

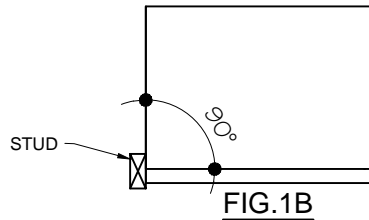
MODEL VG6075

PREPARATION STEPS TO FOLLOW BEFORE INSTALLATION

1. Remove the plastic layer from the base (if needed). Do NOT remove the plastic layer off the plastic platform of the base.
2. Properly apply silicone to the wall and base joints.

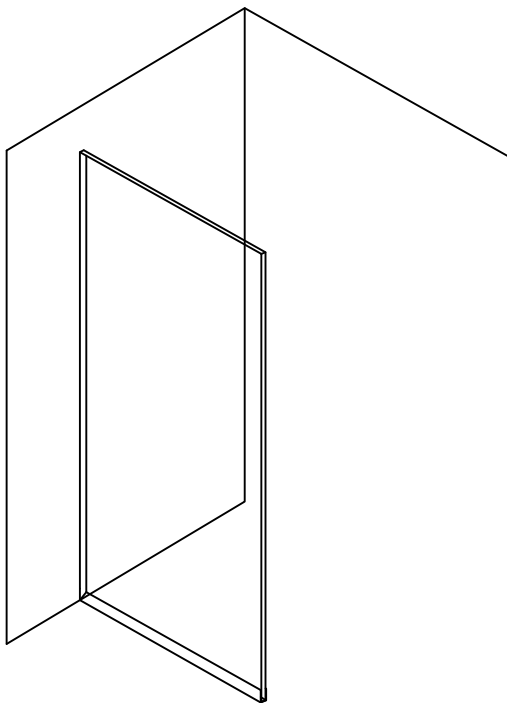
⊘ IMPORTANT

- To prevent damage to the finish, you should protect the shower bottom with a cardboard protector before beginning the installation.
- Ensure that there is sufficient structural support behind the shower wall to hold the weight of the fixed panel. If there is insufficient support, then reinforce the shower walls with wooden studs prior to fixed panel installation. [SEE FIG.1B] (typical for right and left door installation)

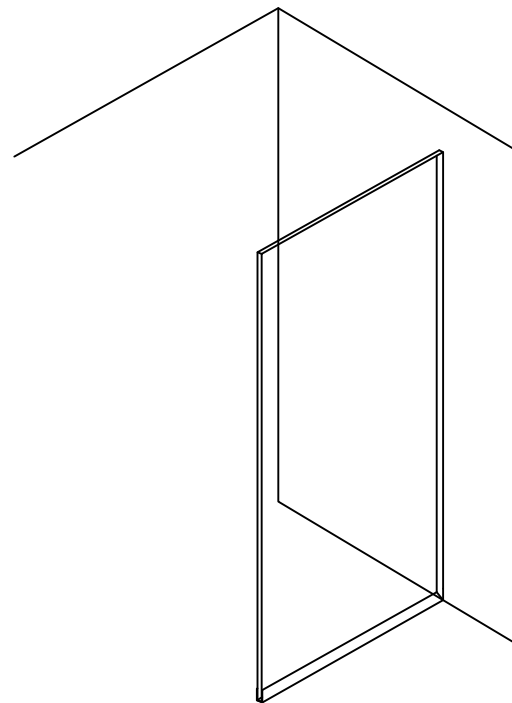


⚠ CAUTION

- **GASKETS NEED TO BE IN BETWEEN ALL GLASS AND METAL CONTACT. FAILURE TO DO SO CAN LEAD TO BREAKAGE AND POTENTIAL BODILY HARM.**



LEFT CORNER
INSTALLATION

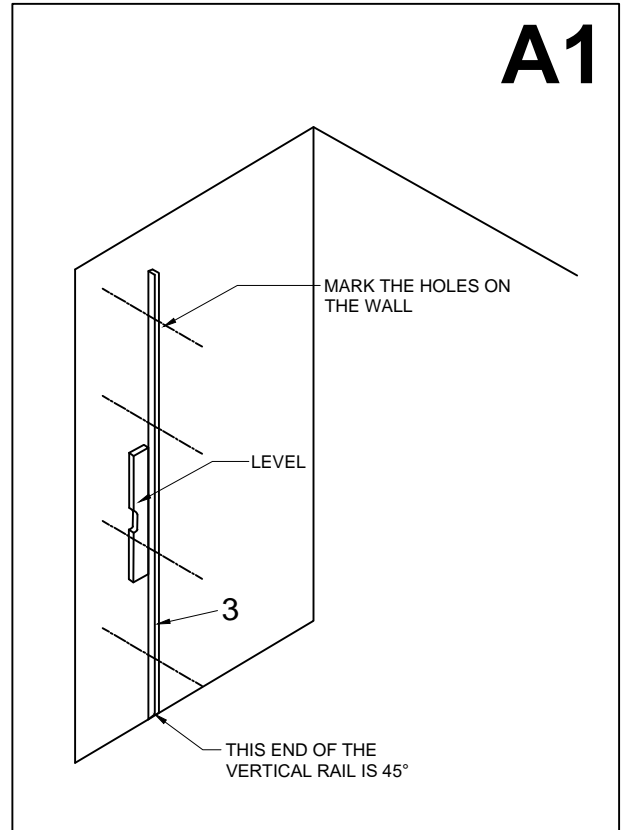


RIGHT CORNER
INSTALLATION

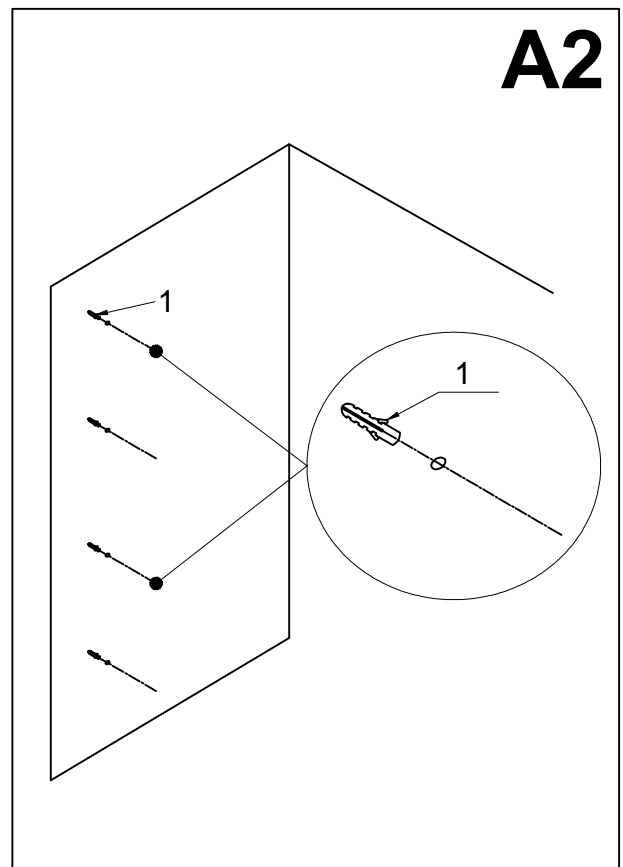
INSTALLATION STEPS

A. INSTALLING THE VERTICAL RAIL

1. Clean the vertical rail (#3) with rubbing alcohol. Place the vertical rail to the preferred configuration. Make sure the vertical rail is resting on the floor or base and is level. The end that should be resting on the floor has a 45° angle. Mark the center of the holes on the wall for the mounting screws.

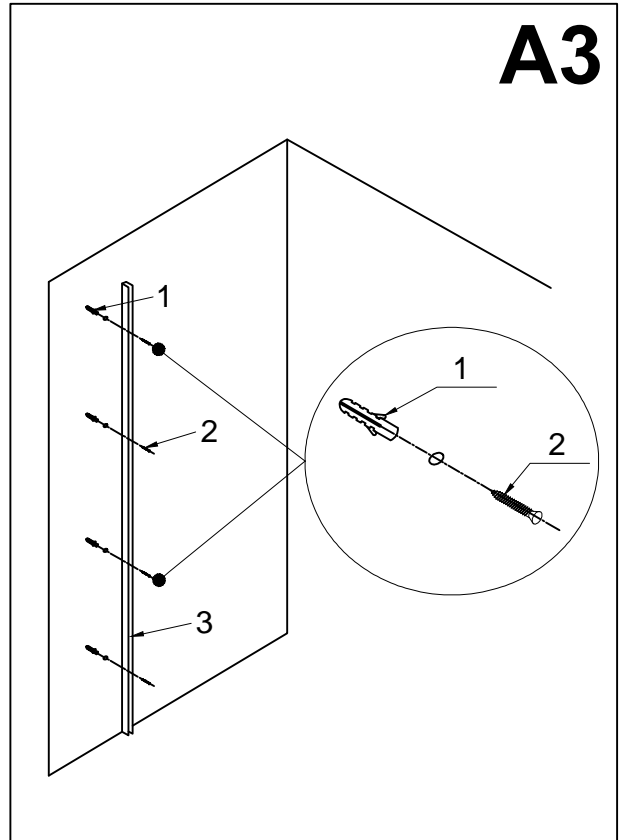


2. Remove the vertical rail (#3) and drill holes into the wall where marked. Place plastic anchors (#1) inside the holes.



A3

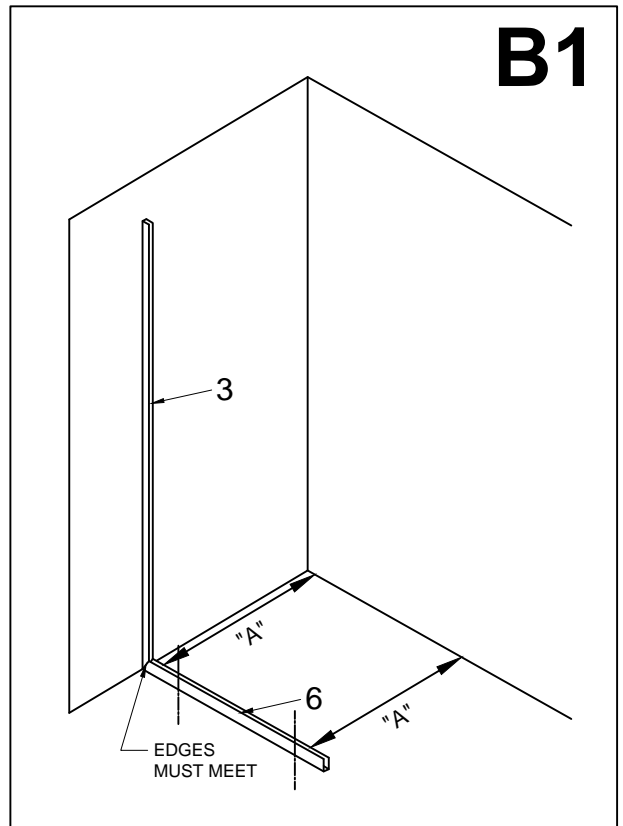
3. Replace the vertical rail (#3) and screw into the plastic anchors (#1) with 1 5/8" hex screws (#2).



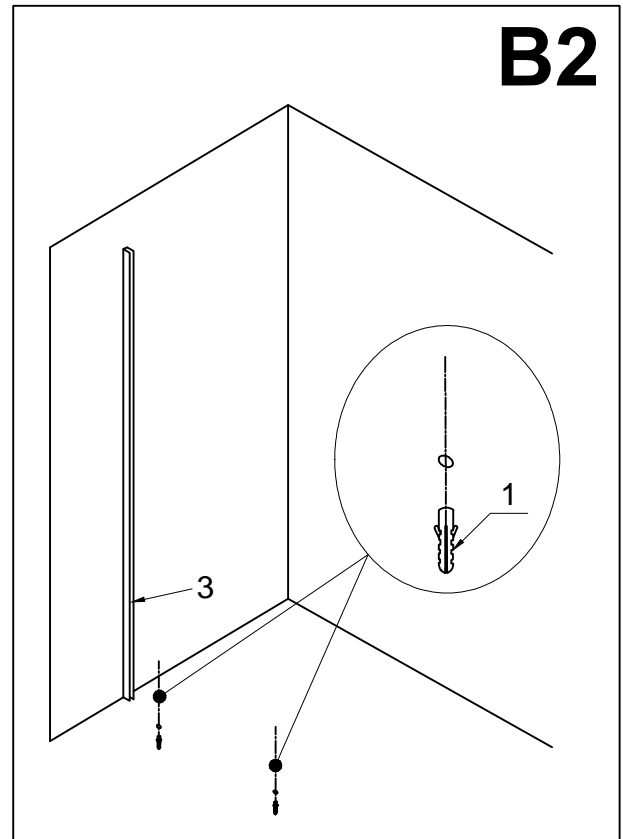
B. INSTALLING THE BOTTOM RAIL

1. Position the bottom rail (#6) on the floor, perpendicular to the vertical rail (#3). Both rails have a 45° angle to ensure a perfect connection. Make sure their edges meet. To be sure the bottom rail is straight measure the distance from each end to the back wall. They should be the same. Mark the center of the holes on the floor for the mounting screws.

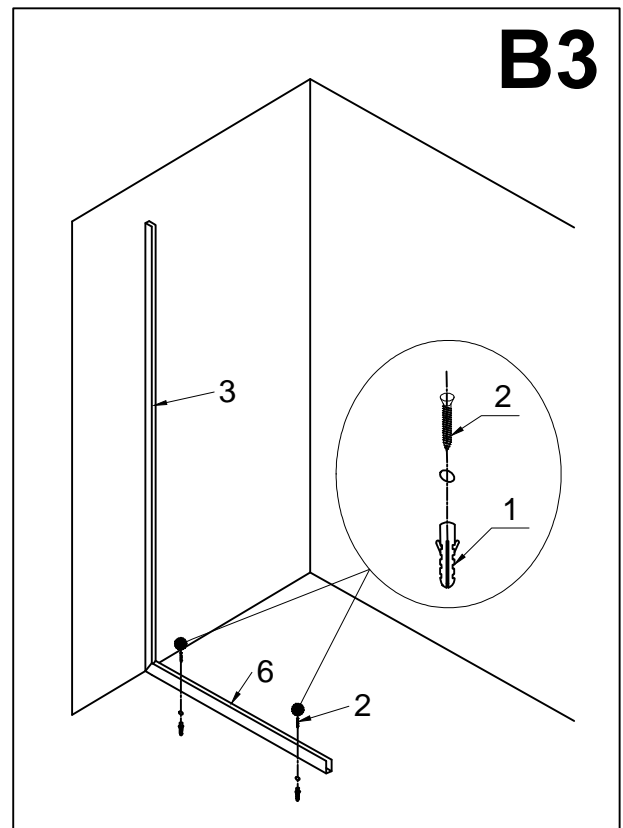
B1



2. Remove the bottom rail (#6) and drill holes into the floor where marked. Place plastic anchors (#1) inside the holes.

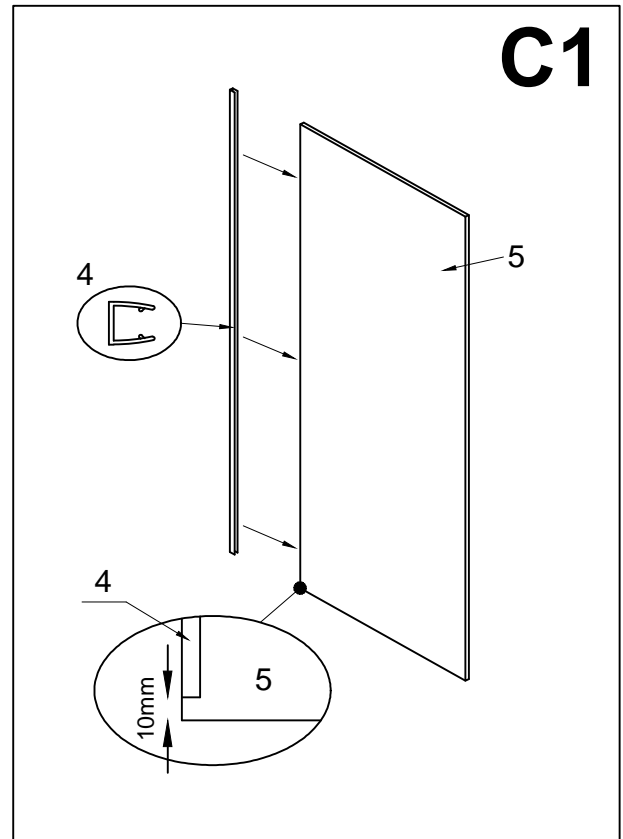


3. Replace the bottom rail (#6) and screw into the plastic anchors (#1) with 1 5/8" hex screws (#2).

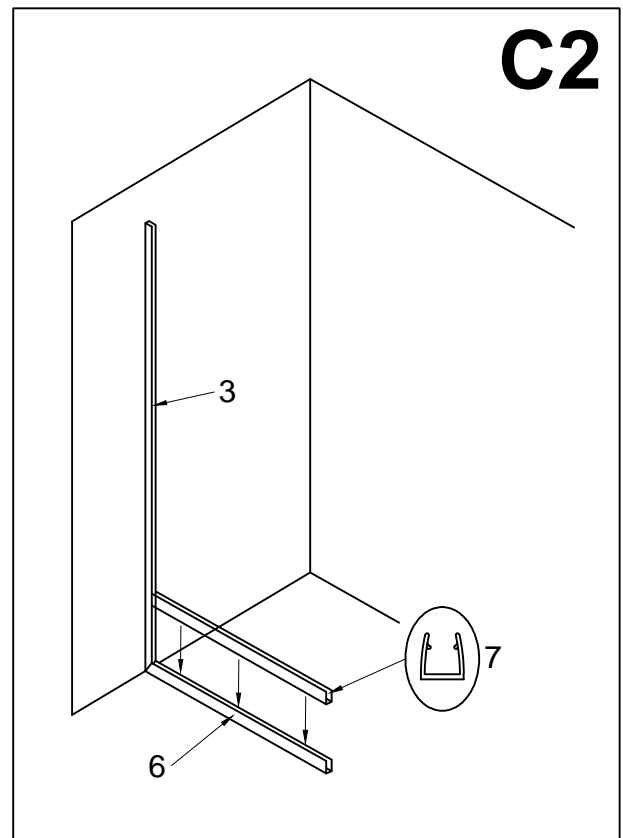


C. INSTALLING THE SEAL STRIPS

1. Clean the fixed panel (#5) with rubbing alcohol. Install the vertical rail seal strip (#4) to the fixed panel (#5). The top end of the seal strip should meet the top of the glass. The bottom end should leave a gap of 10mm from the bottom of the glass.

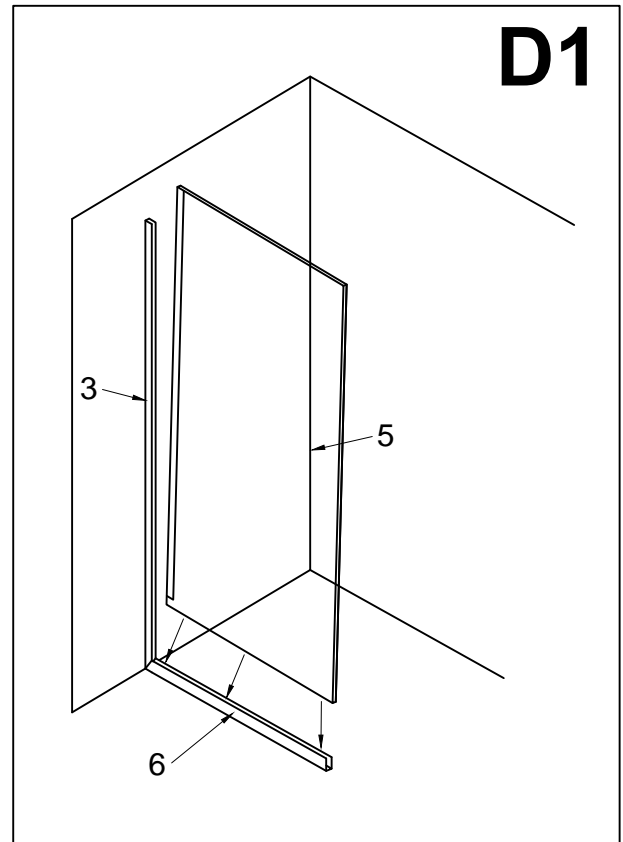


2. Place the bottom rail seal strip (#7) into the bottom rail (#6).

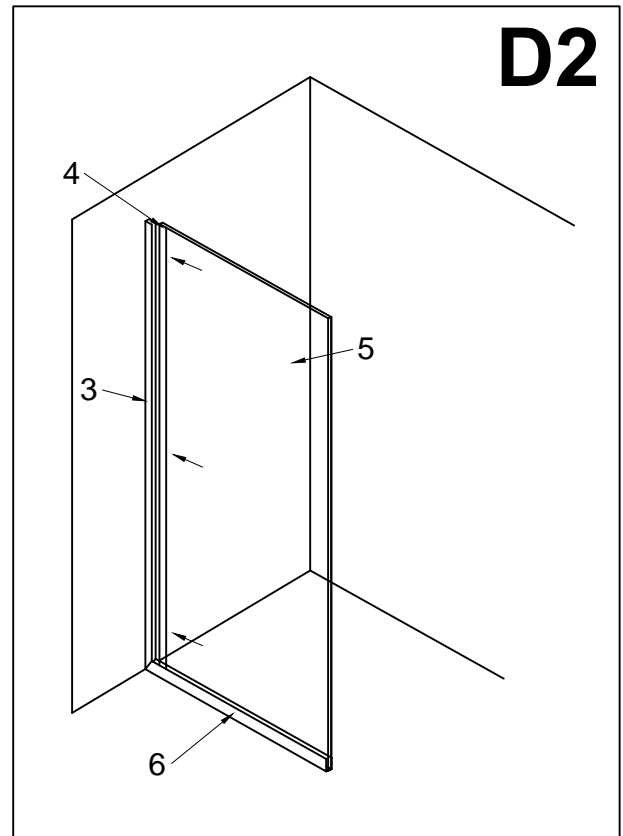


D. INSTALLING THE FIXED PANEL

1. Position the fixed panel (#5) into the bottom rail (#6) by placing the corner of the bottom of the fixed panel inside the outside edge of the bottom rail (#6). Then flatten the rest of the fixed panel (#5) into the bottom rail.

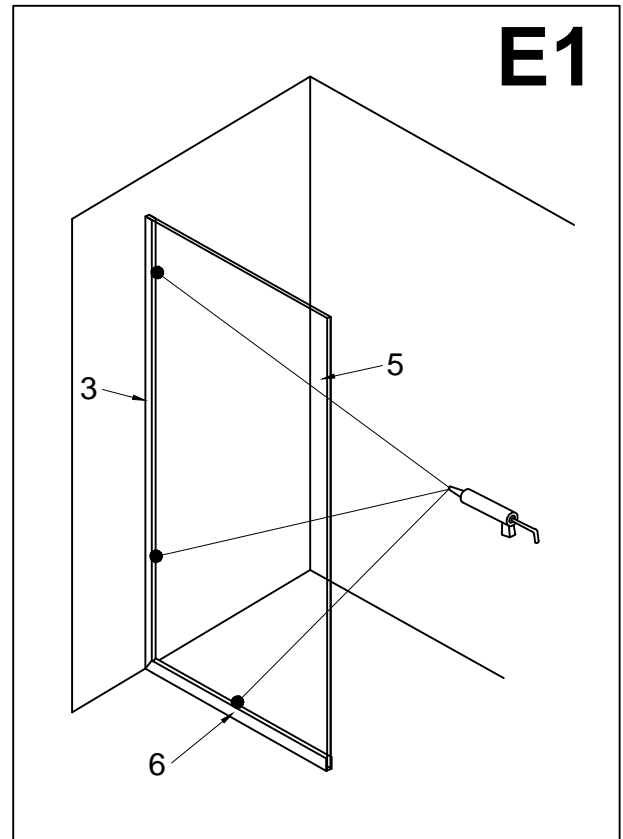


2. Once the fixed panel (#5) is sitting in the bottom rail (#6), you may still have to push the fixed panel into the vertical rail (#3) to complete installation. **Make sure the fixed panel is completely in the vertical rail.**



E. APPLYING SILICONE

1. Apply clear silicone caulking along the vertical rail (#3) and bottom rail (#6) of the fixed panel (#5) interior.



⚠ IMPORTANT

- WAIT 24 HOURS BEFORE USING SHOWER
- DO NOT ALLOW WATER TO DIRECTLY HIT FIXED PANEL SEAL STRIPS.

CLEANING INSTRUCTIONS FOR THE FIXED PANEL

1. Use a mild liquid household cleaner to keep metal surfaces bright and clean. Rinse well and dry with a soft, clean cloth.
2. Remove dust with a soft, damp cloth.
3. Use a standard household window cleaner to clean the glass panels.
4. A water beading treatment, similar to what you would use on an automobile windshield, can be used on the inside of the glass to keep it looking brand new.
5. Use rubbing alcohol to clean and remove grease, oil, paint and ink.
6. Should you accidentally scratch or stain your fixed panel, use a liquid automobile polish to remove.

⚠ IMPORTANT

1. DO NOT use abrasive cleaners, scrapers, metal brushes or any items that could scratch or dull the surface.
2. DO NOT allow surface to come in contact with acetone (nail polish remover), dry cleaning solution, lacquer thinner, gasoline or other similar products.

REGULAR CARE AND MAINTENANCE OF YOUR VIGO FIXED PANEL

Your home is a moving entity, shifting and settling over time. Vigo understands this and has designed their fixed panels with this in mind. It is the responsibility of the homeowner or end user to maintain the integrity of their newly installed fixed panel, using the integrated adjustability features. In order to keep your fixed panel in optimal working condition, Vigo recommends regularly inspecting your fixed panel and tightening any hardware that may have loosened during use. This simple step will insure optimal results from your Vigo fixed panel for many years to come.

VIGO INDUSTRIES, LLC ("VIGO")
SHOWER ENCLOSURE LIMITED LIFETIME WARRANTY

EFFECTIVE JANUARY 1, 2010

VIGO offers the following limited warranty on each of its Shower Enclosure products* (the "Product") and the components thereof. This warranty extends only to the original owner or end-user for personal household use. For commercial uses, additional limitations apply.

VIGO warrants the structural glass component of the Product to be free from defects in workmanship and materials under normal use and service for the period commencing from the initial date of purchase by the owner or end-user, contractor, or builder, from VIGO or an authorized VIGO dealer, through the lifetime of the original owner or end-user.

VIGO warrants the hardware components of the Product to be free from defects in workmanship and materials under normal use and service for a period of two (2) years from the initial date of purchase by the owner or end-user, contractor, or builder, from VIGO or an authorized VIGO dealer.

VIGO warrants the seal strip components of the Product to be free from defects in workmanship and materials under normal use and service for a period of one (1) year from the initial date of purchase by the owner or end-user, contractor, or builder, from VIGO or an authorized VIGO dealer.

Subject to the Warranty Service provision below, any product reported to the authorized dealer or to VIGO as being defective within the warranty period will be repaired or replaced (with a product of equal value) at the option of VIGO. This warranty extends to the original owner or end-user and is not transferable to a subsequent owner.

Neither the distributor, authorized VIGO dealer, nor any other person has been authorized to make any affirmation, representation, or warranty other than those contained in this warranty. Any affirmation, representation, or warranty other than those contained in this warranty shall not be enforceable against VIGO or any other person.

VIGO reserves the right to modify this warranty at any time, it being understood that such modifications will not alter the warranty conditions applicable at the time of sale of the products in question.

Limitations

This warranty shall not apply to instances of incorrect operating procedures, breakages, or damages caused by fault through improper installation, carelessness, abuse, misuse, misapplication, improper maintenance, or alteration of the Product, as well as chemical or natural corrosion, accident, fire, flood, an act of God, or any other casualty. Avoid abrasive cleaners, steel wools, and harsh chemicals as these will scratch, damage, and / or dull the product and / or finish and void this warranty. The owner/end-user of the Product covered by the present warranty is entirely responsible for its proper installation and any applicable plumbing or electrical wiring. VIGO neither installs nor supervises the installation nor hires a contractor for this purpose; consequently, VIGO cannot be held responsible for any default, breakage, or damages caused thereby or resulting thereof, either directly or indirectly.

The owner/end-user must provide access to the components of the Product as described in the installation guide so that VIGO can execute the warranty specified herein. If such access is not available, all expenses to provide said access will be the responsibility of the owner/end-user.

This warranty does not apply to Products that have not been installed or operated in accordance with instructions supplied by VIGO and all applicable rules, regulations, and legislation pertaining to such installations.

This warranty does not apply unless the VIGO Product is installed by fully insured licensed professionals. VIGO strongly recommends that such licensed professionals have experience in the installation of bathroom and kitchen products. Installation of certain products, including, without limitation, glass products (i.e., shower doors and glass sinks) by an inexperienced person may result in glass breakage and, consequently, cause personal injury or death.

VIGO is not liable for personal injuries or deaths to any persons or for any direct, special, incidental, or consequential damage, loss of time, loss of profits, inconvenience, incidental expenses, labor or material charges, or any other costs resulting from the use of the product or equipment or pertaining to the application of the present warranty, or resulting from the removal or replacement of any product or element or part covered by this warranty.

EXCEPT AS OTHERWISE PROVIDED ABOVE, VIGO MAKES NO WARRANTIES, EXPRESSED OR IMPLIED, INCLUDING WARRANTIES OF MERCHANTABILITY AND FITNESS FOR A PARTICULAR PURPOSE OR COMPLIANCE WITH ANY CODE.

In any case, VIGO cannot be held liable for any amount over and above the purchase price paid for the Product by the owner/end-user, contractor, or builder.

Commercial Limitations

In addition to the above conditions and limitations, the warranty period for products installed for commercial applications or used in commercial ventures is one (1) year from the initial date of purchase by the owner/end-user, contractor, or builder from an authorized dealer. VIGO is not responsible for loss of use or profit under any circumstances. If the product is used as a display, the warranty period begins when the product is placed on display. This warranty gives the owner/end-user specific legal rights. The owner/end-user may also have other rights which can vary from one state or province to another.

Warranty Service

In order to obtain service provided under this warranty during regular business hours, contact the dealer or distributor who sold the unit, or contact VIGO directly. VIGO will provide the warranty service described above when the following conditions have been met: the failure is of the nature or type covered by the warranty; the user has informed an authorized VIGO Agent or VIGO's warranty service department representative of the nature of the problem during the warranty period; conclusive evidence (e.g., proof of purchase or installation) is provided to the foregoing by the user proving that the failure occurred or was discovered within the warranty period; an authorized independent service person or company representative has been permitted to inspect the product during regular business hours within a reasonable time after the problem was reported by the user. VIGO's warranty obligation shall be discharged upon tender of replacement or repair. The customer's refusal to accept the tender terminates VIGO's warranty obligations.

*Certain models are pending approval.
Certification may be ended by VIGO or certification agencies without notice.