

DESCRIPTION:

- **WALL-MOUNT PRE-RINSE KITCHEN FAUCET -CHROME**
WITH PULL-DOWN SPRAY

OPERATION:

- Lever style handles

FLOW:

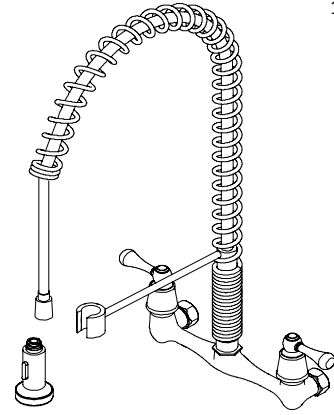
- Max. Flow Rate: 1.8GPM(6.814LPM) at 60PSI

CARTRIDGE:

- Ceramic cartridge design
- Engineered polymers, brass and ceramic materials

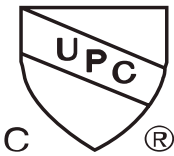
STANDARDS & CERTIFICATIONS:

- ASME A112.18.1/CSA B-125.1 and all applicable requirements referenced therein
- cUPC ,NSF 61-9 and Lead Free Certified by IAPMO
- California AB1953 Compliant



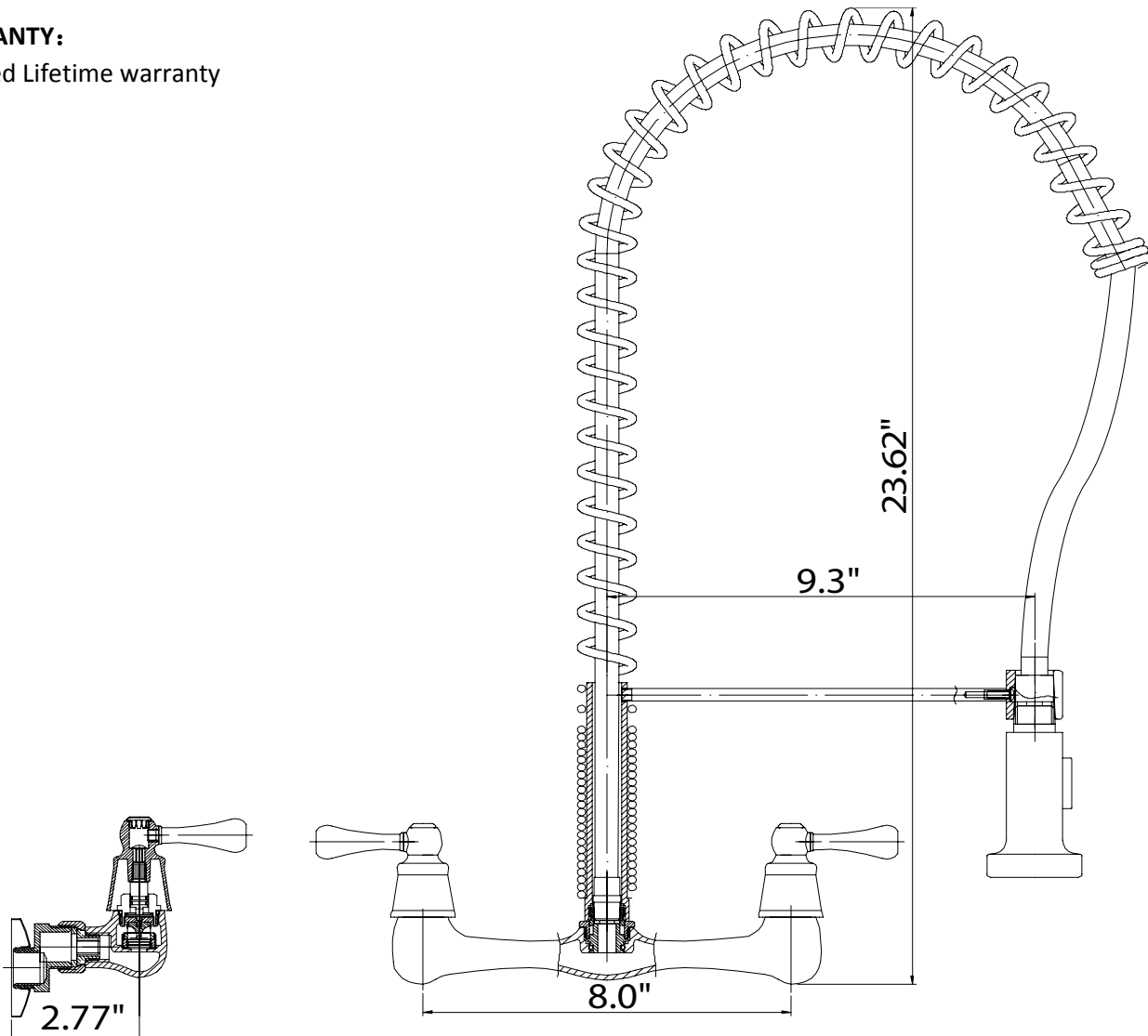
WALL-MOUNT PRE-RINSE KITCHEN FAUCET
Model Family : 255-K820

NSF-61-9

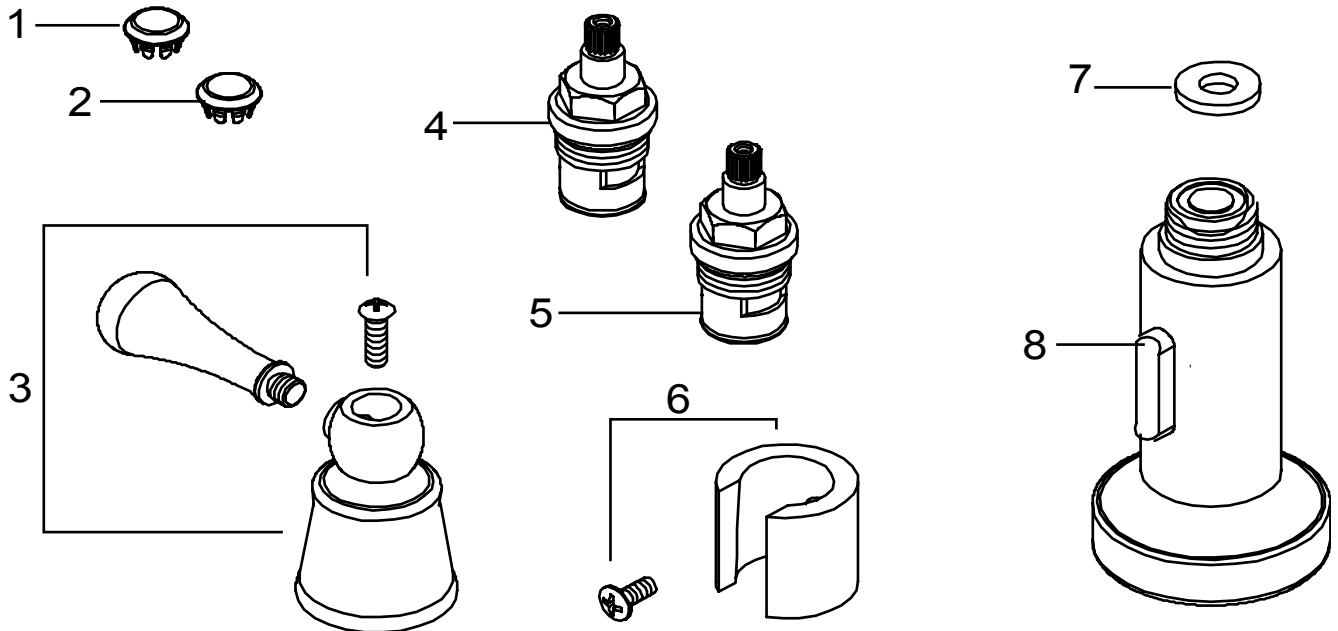


WARRANTY:

- Limited Lifetime warranty



REPLACEMENT PARTS LIST:



PART	DESCRIPTION	PART #
1	Index button - hot	RP00607*
2	Index button - cold	RP00608*
3	Handle assembly	RP00609*
4	Cartridge - hot	RP00610
5	Cartridge - cold	RP00611
6	Spray holder and screw	RP00612*
7	Hose washer	RP00613
8	Spray head	RP00614*

* Please specify finish when contacting Customer Service for support