

ASTRACAST USA, INC. KITCHEN SINKS WARRANTY

GRANITE ROK® SINKS

Astracast USA, Inc. carries a **LIMITED LIFETIME WARRANTY** on Granite ROK® sinks to be free of all manufacturing defects under normal use. **LIMITED SINK WARRANTY**

Astracast USA, Inc. will replace without charge, (excluding labor) any Granite ROK® sink supplied by Astracast USA, Inc. that is proven to be defective within the specified appropriate period from date of purchase, to the original owner, provided it has been used solely in a residential application and installed in accordance with the Astracast installation instructions, used and cleaned as recommended, and not damaged due to abuse, misuse, or negligence.

The following conditions are covered by this Granite ROK® warranty:

- Bubbling
- Thermal Cracking
- Inconsistent Color
- Routing Imperfections
- Surface blemishes
- Warped deck

The following conditions are **not** covered by this Granite ROK® warranty:

- Chipping
- Cuts and Nicks
- Freight/Shipping damage
- Holes drilled incorrectly
- Installation damage
- Scratches due to use
- Scuff marks

Astracast USA, Inc. shall **not** be liable in any case of:

- Improper installation/modification
- Damages resulting from abuse, such as heavy impact or dropped objects
- Improper care or maintenance
- Improper applications (such as exposure to corrosive chemicals, photographic solutions, etc.)
- Any modifications made to the product after it left Astracast USA, Inc. premises other than correctly drilled faucet holes
- Commercial applications

Burns and Heat Marks - Temperatures under 536° F (Granite ROK®) do not affect these products. Temperatures over 536° F are not covered.

STAINLESS STEEL SINKS

PREMIUM & ESATTO RANGE

Astracast USA, Inc. Premium & Esatto range stainless steel sinks feature a **LIMITED LIFETIME WARRANTY** to be free of all manufacturing defects under normal use.

EDGE & ECHO RANGE

Astracast USA, Inc. Edge & Echo range of stainless steel sinks feature a **LIMITED 15 YEAR WARRANTY** to be free of all manufacturing defects under normal use.

LIMITED SINK WARRANTY

Astracast USA, Inc. will replace without charge, (excluding labor) any Stainless Steel sink supplied by Astracast USA, Inc. that is proven to be defective, with an equivalent replacement, within the specified appropriate period from date of purchase, to the original owner, provided it has been used solely in a residential application and installed in accordance with the Astracast installation instructions, used and cleaned as recommended, and not damaged due to abuse, misuse, or negligence. Astracast USA, Inc. shall **not** be liable in case of:

- Improper installation/modification
- Damages resulting from abuse, such as heavy impact or dropped objects
- Improper care or maintenance
- Improper applications (such as exposure to corrosive chemicals, photographic solutions, etc.)
- Any modifications made to the product after it left Astracast USA, Inc. premises
- Commercial application

CERAMIC FIRECLAY SINKS

Astracast USA, Inc. carries a **LIMITED 1 YEAR WARRANTY** on Ceramic Fireclay sinks to be free of all manufacturing defects under normal use and a **LIMITED 10 YEAR WARRANTY** on fading and staining.

LIMITED SINK WARRANTY

Astracast USA, Inc. will replace without charge, (excluding labor) any Ceramic Fireclay sink supplied by Astracast USA, Inc. that is proven to be defective within the specified appropriate period from date of purchase, to the original owner, provided it has been used solely in a residential application and installed in accordance with the Astracast installation instructions, used and cleaned as recommended, and not damaged due to abuse, misuse, or negligence.

Astracast USA, Inc. shall **not** be liable in case of:

- Improper installation/modification
- Damages resulting from abuse, such as heavy impact or dropped objects
- Improper care or maintenance
- Improper applications (such as exposure to corrosive chemicals, photographic solutions, etc.)
- Any modifications made to the product after it left Astracast USA, Inc. premises
- Commercial application

In the event of a warranty claim, the owner will be required to provide proof of purchase – please save sales receipt.

This warranty will not cover any damages which might be caused by the product. (Some states do not allow such limitation, so this reference may not apply to you.)

Astracast USA, Inc. reserves the right to inspect any sink reported to be defective prior to replacement of the sink. All decisions are final. Replacement cost EXCLUDES transportation and any labor costs for the removal or reinstallation.

This warranty supersedes all other warranties, expressed or implied.

The foregoing warranties are exclusive and made only for the buyer. NO OTHER WARRANTY, WHETHER EXPRESS, IMPLIED, OR STATUTORY, INCLUDING ANY WARRANTY OF MERCHANTABILITY OR FITNESS FOR A PARTICULAR PURPOSE SHALL BE DEEMED TO EXIST IN CONNECTION WITH ANY OF THE GOODS OR SERVICES SUPPLIED HEREUNDER, AND ANY IMPLIED WARRANTIES FOR A PERIOD GREATER THAN THE WARRANTY PERIOD CONTAINED IN THE ASTRACAST USA, INC. LIMITED WARRANTY ARE HEREBY EXCLUDED. ASTRACAST USA, INC. SHALL NOT BE LIABLE FOR ANY INDIRECT, INCIDENTAL, SPECIAL OR CONSEQUENTIAL DAMAGES IN ANY WAY RELATED TO THE GOODS OR SERVICES SUPPLIED HEREUNDER. No employee, agent, or other person is authorized to give any warranties on behalf of Astracast USA, Inc. in addition to or different from the herein given to assume for Astracast USA, Inc. any other liability in connection with any of its products except if in writing which is signed by an officer of Astracast USA, Inc. and expressly and intentionally gives such warranties or assumes such liability.

www.astracast.com 14525 Monte Vista Ave, Chino, CA 91710 Tel: 866.854.2516

CAUTION

Read ALL instructions carefully before commencing installation. EASY TO FOLLOW GUIDE FOR HOME INSTALLATION AND MAINTENANCE HOW THIS GUIDE WILL HELP YOU

This guide describes everything you need to know about installing your new sink. It includes drawings and descriptions of its parts. Before you begin, examine all parts and the drawings in this guide. If you read the instructions first, you will know what tools and materials you should have ready during installation.

Please handle all parts carefully to prevent scratches or breakage.

BEFORE YOU BEGIN

Thank you for purchasing this Astracast Kitchen Sink.

PLEASE READ ALL INSTRUCTIONS PRIOR TO INSTALLATION OF THE SINK. PLEASE ALSO READ AND FOLLOW THE INSTALLATION INSTRUCTIONS FOR ANY OTHER PRODUCTS INTENDED TO BE INSTALLED WITH THIS SINK.

CAUTION: HANDLE WITH CARE

PLEASE NOTE THAT THE EDGE OF THE SINK MAY BE SHARP. TAKE ANY PRECAUTIONS NECESSARY TO AVOID PHYSICAL INJURY DURING HANDLING AND INSTALLATION.

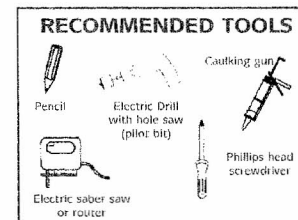
TOOLS AND MATERIALS

ASK YOUR COUNTERTOP DEALER FOR A LIST OF THE PROPER TOOLS NECESSARY TO CUT A HOLE IN YOUR COUNTERTOP.

READ THE INSTALLATION INSTRUCTIONS THAT ACCOMPANIED FAUCETS AND ACCESSORIES THAT ARE INTENDED TO BE INSTALLED WITH THE SINK. THE INSTALLATION INSTRUCTIONS SHOULD PROVIDE A LIST OF INSTALLATION TOOLS, AIDS AND TIPS FOR EACH INDIVIDUAL PRODUCT.

To install this sink you may need:

- An electric saber saw or router
- A caulking gun with Acrylic or Silicone caulk
- A pencil
- A tape measure
- A hole saw 1 3/8" carbide/diamond tip recommended
- An electric drill
- A Phillips screwdriver
- Scrap lumber (Two 2" x 4" each 2' long would be sufficient)
- A paint brush
- Clean up materials such as disposable cloths, soap and water.



THE TEMPLATE

THE TEMPLATE IS INTENDED TO BE USED AS A GUIDE ONLY! Manufacturer does not guarantee or in any way warrant installation due to the wide variance of installation practices and other conditions beyond our control.

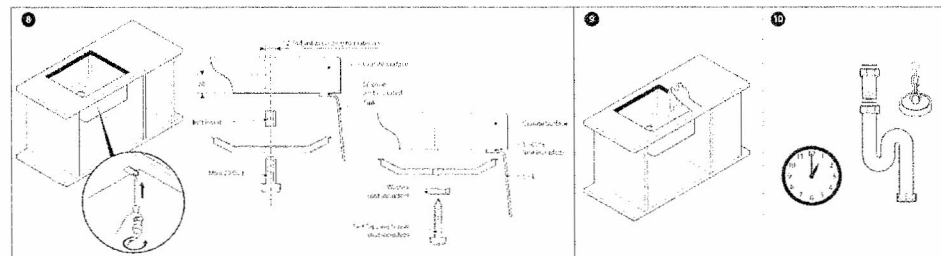
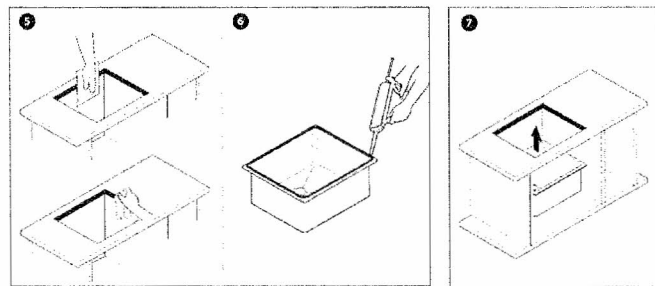
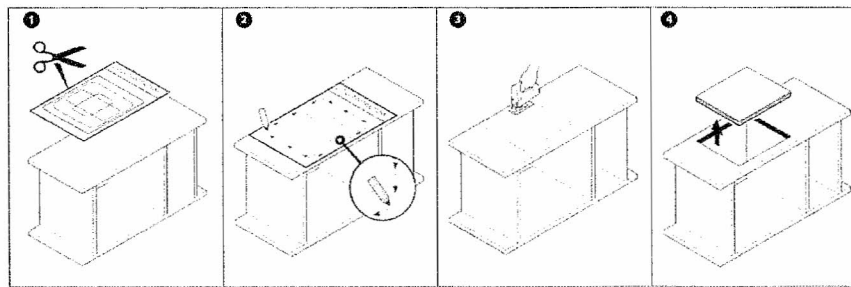
You should inspect all products for any defects prior to installation.

Fitting the sink:

1. Place the undermount template onto the countertop and position accordingly, ensure that the bowl will sit inside the cabinet when fitting is complete and that it will not interfere with the cabinet framework. It should be orientated as shown in the attached diagram and run parallel to the countertop edge and central across its depth.
2. With a pencil draw a line around the template aperture onto the countertop and then remove the template
3. Using a jigsaw carefully cut out the line that you have made
4. Carefully remove the waste area of the countertop.

- Note: please be careful when coming to the end of the cut, that the area of the countertop being cut does not fall away. This may cause the saw blade to catch or damage the cabinet if allowed to fall away completely. Either attach a strip of wood to the underside of the countertop that spans the cut-out or have someone else hold the waste part.
5. Carefully sand or polish the edge of the cut out to remove any sharp edges, carefully brush the edges with a dusting brush.
 6. Run a bead of silicone (make sure that this is 100% silicone and not a silicone/acrylic blend) around the rim of the sink ensuring that you cover the entire profile.
 7. Carefully place the sink into the base unit

- and position it so it lines up with the cut out of the worksurface
8. Fix the sink in place using the clips provided refer to **fig. 8**.
 9. Using a damp cloth and methylated spirit carefully clean the edges of the sink to ensure any excess silicone is removed. Ensure that the sink does not move whilst doing this. Allow the sealant to cure according to the manufacturers instructions.
 10. Only fit the waste kit and the pipework after the sealant has cured to avoid the sink moving.



Fitting the sink:

1. Position the Sink Centrally front to back on the countertop so the bowls do not foul the cabinet
2. Use the paper template to create a timber jig suited to your router. Note drawings available for CNC cutting machines
3. Clamp the router jig to the countertop. Using a router and the jig create the undermount sink cut out required in the countertop.
4. Support the sink around the faucet hole area. Drill the faucet holes using a ø35mm hole saw.
5. Dry fit the sink under the countertop. Mark the position of the faucet holes on the underside of the countertop.

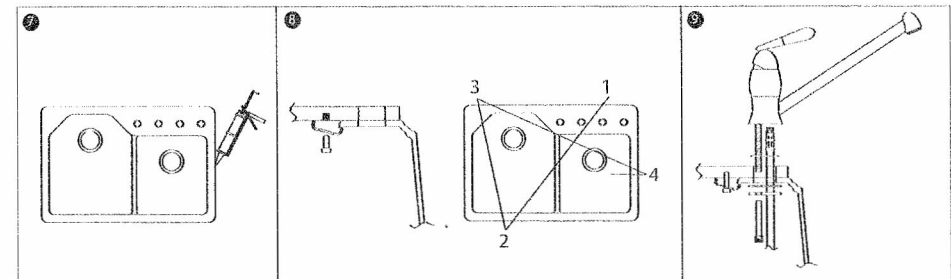
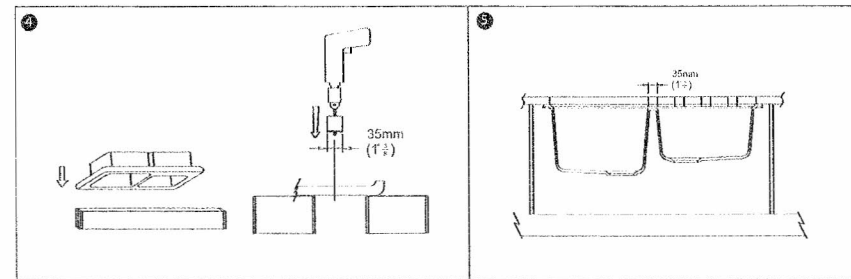
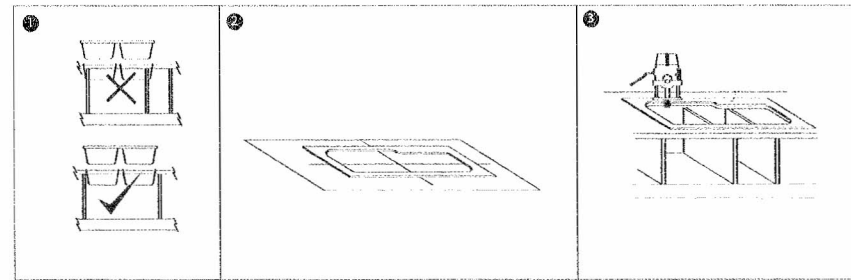
Also check the sink matches the profile of the countertop cut out.

6. Remove the sink from the countertop. Drill the faucet holes through the countertop using the marks made as a guide for the center of each hole required. Drill each hole using a ø35mm hole saw
7. Clean the countertop and the sink rim thoroughly. Apply silicone around the top of the sink rim in an even bead

8. Move the sink into position under the countertop, lining up the cut out and faucet holes then secure the sink in place using all the 'U' shaped brackets provided spaced evenly.

note: If the countertop is not wood then inserts may be required, tighten the clips in the order shown using a screwdriver.

9. Fit the faucet as shown, compressing the faucet into the sink and countertop. Do not overtighten the faucet, it may damage the sink or countertop. note: Your faucet may require a longer bolt to pass through both the countertop and sink, contact your faucet manufacturer for further details.

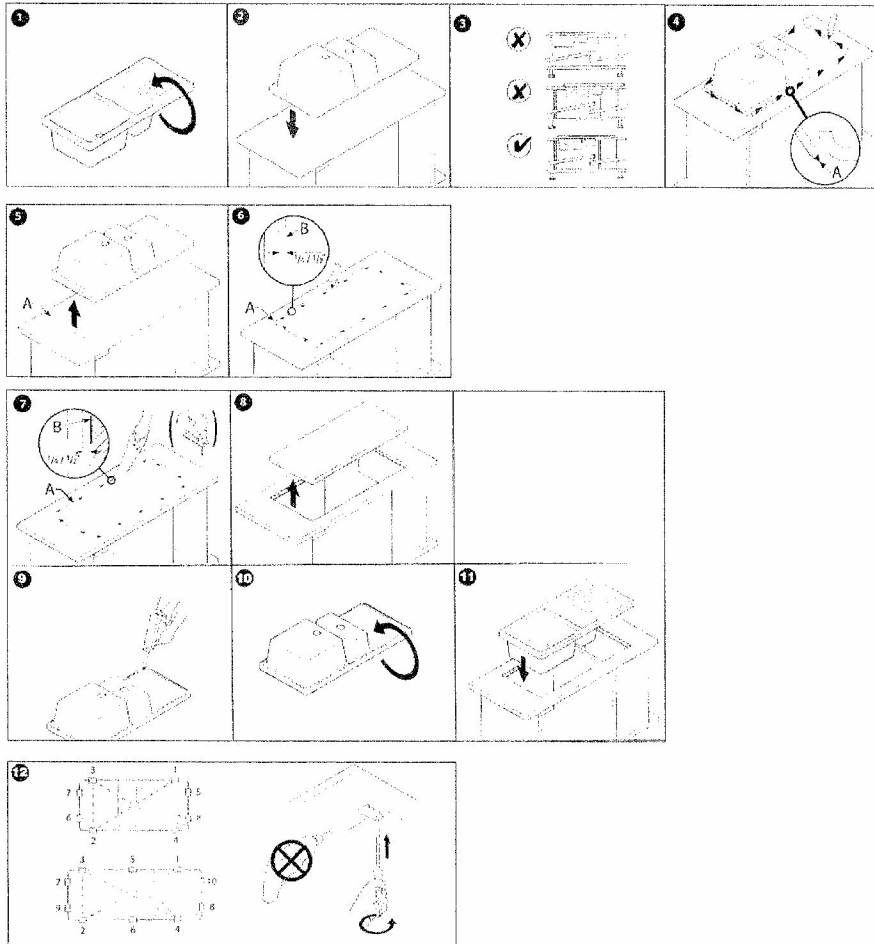


Fitting the sink:

1. Turn sink over.
2. Lay sink on countertop.
3. Check alignment with unit ensure it will not interfere with cabinet framework.
4. With a pencil mark sink outline (LINE 'A').
5. Carefully remove sink.
6. Mark line 'B' 1/4" (steel sink), 1/2" (granite ROK® sink) inside the sink outline (LINE 'A').
7. Cut the sink cutout to the inside of line 'B'.

8. Carefully remove the waste area of countertop. **NOTE:** Please be careful when coming to the end of the cut that the area of countertop that is going to be removed does not fall away. This may cause the saw blade to catch or damage the cabinet is allowed to fall away completely. Either attach a strip of wood to the underside of the countertop that spans the cut-out or have someone else hold the waste part.

9. Apply a bead of 100% silicone around the underside of sink edge.
10. Turn sink over so that is the right way round.
11. Carefully place sink into cutout.
12. Lightly tighten all clips, finally, tighten all clips in order shown.



Bistro models only

Fitting the sink:

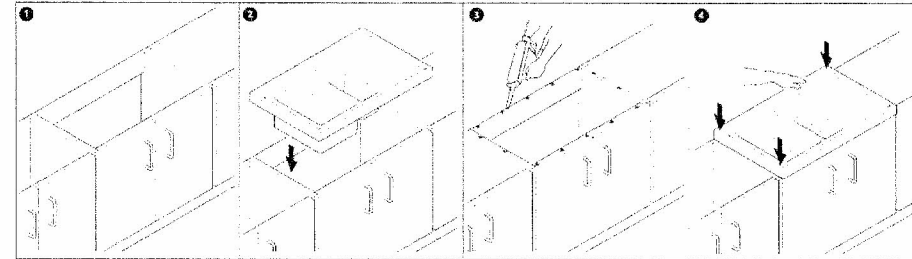
1. Ensure that the base unit is in the correct position and is securely fitted to the wall or floor.
2. Place the sink onto the unit to check the fit. Ensure that when the countertops are

subsequently fitted that the front faces of the countertops and sink will all run parallel to each other. Remove the sink.

3. Run a thin bead of silicone sealant along the top edge of the base unit. This is only to help keep the sink in the correct

position while fitting the countertops.

4. Place the sink onto the unit and press down firmly. If there is any discrepancy between the length of the sink and the base unit (due to normal tolerances) make this equal at both ends.



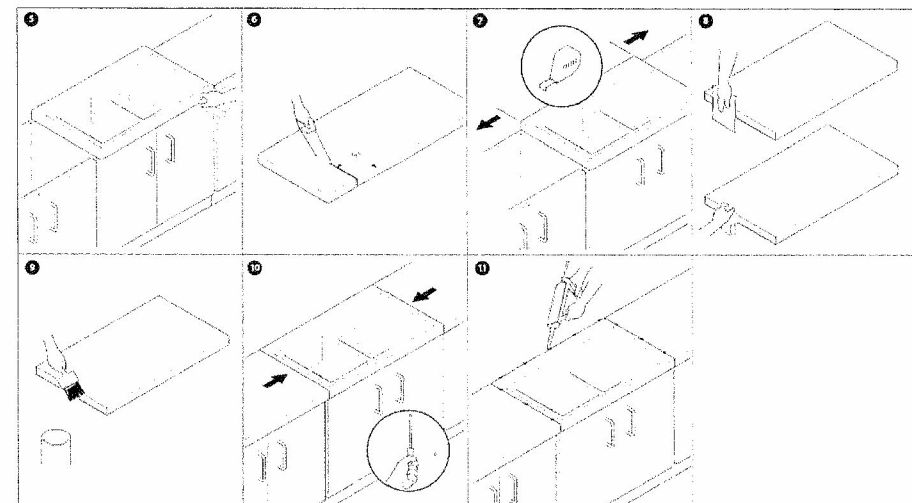
5. Clean off any excess sealant from the area using Methylated Spirit.

Fitting the countertop:

6. Cut the ends of the countertops that will butt up to the sink ensuring that this is done squarely to the front edge.
7. Measure the distance from the end of the sink to the wall / adjoining countertop and carefully cut the countertop to length. Do this for both sides of the sink.

8. Gently sand the edges of the cut only to remove any sharp edges and loose particles.
9. Seal the exposed edges where the countertops have been cut with a suitable water-proof sealant.
10. Put the countertops in place, level off and ensure the front edges of the countertops and the sink all run parallel. Screw them into position.

11. Run a bead of silicone sealant along the joints between the ends of the countertops and sink and also along the back edge that sits against the wall.



TAKING CARE OF YOUR STAINLESS STEEL SINK

Always wipe your sink down with warm soapy water and a cloth to remove everyday stains. In hard water areas, limescale deposits can build up on the sink over a period of time. The limescale can become strongly colored by such foods as coffee and red wine.

To remove limescale we recommend the use of mild acids such as lemon juice or vinegar. If stains become ingrained in the bowls, a 30 minute soak using diluted bleach or diluted biological washing powder (one part cleaning agent to 10 parts water) should remove the marks easily. Rinse the sink with water afterwards.

PLEASE AVOID

Do not pour strong chemicals down your sink such as bleach, ammonia, caustic soda, paint stripper, brush cleaners or sterilizing solutions. If this should occur accidentally, wipe the spill away immediately with a dry cloth, then rinse with plenty of water.

Please avoid the use of plastic wash bowls, as particles of grit that may be impregnated in the bowl could scratch the surface of your sink.

Please do not chop food directly on the surface of your sink. Chopping boards are available for this purpose.

Leaving bleach to soak in sink bowls causes damage to all sinks even Stainless Steel. If bleach should come in contact with your sink, rinse thoroughly with warm soapy water.

Avoid dropping sharp objects into your sink as this may scratch or damage the surface.

IMPORTANT INFORMATION

Due to the handmade nature of fireclay and the production process, the dimensions of the sink may vary by plus/minus 2%. We therefore recommend that the cabinetmaker wait until the sink is delivered before cutting any cabinets or countertops.

The cabinet in which the sink is to be fitted should be reinforced to hold 130-150lbs plus the weight of water.

Due to the weight of this product we recommend two people to move this sink.

All areas around the top of the sink must be sealed; any gaps could originate water damage.

Fireclay sinks are best suited to either wood, granite, tiled or solid surface worksurfaces.

These instructions are only intended as a guide, if there is any doubt then contact a certified kitchen installer.

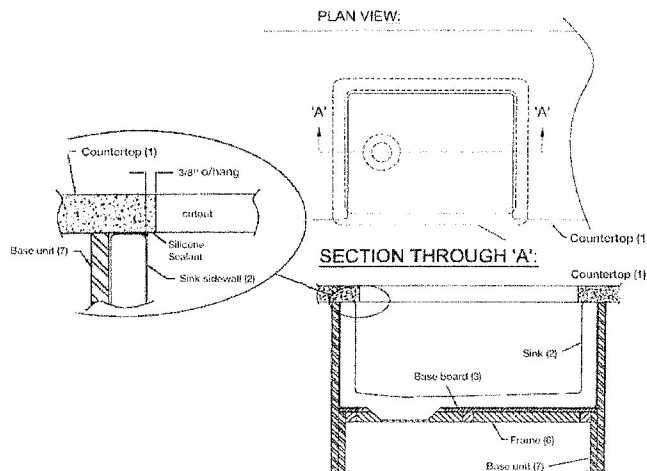
Fitting the sink:

Ensure that suitably sized base units (7) are in place and are level before beginning.

Create a sturdy softwood frame (6) to reinforce the base unit as shown; this should be screwed inside the base unit (7) so the top of the frame is level with the top of the unit. Note: the center brace of the frame should be located so it will not foul the waste of the sink.

Create a base board (3) using plywood or similar material then cut a hole through the board to allow the sink waste to pass through the board.

Screw the base board (3) to the top of the frame (6) and the base unit (7) - any screws should be countersunk so they do not foul the sink and ensure the base is level and flat to accept the sink.



Cut the countertop (1) as shown, the countertop should overhang the sink bowl walls by approximately 10mm/ 3/8", the front edge of the sink should stand slightly forward of the base units and countertop.

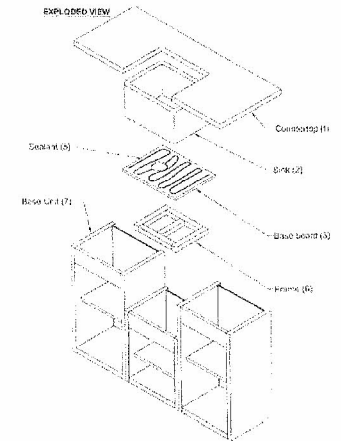
Dry fit the sink, base units and countertop to ensure a good fit before finally fixing the components together, make any adjustments that are necessary at this point.

Apply clear low modulus silicone (5) to the top of the base board (3) as shown; now bed the sink into the silicone.

Clean the sink thoroughly to remove any dirt or grease. Apply sealant around the left, back and right side of the rim of the sink.

Lower the countertop (1) into position on the base units (7) and the sink (2).

Seal the edges between the countertop and the sink with silicone (5).



BEFORE INSTALLATION

1. This sink was produced and packaged by experienced people. Please inspect your sink for any problems prior to installation. If there are problems that prevent installation of the sink, please return it to the merchant from whom the sink was purchased.

2. Determine from your faucet the number of holes that your sink requires in order to accommodate the faucet. Faucets can require 1, 2, 3, 4 or 5 holes. You may have already purchased sink accessories to install on the sink ledge. (Examples are a soap/lotion dispenser, air-gap, purified water dispenser etc.) Add the number of accessory holes required to the number of holes required for faucet installations, to determine the total number of holes to drill into the sink.

Hole drilling to Faucet/Accessory Holes and placement **MUST** be performed prior to installation.

DRILLING FAUCET/ACCESSORY HOLES READ THIS ENTIRE SECTION BEFORE STARTING TO DRILL.

1. Drill holes from the Underside of the sink.

2. Use a 1 3/8" Hole Saw with a pilot bit. (Fig. 1)

(Note: Use carbide/diamond tipped for best results.)

3. Turn the sink upside down being certain to not damage the topside. Make sure the sink ledge is supported by a structurally sound surface. The two pieces of scrap lumber mentioned in the Tools and Materials section can be used to support the sink. (Do not use



Fig. 1
Hole Saw

the countertop as the structurally sound surface to support the sink. Doing so will result in damage to the countertop.

4. Scoring on the underside of the sink is centred on the sink and indicates hole positioning.

5. Drill straight down from the underside of the sink, until the pilot bit pierces through the sink surface. DO allow the hole saw to cut completely through the sink. (Fig. 2)



Fig. 2
Sink
Bottom

6. Repeat instruction step number 5 for each faucet/accessory hole needed.

TAKING CARE OF YOUR GRANITE ROK® SINK

PRODUCT CARE INFORMATION

Please do not use your sink as a chopping board.

Please avoid dropping sharp and heavy objects into the sink as the objects can scratch or damage the surface.

Hot Casserole dishes or saucepans should not be placed in a Astracast Granite sink if over 536° F (280° C).

PRODUCT CLEANING INFORMATION

The first action to maintain the surface and appearance of any Astracast sink is to thoroughly rinse with plenty of water.

Daily cleaning may be done with a non-abrasive cleaner (for example Softscrub (with or without bleach), Bar Keepers Friend, or baking soda). After every use, rinse and wipe the sink dry with a clean soft cloth to eliminate any water spots or soap build-up.

For stains, use any of the previously mentioned cleaners along with a soft

scour pad (for example Scotch-Brite Soft Scour). Rinse well.

For stubborn stains / calcium deposits (a white ring around the bottom of your sink), use Lime Away or a comparable product. If stains become ingrained in the bowls, an overnight soak using diluted bleach (10:1) will help remove stains. Rinse well.

Use of strong chemicals, abrasive powders and steel wool pads will degrade the surface, and make the sink more susceptible to stains. The warranty does not cover damages caused by improper cleaning methods.