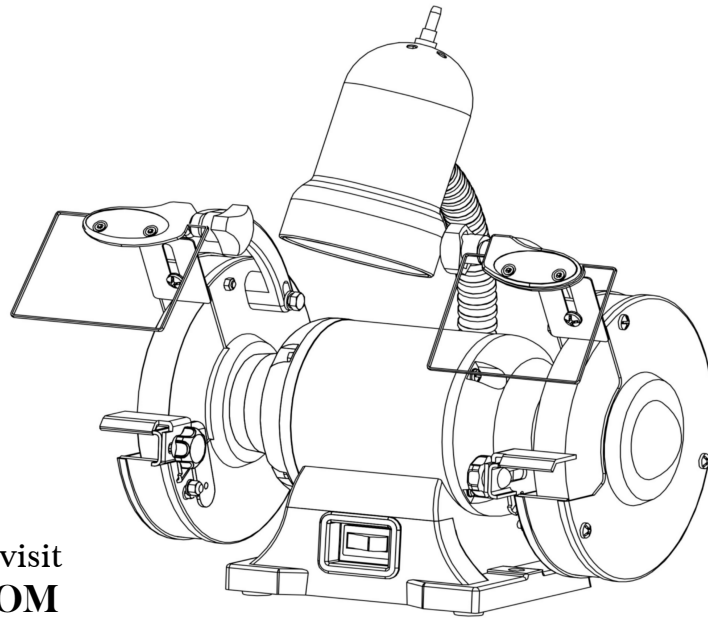




# 6-INCH BENCH GRINDER



For replacement parts visit  
**WENPRODUCTS.COM**

Model # 4276  
[bit.ly/wenvideo](http://bit.ly/wenvideo)

## IMPORTANT:

Your new tool has been engineered and manufactured to WEN's highest standards for dependability, ease of operation, and operator safety. When properly cared for, this product will supply you years of rugged, trouble-free performance. Pay close attention to the rules for safe operation, warnings, and cautions. If you use your tool properly and for intended purpose, you will enjoy years of safe, reliable service.



## NEED HELP? CONTACT US!

Have product questions? Need technical support?  
Please feel free to contact us at:



**800-232-1195** (M-F 8AM-5PM CST)



**techsupport@wenproducts.com**



**WENPRODUCTS.COM**

NOTE: Please refer to [wenproducts.com](http://wenproducts.com) for the most up-to-date instruction manual.

## TABLE OF CONTENTS

---

Technical Data .....	2
General Safety Rules .....	3
Specific Safety Rules For Bench Grinder .....	5
Electrical Information .....	7
Know Your Bench Grinder .....	8
Assembly .....	9
Operation .....	10
Maintenance.....	11
Exploded View and Parts List .....	12
Warranty .....	14

## TECHNICAL DATA

---

Model Number:	4276
Motor:	120V, 60Hz, 2.1A
Speed:	3450 RPM (no load)
Wheel Size:	6 x 3/4 inch
Arbor Size:	1/2 inch
Wheel Grits:	#36 (Coarse)/ #60 (Medium)
Lamp:	120V, 40W (Bulb not included)
Weight:	16 lbs.

Compatible with the WEN 4288 Cast Iron Bench Grinder Stand

# GENERAL SAFETY RULES

---

Safety is a combination of common sense, staying alert and knowing how your item works.

## SAVE THESE SAFETY INSTRUCTIONS.



**WARNING:** Read all safety warnings and all instructions. Failure to follow the warnings and instructions may result in electric shock, fire and serious injury. To avoid mistakes and serious injury, do not plug in your tool until the following steps have been read and understood.

### WORK AREA SAFETY

1. Keep work area clean and well lit. Cluttered or dark areas invite accidents. Do not work on floor surfaces that are slippery with sawdust or wax. Keep the ground clear of tripping hazards.
2. Do not operate power tools in explosive atmospheres, such as in the presence of flammable liquids, gases or dust. Power tools create sparks which may ignite the dust or fumes.
3. Keep bystanders at a safe distance from the work area. Never allow children or pets near the tool.

### ELECTRICAL SAFETY

1. Do not expose power tools to rain or wet conditions. Water entering a power tool will increase the risk of electric shock.
2. Power tool plugs must match the outlet. Never modify the plug in any way. Modified plugs with non-matching outlets will increase the risk of electric shock.
3. Check all power supplies periodically. Do not use defective cords. Damaged or entangled cords increase the risk of electric shock. Never use the cord for carrying, pulling or unplugging the power tool. Keep cord away from heat, oil, sharp edges, or moving parts.

### PERSONAL SAFETY

1. Stay alert. Watch what you are doing and use common sense when operating a power tool. Do not use a power tool while you are tired or under the influence of drugs, alcohol, or medication. A moment of inattention while operating power tools may result in serious personal injury.
2. Do not wear loose clothing, gloves, neckties, or jewelry (rings, watches, etc.) when operating the tool. Inappropriate clothing and items can get caught in moving parts and draw you in. Always wear non-slip footwear and tie back long hair.
3. Use personal protective equipment. Always wear safety goggles at all times that comply with ANSI Z87.1. Use ear protection such as plugs or muffs during extended periods of operation. Wear work gloves to protect your hands. Wear a face mask or dust mask to fight the dust.
4. Keep proper footing and balance at all times and do not overreach when operating the power tool.



**WARNING:** Dust generated from certain materials can be hazardous to your health. Always operate the tool in a well-ventilated area and wear a dust mask. Use dust collection systems when processing wood and plastics. Dust extractors or dust bags must not be connected when processing metals.

# GENERAL SAFETY RULES

---

## **POWER TOOL USE AND CARE**

1. Avoid accidental start-ups. Make sure the power switch is in the OFF position before connecting the plug to a power source or carrying the tool.
2. Check power tool for damaged parts. Check for misalignment of moving parts, jamming, breakage, improper mounting, or any other conditions that may affect the tool's operation. Do not use the power tool if the switch does not turn ON/OFF. Any part that is damaged should be properly repaired or replaced before use.
3. Do not force the tool to do a job for which it was not designed. Use the correct power tool and accessories and follow the instructions for your application to prevent hazardous situations.
4. Remove adjustment tools. Always make sure all adjustment tools or wrenches are removed from the tool before turning on the power tool.
5. Keep guards in place and in working order before operating the tool. All protection and safety devices must be in place after completing repair and maintenance procedures.
6. Never leave a running tool unattended. Do not leave the tool until it has come to a complete stop.

## **POWER TOOL MAINTENANCE**

1. Always disconnect the power cord plug from the electrical outlet when making adjustments, changing parts, or storing power tools. Such preventive safety measures reduce the risk of starting the power tool accidentally.
2. Maintain power tools properly. Safely store power tools out of the reach of children. Always keep tools clean and in good working order. Follow instructions for lubricating and changing accessories.
3. Only have your power tool serviced by a qualified repair person using only identical replacement parts. Use of any other part can cause personal injury and damage to the tool.

## **CALIFORNIA PROPOSITION 65 WARNING**

This product and some dust created by power sanding, sawing, grinding, drilling, and other construction activities may contain chemicals, including lead, known to the State of California to cause cancer, birth defects, or other reproductive harm. Wash hands after handling.

Some examples of these chemicals are:

- Lead from lead-based paints.
- Crystalline silica from bricks, cement, and other masonry products.
- Arsenic and chromium from chemically treated lumber.

Your risk from these exposures varies depending on how often you do this type of work. To reduce your exposure to these chemicals, work in a well-ventilated area with approved safety equipment such as dust masks specially designed to filter out microscopic particles.

## SPECIFIC RULES FOR BENCH GRINDERS



**WARNING:** Do not plug in or operate this tool until the entire manual has been read and understood. Failure to do so may result in personal injury or machine damage.

1. Use only the correct grinding wheels that meet the following requirements:
  - The speed rating of the wheel is greater than 3450 RPM.
  - The wheel complies with ANSI B7.1.
  - The size of the wheel is 6 inches in diameter and 3/4 inch thick with a 1/2-inch arbor. Do not use wheels with incorrect arbor size.
2. Always inspect grinding wheels prior to use for cracks or missing pieces. If imperfections are present, replace wheel immediately before use. Never use wheel washers or screws that are defective or incorrect.
3. Thoroughly inspect the grinder. Do not use the bench grinder if the flange nut or arbor hex nut is missing or if the spindle shaft is bent. Use only flanges furnished with this bench grinder.
4. Never touch a grinding wheel or other moving parts during operation or immediately after use. It takes approximately 3 minutes for the wheels to come to a stop after the tool is switched off.
5. Do not overtighten the wheel nut. Do not use an impact wrench to make adjustments to the grinding wheel nuts, as it could cause damage to the wheel, which could cause severe injury.
6. Risk of injury due to accidental starting. Do not use in an area where children may be present.
7. Always secure the bench grinder by bolting it down to its supporting surface to prevent the grinder from tipping over, sliding, or walking during operation.
8. Do not remove the wheel guard, unless changing a grinding wheel. Ensure the cover is replaced before using the grinder. Always use the guards, spark deflectors and eye shields during operation.
9. Check the ON/OFF switch of your tool. Do not use tool if switch does not turn it on and off. Have defective switches replaced by an authorized service center.
10. Stand beside the bench grinder during start-up, not directly in front. Never stand or have any part of your body in line with the path of the wheel.
11. Never start the grinder when the wheel is in contact with the workpiece.
12. Always hold the workpiece firmly against the work rest.
13. Always ease the workpiece against the abrasive wheel when starting to grind. A harsh impact can break the wheel. Use light pressure when starting to grind. Too much pressure on a cold wheel can cause the wheel to crack.
14. Do not use the grinding wheel to cut anything.
15. Do not apply excess stress to the grinding wheel. Excessive pressure may damage the tool, cause the motor to overheat, and prematurely wear down the grinding wheel.

## SPECIFIC RULES FOR THE BENCH GRINDER

16. New wheels may require dressing to make them round. Use a grinding wheel dressing tool (not included) to shape or remove glaze from grinding wheels.
17. Keep the distance between the wheel and tool rest at most a 1/8-inch (3.2 mm) space. Adjust the work rest accordingly as the wheel grinds down to a smaller diameter with use over time.
18. Guard against electrical shock by preventing body contact with grounded surfaces. For example: pipes, radiators, ranges, refrigerator enclosure, etc.
19. Never reach to pick up a workpiece, a piece of scrap, or anything else that is in or near the grinding path of the wheel.
20. Avoid awkward operations and hand positions where a sudden slip could cause your hand to move into the wheel. Always make sure you have good balance.
21. Do not turn the switch on and off rapidly. This could cause the wheel to loosen and create a hazard. Should this ever occur, stand clear and allow the wheel to come to a complete stop. Disconnect your grinder from the power supply and retighten the wheel nut securely.
22. Frequently clean grinding dust from beneath the grinder.
23. If any part of this grinder is missing, broken, bent, or damaged in any way, or if any electrical component fails to perform properly, shut off the power switch, remove the machine plug from the power source and have the damaged, missing, or failed parts replaced before operation.

# ELECTRICAL INFORMATION

## GROUNDING INSTRUCTIONS

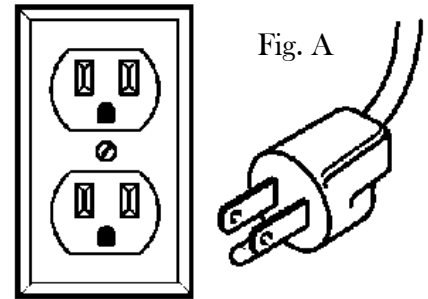
IN THE EVENT OF A MALFUNCTION OR BREAKDOWN, grounding provides the path of least resistance for an electric current and reduces the risk of electric shock. This tool is equipped with an electric cord that has an equipment grounding conductor and a grounding plug. The plug **MUST** be plugged into a matching outlet that is properly installed and grounded in accordance with ALL local codes and ordinances.

**DO NOT MODIFY THE PLUG PROVIDED.** If it will not fit the outlet, have the proper outlet installed by a licensed electrician.

**IMPROPER CONNECTION** of the equipment grounding conductor can result in electric shock. The conductor with the green insulation (with or without yellow stripes) is the equipment grounding conductor. If repair or replacement of the electric cord or plug is necessary, **DO NOT** connect the equipment grounding conductor to a live terminal.

**CHECK** with a licensed electrician or service personnel if you do not completely understand the grounding instructions or whether the tool is properly grounded.

**USE ONLY THREE-WIRE EXTENSION CORDS** that have three-pronged plugs and outlets that accept the tool's plug as shown in Fig. A. Repair or replace a damaged or worn cord immediately.



**CAUTION:** In all cases, make certain the outlet in question is properly grounded. If you are not sure, have a licensed electrician check the outlet.



**WARNING:** This tool is for indoor use only. Do not expose to rain or use in damp locations.

## EXTENSION CORD GUIDELINES

Make sure your extension cord is in good condition. When using an extension cord, be sure to use one heavy enough to carry the current your product will draw. An undersized cord will cause a drop in line voltage resulting in loss of power and overheating. The table below shows the correct size to be used according to cord length and nameplate ampere rating. When in doubt, use a heavier cord. The smaller the gauge number, the heavier the cord.

Make sure your extension cord is properly wired and in good condition. Always replace a damaged extension cord or have it repaired by a qualified person before using it.

Protect your extension cords from sharp objects, excessive heat and damp/wet areas.

Use a separate electrical circuit for your tools. This circuit must not be less than a #12 wire and should be protected with a 15 A time-delayed fuse. Before connecting the motor to the power line, make sure the switch is in the OFF position and the electric current is rated the same as the current stamped on the motor nameplate. Running at a lower voltage will damage the motor.

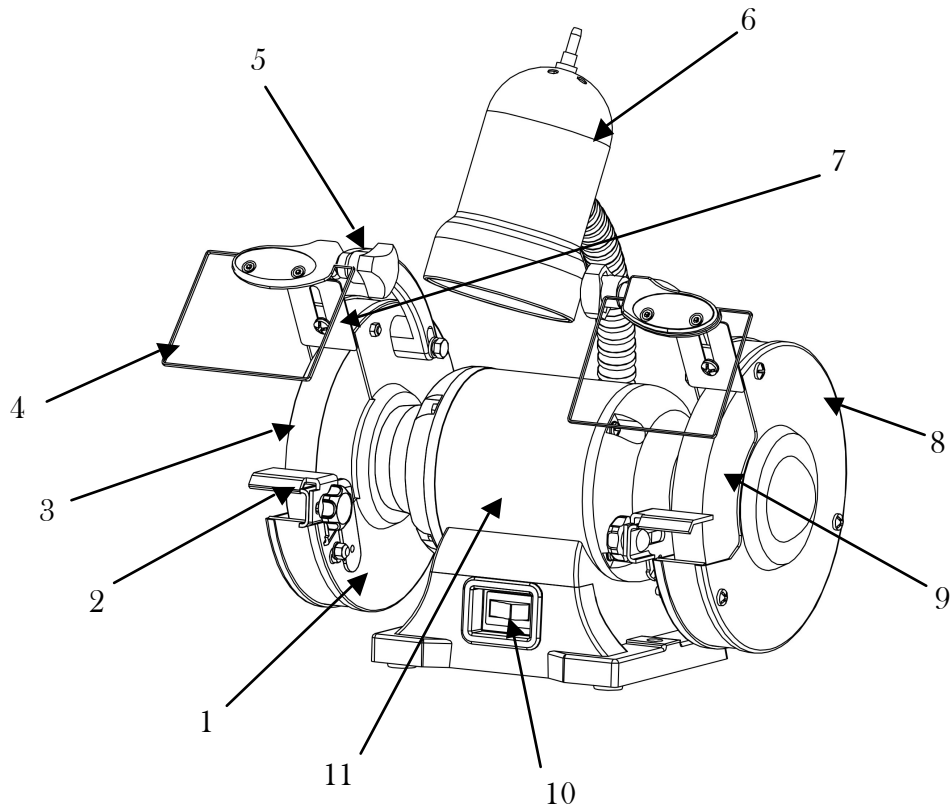


**WARNING:** This tool must be grounded while in use to protect the operator from electric shock.

AMPERAGE	REQUIRED GAUGE FOR EXTENSION CORDS			
	25 ft.	50 ft.	100 ft.	150 ft.
2.1 A	18 gauge	16 gauge	16 gauge	14 gauge

# KNOW YOUR BENCH GRINDER

---



1. **INNER WHEEL GUARD** - Covers the grinding wheels and protects against accidental contact

2. **TOOL RESTS**-Used to support the workpiece. Adjustable to provide angled surfaces.

3. **36-GRIT GRINDING WHEEL** - Used to remove heavy material from the workpiece

4. **EYESHIELD** - Protective see-through shields to prevent any loose debris from contacting the operator

5. **LOCKING KNOB** - Lock the eyeshield in position

6. **FLEXIBLE WORK LIGHT** - Provides light to the operator during grinding operations

7. **SPARK DEFLECTOR** - Prevents hot sparks and debris from contacting the operator

8. **WHEEL COVER** - Covers the grinding wheels and provides quick access for routine maintenance

9. **60-GRIT GRINDING WHEEL** - Used to remove light material from the workpiece

10. **ON/OFF SWITCH** - Used to turn ON and turn OFF the bench grinder

11. **MOTOR HOUSING** - Contains the electrical motor

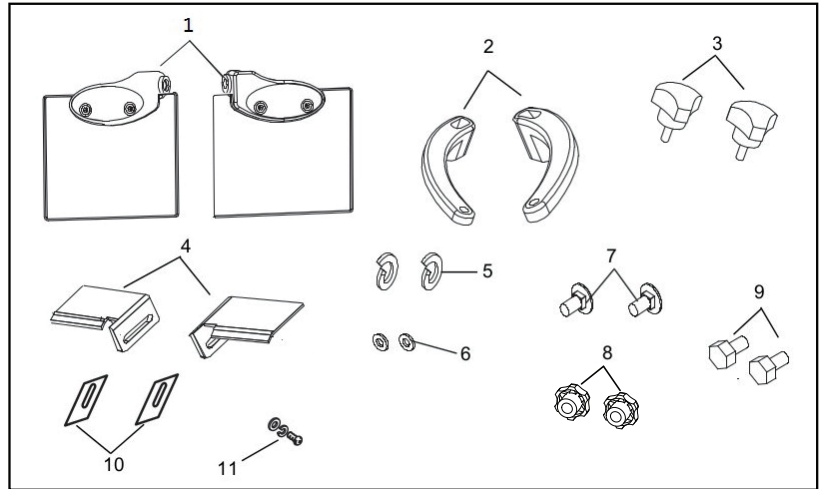


# ASSEMBLY

Carefully remove the tool and any accessories from the box. Make sure that all items listed in the packing list are included. If any part is damaged or missing, please contact our customer service at (800) 232-1195, M-F 8-5 CST. All of the parts for assembly should be accounted for before beginning the assembly.

## PACKING LIST

1. Eye Shield Assembly (2)
2. Eye Shield Arm (2)
3. Locking Knob M5 (2)
4. Tool Rest (2)
5. Lock Washer 6 (2)
6. Flat Washer 6 (2)
7. Carriage Head Screw M6x14 (2)
8. Tool Rest Knob M6 (2)
9. Hex Head Bolt M6x30 (2)
10. Spark Deflector (2)
11. Screw, Flat Washer, Spring Washer Kit (2)



**WARNING:** To avoid injury from unexpected starting or electrical shock, do not plug the power cord into a source of power during unpacking and assembly. This cord must remain unplugged whenever you are adjusting/assembling the grinder.

## TOOL REST ASSEMBLY

1. Place the left tool rest (Fig. 1 - 1) over the tool rest bracket (Fig. 1 - 2).
2. Align the left tool rest with the hole on the bracket and slide the carriage head screw through from the left side.
3. Screw the tool rest knob into place (Fig. 1 - 3)
4. Adjust the tool rest within 1/16 in. of the grinding wheel. To adjust this distance, loosen the knob and move the tool rest.
5. Assemble the right tool rest in a similar manner.

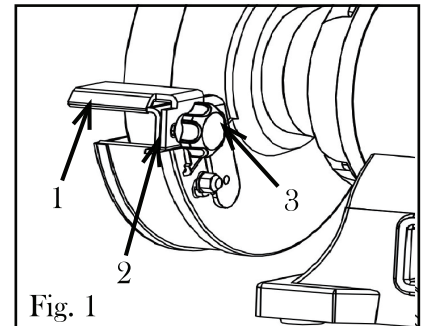


Fig. 1

## SPARK DEFLECTOR AND EYESHIELD ASSEMBLY

1. Place the spark deflector against the right wheel guard and secure into place using a screw (Fig. 2 - 1). Adjust the spark deflector within 1/16" (0.0625") of the right grinding wheel and tighten the screw.
2. Attach right shield arm to the right wheel guard using bolt, spring washer and flat washer and secure into place (Fig. 2 - 2).
3. Attach the right eye shield to the right shield arm and tighten the locking knob into place (Fig. 3).
4. Attach spark deflector and eye shield to the left guard in a similar manner.

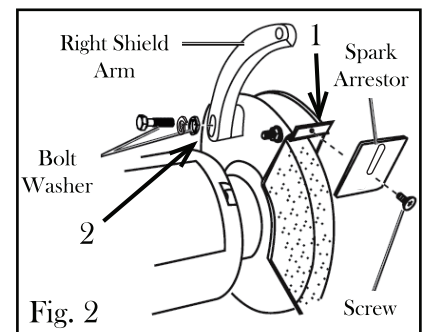


Fig. 2

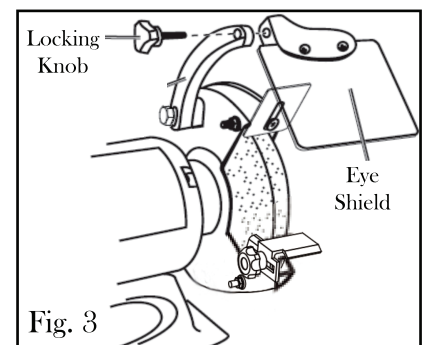


Fig. 3

# ASSEMBLY

---

## WORK LIGHT

The bench grinder is provided with a flexible work light to assist in visibility of the workpiece. The bench grinder is NOT provided with a light bulb for the flexible work light. To reduce the risk of fire, use a 120V 40W (or less) track light bulb, type R20, medium base or equivalent (not included). DO NOT use a light bulb that extends past the end of the light housing.

**CAUTION:** The flexible work light housing will remain hot for a few minutes after turning it OFF. Avoid contact with housing until it cools.

## MOUNTING TO THE WORK SURFACE

The bench grinder should be firmly attached to a reliable work surface using mounting hardware (not included) through the base of the grinder's mounting holes. This will prevent the bench grinder from vibration, walking or tipping during operation.

**NOTE:** This bench grinder is compatible with the WEN 4288 Cast Iron Bench Grinder Pedestal Stand.

1. Prepare 1/4 in. bolts, flat washers, lock washers and hex nuts (not included). The bolt length should be 1-1/2 in. longer than the thickness of the workbench.
2. Locate and mark the holes where the grinder is to be mounted onto the work surface.

**NOTE:** If mounting to a work bench, drill four 3/8 in. diameter holes through the workbench.

3. Place the bench grinder onto the workbench, aligning holes in base with holes in the workbench.
4. Insert four 1/4 in. diameter bolts and washers and attach with nuts securely.



**WARNING:** Always make sure your bench grinder is securely mounted to a workbench. Failure to do so could result in an accident resulting in possible serious personal injury.

# OPERATION

---

**CAUTION:** Keep all bystanders a safe distance away from the tool

## BASIC OPERATION

1. Your bench grinder has a medium wheel (60 grit) for medium material removal and general purpose grinding, and a coarse wheel (36 grit) for fast material removal.
2. To operate the bench grinder, always wear safety glasses and turn the tool on while standing at the side and not in front of the grinder. Allow it to reach full speed before grinding.
3. Hold the work piece firmly against the tool rest. Hold very small pieces with pliers or other suitable clamps.
4. Feed the work piece smoothly and evenly into the grinding wheel.
5. Move the work piece slowly and avoid jamming the work piece against the wheel. If the wheel tends to slow down from excessive force, you should occasionally release the pressure to let the wheel return to full speed.
6. Grind only on the face of the grinding wheel and never the side of it.

## OPERATION

---

**CAUTION:** Prolonged grinding will cause most materials to become hot. Use care when handling such materials.

### **SHARPENING SCISSORS**

If possible, take the scissors apart to make the sharpening operation easier and safer. Remove material only from the outside surface and work from the heavy end of the blade toward the tip.

### **SHARPENING KNIVES**

Remove metal from both faces of most knives, working from the heavy end of the blade toward the tip.

### **SHARPENING SCREWDRIVERS**

The end of a properly sharpened screwdriver will be a perfect rectangle, absolutely flat and perpendicular to the center line of the shank. The two sides and two faces will taper outward from the edge of the shoulder or shank. They should be flat with intersecting faces perpendicular. Hold each face of the screwdriver against the wheel to true it up, and then ease the end straight into the stone to grind it true.

### **LAWN MOWER BLADES**

Lawn mower blades are usually sharpened on only one side and dressed up slightly on the other. After sharpening, be sure to balance the blade by removing additional material from the heavy end. There are a number of inexpensive cone balancers on the market for this purpose. Unbalanced blades can cause serious crank shaft damage to your lawn mower. Always remove spark plug wires from the mower before servicing the blades to prevent accidental starting.

## MAINTENANCE

---



**WARNING:** For your own safety, turn the switch OFF and remove the plug from the electrical outlet before adjusting or performing maintenance or lubrication work on the grinder.

Before using, check to make sure parts are not damaged, missing, or worn. Check for alignment of moving parts, binding of moving parts, improper mounting, or any other conditions that may affect the grinder's operation. If any of these conditions exist, do not use until parts are replaced or the grinder is properly repaired. Frequently blow or vacuum dust from all surfaces and the motor housing.



**WARNING:** Any attempt to repair or replace electrical parts on this tool may be hazardous. Repairs should be done by a qualified service technician only.

### **GENERAL CLEANING AND MAINTENANCE**

1. Regularly check the tool and use a soft brush to remove accumulated dust. Wear safety goggles to protect your eyes while cleaning.
2. If the body of the grinder needs cleaning, wipe it down with a soft damp cloth. A mild detergent can be used. Do not use alcohol, petrol, or other similar cleaning agents. Do not make contact with the grinding wheels with any damp cloth.
3. Always make sure the eye shields are transparent and not blocking the view of the grinding wheel.
4. In normal use, grinding wheels may become cracked, grooved, rounded at the edges, chipped, out of alignment or loaded with foreign material. Cracked wheels should be replaced **IMMEDIATELY**. While any of the other conditions can be remedied, new wheels sometimes require dressing to make them round.

## MAINTENANCE

---

5. If you must replace a wheel be sure to obtain one with a safe rated speed at least as high as the “NO LOAD” RPM marked on your grinder’s nameplate. Replacement wheels must have a 6 inch diameter, a matching arbor size and should be a maximum of 3/4 inch wide. Always check new wheels for cracks. Be sure the tool is unplugged before attempting repairs and maintenance.

**CAUTION:** Never use caustic agents to clean the plastic parts of the tool. Water must never come into contact with the grinder. The use of any other accessories is not recommended and may result in serious injury.

### POWER CORD REPLACEMENT

If replacement of the power supply cord is necessary, this must be done by an authorized service center in order to avoid a safety hazard.

### STORAGE

Store the bench grinder and the grinding wheels to prevent them from the potential hazards of moisture, containments, and other damage.

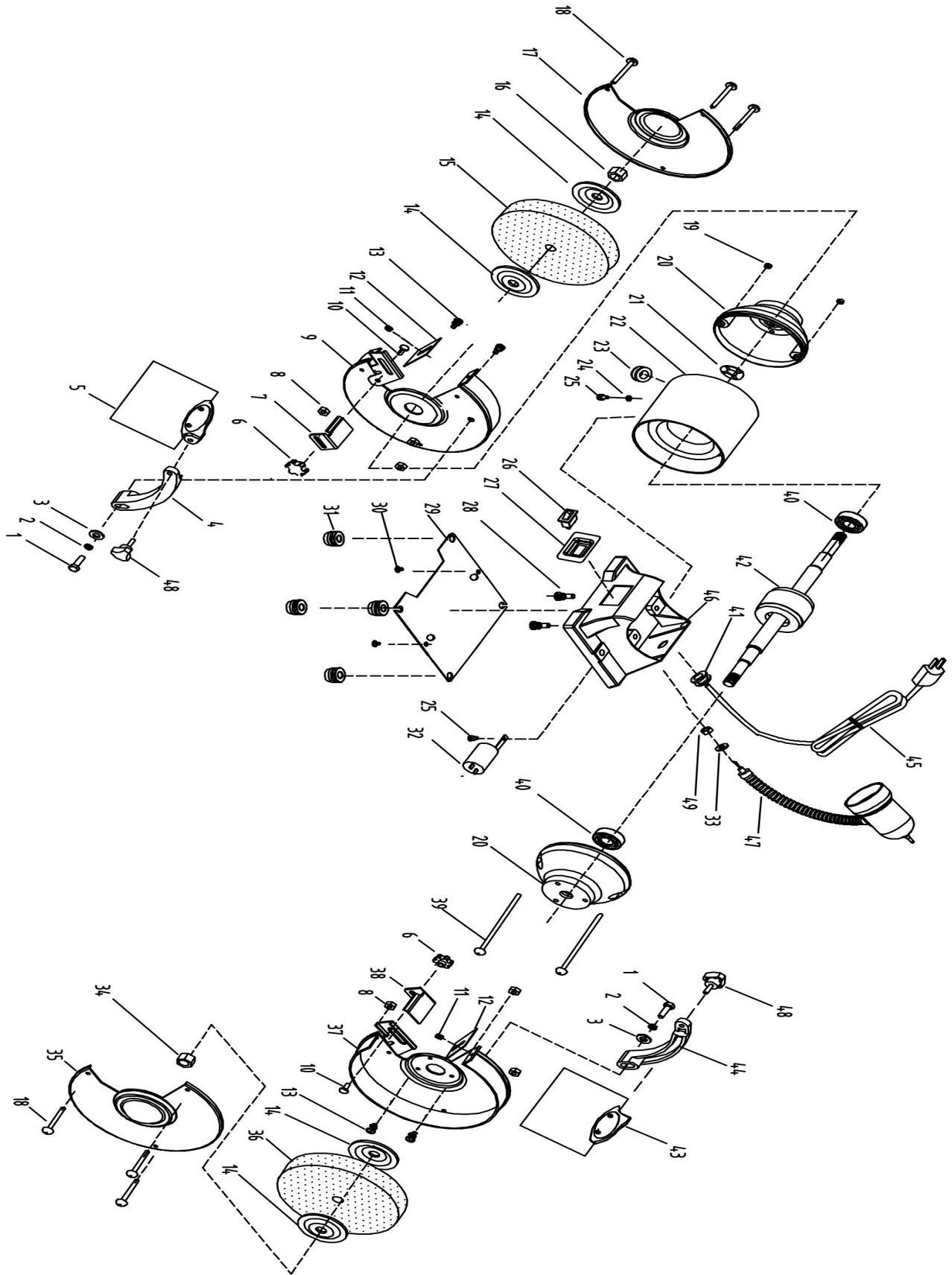
## EXPLODED VIEW AND PARTS LIST

---

No.	Part No.	Description
1	4276-001	Bolt
2	4276-002	Spring Washer
3	4276-003	Flat Washer
4	4276-004	Left Eyeshield Bracket
5	4276-005	Left Eyeshield
6	4276-006	Tool Rest Lock Knob
7	4276-007	Left Tool Rest
8	4276-008	Nut
9	4276-009	Left Guard
10	4276-010	Carriage Bolt
11	4276-011	Fastener Assembly
12	4276-012	Spark Deflector
13	4276-013	Fastener Assembly
14	4276-014	Flange
15	4276-015	Grinding Wheel
16	4276-016	Hex Nut
17	4276-017	Left Guard Cover
18	4276-018	Screw
19	4276-019	Hex Nut
20	4276-020	End Cap
21	4276-021	Washer
22	4276-022	Stator
23	4276-023	Cord Brushing
24	4276-024	Washer
25	4276-025	Fastener Assembly

No.	Part No.	Description
26	4276-026	Switch
27	4276-027	Switch Plate
28	4276-028	Fastener Assembly
29	4276-029	Bottom Plate
30	4276-030	Fastener Assembly
31	4276-031	Rubber Foot
32	4276-032	Capacitor
33	4276-033	Flat Washer
34	4276-034	Hex Nut
35	4276-035	Right Guard Cover
36	4276-036	Grinding Wheel
37	4276-037	Right Guard
38	4276-038	Right Tool Rest
39	4276-039	Fastener Assembly
40	4276-040	Bearing
41	4276-041	Cord Clip
42	4276-042	Rotor
43	4276-043	Right Eyeshield
44	4276-044	Right Eyeshield Bracket
45	4276-045	Power Cord
46	4276-046	Base
47	4276-047	Lamp
48	4276-048	Eyeshield Knob
49	4276-049	Locking Knob

# EXPLODED VIEW AND PARTS LIST



## **LIMITED TWO YEAR WARRANTY**

---

WEN Products is committed to building tools that are dependable for years. Our warranties are consistent with this commitment and our dedication to quality.

### **LIMITED WARRANTY OF WEN CONSUMER POWER TOOLS PRODUCTS FOR HOME USE**

GREAT LAKES TECHNOLOGIES, LLC (“Seller”) warrants to the original purchaser only, that all WEN consumer power tools will be free from defects in material or workmanship for a period of two (2) years from date of purchase. Ninety days for all WEN products, if the tool is used for professional use.

**SELLER’S SOLE OBLIGATION AND YOUR EXCLUSIVE REMEDY** under this Limited Warranty and, to the extent permitted by law, any warranty or condition implied by law, shall be the repair or replacement of parts, without charge, which are defective in material or workmanship and which have not been misused, carelessly handled, or misrepaired by persons other than Seller or Authorized Service Center. To make a claim under this Limited Warranty, you must make sure to keep a copy of your proof of purchase that clearly defines the Date of Purchase (month and year) and the Place of Purchase. Place of purchase must be a direct vendor of Great Lakes Technologies, LLC. Third party vendors such as garage sales, pawn shops, resale shops, or any other secondhand merchant void the warranty included with this product. Contact [techsupport@wenproducts.com](mailto:techsupport@wenproducts.com) or 1-800-232-1195 to make arrangements for repairs and transportation.

When returning a product for warranty service, the shipping charges must be prepaid by the purchaser. The product must be shipped in its original container (or an equivalent), properly packed to withstand the hazards of shipment. The product must be fully insured with a copy of the warranty card and/or the proof of purchase enclosed. There must also be a description of the problem in order to help our repairs department diagnose and fix the issue. Repairs will be made and the product will be returned and shipped back to the purchaser at no charge.

**THIS LIMITED WARRANTY DOES NOT APPLY TO ACCESSORY ITEMS THAT WEAR OUT FROM REGULAR USAGE OVER TIME INCLUDING BELTS, BRUSHES, BLADES, ETC.**

**ANY IMPLIED WARRANTIES SHALL BE LIMITED IN DURATION TO TWO (2) YEARS FROM DATE OF PURCHASE. SOME STATES IN THE U.S., SOME CANADIAN PROVINCES DO NOT ALLOW LIMITATIONS ON HOW LONG AN IMPLIED WARRANTY LASTS, SO THE ABOVE LIMITATION MAY NOT APPLY TO YOU.**

**IN NO EVENT SHALL SELLER BE LIABLE FOR ANY INCIDENTAL OR CONSEQUENTIAL DAMAGES (INCLUDING BUT NOT LIMITED TO LIABILITY FOR LOSS OF PROFITS) ARISING FROM THE SALE OR USE OF THIS PRODUCT. SOME STATES IN THE U.S. AND SOME CANADIAN PROVINCES DO NOT ALLOW THE EXCLUSION OR LIMITATION OF INCIDENTAL OR CONSEQUENTIAL DAMAGES, SO THE ABOVE LIMITATION OR EXCLUSION MAY NOT APPLY TO YOU.**

**THIS LIMITED WARRANTY GIVES YOU SPECIFIC LEGAL RIGHTS, AND YOU MAY ALSO HAVE OTHER RIGHTS WHICH VARY FROM STATE TO STATE IN THE U.S., PROVINCE TO PROVINCE IN CANADA AND FROM COUNTRY TO COUNTRY.**

**THIS LIMITED WARRANTY APPLIES ONLY TO PORTABLE ELECTRIC TOOLS, BENCH POWER TOOLS, OUTDOOR POWER EQUIPMENT AND PNEUMATIC TOOLS SOLD WITHIN THE UNITED STATES OF AMERICA, CANADA AND THE COMMONWEALTH OF PUERTO RICO. FOR WARRANTY COVERAGE WITHIN OTHER COUNTRIES, CONTACT THE WEN CUSTOMER SUPPORT LINE.**