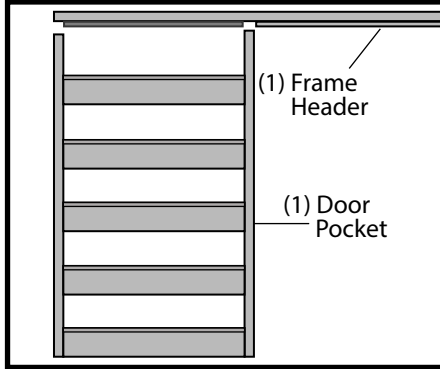
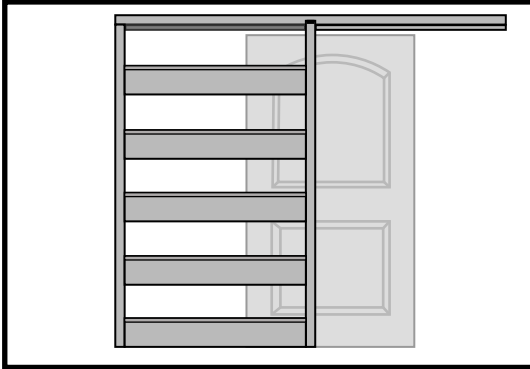


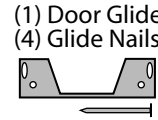
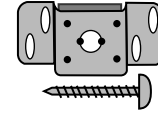


SINGLE POCKET DOOR FRAME

INSTALLATION GUIDE

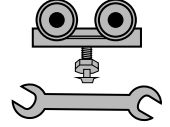


- (2) Mounting Brackets
- (8) Mounting Screws



Parts List

- (2) Door Rollers
- (1) Adjustment Wrench

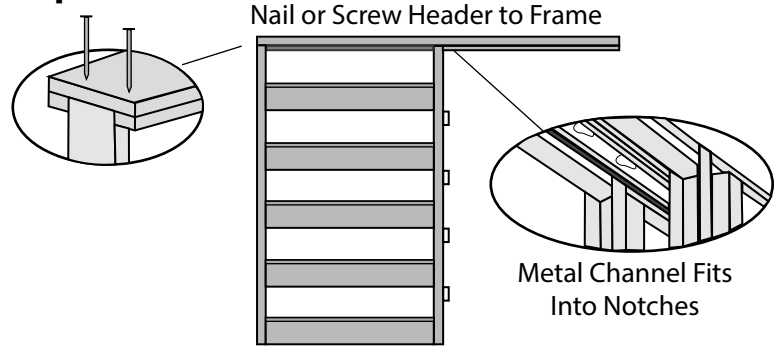


Determine Rough Opening Sizes

Door Size		Rough Opening	
W	H	W	H
24"	X 80"	50 1/2"	X 84 1/2"
28"	X 80"	58 1/2"	X 84 1/2"
30"	X 80"	62 1/2"	X 84 1/2"
32"	X 80"	66 1/2"	X 84 1/2"
36"	X 80"	74 1/2"	X 84 1/2"

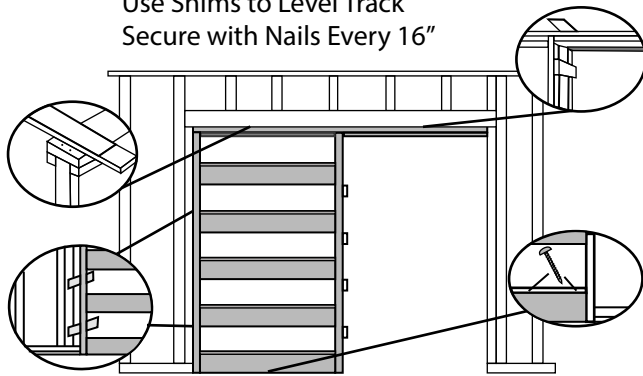
Pocket Door Kit For Use With Doors Up To 150 LBS. Door and Finish Hardware Sold Separately.

Step 1



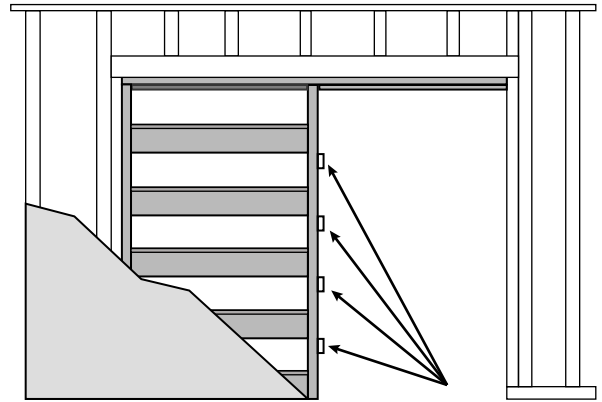
Step 2

Use Shims to Level Track
Secure with Nails Every 16"



Use Shims To Square And Plumb Frame Secure With Nails Every 16". Secure Bottom of Frame with Screws

Step 3

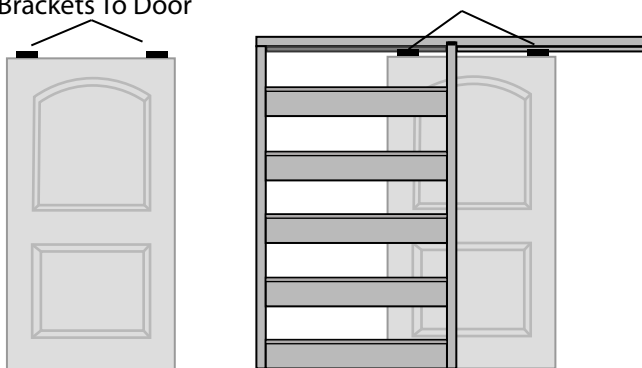


Install Drywall Then Remove Wood Spacers

Step 4

Install Mounting Brackets To Door

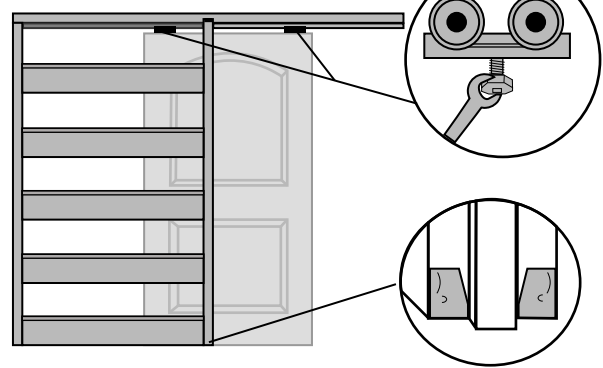
Insert Rollers Into Track
And Install Door



See Additional Instructions In Hardware Package

Step 5

Adjust Door To Fit Opening



Attach Door Glide to Edge of Frame