



Item # 1000 009 070
Model # HD7024A

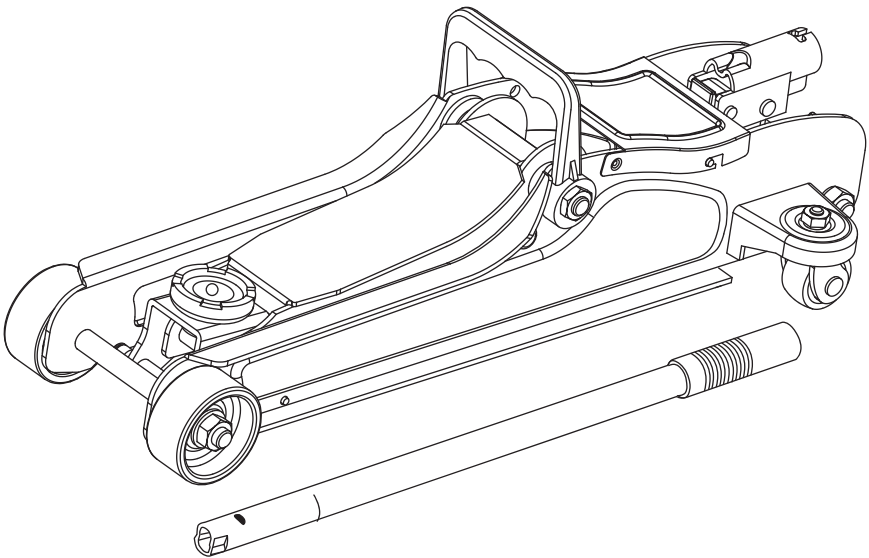
USE AND CARE GUIDE

2-1/2 TON QUICK CONTACT LOW PROFILE JACK

Questions, problems, missing parts?
Before returning to the store, call
Husky Customer Service
8 a.m.-6 p.m., EST, Monday-Friday

1-888-HD-HUSKY

WWW.HUSKYTOOLS.COM



THANK YOU

We appreciate the trust and confidence you have placed in Husky through the purchase of this SUV Jack. We strive to continually create quality products designed to enhance your home. Visit us online to see our full line of products available for your home improvement needs. Thank you for choosing Husky!

Table of Contents

Safety Information	2	Care and Cleaning	6
Warranty	3	Inspection.....	6
Specifications.....	3	Maintenance	6
Package Contents	4	To add hydraulic jack oil	6
Operation	5	To replace hydraulic jack oil.....	7
How it works	5	Lubrication	7
To attach the handle.....	5	Storing.....	8
To raise and lower the vehicle.....	5	Rust prevention	8
		Troubleshooting	8

Safety Information

SAVE THESE INSTRUCTIONS

READ ALL INSTRUCTIONS

1. Study, understand and follow all instructions before operating this device prior to use.
2. Do not overload this jack beyond the rated capacity.
3. This jack is designed for use only on hard level surfaces capable of sustaining the load. Use on other than hard level surfaces can result in jack instability and possible loss of load.
4. This is a lifting device only. Immediately after lifting, support the vehicle with jack stands.
5. Inspect jack prior to each use. Do not attempt use if the unit is broken, bent, cracked, or has missing and/or damaged parts. Replace broken, bent, cracked, missing and/or damaged parts, and/or missing labels, warnings and/or decals with factory authorized parts prior to use.



DANGER: Because of the potential hazards associated with the misuse of equipment of this type, no alterations shall be made to the product without written authorization of the manufacturer or supplier.



WARNING: Do not get under or allow anyone under the vehicle until it has been supported by jack stands.



WARNING: This jack is a lifting device only. It is not a support device. NEVER place yourself under or near a raised vehicle supported by a jack. Immediately after lifting, support vehicle with jack stands or other appropriate means.



WARNING: For your safety and to prevent injury use service jack for lifting purposes only.



CAUTION: Do not move or dolly the vehicle while on the jack.



CAUTION: Any jack that appears to be damaged or has worn parts should be removed from service immediately.



IMPORTANT: Lift only on areas of the vehicle as specified by the vehicle manufacturer. Use vehicle manufacturers instructions on proper lifting.



NOTE: Center load on saddle prior to lifting.



NOTE: Use of SUV jack on sea vessels is prohibited.



NOTE: Failure to heed these warnings may result in personal injury and/or property damage.



NOTE: Some vehicles require an adapter to properly engage the frame for lifting.

Warranty

The manufacturer warrants the products to be free from defects in materials and workmanship for a period of one (1) year from the date of purchase. This warranty applies only to the original consumer purchaser and only to products used in normal use and service. If this product is found to be defective, the manufacturer's only obligation, and your exclusive remedy is the repair or replacement of the product at the manufacturer's discretion provided that the product has not been damaged through misuse, abuse, accident, modifications, alteration, neglect or mishandling. This warranty shall not apply to any product as a result of an accident, misuse, abuse, negligence, alteration, faulty installation, or any other failure not relating to faulty material or workmanship. This warranty shall not apply to the finish on any portion of the products such as surface and/or weathering, as this is considered normal wear and tear.

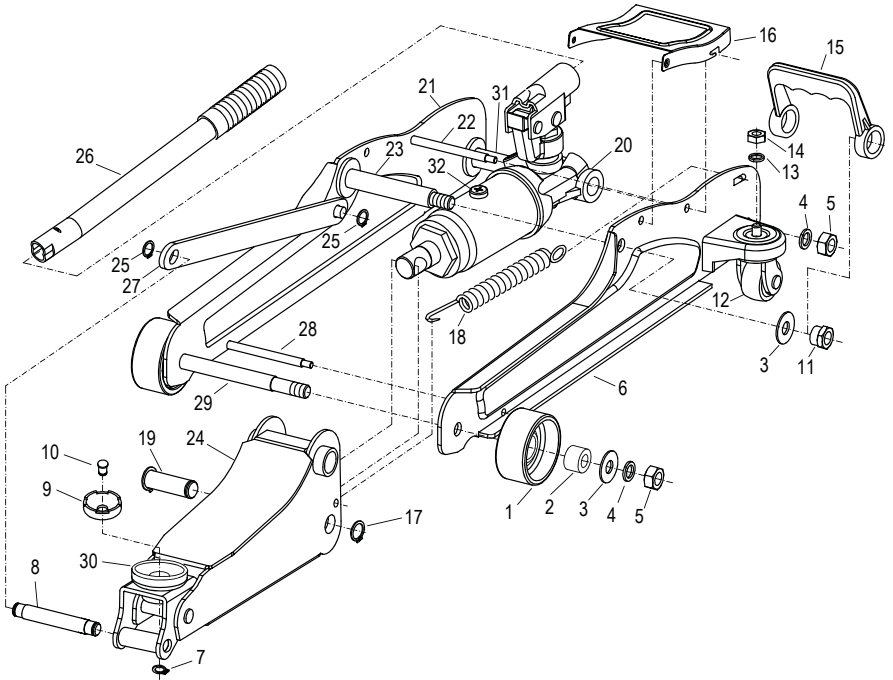
The manufacturer does not warrant and specially disclaims any warranty, whether express or implied, of fitness for a particular purpose, other than the warranty contained therein. The manufacturer specifically disclaims any liability and shall not be liable for any consequential or incidental loss or damage, including but not limited to any labor/expense costs involved in the replacement or repair of said product.

Contact the Customer Service at 1-888-HD-HUSKY or visit www.huskytools.com.

Specifications

Model	Jack Dimensions	Max Load Capacity	Lifting Range	Saddle Dimensions	Jack Weight
2-1/2 Ton Quick Contact Low Profile Jack	22.25 in. x 8.625 in. x 5.709 in.	5,000 lbs	3.375 to 14.375 in.	2.2 in. diameter	33 lbs

Package Contents



Part	Description	QTY
1	Front Wheel	2
2	Bush	2
3	Flat Washer	4
4	Spring Washer No. 12	4
5	Nut M12	4
6	Left Frame	1
7	"C" Ring No. 13	1
8	Shaft	1
9	Saddle	1
10	Saddle Pin	1
11	Nut	2
12	Rear Wheel Set	2
13	Spring Washer No. 8	2
14	Nut M8	2
15	Carrying Handle	1
16	Cover	1

Part	Description	QTY
17	"C" Ring No. 20	2
18	Retaining Spring	1
19	Middle Shaft	1
20	Power Unit	1
21	Right Frame	1
22	Shaft	1
23	Lifting Arm Axis	1
24	Lifting Arm Assembly	1
25	"C" Ring No. 12	4
26	Handle	1
27	Link Rod	2
28	Shaft	1
29	Front Wheel Axis	1
30	Saddle Base	1
31	Base Axis	1
32	Oil Fill Plug	1

Operation

HOW IT WORKS

The jack power unit consists of plunger, plunger cavity, hydraulic oil reservoir, cylinder and ram.

An upward stroke of the jack handle draws oil from the reservoir into the plunger cavity. Hydraulic pressure closes a valve that keeps oil in the cavity.

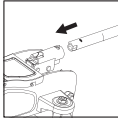
A downward stroke of the jack handle forces oil into the cylinder, pushing out the ram and raising the saddle. NOTE: As a protective feature, when the ram reaches maximum extension, sufficient oil passes back into the reservoir to prevent an overextended ram stroke and possible jack damage.

When the release valve is open, oil flows back into the reservoir, causing the ram to retract, lowering the saddle.

TO ATTACH THE HANDLE

1 Inserting the Handle

- Insert lower handle into handle socket



2 Fitting Pin

- Pin on lower end of handle fits into handle socket slot.

TO RAISE AND LOWER THE VEHICLE

1 Placing the Vehicle in Park

- Place vehicle in PARK (in gear on standard transmissions) and apply emergency brake.



2 Closing the Jack

- Close the jack release valve by turning the handle clockwise.



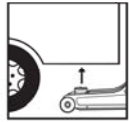
3 Blocking the Wheels

- Block the vehicle wheels not being raised.



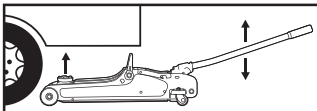
4 Centering the Jack

- Center jack under load so that saddle contacts load firmly and will not slip. (Refer to vehicle manufacturer's owner's manual to locate the approved lifting points on the vehicle).



5 Pumping the Jack Handle

- Pump the jack handle until saddle nears contact with vehicle. Check to see that the saddle is centered and will contact the lifting point firmly.



6 Lifting the Vehicle

- Continue to pump the jack handle to lift the vehicle to a height slightly above the jack stands or other supports. Then turn the handle very slowly counterclockwise to open the release valve to lower the vehicle onto the supports.



Operation (Continued)



WARNING: To avoid pinching or crushing hands or feet, ALWAYS keep them clear of the jack hinge and ground contact area when lowering the vehicle. The jack is a lifting device only. DO NOT move or dolly the vehicle while it is on the jack

Care and Cleaning

INSPECTION

The product shall be maintained according to these instructions.

You may not alter this product in any way.

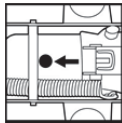
1. Before using, a thorough inspection shall be made on the jack. Look for cracks in the welds, bent, damaged, loose, worn or missing parts.
2. Inspect according to this manual ONLY.
3. If the jack has been subjected to abnormal load or shock (abuse), perform an immediate inspection. Take the product to a local customer service representative for an authorized inspection before use.

Maintenance

TO ADD HYDRAULIC JACK OIL

1 Positioning on Level Ground

- With saddle fully lowered and the jack on level ground, unscrew and remove oil fill plug.



2 Removing Plug

- Unscrew and remove oil fill plug.



3 Filling the Oil Reservoir

- Using a good grade of SAE 5W hydraulic jack oil, fill the oil reservoir to the bottom of the threads in the oil filler hole.

4 Replacing the Plug

- Replace and tighten the oil fill plug. Do not allow dirt or debris to enter the system.



Maintenance (Continued)

TO REPLACE HYDRAULIC JACK OIL

1 Opening the Release Valve

- Open the release valve by turning handle counterclockwise.



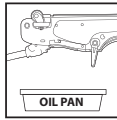
2 Removing the Plug

- Remove oil fill plug.



3 Draining the Old Oil

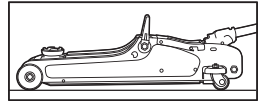
- Turn entire jack over so that all of the old oil will drain out of the oil fill hole.



Note: when draining oil, use a proper container and always follow all local and state waste disposal guidelines.

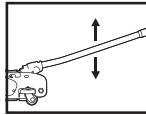
4 Leveling the Jack

- After all of the old oil has drained out of the jack, turn the jack back over to a level position fill with new oil.



5 Releasing Pressurized Air

- Rapidly pump jack handle 6 to 8 strokes to release any pressurized air.



6 Filling with New Oil

- Using a good grade of SAE 5W hydraulic jack oil, fill the reservoir to the bottom of the threads in the oil fill hole. Replace and tighten oil fill plug. Do not allow dirt and debris to enter the system.



IMPORTANT: When adding or replacing oil, ALWAYS use a good grade of (SAE 5W) hydraulic jack oil. NEVER use brake fluid, alcohol, glycerin, detergent motor oil or dirty oil of any kind. Improper oil usage will cause serious internal damage to jack.

LUBRICATION

1 Oil When Needed

- Use a good grade of lubricating oil on all moving parts when needed (arm linkages, front wheels and rear casters).

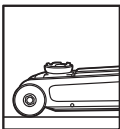


Maintenance (Continued)

STORING

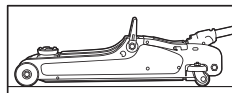
1 Place Saddle in the Lowest Position

- When jack is not in use, or when storing the jack, ALWAYS have the saddle in its lowest (down) position.



2 Store in a Level Position

- It is recommended the jack be stored in a dry location with all wheels touching the ground on a relatively level position.



RUST PREVENTION

Check ram and pump piston every two months (or sooner, based on usage) for any signs of rust or corrosion. Clean as needed and wipe down with an oil cloth.

Troubleshooting

Problem	Cause	Solution
Jack will not lower completely	<ol style="list-style-type: none">1. Air in hydraulic system2. Release valve stuck	<ol style="list-style-type: none">1. Purge air from hydraulic system2. Transfer weight load and clean valve
Jack will not hold weight	<ol style="list-style-type: none">1. Release valve in open position.	<ol style="list-style-type: none">1. Close release valve tightly
Jack will not lift to full height	<ol style="list-style-type: none">1. Oil level is low2. Air in hydraulic system	<ol style="list-style-type: none">1. Fill to recommended level2. Purge air from hydraulic system
Weak lifting	<ol style="list-style-type: none">1. Air in hydraulic system2. Dirty Oil3. Release valve not completely closed	<ol style="list-style-type: none">1. Purge air from hydraulic system2. Change oil. Use SAE 5W3. Close release valve tightly
Jack will not lift load	<ol style="list-style-type: none">1. Excessive weight2. Release valve in open position3. Oil level low	<ol style="list-style-type: none">1. Decrease weight or change to higher capacity jack2. Turn valve clockwise and tighten3. Fill to recommended level



Questions, problems, missing parts?
Before returning to the store,
call Husky Customer Service
8 a.m.-6 p.m., EST, Monday-Friday

1-888-HD-HUSKY

WWW.HUSKYTOOLS.COM

Retain this manual for future use.

X0000000000-A