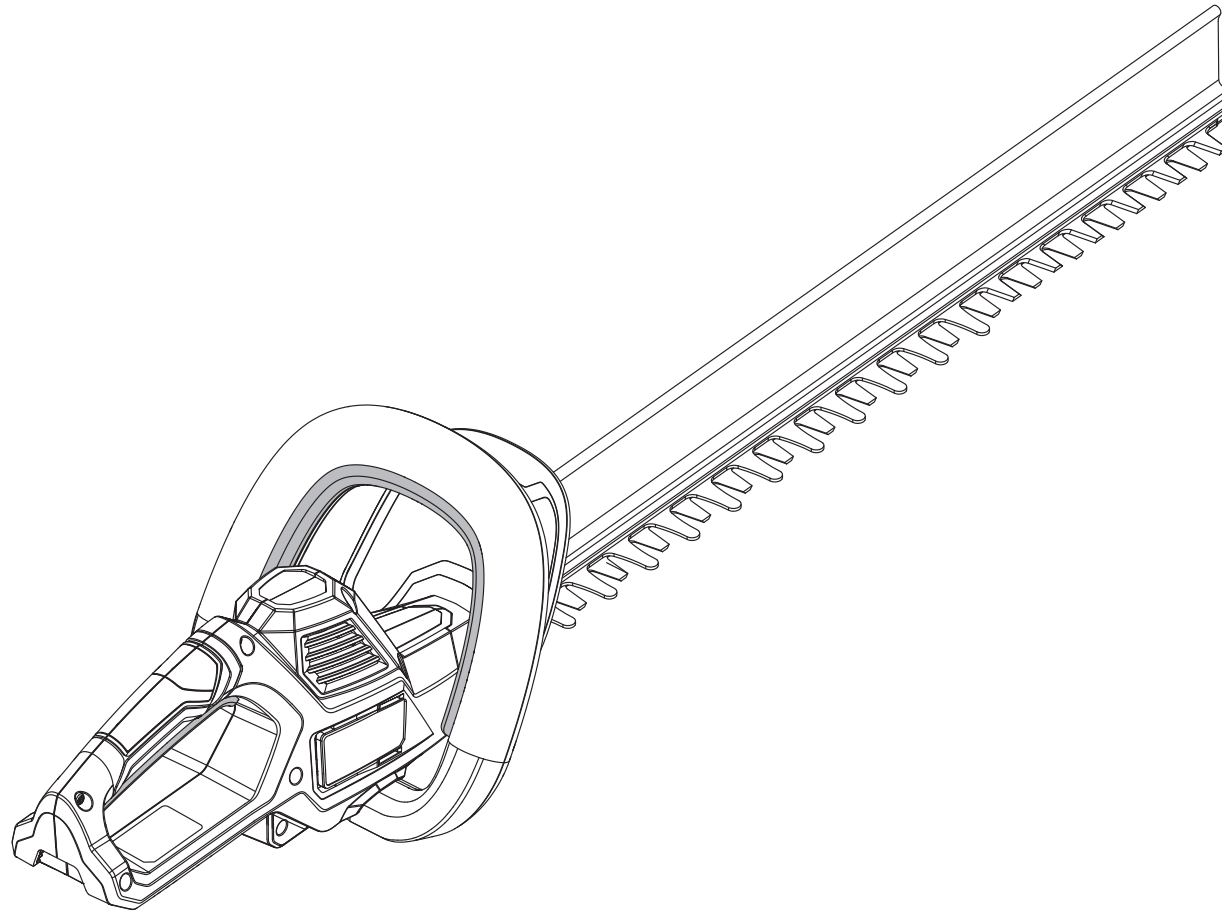


# REPAIR SHEET

BRAND <b>RYOBI</b>		DESCRIPTION <b>40 Volt Hedge Trimmer</b>
MODEL NO. <b>RY40HG01</b>	MFG. NO. <b>106712001</b>	

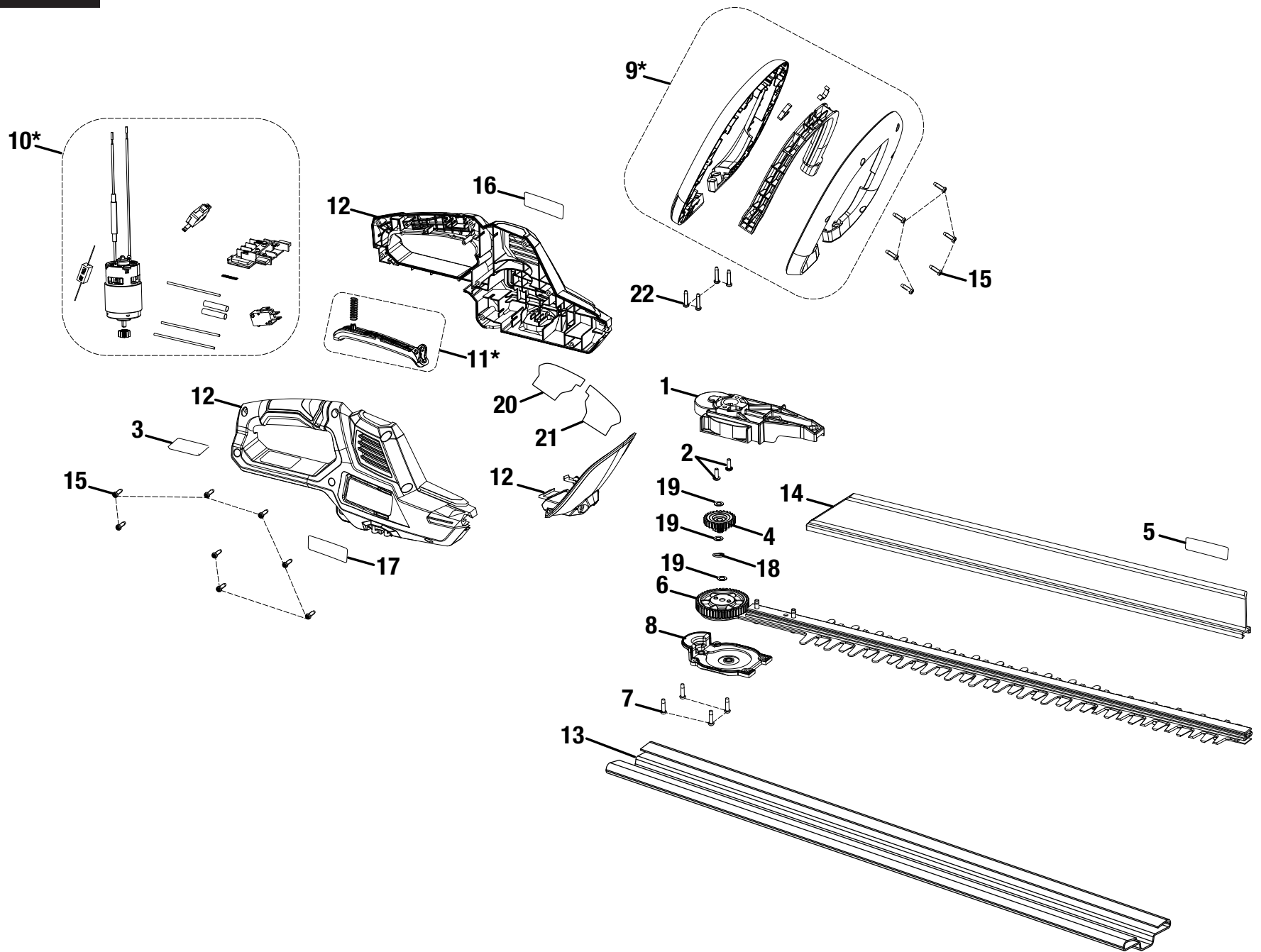


**TTI OUTDOOR POWER EQUIPMENT, INC.**

P.O. Box 1288, Anderson, SC 29622 ■ 1-800-525-2579 ■ [www.ryobitools.com](http://www.ryobitools.com)

9-06-24 (Rev:02)

*The model number and manufacturing location will be found on a label attached to the product. Always mention this information in all communications regarding this product and when ordering parts.*





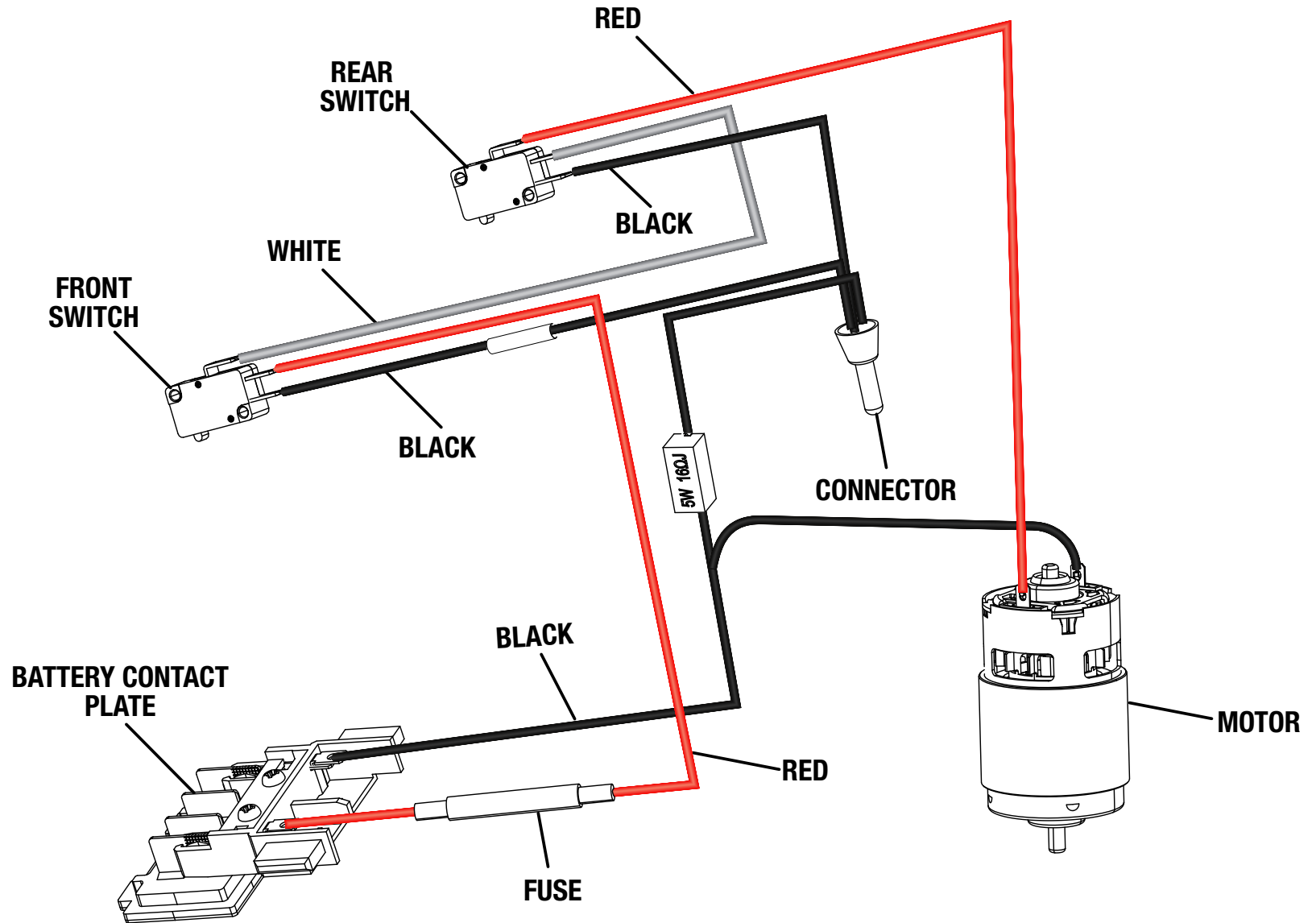
# RY40HG01

## PARTS LIST

KEY NO.	PART NO.	DESCRIPTION	QTY.
1	311065004	Gear Case	1
2	660137001	Screw (M4 x 12 mm, Pan Hd.)	2
3	941263354	QR Label	1
4	610114001	Center Gear	1
5	941769001	Hedge Sweep Warning Label	1
6	205111003	Blade Assembly	1
7	660208052	Screw (M4 x 16 mm, Pan Hd.)	4
8	311066002	Gear Case Cover	1
9*	205423003	Front Handle Assembly	1
10*	205100013	Motor, Switches and Contact Plate Assembly	1
11*	205488003	Rear Handle Trigger Assembly	1
12	205107002	Handle Housing and Guard Assembly (Inc. Key Nos. 3, 16-17 & 20-21)	1

KEY NO.	PART NO.	DESCRIPTION	QTY.
13	528341003	Scabbard	1
14	205931002	Hedge Sweep Assembly (Inc. Key No. 5)	1
15	661817001	Screw (M4 x 13.5 mm, T15 Torx Pan Hd.)	14
16	940705491	Ryobi Logo Label	1
17	941263351	Data Label	1
18	670704001	Retaining Ring	1
19	670914001	Washer	3
20	941263393	Icon/Danger Label (Right)	1
21	941263394	Icon/Danger Label (Left)	1
22	661864007	Screw (M4 x 18 mm, T15 Torx Pan Hd.)	4
	<b>Not Shown:</b>		
	999000313	Operator's Manual	

*\* Part comes as a complete assembly. Individual components of an assembly will not be offered separately, unless listed in the parts list.*



**WIRING DIAGRAM**